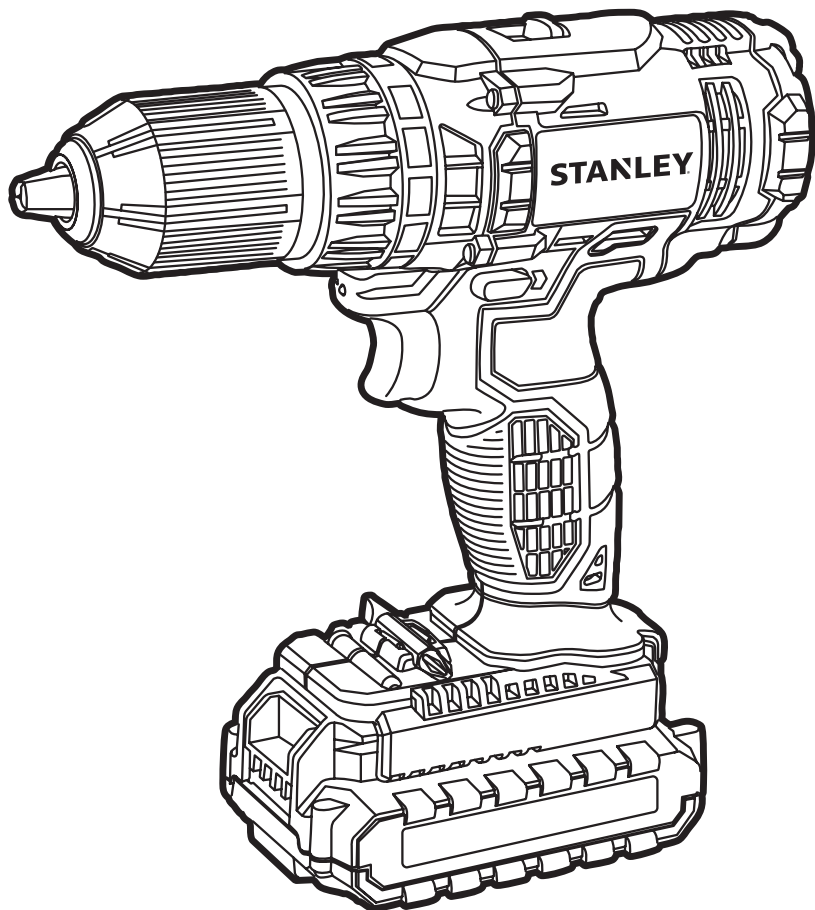
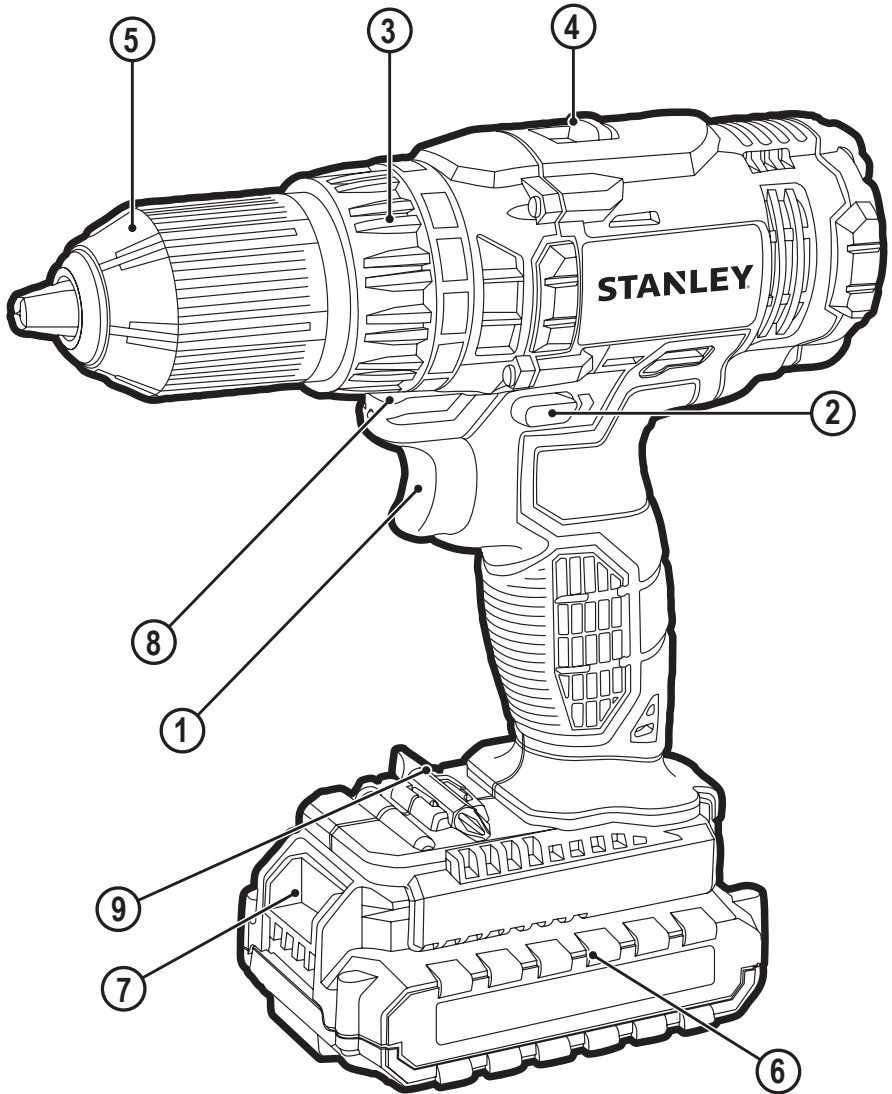


STANLEY®

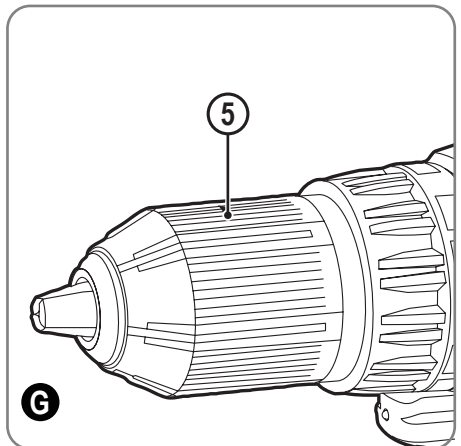
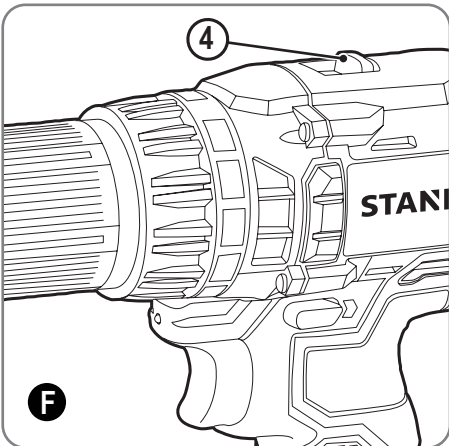
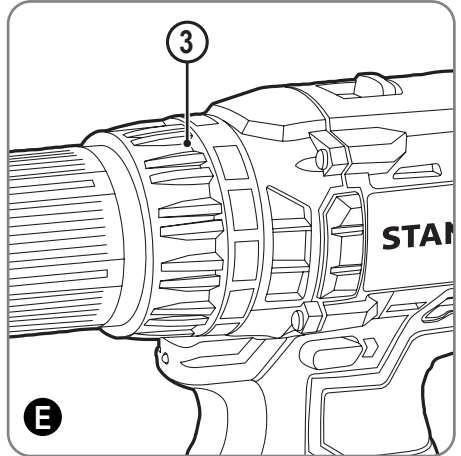
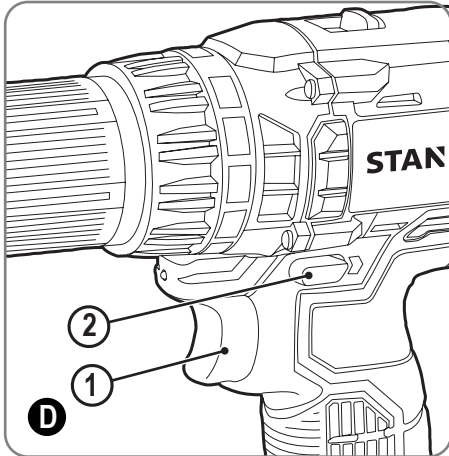
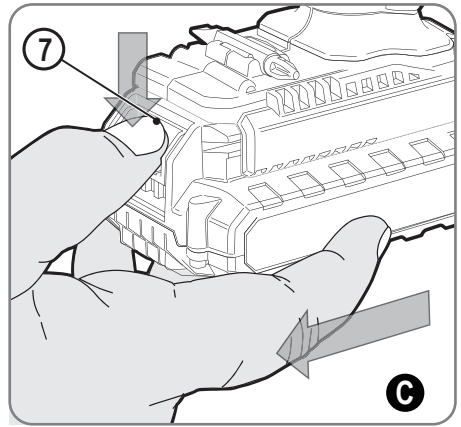
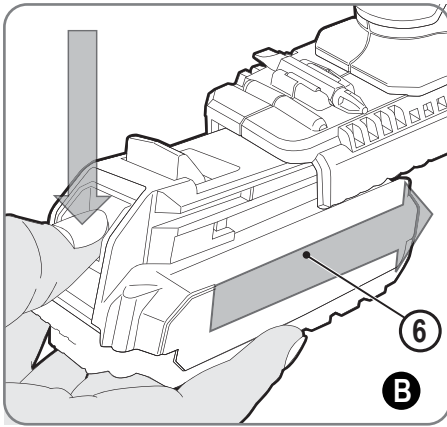


SCD20
SCD201

| | | |
|-----------|------|----|
| English | Page | 04 |
| French | Page | 13 |
| Russian | Page | 22 |
| Ukrainian | Page | 35 |
| Turkish | Page | 46 |
| العربية | Page | 62 |



A



INTENDED USE

Your STANLEY drill/driver SCD20 - SCD201 has been designed for screwdriving applications and for drilling in wood, metal and plastics. This tool is intended for professional use.

SAFETY INSTRUCTIONS**General power tool safety warnings**

WARNING! Read all safety warnings, instructions, illustrations and specifications provided with this power tool. Failure to follow all instructions listed below may result in electric shock, fire and/or serious injury.

Save all warnings and instructions for future reference.

The term "power tool" in all of the warnings listed below refers to your mains operated (corded) power tool or battery operated (cordless) power tool.

1. Work area safety

- a. **Keep work area clean and well lit.** Cluttered or dark areas invite accidents.
- b. **Do not operate power tools in explosive atmospheres, such as in the presence of flammable liquids, gases or dust.** Power tools create sparks which may ignite the dust or fumes.
- c. **Keep children and bystanders away while operating a power tool.** Distractions can cause you to lose control.

2. Electrical safety

- a. **Power tool plugs must match the outlet. Never modify the plug in any way. Do not use any adapter plugs with earthed (grounded) power tools.** Unmodified plugs and matching outlets will reduce risk of electric shock.
- b. **Avoid body contact with earthed or grounded surfaces such as pipes, radiators, ranges and refrigerators.** There is an increased risk of electric shock if your body is earthed or grounded.
- c. **Do not expose power tools to rain or wet conditions.** Water entering a power tool will increase the risk of electric shock.
- d. **Do not abuse the cord. Never use the cord for carrying, pulling or unplugging the power tool. Keep cord away from heat, oil, sharp edges or moving parts.** Damaged or entangled cords increase the risk of electric shock.
- e. **When operating a power tool outdoors, use an extension cord suitable for outdoor use.** Use of a cord suitable for outdoor use reduces the risk of electric shock.
- f. **If operating a power tool in a damp location is unavoidable, use a residual current device (RCD) protected supply.** Use of an RCD reduces the risk of electric shock.

3. Personal safety

- a. **Stay alert, watch what you are doing and use common sense when operating a power tool. Do not use a power tool while you are tired or under the influence of drugs, alcohol or medication.** A moment of inattention while operating power tools may result in serious personal injury.
- b. **Use personal protective equipment. Always wear eye protection.** Protective equipment such as a dust mask, non-skid safety shoes, hard hat, or hearing protection used for appropriate conditions will reduce personal injuries.

- c. **Prevent unintentional starting. Ensure the switch is in the off-position before connecting to power source and/or battery pack, picking up or carrying the tool.** Carrying power tools with your finger on the switch or energising power tools that have the switch on invites accidents.
 - d. **Remove any adjusting key or wrench before turning the power tool on.** A wrench or a key left attached to a rotating part of the power tool may result in personal injury.
 - e. **Do not overreach. Keep proper footing and balance at all times.** This enables better control of the power tool in unexpected situations.
 - f. **Dress properly. Do not wear loose clothing or jewellery. Keep your hair and clothing away from moving parts.** Loose clothes, jewellery or long hair can be caught in moving parts.
 - g. **If devices are provided for the connection of dust extraction and collection facilities, ensure these are connected and properly used.** Use of dust collection can reduce dust-related hazards.
 - h. **Do not let familiarity gained from frequent use of tools allow you to become complacent and ignore tool safety principles.** A careless action can cause severe injury within a fraction of a second.
- 4. Power tool use and care**
- a. **Do not force the power tool. Use the correct power tool for your application.** The correct power tool will do the job better and safer at the rate for which it was designed.
 - b. **Do not use the power tool if the switch does not turn it on and off.** Any power tool that cannot be controlled with the switch is dangerous and must be repaired.
 - c. **Disconnect the plug from the power source and/or remove the battery pack, if detachable from the power tool before making any adjustments, changing accessories, or storing power tools.** Such preventive safety measures reduce the risk of starting the power tool accidentally.
 - d. **Store idle power tools out of the reach of children and do not allow persons unfamiliar with the power tool or these instructions to operate the power tool.** Power tools are dangerous in the hands of untrained users.
 - e. **Maintain power tools and accessories. Check for misalignment or binding of moving parts, breakage of parts and any other condition that may affect the power tools operation. If damaged, have the power tool repaired before use.** Many accidents are caused by poorly maintained power tools.
 - f. **Keep cutting tools sharp and clean.** Properly maintained cutting tools with sharp cutting edges are less likely to bind and are easier to control.
 - g. **Use the power tool, accessories and tool bits etc. in accordance with these instructions, taking into account the working conditions and the work to be performed.** Use of the power tool for operations different from those intended could result in a hazardous situation.
 - h. **Keep handles and grasping surfaces dry, clean and free from oil and grease.** Slippery handles and grasping surfaces do not allow for safe handling and control of the tool in unexpected situations.

5. Battery tool use and care

- Recharge only with the charger specified by the manufacturer.** A charger that is suitable for one type of battery pack may create a risk of fire when used with another battery pack.
 - Use power tools only with specifically designated battery packs.** Use of any other battery packs may create a risk of injury and fire.
 - When battery pack is not in use, keep it away from other metal objects, like paper clips, coins, keys, nails, screws, or other small metal objects, that can make a connection from one terminal to another.** Shorting the battery terminals together may cause burns or a fire.
 - Under abusive conditions, liquid may be ejected from the battery; avoid contact. If contact accidentally occurs, flush with water. If liquid contacts eyes, additionally seek medical help.** Liquid ejected from the battery may cause irritation or burns.
- ## 6. Service
- Have your power tool serviced by a qualified repair person using only identical replacement parts.** This will ensure that the safety of the power tool is maintained.

ADDITIONAL POWER TOOL SAFETY WARNINGS



WARNING! Additional safety warnings for drills/screwdrivers

- **Wear ear protectors when impact drilling.** Exposure to noise can cause hearing loss.
- **Use auxiliary handles supplied with the tool.** Loss of control can cause personal injury.
- **Hold power tool b–y insulated gripping surfaces when performing an operation where the cutting accessory may contact hidden wiring.** Cutting accessory contacting a "live" wire may make exposed metal parts of the power tool "live" and could give the operator an electric shock.
- **Hold power tool by insulated gripping surfaces, when performing an operation where the fastener may contact hidden wiring.** Fasteners contacting a "live" wire may make exposed metal parts of the power tool "live" and could give the operator an electric shock.
- **Use clamps or another practical way to secure and support the workpiece to a stable platform.** Holding the work by hand or against your body leaves it unstable and may lead to loss of control.
- Before drilling into walls, floors or ceilings, check for the location of wiring and pipes.
- Avoid touching the tip of a drill bit just after drilling, as it may be hot.
- The intended use is described in this instruction manual. The use of any accessory or attachment or performance of any operation with this tool other than those recommended in this instruction manual may present a risk of personal injury and/or damage to property.

SAFETY OF OTHERS

- This tool is not intended for use by persons (including children) with reduced physical, sensory or mental capabilities, or lack of experience and knowledge, unless they have been given supervision or instruction concerning use of the tool by a person responsible for their safety.
- Children should be supervised to ensure that they do not play with the appliance.

Residual risks

Additional residual risks may arise when using the tool which may not be included in the enclosed safety warnings. These risks can arise from misuse, prolonged use etc.

Even with the application of the relevant safety regulations and the implementation of safety devices, certain residual risks can not be avoided. These include:

- Injuries caused by touching any rotating/moving parts.
- Injuries caused when changing any parts, blades or accessories.
- Injuries caused by prolonged use of a tool. When using any tool for prolonged periods ensure you take regular breaks.
- Impairment of hearing.
- Health hazards caused by breathing dust developed when using your tool (example:- working with wood, especially oak, beech and MDF.)

ELECTRICAL SAFETY



Your charger is double insulated; therefore no earth wire is required. Always check that the mains voltage corresponds to the voltage on the rating plate. Never attempt to replace the charger unit with a regular mains plug.

- If the supply cord is damaged, it must be replaced by the manufacturer or an authorised STANLEY Service Centre in order to avoid a hazard.

ADDITIONAL SAFETY INSTRUCTIONS FOR BATTERIES AND CHARGERS

Batteries

- Never attempt to open for any reason.
- Do not expose the battery to water.
- Do not store in locations where the temperature may exceed 40 °C.
- Charge only at ambient temperatures between 10 °C and 40 °C.
- Charge only using the charger provided with the tool.
- When disposing of batteries, follow the instructions given in the section "Protecting the environment".



Do not attempt to charge damaged batteries.

Chargers

- Use your STANLEY charger only to charge the battery in the tool with which it was supplied. Other batteries could burst, causing personal injury and damage.

- Never attempt to charge non-rechargeable batteries.
- Have defective cords replaced immediately.
- Do not expose the charger to water.
- Do not open the charger.
- Do not probe the charger.



The charger is intended for indoor use only.



Read the instruction manual before use.

LABELS ON TOOL

The following symbols are shown on the tool along with the date code:



WARNING! To reduce the risk of injury, the user must read the instruction manual.



Always wear safety goggles



Always wear safety hearing protection

Position of date code

The Date Code, which also includes the year of manufacture, is printed into the housing.

Example:

2017 XX JN

Year of manufacturing

PACKAGE CONTENTS

The package contains:

- 1 Drill/driver
 - 1 Charger
 - 2 Batteries (C2/S2/D2) or 1 Battery (C1/S1/D1)
 - 1 Instruction manual
- Check for damage to the tool, parts or accessories which may have occurred during transport.
 - Take the time to thoroughly read and understand this manual prior to operation.

FEATURES (Fig A)

This appliance includes some or all of the following features.

1. Trigger switch
2. Forward/Reverse button
3. Torque adjust collar
4. Dual range gear selector
5. Keyless chuck
6. Battery
7. Battery release button
8. LED work light
9. Bit tip holder

USE

WARNING! Let the tool work at its own pace. Do not overload.

CHARGING THE BATTERY

The battery needs to be charged before first use and whenever it fails to produce sufficient power on jobs that were easily done before. The battery may become warm while charging; this is normal and does not indicate a problem.

WARNING! Do not charge the battery at ambient temperatures below 10 °C or above 40 °C. Recommended charging temperature: approx. 24 °C

NOTE: The charger will not charge a battery if the cell temperature is below approximately 10 °C or above 40 °C.

The battery should be left in the charger and the charger will begin to charge automatically when the cell temperature warms up or cools down.

- Plug the charger into an appropriate outlet before inserting the battery pack.
- Insert the battery pack into the charger.



The green LED will flash indicating that the battery is being charged.



The completion of charge is indicated by the green LED remaining on continuously.

The pack is fully charged and may be used at this time or left in the charger..

WARNING! Recharge discharged batteries as soon as possible after use or battery life may be greatly diminished.

Charger diagnostics

This charger is designed to detect certain problems that can arise with the battery packs or the power source. Problems are indicated by one LED flashing in different patterns.



Bad battery

The charger can detect a weak or damaged battery. The red LED flashes in the pattern indicated on the label. If you see this bad battery blink pattern, do not continue to charge the battery. Return it to a service centre or a collection site for recycling



Hot/cold pack delay

When the charger detects a battery that is excessively hot or excessively cold, it automatically starts a Hot/Cold Pack delay, suspending charging until the battery has normalised. After this happens, the charger automatically switches to the Pack Charging mode. This feature ensures maximum battery life. The red LED flashes in the pattern indicated on the label when the Hot/Cold pack delay is detected.



Problem power line

When the charger is used with some portable power sources such as generators or sources that convert DC to AC, the charger may temporarily suspend operation. The LED flashes in the pattern indicated on the label. This indicates that the power source is out of limits..

Leaving the battery in the charger

The charger and battery pack can be left connected with the LED glowing indefinitely. The charger will keep the battery pack fresh and fully charged.

Electronic protection system

Li-Ion batteries are designed with an Electronic Protection System that will protect the battery against overloading, overheating or deep discharge. The tool will automatically turn off if the Electronic Protection System engages. If this occurs, place the Li-Ion battery on the charger until it is fully charged.

IMPORTANT CHARGING NOTES

- Longest life and best performance can be obtained if the battery pack is charged when the air temperature is between (18° - 24°C). DO NOT charge the battery pack in an air temperature below (+4.5°C), or above (+40.5°C). This is important and will prevent serious damage to the battery pack.
- The charger and battery pack may become warm to touch while charging. This is a normal condition, and does not indicate a problem. To facilitate the cooling of the battery pack after use, avoid placing the charger or battery pack in a warm environment such as in a metal shed, or an uninsulated trailer.
- If the battery pack does not charge properly:
 - Check current at receptacle by plugging in a lamp or other appliance.
 - Check to see if receptacle is connected to a light switch which turns power off when you turn out the lights.
 - Move charger and battery pack to a location where the surrounding air temperature is approximately (18° - 24°C). If charging problems persist, take the tool, battery pack and charger to your local STANLEY service center.
- The battery pack should be recharged when it fails to produce sufficient power on jobs which were easily done previously.
- DO NOT CONTINUE to use under these conditions. Follow the charging procedure.
- You may also charge a partially used pack whenever you desire with no adverse affect on the battery pack.

NOTE: Make sure your battery pack (6) is fully charged.

To install the battery pack into the tool - (Fig B)

- Align the battery pack with the rails inside the handle.
- Slide it firmly into place until you hear the lock snap into place.

To remove the battery pack from the tool - (Fig C)

- Press the battery release button (7) and firmly pull the battery pack out of the tool handle.
- Insert battery pack into the charger as described in the charger section of this manual.

Trigger switch & forward/reverse button - (Fig D)

- The drill is turned ON and OFF by pulling and releasing the trigger switch (1) shown in Fig. D.

The farther the trigger is depressed, the higher the speed of the drill.

- A forward/reverse control button (2) determines the rotational direction of the tool and also serves as a lock off button.
- To select forward rotation, release the trigger switch and depress the forward/reverse control button on the right side of the tool.
- To select reverse, depress the forward/reverse control button on the left side of the tool.
- The center position of the control button locks the tool in the off position. When changing the position of the control button, be sure the trigger is released.

Adjusting torque control - (Fig E)

This tool is fitted with a torque adjustment collar (3) to select the operating mode and to set the torque for tightening screws. Large screws and hard workpiece materials require a higher torque setting than small screws and soft workpiece materials.

- For drilling in wood, metal and plastics, set the collar to the drilling position symbol.
- For screwdriving, set the collar to the desired setting. If you do not yet know the appropriate setting, proceed as follows:
 - Set the collar to the lowest torque setting.
 - Tighten the first screw.
 - If the clutch ratchets before the desired result is achieved, increase the collar setting and continue tightening the screw.
 - Repeat until you reach the correct setting.
 - Use this setting for the remaining screws.

Dual range switch - (Fig F)

The dual range feature - of your drill allows you to shift gears for greater versatility.

- To select low speed, high torque setting (position 1), turn tool off and permit to stop. Slide gear shifter button (4) away from the chuck.
- To select the high speed, low torque setting (position 2), turn tool off and permit to stop. Slide gear shifter button back toward the chuck.

NOTE: Do not change gears when tool is running. If you are having trouble changing gears, make sure that the dual range gear button is either completely pushed forward or completely pushed back.

Keyless chuck - (Fig G)

WARNING! Make certain the battery pack is removed to prevent tool actuation before installing or removing accessories. To insert a drill bit or other accessory:

- Grasp the chuck (5) and rotate it in the counterclockwise direction, as viewed from the chuck end.
- Insert the bit or other accessory fully into the chuck, and tighten securely by rotating the chuck in the clockwise direction as viewed from the chuck end.

WARNING! Do not attempt to tighten or loosen drill bits (or any other accessory) by gripping the front part of the chuck and turning the tool on. Damage to the chuck and personal injury may occur when changing accessories.

Screw driving

- For driving fasteners, the forward/reverse button should be pushed to the left.
- Use reverse (button pushed to the right) for removing fasteners.

NOTE: When moving from forward to reverse, or vice versa, always release the trigger switch first.

Drilling

- Use sharp drill bits only.
- Support and secure work properly, as instructed in the Safety Instructions.
- Use appropriate and required safety equipment, as instructed in the Safety Instructions.
- Secure and maintain work area, as instructed in the Safety Instructions.
- Run the drill very slowly, using light pressure, until the hole is started enough to keep the drill bit from slipping out of it.
- Apply pressure in a straight line with the bit. Use enough pressure to keep the bit biting but not so much as to stall the motor or deflect the bit.
- Hold the drill firmly with two hands, one hand on the handle, and the other gripping the bottom around the battery area or the auxiliary handle if provided.
- **DO NOT CLICK THE TRIGGER OF A STALLED DRILL OFF AND ON IN AN ATTEMPT TO START IT. DAMAGE TO THE DRILL CAN RESULT.**
- Minimize stalling on breakthrough by reducing pressure and slowly drilling through the last part of the hole.
- Keep the motor running while pulling the bit out of a drilled hole. This will help reduce jamming.
- Make sure switch turns drill on and off.

Drilling in wood

Holes in wood can be made with the same twist drill bits used for metal or with spade bits.

These bits should be sharp and should be pulled out frequently when drilling to clear chips from the flutes.

Drilling in metal

Use a cutting lubricant when drilling metals. The exceptions are cast iron and brass which should be drilled dry. The cutting lubricants that work best are sulphurized cutting oil.

LED work light

When drill is activated by pulling the trigger switch (1), the integrated LED work light (8) will automatically illuminate the work area.

NOTE: The work light is for lighting the immediate work surface and is not intended to be used as a flashlight.

Bit tip holder

A bit storage slot (9) is built into the base of the tool.

Troubleshooting

| Problem | Possible cause | Possible solution |
|--|---|---|
| Unit will not start. | Battery pack not installed properly. Battery pack not charged. | Check battery pack installation. Check battery pack charging requirements |
| Unit starts immediately upon inserting battery | The switch has been left in the "on" position. | The switch must be moved to "off" to prevent the tool from immediately starting when battery is inserted. |
| Battery pack will not charge. | Battery pack not inserted into charger. Charger not plugged in. Surrounding air temperature too hot or too cold. | Insert battery pack into charger until LED lights. Plug charger into a working outlet. Move charger and battery pack to a surrounding air temperature of above 40 degrees F (45°C) or below 105 degrees F (+40.5°C) |
| Unit shuts off abruptly. | Battery pack has reached its maximum thermal limit. Out of charge. (To maximize the life of the battery pack it is designed to shutoff abruptly when the charge is depleted) | Allow battery pack to cool down. Place on charger and allow to charge. |

MAINTENANCE

Your STANLEY tool has been designed to operate over a long period of time with a minimum of maintenance. Continuous satisfactory operation depends upon proper tool care and regular cleaning.

Your charger does not require any maintenance apart from regular cleaning.

WARNING! Before performing any maintenance on the tool, remove the battery from the tool. Unplug the charger before cleaning it.

- Regularly clean the ventilation slots in your tool and charger using a soft brush or dry cloth.
- Regularly clean the motor housing using a damp cloth. Do not use any abrasive or solvent-based cleaner.
- Regularly open the chuck and tap it to remove any dust from the interior.

PROTECTING THE ENVIRONMENT



Separate collection. This product must not be disposed of with normal household waste.

Should you find one day that your STANLEY product needs replacement, or if it is of no further use to you, do not dispose of it with household waste. Make this product available for separate collection.



STANLEY provides a facility for the collection and recycling of STANLEY products once they have reached the end of their working life. To take advantage of this service please return your product to any authorised repair agent who will collect them on our behalf.

You can check the location of your nearest authorised repair agent by contacting your local STANLEY office at the address indicated in this manual. Alternatively, a list of authorised STANLEY repair agents and full details of our after-sales service and contacts are available on the Internet at: www.2helpU.com.

Batteries



STANLEY batteries can be recharged many times. At the end of their useful life, discard batteries with due care for our environment:

- Run the battery down completely, then remove it from the tool.
- NiCd, NiMH and Li-Ion batteries are recyclable. Take them to any authorized repair agent or a local recycling station.

NOTES

STANLEY's policy is one of continuous improvement to our products and as such, we reserve the right to change product specifications without prior notice. Standard equipment and accessories may vary by country. Product specifications may differ by country.

Complete product range may not be available in all countries. Contact your local STANLEY dealers for range availability

SERVICE INFORMATION

STANLEY offers a full network of company-owned and authorized service locations. All STANLEY Service Centers are staffed with trained personnel to provide customers with efficient and reliable power tool service. For more information about our authorized service centers and if you need technical advice, repair, or genuine factory replacement parts, contact the STANLEY location nearest you.

TECHNICAL DATA

| | | SCD20 | SCD201 |
|------------------------------|-------------------|--------------|--------------|
| Voltage | V_{DC} | 18V | 18V |
| No-load speed | min^{-1} | 0-350/0-1500 | 0-350/0-1500 |
| Max. Torque | Nm | 45 | 45 |
| Chuck capacity | mm | 13 | 13 |
| Max Drilling capacity | | | |
| Wood | mm | 35 | 35 |
| Steel | mm | 13 | 13 |
| Weight | kg | 1.6 | 1.6 |

| Charger | | SC201 | SC202 |
|---------------------|----------|---------|---------|
| Input voltage | V_{AC} | 220-240 | 220-240 |
| Output voltage | V_{DC} | 18 | 18 |
| Current | mA | 1000 | 2000 |
| Approx. charge time | mins | 80-240 | 40-120 |

| Battery | | SB20C | SB20S | SB20D | SB20M |
|----------|----------|--------|--------|--------|--------|
| Voltage | V_{AC} | 18 | 18 | 18 | 18 |
| Capacity | Ah | 1.3 | 1.5 | 2.0 | 4.0 |
| Type | | Li-Ion | Li-Ion | Li-Ion | Li-Ion |

Level of sound pressure according to EN 60745:

| | | |
|---|-------|----|
| Sound pressure (L_{pA}) | dB(A) | 72 |
| Sound pressure uncertainty (K_{pA}) | dB(A) | 3 |
| Sound power (L_{WA}) | dB(A) | 83 |
| Sound power uncertainty (K_{WA}) | dB(A) | 3 |

Vibration total values (triax vector sum) according to EN 60745:

| | | |
|--|----------------|-----|
| Drilling into metal (a_{hD}) = | m/s^2 | 1.7 |
| Uncertainty (K) = | m/s^2 | 1.5 |
| Screwdriving without impact (a_{hV}) | m/s^2 | 1.0 |
| Uncertainty (K) = | m/s^2 | 1.5 |

VIBRATION

The declared vibration emission values stated in the technical data and the declaration of conformity have been measured in accordance with a standard test method provided by EN 60745 and may be used for comparing one tool with another. The declared vibration emission value may also be used in a preliminary assessment of exposure.



WARNING! The vibration emission value during actual use of the power tool can differ from the declared value depending on the ways in which the tool is used. The vibration level may increase above the level stated.

When assessing vibration exposure to determine safety measures required by 2002/44/EC to protect persons regularly using power tools in employment, an estimation of vibration exposure should consider, the actual conditions of use and the way the tool is used, including taking account of all parts of the operating cycle such as the times when the tool is switched off and when it is running idle in addition to the trigger time.

EC declaration of conformity
MACHINERY DIRECTIVE



SCD20-SCD201 - Drill / Screwdriver

STANLEY declares that these products described under "technical data" are in compliance with: 2006/42/EC, EN 60745-1:2009 + A11:2010, EN 60745-2-1:2010

These products also comply with Directive 2014/30/EU and 2011/65/EU. For more information, please contact STANLEY at the following address or refer to the back of the manual.

The undersigned is responsible for compilation of the technical file and makes this declaration on behalf of STANLEY.

A handwritten signature in black ink, appearing to read 'R. Laverick', written in a cursive style.

R.Laverick
Engineering Manager
STANLEY , Europe, Egide Walschaertsstraat14-18,
2800 Mechelen, Belgium
03.2017

TWO YEAR WARRANTY

If your STANLEY product becomes defective due to faulty materials or workmanship within 24 months from the date of purchase, STANLEY guarantees to replace all defective parts free of charge or – at our discretion – replace the unit free of charge provided that:

- The product has not been misused and has been used in accordance with the instruction manual;
- The product has been subject to fair wear and tear;
- Repairs have not been attempted by unauthorized persons;
- Proof of purchase is produced;
- The STANLEY product is returned complete with all original components;
- The product hasn't been used for hire purposes.

If you wish to make a claim, contact your seller or check the location of your nearest authorised STANLEY repair agent in the STANLEY catalogue or contact your local STANLEY office at the address indicated in this manual. A list of authorised STANLEY repair agents and full details of our after sales service is available on the internet at: www.2helpU.com

USAGE PRÉVU

Votre perceuse visseuse STANLEY SCD20-SCD201 a été conçue pour les travaux de vissage et de perçage de trous dans le bois, le métal et le plastique. Cet outil est destiné à une utilisation professionnelle.

CONSIGNES DE SÉCURITÉ

Avertissements de sécurité générale concernant l'outil électrique



AVERTISSEMENT ! Lisez tous les avertissements de sécurité, les instructions, les illustrations et les spécifications fournis avec cet outil électrique. Le non-respect de ces instructions peut provoquer un incendie, une électrocution et/ou de graves blessures.

Conservez ces avertissements et ces instructions à titre de référence ultérieure.

Le terme « outil électrique » dans les avertissements fait référence à votre outil électrique alimenté par le secteur (avec cordon d'alimentation) ou fonctionnant sur batterie (sans cordon).

1. Sécurité de l'aire de travail

- a. **Travaillez dans un endroit propre et bien éclairé.** Les zones encombrées et sombres peuvent entraîner des accidents.
- b. **Ne mettez pas en marche votre outil électrique dans un environnement explosif, ou en présence de liquides inflammables, de gaz, ou de poussières.** La mise en marche de l'outil crée des étincelles qui peuvent enflammer les poussières ou vapeurs.
- c. **Éloignez les enfants et les personnes présentes de la zone lorsque l'outil est en fonctionnement.** Toute distraction peut vous faire perdre le contrôle de l'outil.

2. Sécurité électrique

- a. **Les fiches de l'outil électrique doivent correspondre à la prise secteur. Ne modifiez jamais la fiche, de quelque manière que ce soit. N'utilisez pas d'adaptateurs avec des outils ayant une prise de terre (mis à la terre).** Des fiches non modifiées et raccordées aux prises murales correspondantes réduiront les risques de choc électrique.
- b. **Évitez le contact direct avec les surfaces mises à la terre ou mises à la masse comme les canalisations, les radiateurs, les cuisinières et les réfrigérateurs.** Le risque de choc électrique augmente si votre corps est mis à la terre ou à la masse.
- c. **N'utilisez pas d'outils électriques dans des environnements pluvieux ou humides.** Si de l'eau s'introduit dans un outil électrique, le risque de choc électrique augmentera.
- d. **Ne malmenez pas le cordon d'alimentation. N'utilisez jamais le cordon pour transporter, tirer ou débrancher l'outil électrique. Veillez à garder le cordon éloigné des sources de chaleur, des huiles, des rebords coupants ou des pièces mobiles.** Les cordons endommagés ou entremêlés augmentent le risque de choc électrique.
- e. **Lorsqu'un outil électrique est utilisé à l'extérieur, utilisez uniquement une rallonge spécialement prévue à cet effet.** L'usage d'une rallonge adaptée à

l'utilisation en extérieur réduit le risque de choc électrique.

- f. **Si vous devez utiliser un outil électrique dans un endroit humide, utilisez une alimentation protégée par un dispositif à courant différentiel résiduel (DDR).** L'utilisation d'un DDR réduit le risque de choc électrique.

3. Sécurité personnelle

- a. **Soyez vigilant, regardez bien ce que vous faites et faites preuve de bon sens lorsque vous utilisez l'outil électrique. N'utilisez pas d'outil électrique si vous êtes fatigué ou sous l'influence de drogues, d'alcool ou de médicaments.** Un instant d'inattention pendant l'utilisation d'outils électriques peut entraîner des blessures graves.
 - b. **Utilisez un équipement de protection individuel. Utilisez toujours une protection oculaire.** L'utilisation d'équipements de protection tels que les masques anti-poussière, les chaussures de sécurité antidérapantes, les casques de sécurité ou les protections auditives dans des conditions appropriées réduiront les risques de blessures corporelles.
 - c. **Évitez les démarrages intempestifs. Veillez à ce que l'interrupteur soit en position d'arrêt avant de brancher l'outil à une source d'alimentation et/ou une batterie, de ramasser l'outil ou de le transporter.** Transporter les outils électriques avec le doigt sur l'interrupteur ou brancher les outils électriques avec l'interrupteur en position de marche peut entraîner des accidents.
 - d. **Retirez toute clé à molette ou autre clé de réglage avant de mettre l'outil électrique en marche.** Laissez une clé à molette ou une clé sur une partie rotative de l'outil électrique peut engendrer des blessures corporelles.
 - e. **Ne vous penchez pas trop. Gardez en permanence une position stable et un bon équilibre.** Cela permet un meilleur contrôle de l'outil électrique dans des situations imprévues.
 - f. **Portez des vêtements appropriés. Ne portez pas de vêtements amples ou de bijoux. Tenez vos cheveux, vêtements et gants éloignés des pièces mobiles.** Les vêtements amples, les bijoux ou les cheveux longs peuvent être happés par les pièces mobiles.
 - g. **Si des dispositifs destinés au raccordement d'installations d'extraction et de recueil de la poussière sont fournis, assurez-vous qu'ils sont correctement raccordés et utilisés.** L'utilisation d'un tel dispositif peut réduire les dangers associés à la présence de poussières.
 - h. **Ne pensez pas que la familiarité que vous avez acquise en utilisant fréquemment des outils vous permet d'être complaisant et d'ignorer les principes de sécurité concernant l'utilisation des outils.** Une action imprudente peut causer de graves blessures en une fraction de seconde.
- #### 4. Utilisation et entretien de l'outil électrique
- a. **Ne forcez pas l'outil électrique. Utilisez l'outil électrique adapté à votre travail.** L'outil électrique adapté est plus efficace et moins dangereux s'il est utilisé à la vitesse pour laquelle il a été conçu.
 - b. **N'utilisez pas l'outil si l'interrupteur ne le met pas en position de marche et d'arrêt.** Tout outil qui ne peut être contrôlé par l'interrupteur est dangereux et doit être réparé.

- c. **Débranchez la fiche de la source d'alimentation et/ou retirez la batterie de l'outil, si elle peut être détachée de l'outil électrique, avant de procéder à tout réglage, de remplacer des accessoires ou de ranger les outils électriques.** Ces mesures de sécurité préventives réduisent le risque de démarrage accidentel de l'outil électrique.
- d. **Conservez les outils électriques inutilisés hors de la portée des enfants et ne laissez pas de personnes non familiarisées avec l'outil ou ces instructions utiliser l'outil électrique.** Les outils électriques sont dangereux pour les utilisateurs inexpérimentés.
- e. **Entretenez les outils électriques et les accessoires. Vérifiez la dérive d'alignement ou l'attache des pièces mobiles, toute possibilité de rupture de pièces et tout état pouvant affecter l'outil lors de son utilisation. Si l'outil est endommagé, faites-le réparer avant de l'utiliser.** De nombreux accidents sont dus à des outils électriques mal entretenus.
- f. **Maintenez les outils de coupe aiguisés et propres.** Les outils de coupe bien entretenus aux bords aiguisés sont moins susceptibles de se coincer et plus faciles à contrôler.
- g. **Utilisez l'outil électrique, les accessoires et les mèches de l'outil etc., conformément à ces instructions en prenant en compte les conditions de travail et la tâche à réaliser.** L'utilisation de l'outil électrique pour des opérations différentes de celles pour lesquelles il a été conçu peut entraîner une situation dangereuse.
- h. **Maintenez les poignées et les surfaces de préhension sèches, propres et exemptes d'huile et de graisse.** Des poignées et des surfaces de préhension glissantes ne permettent pas de manipuler l'outil en toute sécurité et de le contrôler dans des situations inattendues.
5. **Utilisation et entretien d'un outil alimenté par batterie**
- a. **Rechargez l'outil uniquement avec le chargeur spécifié par le fabricant.** Un chargeur approprié pour un type de batterie peut créer un risque d'incendie lorsqu'il est utilisé avec une autre batterie.
- b. **Utilisez les outils électriques uniquement avec les batteries spécifiquement indiquées.** L'utilisation d'autres batteries présente un risque de blessure et d'incendie.
- c. **Lorsque vous ne vous servez pas de la batterie, rangez-la loin des autres objets métalliques, comme des trombones, pièces de monnaie, clés, clous, vis ou autres petits objets métalliques, susceptibles d'établir une connexion entre les bornes.** Tout court-circuit entre les bornes de la batterie peut provoquer des brûlures ou un incendie.
- d. **Dans des conditions d'utilisation excessive, du liquide peut s'écouler de la batterie ; dans ce cas, veuillez éviter tout contact. En cas de contact accidentel, rincez la partie touchée avec de l'eau. Si le liquide pénètre dans vos yeux, consultez immédiatement un médecin.** Le liquide éjecté de la batterie peut causer des irritations ou des brûlures.

6. Réparation

- a. **Faites réparer votre outil électrique par un réparateur agréé utilisant uniquement les pièces de rechange identiques.** Cela permettra de garantir la sécurité de l'outil électrique.

AVERTISSEMENTS DE SÉCURITÉ SUPPLÉMENTAIRES CONCERNANT L'OUTIL



AVERTISSEMENT ! Avertissements de sécurité supplémentaires pour les perceuses visseuses.

- Portez une protection auditive lorsque vous utilisez des perceuses à percussion. Une exposition au bruit peut provoquer la perte de l'audition.
- Utilisez les poignées auxiliaires fournies avec l'outil. Toute perte de contrôle peut causer des dommages corporels.
- Tenez l'outil électrique uniquement par les surfaces isolées lorsque vous effectuez une opération au cours de laquelle l'accessoire coupant peut être en contact avec des câbles cachés. Si un accessoire de coupe entre en contact avec un câble « sous tension », les pièces métalliques de l'outil électrique risquent de transmettre le courant et d'infliger un choc électrique à l'opérateur.
- Tenez l'outil électrique uniquement par les surfaces isolées lorsque vous effectuez une opération au cours de laquelle une vis peut toucher des câbles cachés. Si des vis touchent un câble « sous tension », les pièces métalliques de l'outil électrique risquent de transmettre le courant et d'infliger un choc électrique à l'opérateur.
- Utilisez des serre-joints, un étau de serrage ou toute autre méthode pratique pour sécuriser et maintenir la pièce à traiter sur une plate-forme stable. Le fait de tenir la pièce à traiter avec votre main ou l'appuyer contre votre corps la rend instable et peut provoquer une perte de contrôle.
- Avant de percer les murs, les sols ou les plafonds, vérifiez la position des câbles et tuyaux.
- Évitez de toucher la pointe d'un foret immédiatement après utilisation, car vous pourriez vous brûler.
- L'utilisation prévue est décrite dans le présent manuel.
- L'utilisation d'accessoires, de pièces rajoutées et de l'appareil en lui-même autre que celle définie dans le présent manuel d'instructions présente un risque de blessure et de dommages matériels.

SÉCURITÉ D'AUTRUI

- Cet outil n'est pas destiné à être utilisé par des personnes (y compris les enfants) présentant des capacités physiques, sensorielles ou mentales réduites, ou sans expérience, ni connaissances, à moins qu'elles ne soient surveillées ou qu'elles n'aient été instruites à l'utilisation de l'appareil par une personne responsable de leur sécurité.
- Les enfants doivent être surveillés pour s'assurer qu'ils ne jouent pas avec l'appareil.

Risques résiduels

Il se peut que des risques résiduels additionnels non inclus dans les avertissements de sécurité du présent manuel surviennent lors de l'utilisation de l'outil. Ces risques peuvent provenir d'une utilisation inappropriée ou prolongée, etc.

Malgré l'application des instructions de sécurité en vigueur et la mise en œuvre des dispositifs de sécurité, certains risques résiduels ne peuvent être évités. Ces risques comprennent:

- Des blessures provoquées par le contact avec des pièces mobiles / rotatives.
- Des blessures provoquées lors du changement des pièces, lames ou accessoires.
- Des blessures provoquées par un usage prolongé de l'appareil. Assurez-vous prendre régulièrement des pauses lors d'un usage prolongé d'un appareil.
- Troubles de l'audition
- Il existe des risques pour la santé causés par l'inhalation de poussière qui se développent lors de l'utilisation de votre outil (exemple : travailler du bois, en particulier le chêne, le hêtre ou le MDF).

SÉCURITÉ ÉLECTRIQUE



Votre chargeur dispose d'une double isolation ; par conséquent, aucun fil de terre n'est nécessaire. Vérifiez toujours que la tension secteur correspond à celle de la plaque signalétique. N'essayez jamais de remplacer le chargeur par une fiche secteur principale.

- Si le cordon d'alimentation est abîmé, il doit être remplacé par le fabricant ou un centre de services agréé STANLEY afin d'éviter tout danger.

CONSIGNES DE SÉCURITÉ SUPPLÉMENTAIRES POUR LES BATTERIES ET LES CHARGEURS

Batteries

- N'essayez jamais d'ouvrir une batterie, pour une raison quelconque.
- N'exposez pas la batterie à l'eau.
- Ne rangez pas votre batterie dans des endroits où la température ambiante est supérieure à 40 °C.
- Chargez votre batterie uniquement à des températures ambiantes comprises entre 10 °C et 40 °C.
- Chargez uniquement la batterie à l'aide du chargeur fourni avec l'outil.
- Lors de la mise au rebut des batteries, respectez les instructions indiquées dans la section « Protection de l'environnement ».



N'essayez pas de recharger les batteries endommagées.

Chargeurs

- Utilisez uniquement votre chargeur STANLEY pour charger la batterie de l'outil avec laquelle il a été fourni. L'utilisation d'autres batteries pourrait provoquer une explosion et causer des blessures et des dommages.

- N'essayez pas de recharger des batteries non rechargeables.
- Faites immédiatement remplacer les cordons défectueux.
- N'exposez pas le chargeur à l'eau.
- N'ouvrez pas le chargeur.
- Évitez de sonder le chargeur.



Le chargeur est destiné à un usage intérieur uniquement.



Lisez le manuel d'instructions avant toute utilisation.

ÉTIQUETTES DE L'OUTIL

Les symboles suivants ainsi que le code de date apparaissent sur l'appareil :



AVERTISSEMENT ! Afin de réduire le risque de blessure, l'utilisateur doit lire le manuel d'instruction.



Portez toujours des lunettes de sécurité.



Portez toujours un serre-tête antibruit.

Position le code de la date

Le code de la date, comprenant aussi l'année de fabrication, est imprimé sur le boîtier de l'outil.

Exemple:

2017 XX JN
Année de fabrication

CONTENU DE L'ENSEMBLE

La boîte contient :

- 1 perceuse/visseuse
- 1 chargeur
- 2 batteries (C2/S2/D2) ou 1 batterie (C1/S1/D1)
- 1 mode d'emploi
- Vérifiez que l'outil, ses pièces et ses accessoires n'ont pas été endommagés pendant le transport.
- Prenez le temps de lire attentivement et de comprendre ce mode d'emploi avant d'utiliser l'outil.

FONCTIONNALITÉS (Fig A)

Cet appareil présente certaines ou toutes les fonctionnalités suivantes.

1. Déteinte
2. Bouton de marche avant/arrière
3. Bague de réglage du couple
4. Sélecteur de double gamme de vitesse
5. Mandrin sans clé
6. Batterie
7. Bouton de déverrouillage de la batterie
8. Lumière de travail à LED
9. Porte-foret

MODE D'EMPLOI

AVERTISSEMENT ! Laissez l'appareil fonctionner à son propre rythme. Ne le surchargez pas.

RECHARGE DE LA BATTERIE

Vous devez charger la batterie avant la première utilisation et chaque fois qu'elle ne produit pas assez d'énergie pour les travaux aisément réalisés auparavant. La batterie peut devenir chaude pendant la charge ; cela est normal et n'indique aucun problème.

AVERTISSEMENT ! Évitez de charger la batterie à des températures ambiantes inférieures à 10 °C ou supérieures à 40 °C. La plage thermique recommandée est d'environ 24 °C.

REMARQUE : Le chargeur ne chargera pas la batterie si la température des éléments de batterie est inférieure à environ 10 °C ou supérieure à 40 °C. La batterie doit être laissée dans le chargeur afin que le chargeur commence automatiquement la charge lorsque la température des éléments a suffisamment monté ou diminué.

- Branchez le chargeur sur une prise appropriée avant d'insérer la batterie.
- Insérez la batterie dans le chargeur.



Le voyant vert clignote pour indiquer que la batterie est en cours de charge.



La charge est terminée lorsque le voyant vert reste allumé en permanence.

La batterie est alors entièrement chargée et peut être utilisée à ce moment ou laissée dans le chargeur.

AVERTISSEMENT ! Rechargez les batteries déchargées dès que possible après leur utilisation, sinon la durée de vie des batteries peut être grandement diminuée.

Diagnosics du chargeur

Ce chargeur est conçu pour détecter certains problèmes qui peuvent survenir avec les batteries ou la source d'alimentation. Ces problèmes particuliers sont signalés par un voyant clignotant de différentes façons.



Batterie défectueuse

Le chargeur peut détecter une batterie faible ou endommagée. Le voyant rouge clignote selon le schéma indiqué sur l'étiquette. Si vous voyez ce schéma de clignotement de la batterie indiquant que celle-ci est défectueuse, ne continuez pas à la charger. Renvoyez-la à un centre de services ou à un site de collecte pour le recyclage.



Délai de charge de batterie chaude/froide

Lorsque le chargeur détecte une batterie qui est trop chaude ou trop froide, il démarre automatiquement un délai de charge de batterie chaude/froide, suspendant la charge jusqu'à ce que la température de la batterie soit normalisée. Dès que c'est le

cas, le chargeur passe automatiquement en mode de charge. Grâce à cette fonctionnalité, la durée de vie de la batterie est maximale. Le voyant rouge clignote selon le schéma indiqué sur l'étiquette lorsque l'activation du délai de charge de batterie chaude/froide est détectée.



Problème de source d'alimentation

Lorsque le chargeur est utilisé avec certaines sources d'énergie portable telles que des générateurs ou des sources convertissant le courant continu en courant alternatif, le chargeur peut s'arrêter temporairement de fonctionner. Le voyant clignote selon le schéma indiqué sur l'étiquette. Cela indique que la source d'alimentation est en dehors des limites tolérées.

Laisser la batterie dans le chargeur

La batterie peut être laissée connectée dans le chargeur avec le voyant allumé indéfiniment. Le chargeur gardera la batterie en parfait état, entièrement chargée.

Système de protection électronique

Les batteries Li-Ion intègrent un système de protection électro-nique qui protège la batterie contre les surcharges, la surchauffe ou la décharge intégrale. L'outil s'éteint automatiquement si le système de protection électronique se déclenche. Dans ce cas, placez la batterie Li-Ion sur le chargeur jusqu'à ce qu'elle soit complètement chargée.

NOTES IMPORTANTES SUR LA RECHARGE

- Une plus longue durée de vie et un meilleur rendement sont obtenus lorsque la batterie est chargée avec une température de l'air comprise entre 18 et 24 °C. Ne rechargez PAS la batterie à une température d'air inférieure à +4,5 °C, ou supérieure à +40,5 °C. Cela est important et permettra d'éviter des dommages graves à la batterie.
- Le chargeur et la batterie peuvent devenir chauds au toucher pendant la charge. Cette condition est normale et n'indique aucun problème. Pour faciliter le refroidissement de la batterie après son utilisation, évitez de placer le chargeur ou la batterie dans un environnement chaud comme dans un hangar métallique ou une remorque non isolée.
- Lorsque la batterie ne se charge pas correctement :
 - Vérifiez la tension à la prise secteur en branchant une lampe ou un autre appareil.
 - Vérifiez si la prise est connectée à un interrupteur de lampes qui éteint l'appareil lorsque les lampes sont éteintes.
 - Déplacez le chargeur et la batterie à un endroit où la température de l'air ambiante est entre 18 et 24 °C. Si le problème de charge persiste, apportez l'outil, le chargeur et la batterie, à votre centre de services local STANLEY.

- La batterie doit être rechargée quand elle ne parvient plus à produire suffisamment de puissance pour effectuer des tâches qui étaient auparavant effectuées facilement.
- NE CONTINUEZ PAS à l'utiliser dans ces conditions. Observez la procédure de charge.
- Vous pouvez également charger une batterie partiellement utilisée chaque fois que vous le désirez sans que cela ait le moindre effet négatif sur la batterie.

REMARQUE : Vérifiez que votre bloc-batterie (6) est complètement chargé.

Installer le bloc-batterie dans la poignée de l'outil - (Fig.B)

- Alignez le bloc-batterie avec les rails situés à l'intérieur de la poignée.
- Faites-le glisser fermement jusqu'à ce que vous entendiez le clic de verrouillage.

Retirer le bloc-batterie de la poignée de l'outil - (Fig.C)

- Appuyez sur le bouton de déverrouillage (7) et sortez le bloc-batterie de la poignée de l'outil en tirant fermement.
- Insérez le bloc-batterie dans le chargeur, comme indiqué dans la section de ce manuel consacrée au chargeur.

Détente et bouton de marche avant/arrière - (Fig.D)

- La perceuse est allumée et éteinte en appuyant et en relâchant la détente (1), comme illustré à la Fig.D. Plus la détente est enfoncée, plus la perceuse tourne vite.
- Un bouton de marche avant/arrière (2) permet de choisir le sens de rotation de l'outil et sert également de bouton de verrouillage.
- Pour sélectionner la rotation avant, relâchez la détente et enfoncez le bouton de marche avant/arrière vers la droite de l'outil.
- Pour sélectionner la rotation arrière, enfoncez le bouton de commande avant/arrière vers la gauche de l'outil.
- La position centrale du bouton de commande verrouille l'outil en position d'arrêt. Lorsque vous changez la position du bouton de commande, assurez-vous que la détente est relâchée.

Réglage de la commande de couple - (Fig.E)

Cet outil est équipé d'une bague de réglage du couple (3) pour sélectionner le mode de fonctionnement et régler le couple de serrage des vis. Les grosses vis et les matériaux durs nécessitent un couple de serrage plus élevé que les petites vis et les matériaux tendres.

- Pour le perçage du bois, du métal et du plastique, mettez la bague dans la position de perçage.
- Pour le vissage, mettez la bague sur le réglage de couple désiré. Si vous ne savez pas quelle valeur choisir, procédez comme suit :
- Réglez la bague sur le couple le plus faible.
- Serrez la première vis.

- Si l'embrayage se met à cliqueter avant que la vis ne soit suffisamment serrée, augmentez le couple et continuez de serrer la vis.
- Répétez cela jusqu'à ce que le couple de serrage soit suffisant.
- Utilisez ce réglage pour les vis restantes.

Sélecteur de double gamme de vitesse - (Fig.F)

La fonction de double gamme de vitesse de votre perceuse vous permet de changer de vitesse afin d'offrir une plus grande polyvalence.

- Pour sélectionner la vitesse basse avec un couple élevé (position 1), éteignez l'outil et laissez-le s'arrêter complètement. Faites glisser le sélecteur de vitesse (4) en l'éloignant du mandrin.
- Pour sélectionner la vitesse élevée avec un couple bas (position 2), éteignez l'outil et laissez-le s'arrêter complètement. Faites glisser le sélecteur de vitesse en le rapprochant du mandrin.

REMARQUE : Ne changez pas de vitesse durant le fonctionnement de l'outil. Si vous avez des difficultés pour changer de vitesse, assurez-vous que le sélecteur de vitesse est poussé complètement soit vers l'avant, soit vers l'arrière.

Mandrin sans clé - (Fig.G)

AVERTISSEMENT ! Assurez-vous de retirer la batterie pour éviter que l'outil ne soit mis en marche avant l'installation ou le démontage des accessoires. Pour insérer un foret ou un autre accessoire :

- Saisissez le mandrin (5) et faites-le tourner dans le sens inverse des aiguilles d'une montre, lorsque vous regardez l'outil depuis le mandrin.
- Insérez le foret ou un autre accessoire à fond dans le mandrin, puis serrez le mandrin en le tournant dans le sens des aiguilles d'une montre, lorsque vous regardez l'outil depuis le mandrin.

AVERTISSEMENT ! N'essayez pas de serrer ou de desserrer des forets (ou tout autre accessoire) en saisissant la partie avant du mandrin et en faisant tourner l'outil. Vous pouvez endommager le mandrin et vous blesser durant le changement d'accessoires.

Vissage

- Lors du vissage de vis, le bouton marche avant/arrière doit être poussé vers la gauche.
- Utilisez la marche arrière (bouton poussé vers la droite) pour dévisser les vis.

REMARQUE : Lors du passage de la marche avant à la marche arrière, ou vice versa, relâchez toujours d'abord la détente.

Perçage

- Utilisez uniquement des forets qui ne sont pas émoussés.
- Soutenez et fixez correctement les éléments de travail, conformément aux Consignes de sécurité.

- Utilisez l'équipement de sécurité requis et approprié, conformément aux Consignes de sécurité.
- Sécurisez l'aire de travail et maintenez-la dans cet état, conformément aux Consignes de sécurité.
- Faites fonctionner la perceuse très lentement, en appuyant légèrement sur la détente, jusqu'à ce que le trou soit suffisamment bien démarré pour que le foret ne glisse plus.
- Exercez une pression dans l'axe du foret. Utilisez suffisamment de pression pour que le foret morde, mais pas trop, pour ne pas faire caler le moteur ou faire dévier le foret.
- Maintenez la perceuse fermement à deux mains, une main sur la poignée, et l'autre autour de la zone de la batterie ou sur la poignée auxiliaire, s'il y en a une.
- **N'APPUYEZ PAS RÉPÉTITIVEMENT SUR LA DÉTENTE SI LE FORET EST COINCÉ AFIN DE LE DÉBLOQUER ET DE CONTINUER LA PERÇAGE. VOUS POURRIEZ ENDOMMAGER LA PERCEUSE.**
- Minimisez le grippage du foret en réduisant la pression quand le foret est sur le point de passer à travers le matériau et percez lentement la dernière partie du trou.
- Continuez à faire tourner le foret pendant que vous le retirez du trou percé. Cela réduira les chances de grippage.
- Assurez-vous que la détente permet d'allumer et d'éteindre la perceuse.

Perçage dans le bois

Les trous dans le bois peuvent être percés avec les mêmes forets hélicoïdaux utilisés pour le métal ou avec des mèches plates.

Assurez-vous d'utiliser des forets bien aiguisés et, durant le perçage, de les sortir fréquemment du trou de perçage afin d'éliminer les copeaux.

Perçage dans le métal

Utilisez un lubrifiant de coupe lors du perçage de métaux. La fonte et le laiton sont des exceptions qui doivent être percés à sec. Le lubrifiant de coupe qui fonctionne le mieux est l'huile de coupe sulfurisée.

Lumière de travail à LED

Lorsque la perceuse est mise en marche en appuyant sur la détente (1), la lumière de travail à LED (8) éclaire automatiquement la zone de travail.

REMARQUE : La lumière de travail sert à l'éclairage de la surface de travail immédiat. Elle n'est pas destinée à servir de lampe torche.

Porte-embout

Un porte-embout (9) est intégré dans le pied de l'outil.

Dépannage

| Problème | Cause possible | Solution possible |
|--|---|---|
| L'outil ne démarre pas. | La batterie n'est pas installée correctement. La batterie n'est pas chargée. | Vérifier l'installation de la batterie Vérifier les conditions de charge de la batterie |
| L'outil démarre immédiatement après l'insertion de la batterie | La détente est enfoncée en position « marche ». | La détente doit être relâchée en position « arrêt » pour empêcher l'outil de démarrer immédiatement dès que la batterie est insérée. |
| La batterie ne se charge pas. | La batterie n'est pas insérée dans le chargeur. Le chargeur n'est pas branché au secteur. La température de l'air ambiant est trop chaude ou trop froide. | Insérer la batterie dans le chargeur jusqu'à ce que le voyant de charge s'allume. Brancher le chargeur dans une prise secteur qui fonctionne. Déplacer le chargeur et la batterie dans un endroit où la température de l'air ambiant est inférieure à 4,5 °C (40 °F) ou supérieure à +40,5 °C (105 °F). |
| L'outil s'arrête brusquement. | La batterie a atteint sa limite thermique maximale. La batterie est déchargée. (Pour optimiser la durée de vie de la batterie, celle-ci a été conçue pour s'arrêter brusquement lorsque la charge est insuffisante.) | Laisser la batterie refroidir. Placer la batterie sur le chargeur et laisser charger. |

ENTRETIEN

Votre outil STANLEY a été conçu pour fonctionner pendant une longue période de temps avec un minimum d'entretien. Un fonctionnement continu satisfaisant de l'outil dépend d'un entretien soigneux et régulier.

Votre chargeur n'exige aucun entretien en dehors d'un nettoyage régulier.

AVERTISSEMENT ! Avant toute opération d'entretien de l'outil, retirez la batterie. Débranchez le chargeur avant de le nettoyer.

- Nettoyez régulièrement les fentes d'aération de votre outil et le chargeur à l'aide d'une brosse douce ou un chiffon sec.
- Nettoyez régulièrement le boîtier du moteur à l'aide d'un chiffon humide. N'utilisez pas de nettoyeurs abrasifs ou à base de solvants.
- Ouvrez régulièrement le mandrin et tapotez-le pour nettoyer toute poussière à l'intérieur.

PROTECTION DE L'ENVIRONNEMENT



Collecte sélective. Ce produit ne doit pas être mis au rebut avec les ordures ménagères normales.

Si vous deviez un jour remplacer votre produit STANLEY ou si vous ne l'utilisez plus, ne le jetez pas avec les ordures ménagères. Faites en sorte que ce produit soit traité séparément.



STANLEY met à disposition un centre de collecte et de recyclage pour les produits STANLEY en fin de vie. Et pour en tirer parti, vous devez retourner votre produit à un agent de réparation agréé qui se chargera de la collecte.

Vous pouvez trouver l'agent de réparation agréé le plus proche en contactant votre agence STANLEY locale à l'adresse indiquée dans ce manuel. Autrement, une liste d'agents de réparation agréés STANLEY et des informations complètes concernant notre service après-vente, y compris les coordonnées, sont disponibles en ligne à l'adresse suivante : www.2helpU.com.

Batteries



Les batteries STANLEY peuvent être rechargées à de nombreuses reprises. En fin de vie, jetez les batteries selon les exigences en matière de respect de l'environnement :

- Déchargez complètement la batterie puis retirez-la de l'outil.
- Les batteries NiCd, NiMH et Li-Ion sont recyclables. Apportez-les à un agent de réparation agréé ou à un centre de recyclage.

REMARQUES

STANLEY mène une politique d'amélioration continue de ses produits et se réserve, de ce fait, le droit d'en modifier les caractéristiques sans préavis. Les accessoires ou équipements peuvent varier selon le pays. Les spécifications du produit peuvent varier selon le pays.

La gamme complète du produit peut ne pas être disponible dans tous les pays. Contactez votre revendeur STANLEY local concernant la disponibilité de la gamme.

INFORMATION POUR LA RÉPARATION

STANLEY dispose d'un réseau complet de centres de réparation appartenant à l'entreprise et agréés. Tous les centres de réparation STANLEY possèdent un personnel formé spécialement pour garantir aux clients une réparation fiable et efficace des outils électriques. Pour en savoir plus sur nos centres de réparation agréés et en cas de besoin de conseils techniques, de réparation ou de pièce de rechange d'origine, contactez le concessionnaire STANLEY le plus proche.

CARACTÉRISTIQUES TECHNIQUES

| | | SCD20 | SCD201 |
|-------------------------------------|-------------------|--------------|--------------|
| Tension | V_{CC} | 18 V | 18 V |
| Vitesse à vide | min^{-1} | 0-350/0-1500 | 0-350/0-1500 |
| Couple max. | Nm | 45 | 45 |
| Capacité du mandrin | mm | 13 | 13 |
| Capacité de perçage maximale | | | |
| Bois | mm | 35 | 35 |
| Acier | mm | 13 | 13 |
| Poids | kg | 1,6 | 1,6 |

| Chargeur | | SC201 | SC202 |
|-----------------------|----------|---------|---------|
| Tension d'entrée | V_{CA} | 220-240 | 220-240 |
| Tension de sortie | V_{CC} | 18 | 18 |
| Intensité | mA | 1000 | 2000 |
| Temps de charge moyen | min | 80-240 | 40-120 |

| Batterie | | SB20C | SB20S | SB20D | SB20M |
|----------|----------|--------|--------|--------|--------|
| Tension | V_{CA} | 18 | 18 | 18 | 18 |
| Capacité | Ah | 1,3 | 1,5 | 2,0 | 4,0 |
| Type | | Li-Ion | Li-Ion | Li-Ion | Li-Ion |

GARANTIE DE 2 ANS

Si votre appareil STANLEY s'avère défectueux en raison d'un vice de matériau ou de fabrication dans les 24 mois à compter de sa date d'achat, STANLEY garantit le remplacement gratuit de toute pièce défectueuse ou – à notre discrétion – le remplacement gratuit de l'appareil, à condition que :

- L'appareil n'ait pas été utilisé avec négligence et qu'il ait été utilisé en suivant les instructions contenues dans ce manuel ;
- L'appareil ait été soumis à une usure normale ;
- Aucune réparation n'ait été effectuée par du personnel non autorisé ;
- Une preuve d'achat soit fournie ;
- L'appareil STANLEY soit retourné complet, avec l'ensemble de ses composants originaux ;
- L'utilisateur n'ait pas utilisé le produit à des fins locatives.

Pour avoir recours à la garantie, contactez votre revendeur ou consultez l'emplacement du centre de réparations agréé STANLEY le plus proche dans le catalogue STANLEY ou contactez le service clientèle STANLEY à l'adresse indiquée dans ce manuel. Une liste des centres de réparations agréés STANLEY et tout détail complémentaire concernant notre service après-vente sont à votre disposition sur notre site internet à www.2helpU.com

НАЗНАЧЕНИЕ

Ваша дрель/шуруповёрт STANLEY SCD20-SCD201 предназначена для сверления отверстий и заворачивания саморезов в древесине, металле и пластике. Данный инструмент предназначен для профессионального использования.

ПРАВИЛА БЕЗОПАСНОСТИ

Общие правила безопасности при работе с электроинструментами



ВНИМАНИЕ! Внимательно прочтите все инструкции по использованию, правила безопасности, спецификации, а также рассмотрите все иллюстрации, входящие в руководство по эксплуатации данного электроинструмента. Несоблюдение всех перечисленных ниже инструкций может привести к поражению электрическим током, возникновению пожара и/или получению серьёзной травмы.

Сохраните все инструкции по безопасности и руководство по эксплуатации для их дальнейшего использования. Термин «Электроинструмент» во всех приведённых ниже указаниях относится к вашему сетевому (с кабелем) электроинструменту или аккумуляторному (беспроводному) электроинструменту.

1. Безопасность рабочего места

- a. **Содержите рабочее место в чистоте и обеспечьте хорошее освещение.** Плохое освещение или беспорядок на рабочем месте может привести к несчастному случаю.
- b. **Не используйте электроинструменты, если есть опасность возгорания или взрыва, например, вблизи легко воспламеняющихся жидкостей, газов или пыли.** В процессе работы электроинструменты создают искровые разряды, которые могут воспалить пыль или горячие пары.
- c. **Во время работы с электроинструментом не подпускайте близко детей или посторонних лиц.** Отвлечение внимания может вызвать у Вас потерю контроля над рабочим процессом.

2. Электробезопасность

- a. **Вилка кабеля электроинструмента должна соответствовать штепсельной розетке. Ни в коем случае не видоизменяйте вилку электрического кабеля. Не используйте соединительные штепсели-переходники, если в силовом кабеле электроинструмента есть провод заземления.** Использование оригинальной вилки кабеля и соответствующей ей штепсельной розетки уменьшает риск поражения электрическим током.
- b. **Во время работы с электроинструментом избегайте физического контакта с заземлёнными объектами, такими как трубопроводы, радиаторы отопления, электроплиты и холодильники.** Риск поражения электрическим током увеличивается, если Ваше тело заземлено.
- c. **Не используйте электроинструмент под дождём или во влажной среде.** Попадание воды в электроинструмент увеличивает риск поражения электрическим током.

- d. **Бережно обращайтесь с электрическим кабелем. Ни в коем случае не используйте кабель для переноски электроинструмента или для вытягивания его вилки из штепсельной розетки. Не подвергайте электрический кабель воздействию высоких температур и смазочных веществ; держите его в стороне от острых кромок и движущихся частей электроинструмента.** Повреждённый или запутанный кабель увеличивает риск поражения электрическим током.
- e. **При работе с электроинструментом на открытом воздухе используйте удлинительный кабель, предназначенный для наружных работ.** Использование кабеля, пригодного для работы на открытом воздухе, снижает риск поражения электрическим током.
- f. **При необходимости работы с электроинструментом во влажной среде используйте источник питания, оборудованный устройством защитного отключения (УЗО).** Использование УЗО снижает риск поражения электрическим током.

3. Личная безопасность

- a. **При работе с электроинструментами будьте внимательны, следите за тем, что Вы делаете, и руководствуйтесь здравым смыслом. Не используйте электроинструмент, если Вы устали, а также находясь под действием алкоголя или понижающих реакцию лекарственных препаратов и других средств.** Малейшая неосторожность при работе с электроинструментами может привести к серьёзной травме.
- b. **При работе используйте средства индивидуальной защиты.** Всегда надевайте защитные очки. Своевременное использование защитного снаряжения, а именно: пылезаститной маски, ботинок на нескользящей подошве, защитного шлема или противошумовых наушников, значительно снизит риск получения травмы.
- c. **Не допускайте непреднамеренного запуска. Перед тем, как подключить электроинструмент к сети и/или аккумулятору, поднять или перенести его, убедитесь, что выключатель находится в положении «выключено».** Не переносите электроинструмент с нажатым курковым выключателем и не подключайте к сетевой розетке электроинструмент, выключатель которого установлен в положение «включено», это может привести к несчастному случаю.
- d. **Перед включением электроинструмента снимите с него все регулировочные или гаечные ключи.** Регулировочный или гаечный ключ, оставленный закрепленным на вращающейся части электроинструмента, может стать причиной получения тяжёлой травмы.
- e. **Работайте в устойчивой позе. Всегда твёрдо стойте на ногах, сохраняя равновесие.** Это позволит Вам не потерять контроль при работе электроинструментом в непредвиденной ситуации.

- f. Одевайтесь соответствующим образом. Во время работы не надевайте свободную одежду или украшения. Следите за тем, чтобы Ваши волосы или одежда находились в постоянном отдалении от движущихся частей инструмента. Свободная одежда, украшения или длинные волосы могут попасть в движущиеся части инструмента.
- g. Если электроинструмент снабжён устройством сбора и удаления пыли, убедитесь, что данное устройство подключено и используется надлежащим образом. Использование устройства пылеудаления значительно снижает риск возникновения несчастного случая, связанного с запылённостью рабочего пространства.
- h. Даже если Вы являетесь опытным пользователем и часто используете подобные инструменты, не позволяйте себе расслабляться и игнорировать правила безопасности при использовании инструментов. Неосторожность и невнимательность при работе могут привести к тяжёлым травмам за доли секунды.
4. **Использование электроинструментов и технический уход**
- a. **Не перегружайте электроинструмент. Используйте Ваш инструмент по назначению.** Электроинструмент работает надёжно и безопасно только при соблюдении параметров, указанных в его технических характеристиках.
- b. **Не используйте электроинструмент, если его выключатель не устанавливается в положение включения или выключения.** Электроинструмент с неисправным выключателем представляет опасность и подлежит ремонту.
- c. **Отключайте электроинструмент от сетевой розетки и/или извлекайте аккумулятор (если имеется) перед регулировкой, заменой принадлежностей или при хранении электроинструмента.** Такие меры предосторожности снижают риск случайного включения электроинструмента.
- d. **Храните неиспользуемые электроинструменты в недоступном для детей месте и не позволяйте лицам, не знакомым с электроинструментом или данными инструкциями, работать с электроинструментом.** Электроинструменты представляют опасность в руках неопытных пользователей.
- e. **Регулярно проверяйте исправность электроинструмента и дополнительных принадлежностей.** Проверьте точность совмещения и легкость перемещения подвижных частей, целостность деталей и любых других элементов электроинструмента, воздействующих на его работу. Не используйте неисправный электроинструмент, пока он не будет полностью отремонтирован. Большинство несчастных случаев являются следствием недостаточного технического ухода за электроинструментом.
- f. **Следите за острой заточкой и чистой режущей принадлежностью.** Принадлежности с острыми кромками позволяют избежать заклинивания и делают работу менее утомительной.
- g. **Используйте электроинструмент, аксессуары и насадки в соответствии с данным Руководством по**

эксплуатации и с учётом рабочих условий и характера будущей работы. Использование электроинструмента не по назначению может создать опасную ситуацию.

- h. **Следите, чтобы рукоятки и поверхности захвата оставались сухими, чистыми и не содержали следов масла и консистентной смазки.** Скользкие рукоятки и поверхности захвата не обеспечивают безопасное обращение и управление инструментом в неожиданных ситуациях.
5. **Использование аккумуляторных инструментов и технический уход**
- a. **Заряжайте аккумулятор зарядным устройством марки, указанной производителем.** Зарядное устройство, которое подходит к одному типу аккумуляторов, может создать риск возгорания в случае его использования с аккумуляторами другого типа.
- b. **Используйте электроинструменты только с разработанными специально для них аккумуляторами.** Использование аккумулятора какой-либо другой марки может привести к возникновению пожара и получению травмы.
- c. **Держите не используемый аккумулятор подальше от металлических предметов, таких как скрепки, монеты, ключи, гвозди, шурупы, и других мелких металлических предметов, которые могут замкнуть контакты аккумулятора.** Короткое замыкание контактов аккумулятора может привести к получению ожогов или возникновению пожара.
- d. **В критических ситуациях из аккумулятора может вытечь жидкость (электролит); избегайте контакта с кожей.** Если жидкость попала на кожу, смойте её водой. Если жидкость попала в глаза, обращайтесь за медицинской помощью. Жидкость, вытекшая из аккумулятора, может вызвать раздражение или ожоги.
6. **Техническое обслуживание**
- a. **Ремонт Вашего электроинструмента должен производиться только квалифицированными специалистами с использованием идентичных запасных частей.** Это обеспечит безопасность Вашего электроинструмента в дальнейшей эксплуатации.

ДОПОЛНИТЕЛЬНЫЕ МЕРЫ БЕЗОПАСНОСТИ ПРИ РАБОТЕ С ЭЛЕКТРОИНСТРУМЕНТАМИ



ВНИМАНИЕ! Дополнительные правила безопасности при работе дрелями/ шуруповёртами

- **При сверлении с ударом всегда надевайте противозащитные наушники.** Воздействие шума может привести к потере слуха.
- **При работе пользуйтесь дополнительными рукоятками, прилагающимися к инструменту.** Потеря контроля над инструментом может привести к получению тяжёлой травмы.

- **Держите инструмент за изолированные ручки при выполнении операций, во время которых режущий инструмент может соприкоснуться со скрытой проводкой.** Контакт насадки с находящимся под напряжением проводом делает не покрытые изоляцией металлические части электроинструмента также «живыми», что создаёт опасность поражения оператора электрическим током.
- **Держите инструмент за изолированные ручки при выполнении операций, во время которых крепёжный элемент может соприкоснуться со скрытой проводкой.** Контакт крепёжного элемента с находящимся под напряжением проводом делает не покрытые изоляцией металлические части электроинструмента также «живыми», что создаёт опасность поражения оператора электрическим током.
- **Используйте струбцины или другие приспособления для фиксации обрабатываемой детали, устанавливая их только на неподвижной поверхности.** Если держать обрабатываемую деталь руками или с упором в собственное тело, то можно потерять контроль над инструментом или обрабатываемой деталью.
- Прежде чем сверлить отверстия в стенах, полах или потолках, проверьте наличие электропроводки и трубопроводов.
- Не затрагивайтесь до наконечника сверла сразу же после окончания сверления, так как он может быть горячим.
- Назначение инструмента описывается в данном руководстве по эксплуатации.
- Использование любых принадлежностей или приспособлений, а также выполнение данным инструментом любых видов работ, не рекомендованных данным руководством по эксплуатации, может привести к несчастному случаю и/или повреждению личного имущества.

БЕЗОПАСНОСТЬ ПОСТОРОННИХ ЛИЦ

- Данное изделие не может использоваться людьми (включая детей) со сниженными физическими, сенсорными и умственными способностями или при отсутствии необходимого опыта или навыка, за исключением, если они выполняют работу под присмотром лица, отвечающего за их безопасность.
- Не позволяйте детям играть с инструментом.

Остаточные риски

При работе данным инструментом возможно возникновение дополнительных остаточных рисков, которые не вошли в описанные здесь правила техники безопасности. Эти риски могут возникнуть при неправильном или продолжительном использовании изделия и т.п.

Несмотря на соблюдение соответствующих инструкций по технике безопасности и использование предохранительных устройств, некоторые остаточные риски невозможно полностью исключить. К ним относятся:

- Травмы в результате касания вращающихся/двигающихся частей инструмента.
- Риск получения травмы во время смены деталей или насадок.
- Риск получения травмы, связанный с продолжительным использованием инструмента. При использовании инструмента в течение продолжительного периода времени делайте регулярные перерывы в работе.
- Ухудшение слуха.
- Ущерб здоровью в результате вдыхания пыли в процессе работы с инструментом (например, при обработке древесины, в особенности, дуба, бука и ДВП).

ЭЛЕКТРОБЕЗОПАСНОСТЬ



Ваше зарядное устройство защищено двойной изоляцией, что исключает потребность в заземляющем проводе. Всегда проверяйте, соответствует ли напряжение, указанное на табличке с техническими параметрами, напряжению электросети. Ни в коем случае не пытайтесь заменить зарядный блок стандартным сетевым штепселем.

- Во избежание несчастного случая, замена повреждённого кабеля питания должна производиться только на заводе-изготовителе или в авторизованном сервисном центре STANLEY.

ДОПОЛНИТЕЛЬНЫЕ МЕРЫ БЕЗОПАСНОСТИ ПРИ РАБОТЕ С АККУМУЛЯТОРАМИ И ЗАРЯДНЫМИ УСТРОЙСТВАМИ

Аккумуляторы

- Ни в коем случае не пытайтесь разобрать аккумулятор.
- Не погружайте аккумулятор в воду.
- Не храните в местах, где температура может превысить 40 °С.
- Заряжайте аккумулятор только при температуре окружающей среды в пределах 10°C - 40°C.
- Заряжайте только зарядными устройствами, входящими в комплект поставки инструмента.
- Утилизируйте отработанные аккумуляторы, следуя инструкциям раздела «Защита окружающей среды».



Ни в коем случае не пытайтесь заряжать повреждённый аккумулятор!

Зарядные устройства

- Используйте ваше зарядное устройство STANLEY только для зарядки аккумулятора инструмента, в комплект поставки которого он входит. Аккумуляторы других марок могут взорваться, что приведёт к получению травмы или повреждению инструмента.
- Ни в коем случае не пытайтесь зарядить непerezаряжаемые аккумуляторы.
- Немедленно заменяйте повреждённый сетевой кабель.
- Не погружайте зарядное устройство в воду.
- Не разбирайте зарядное устройство.
- Не используйте зарядное устройство в качестве объекта для проведения испытаний.



Зарядное устройство предназначено только для использования внутри помещений.



Перед началом работы внимательно прочтите руководство по эксплуатации.

МАРКИРОВКА ИНСТРУМЕНТА

Помимо кода даты на инструменте имеются следующие знаки:



ВНИМАНИЕ! Полное ознакомление с руководством по эксплуатации снизит риск получения травмы.



Всегда работайте в защитных очках



Всегда используйте средства защиты слуха

Положение даты штрих-кода

Дата кода, который также включает год изготовления, печатается на корпусе.

Пример:

2017 XX JN

Год изготовления

КОМПЛЕКТ ПОСТАВКИ

В упаковку входят:

- 1 Дрель/шуруповёрт
- 1 Зарядное устройство
- 2 Аккумулятора (C2/S2/D2) или 1 аккумулятор (C1/S1/D1)
- 1 Руководство по эксплуатации

- Проверьте инструмент, детали и дополнительные приспособления на наличие повреждений, которые могли произойти во время транспортировки.
- Перед началом работы необходимо внимательно прочитать настоящее руководство и принять к сведению содержащуюся в нем информацию.

СОСТАВНЫЕ ЧАСТИ (Рисунок А)

Ваш инструмент может содержать все или некоторые из перечисленных частей

1. Курковый пусковой выключатель

2. Переключатель направления вращения (реверса)
3. Муфта установки крутящего момента
4. Переключатель скоростей
5. Быстрозажимной патрон
6. Аккумулятор
7. Отпирающая кнопка аккумулятора
8. Светодиодная подсветка
9. Гнездо для хранения насадок

ЭКСПЛУАТАЦИЯ

ВНИМАНИЕ! Не форсируйте рабочий процесс. Избегайте перегрузки инструмента.

ЗАРЯДКА АККУМУЛЯТОРА

Аккумулятор нуждается в зарядке перед первым использованием и если он не обеспечивает достаточную мощность для работ, которые ранее выполнялись легко и быстро. В процессе зарядки аккумулятор может слегка гудеть и нагреваться. Это нормально и не указывает на наличие какой-либо проблемы.

ВНИМАНИЕ! Не заряжайте аккумулятор при температуре окружающей среды ниже 10 °C или выше 40 °C. Рекомендуемая температура зарядки: приблизительно 24 °C.

Примечание: Зарядное устройство не будет заряжать аккумулятор, если температура его элементов ниже 10 °C или выше 40 °C.

Аккумулятор должен быть оставлен в зарядном устройстве. При уменьшении или увеличении температуры элементов зарядка начнётся автоматически.

- Перед тем как вставить аккумулятор, подключите вилку зарядного устройства к соответствующей сетевой розетке.
- Вставьте аккумулятор в зарядное устройство.



Начнёт мигать зелёный светодиодный индикатор, оповещая о зарядке аккумулятора.



После завершения зарядки зелёный светодиодный индикатор перейдёт в режим непрерывного свечения. Аккумулятор полностью заряжен, и его можно использовать с инструментом или оставить в зарядном устройстве.

ВНИМАНИЕ! По возможности заряжайте разряженные аккумуляторы сразу после использования. Срок службы аккумулятора, содержащегося в разряженном состоянии, значительно уменьшается.

Выявление неисправностей зарядным устройством

Данное зарядное устройство разработано с целью обнаружения некоторых проблем, связанных с работой аккумулятора или источника питания. Оповещение о наличии проблемы производится путём мигания одного светодиода по определённой схеме.



Неисправность аккумулятора

Зарядное устройство способно обнаружить протечку или наличие неисправности аккумулятора. В том случае красный светодиод начнёт мигать по схеме, обозначенной на этикетке. Если Вы видите такое мигание, остановите зарядку аккумулятора. Верните аккумулятор в авторизованный сервисный центр или сдайте в приёмный пункт на переработку.



Пауза для согревания/охлаждения аккумулятора

Если зарядное устройство определит, что аккумулятор чрезмерно охлаждён или нагрет, автоматически инициируется пауза для согревания/охлаждения, в течение которой аккумулятор достигает оптимальной для зарядки температуры. После охлаждения аккумулятора зарядное устройство автоматически переключится в режим зарядки. Данная функция увеличивает максимальный срок службы аккумулятора. При обнаружении и охлаждения/нагревания аккумулятора красный светодиод начнёт мигать по схеме, обозначенной на этикетке.



Проблема с линией электропитания

При использовании зарядного устройства с некоторыми переносными источниками питания, например, с генераторами или инверторами, преобразующими постоянный ток в переменный ток, зарядное устройство может временно приостановить свою работу. В этом случае светодиодный индикатор начнёт мигать по схеме, обозначенной на этикетке. Это будет означать, что источник питания находится за пределами допустимых значений.

Оставление аккумулятора в зарядном устройстве

Аккумулятор может оставаться в зарядном устройстве при горящем светодиодном индикаторе

в течение неограниченного периода времени. Зарядное устройство сохранит аккумулятор полностью заряженным и готовым к работе.

Электронной Защитной Системе

Аккумуляторы Li-Ion спроектированы по Электронной Защитной Системе, которая защищает аккумулятор от перегрузки, перегрева или глубокой разрядки. При срабатывании Электронной Защитной Системы инструмент автоматически отключится. Если это произошло, поместите Li-Ion аккумулятор в зарядное устройство до его полной зарядки.

ВАЖНЫЕ ПРИМЕЧАНИЯ К ЗАРЯДКЕ

- Продолжительный срок службы и высокая производительность аккумулятора будет достигнута, если заряжать аккумулятор при температуре воздуха от +18° до +24°C. НЕ ЗАРЯЖАЙТЕ аккумулятор при температуре ниже +4,5°C или выше +40,5°C. Важно соблюдать данное условие, это предотвратит серьёзные повреждения аккумулятора.
- В процессе зарядки зарядное устройство и аккумулятор могут быть тёплыми на ощупь. Это нормальное явление и не указывает на наличие какой-либо неисправности. Для быстрого охлаждения аккумулятора после использования, избегайте размещения зарядного устройства или аккумулятора в тёплых местах, например, под металлическим навесом или в неизолированных автоприцепах.
- Если аккумулятор не заряжается должным образом:
- Проверьте выходной ток штепсельной розетки, подключив к ней лампу или любой другой прибор.
- Убедитесь, что розетка соединена с выключателем освещения и отключается при выключении света.
- Перенесите зарядное устройство и аккумулятор в помещение, где температура воздуха достигает 18°- 24°C. Если зарядка всё же не происходит должным образом, отнесите инструмент, аккумулятор и зарядное устройство в авторизованный сервисный центр STANLEY.
- Аккумулятор следует подзаряжать, если он не обеспечивает достаточную мощность для работ, которые ранее выполнялись легко и быстро.
- НЕ ИСПОЛЬЗУЙТЕ аккумулятор в данных условиях. Следуйте процедуре зарядки.
- Вы также можете подзаряжать частично использованные аккумуляторы без каких-либо негативных последствий для аккумуляторов.

ПРИМЕЧАНИЕ: Убедитесь, что аккумулятор (6) полностью заряжен.

Для установки аккумулятора в рукоятку инструмента - (Рисунок В)

1. Совместите аккумулятор с бороздками внутри рукоятки инструмента.
2. Вдвигайте аккумулятор в рукоятку, пока не услышите, что замок защёлкнулся на месте.

Для извлечения аккумулятора из инструмента - (Рисунок С)

1. Нажмите на отпирающую кнопку (7) и извлеките аккумулятор из рукоятки инструмента.
2. Вставьте аккумулятор в зарядное устройство, как описано в разделе «Зарядное устройство» данного руководства.

Курковый пусковой выключатель и переключатель направления вращения – (Рисунок D)

- Данная дрель включается и выключается путём нажатия и отпускания куркового пускового выключателя (1), как показано на Рисунке D. Чем сильнее нажим на курковый выключатель, тем выше скорость инструмента.
- Переключатель направления вращения (2) устанавливает направление вращения инструмента, а также служит кнопкой блокировки.
- Для установки вращения вперёд, отпустите курковый выключатель и нажмите на переключатель направления вращения с правой стороны инструмента.
- Для установки реверса, нажмите на переключатель направления вращения с левой стороны инструмента.
- Кнопка переключателя, установленная в среднее положение, блокирует инструмент в состоянии «выключено». При изменении положения кнопки переключателя не забывайте отпускать курковый выключатель.

Установка крутящего момента – (Рисунок E)

Данный инструмент оборудован муфтой установки крутящего момента (3) для выбора режима работы и регулировки крутящего момента при заворачивании саморезов. Крупные саморезы и заготовки из твёрдых материалов нуждаются в более высоком крутящем моменте, чем мелкие саморезы и заготовки из мягких материалов.

- При сверлении в древесине, металле и пластике установите муфту напротив символа режима сверления.
- При заворачивании установите муфту на цифре, соответствующей необходимому для работы крутящему моменту. Если Вы не знаете, какая из

настроек в полной мере соответствует выполняемой операции, поступите следующим образом:

- Установите муфту на позицию минимального крутящего момента.
- Заверните первый саморез.
- Если до завершения операции муфта пробуксовывает, увеличьте крутящий момент и продолжите заворачивание.
- Повторяйте это действие, пока не будет определена правильная величина крутящего момента.
- Используйте эту величину при заворачивании остальных саморезов.

Переключатель скоростей – (Рисунок F)

2-х скоростной редуктор Вашего инструмента позволяет легко переключаться с одной скорости на другую для максимальной универсальности применения инструмента.

- Для установки низкой скорости/высокого крутящего момента (положение 1) выключите инструмент и дождитесь его полной остановки. Переведите переключатель скоростей (4) в направлении от патрона.
- Для установки высокой скорости/низкого крутящего момента (положение 2) выключите инструмент и дождитесь его полной остановки. Переведите переключатель скоростей назад в направлении патрона.
- Примечание: Не переключайте скорость при работающем инструменте. Если у Вас возникли проблемы при переключении скоростей, убедитесь, что переключатель скоростей полностью переведён вперёд или назад.

Быстрозажимной патрон - (Рисунок G)

ВНИМАНИЕ! Чтобы предотвратить внезапный запуск инструмента, перед установкой или снятием насадок убедитесь, что из инструмента извлечён аккумулятор.

Чтобы вставить сверло или другую насадку:

- Развернув патрон задней стороной к себе, обхватите патрон (5) и поворачивайте его в направлении против часовой стрелки.
- Вставьте хвостовик сверла или другой насадки в патрон до упора. Развернув патрон задней стороной к себе, надёжно затяните патрон, поворачивая его в направлении по часовой стрелке.

ВНИМАНИЕ! Не пытайтесь закрепить или ослабить сверло (или какую-либо другую насадку), захватив переднюю часть патрона и одновременно включив инструмент. Это может привести к повреждению патрона и получению травмы при смене насадок.

Заворачивание

- Для заворачивания саморезов полностью вдвиньте переключатель направления вращения влево.
- Для выкручивания саморезов используйте реверс (вдвинув переключатель вправо).

Примечание: При переключении направления вращения всегда сначала отпускайте курковый пусковой выключатель.

Сверление

- Всегда используйте только остро заточенные насадки.
- Поддерживайте и закрепляйте заготовку надлежащим образом, как описано в Инструкциях по технике безопасности.
- Используйте надлежащее и соответствующее защитное оборудование, как описано в Инструкциях по технике безопасности
- Обеспечьте безопасность рабочего места, как описано в Инструкциях по технике безопасности.
- Прилагая лёгкое давление на дрель, очень медленно начните сверление, пока высверливаемое отверстие не будет достаточного размера, чтобы из него не выскользнуло сверло.
- Прилагайте давление по прямой линии со сверлом. Давление должно быть достаточным для равномерного врезания сверла, но не слишком сильным, чтобы не вызвать останов двигателя или отклонение сверла.
- Крепко удерживайте дрель обеими руками, одной рукой обхватив основную рукоятку, другой рукой удерживая нижнюю часть аккумулятора или дополнительную рукоятку, если имеется.
- ПРИБЛИЖИТЕ ДАВЛЕНИЕ К МИНИМУМУ РИСК ВНЕЗАПНОГО ОСТАНОВА НЕ ПЫТАЙТЕСЬ ЗАПУСТИТЬ ДВИГАТЕЛЬ МНОГОКРАТНЫМ НАЖАТИЕМ НА КУРКОВЫЙ ПУСКОВОЙ ВЫКЛЮЧАТЕЛЬ. ЭТО МОЖЕТ ПРИВЕСТИ К ПОВРЕЖДЕНИЮ ДРЕЛИ.
- Для сведения к минимуму риск внезапного останова ослабьте прилагаемое давление и медленно закончите высверливание отверстия.
- Не выключайте двигатель при извлечении сверла из высверленного отверстия. Это позволит снизить риск заклинивания сверла.
- Убедитесь, что инструмент включается и выключается при нажатии и отпускании пускового выключателя.

Сверление в дереве

Для сверления в дереве можно также использовать спиральные сверла для металла или перьевые сверла для сверления древесины.

Данные сверла должны быть остро заточенными, и во время сверления их следует часто извлекать из отверстия для прочистки канавок от опилок.

Сверление в металле

При сверлении металлов используйте

смазочно-охлаждающую жидкость. Исключение составляют чугун и медь, которые сверлить без смазки. Наиболее эффективные смазочные материалы – сульфированная СОЖ.

Светодиодная подсветка

При нажатии на курковый пусковой выключатель (1) автоматически загорится встроенная светодиодная подсветка (8), освещая рабочую зону.

ПРИМЕЧАНИЕ: Подсветка служит для освещения рабочей поверхности и не предназначена для использования в качестве фонарика.

Хранение насадок

В основание инструмента встроено гнездо для хранения насадок (9).

Возможные неисправности и способы их устранения

| Проблема | Возможная причина | Возможное решение |
|---|---|--|
| Инструмент не включается. | Неправильно установлен аккумулятор. Аккумулятор не заряжен. | Проверьте правильность установки аккумулятора. Проверьте состояние заряда аккумулятора |
| Инструмент немедленно выключается при установке аккумулятора. | Пусковой выключатель был оставлен в положении «вкл.». | Для предотвращения запуска инструмента при установке аккумулятора пусковой выключатель должен быть установлен в положение «выкл.». |
| Аккумулятор не заряжается. | Аккумулятор не вставлен в зарядное устройство. Вилка зарядного устройства не подключена к розетке. Слишком высокая или слишком низкая температура окружающей среды. | Вставьте аккумулятор в зарядное устройство и дождитесь горения светодиодных индикаторов. Вставьте вилку зарядного устройства в рабочую розетку. Перенесите аккумулятор и зарядное устройство в место, где температура окружающей среды не ниже +4,5°C и не выше +40,5°C. |
| Инструмент внезапно отключается. | Аккумулятор достиг своего максимального теплового предела. Аккумулятор разряжен. (Чтобы максимально продлить срок службы аккумулятора, его конструкция предусматривает автоматическое отключение при чрезмерном истощении заряда). | Дайте аккумулятору полностью остыть. Установите аккумулятор в зарядное устройство и оставьте его заряжаться. |

ТЕХНИЧЕСКОЕ ОБСЛУЖИВАНИЕ

Ваш инструмент STANLEY рассчитан на работу в течение продолжительного времени при минимальном техническом обслуживании. Срок службы и надёжность инструмента увеличивается при правильном уходе и регулярной чистке.

Ваше зарядное устройство не требует никакого дополнительного технического обслуживания, кроме регулярной чистки.

ВНИМАНИЕ! Перед любыми видами работ по техническому обслуживанию извлекайте из инструмента аккумулятор. Перед чисткой зарядного устройства отключите его от источника питания.

- Регулярно очищайте вентиляционные отверстия вашего инструмента и зарядного устройства мягкой щёткой или сухой тканью.
- Регулярно очищайте корпус двигателя влажной тканью. Не используйте абразивные чистящие средства, а также чистящие средства на основе растворителей.
- Регулярно раскрывайте патрон и вытряхивайте из него всю накопившуюся пыль.

ЗАЩИТА ОКРУЖАЮЩЕЙ СРЕДЫ



Раздельный сбор. Данное изделие нельзя утилизировать вместе с обычными бытовыми отходами.

Если однажды Вы захотите заменить Ваш электроинструмент STANLEY, или Вы больше в нем не нуждаетесь, не выбрасывайте его вместе с бытовыми отходами. Отнесите изделие в специальный приемный пункт.



Фирма STANLEY обеспечивает прием и переработку отслуживших свой срок изделий STANLEY. Чтобы воспользоваться этой услугой, Вы можете сдать Ваше изделие в любой авторизованный сервисный центр, который собирает их по нашему поручению. Вы можете узнать место нахождения Вашего ближайшего авторизованного сервисного центра, обратившись в Ваш местный офис STANLEY по адресу, указанному в данном руководстве по эксплуатации. Кроме того, список авторизованных сервисных центров STANLEY и полную информацию о нашем послепродажном обслуживании и контактах Вы можете найти в интернете по адресу: www.2helpU.com.

Аккумуляторы



Аккумуляторы STANLEY можно подзаряжать неограниченное количество раз. По окончании срока службы утилизируйте отработанные аккумуляторы безопасным для окружающей среды способом:

- Полностью разрядите аккумулятор, затем извлеките его из инструмента.
- Li-Ion, NiCd и NiMH аккумуляторы подлежат переработке. Сдайте их в любой авторизованный сервисный центр или в местный пункт переработки.

ПРИМЕЧАНИЯ

Политика STANLEY нацелена на постоянное усовершенствование нашей продукции, поэтому фирма

оставляет за собой право изменять технические характеристики изделий без предварительного уведомления. Стандартное оборудование и дополнительные принадлежности могут меняться в зависимости от страны продаж. Технические характеристики продуктов могут различаться в зависимости от страны продаж. Полная линия продуктов присутствует на рынках не всех стран. Для получения информации касательно линии продуктов в Вашей стране обратитесь в ближайший сервисный центр STANLEY

ИНФОРМАЦИЯ ПО ТЕХНИЧЕСКОМУ ОБСЛУЖИВАНИЮ

STANLEY имеет обширную сеть принадлежащих компании и авторизованных сервисных центров. В целях предоставления клиентам эффективного и надёжного технического обслуживания электроинструментов во всех сервисных центрах STANLEY работает обученный персонал. За дополнительной информацией о наших авторизованных сервисных центрах, а также, если Вы нуждаетесь в технической консультации, ремонте или покупке оригинальных запасных частей, обратитесь в ближайший к Вам сервисный центр STANLEY.

ТЕХНИЧЕСКИЕ ХАРАКТЕРИСТИКИ

| | | SCD20 | SCD201 |
|--------------------------------|--------------|--------------|--------------|
| Напряжение питания | В пост. тока | 18V | 18V |
| Скорость без нагрузки | об/мин | 0-350/0-1500 | 0-350/0-1500 |
| Макс. крутящий момент | Нм | 45 | 45 |
| Держатель насадок | мм | 13 | 13 |
| Максимальный диаметр сверления | | | |
| Дерево | мм | 35 | 35 |
| Сталь | мм | 13 | 13 |
| Вес | кг | 1,6 | 1,6 |

| Зарядное устройство | | SC201 | SC202 |
|-------------------------------|---------------|---------|---------|
| Входное напряжение | В перем. тока | 220-240 | 220-240 |
| Выходное напряжение | В пост. тока | 18 | 18 |
| Выходной ток | мА | 1000 | 2000 |
| Приблизительное время зарядки | мин. | 80-240 | 40-120 |

| Аккумулятор | | SB20C | SB20S | SB20D | SB20M |
|-------------|--------------|--------|--------|--------|--------|
| Напряжение | | | | | |
| питания | В пост. тока | 18 | 18 | 18 | 18 |
| Ёмкость | Ач | 1,3 | 1,5 | 2,0 | 4,0 |
| Тип | | Li-Ion | Li-Ion | Li-Ion | Li-Ion |

Уровень звукового давления в соответствии с EN 60745:

| | | |
|--|-------|----|
| Звуковое давление (L_{pA}) | дБ(A) | 72 |
| Погрешность звукового давления (K_{pA}) | дБ(A) | 3 |
| Акустическая мощность (L_{WA}) | дБ(A) | 83 |
| Погрешность измерения акустической мощности (K_{WA}) | дБ(A) | 3 |

Сумма величин вибрации (сумма векторов по трём осям), измеренных в соответствии со стандартом EN 60745.

| | | |
|---|---------|-----|
| Сверление в металле (a_{hD}) = | m/s^2 | 1.7 |
| Погрешность (K) = | m/s^2 | 1.5 |
| Заворачивание без нагрузки (a_{hT}) | m/s^2 | 1.0 |
| Погрешность (K) = | m/s^2 | 1.5 |

ВИБРАЦИЯ

Значения уровня вибрации, указанные в технических характеристиках инструмента и декларации соответствия, были измерены в соответствии со стандартным методом определения вибрационного воздействия согласно EN60745 и могут использоваться при сравнении характеристик различных инструментов. Приведённые значения уровня вибрации могут также использоваться для предварительной оценки величины вибрационного воздействия.



ВНИМАНИЕ! Значения вибрационного воздействия при работе с электроинструментом зависят от вида работ, выполняемых данным инструментом, и могут отличаться от заявленных значений. Уровень вибрации может превышать заявленное значение.

При оценке степени вибрационного воздействия для определения необходимых защитных мер (2002/44/EC) для людей, использующих в процессе работы электроинструменты, необходимо принимать во внимание действительные условия использования электроинструмента, учитывая все составляющие рабочего цикла, в том числе время, когда инструмент находится в выключенном состоянии, и время, когда он работает без нагрузки, а также время его запуска и отключения.

**Декларация соответствия ЕС
ДИРЕКТИВА ПО МЕХАНИЧЕСКОМУ
ОБОРУДОВАНИЮ**



SCD20/ SCD201- Дрель/шуруповёрт

STANLEY заявляет, что продукты, обозначенные в разделе «Технические характеристики», разработаны в полном соответствии со стандартами: 2006/42/EC, EN 60745-1:2009 + A11:2010, EN 60745-2-1:2010

Данные продукты также соответствуют Директивам 2014/30/EU и 2011/65/EU. За дополнительной информацией обращайтесь в STANLEY по указанному ниже адресу или по адресу, указанному на последней странице руководства.

Нижеподписавшееся лицо полностью отвечает за соответствие технических данных и делает это заявление от имени фирмы STANLEY.

R.Laverick

Руководитель отдела технических разработок
STANLEY, Europe, Egide Walschaertsstraat 14-18,
2800 Mechelen, Belgium
03.2017

STANLEY

Гарантийные условия

Уважаемый покупатель!

1. Поздравляем Вас с покупкой высококачественного изделия STANLEY и выражаем признательность за Ваш выбор.

2. При покупке изделия требуйте проверки его комплектности и исправности в Вашем присутствии, инструкцию по эксплуатации и заполненный гарантийный талон на русском языке.

В гарантийном талоне должны быть внесены: модель, дата продажи, серийный номер, дата производства инструмента; название, печать и подпись торговой организации. При отсутствии у Вас правильно заполненного гарантийного талона, а также несоответствия указанных в нем данных мы будем вынуждены отклонить Ваши претензии по качеству данного изделия.

3. Во избежание недоразумений убедительно просим Вас перед началом работы с изделием внимательно ознакомиться с инструкцией по его эксплуатации. Правовой основой настоящих гарантийных условий является действующее Законодательство. Гарантийный срок на данное изделие составляет 24 месяца и исчисляется со дня продажи. В случае устранения недостатков изделия, гарантийный срок продлевается на период его нахождения в ремонте. Срок службы изделия составляет 5 лет со дня продажи.

4. В случае возникновения каких-либо проблем в процессе эксплуатации изделия рекомендуем Вам обратиться только в уполномоченные сервисные центры STANLEY, адреса и телефоны которых Вы сможете найти в гарантийном талоне, на сайте www.2helpU.com или узнать в магазине. Наши сервисные станции - это не только квалифицированный ремонт, но и широкий ассортимент запчастей и принадлежностей.

5. Производитель рекомендует проводить периодическую проверку и техническое обслуживание изделия в уполномоченных сервисных центрах.

6. Наши гарантийные обязательства распространяются только на неисправности, выявленные в течение гарантийного срока и вызванные дефектами производства и \ или материалов.

7. Гарантийные условия не распространяются на неисправности изделия, возникшие в результате:

7.1. Несоблюдения пользователем предписаний инструкции по эксплуатации изделия, применения изделия не по назначению, неправильном хранении, использования принадлежностей, расходных материалов и запчастей, не предусмотренных производителем.

7.2. Механического повреждения (сколы, трещины и разрушения) внутренних и внешних деталей изделия, основных и вспомогательных рукояток, сетевого электрического кабеля, вызванного внешним ударным или любым иным воздействием

7.3. Попадания в вентиляционные отверстия и проникновение внутрь изделия посторонних предметов, материалов или веществ, не являющихся отходами, сопровождающими применение изделия по назначению, такими как: стружка, опилки, песок, и пр.

7.4. Воздействий на изделие неблагоприятных атмосферных и иных внешних факторов, таких как дождь, снег, повышенная влажность, нагрев, агрессивные среды, несоответствие параметров питающей электросети, указанных на инструменте.

7.5. Стихийного бедствия. Повреждение или утрата изделия, связанное с непредвиденными бедствиями, стихийными явлениями, в том числе вследствие действия непреодолимой силы (пожар, молния, потоп и другие природные явления), а так же вследствие перепадов напряжения в электросети и другими причинами, которые находятся вне контроля производителя.

8. Гарантийные условия не распространяются:

8.1. На инструменты, подвергшиеся вскрытию, ремонту или модификации вне уполномоченного сервисного центра.

8.2. На детали и узлы, имеющие следы естественного износа, такие как:

приводные ремни и колеса, угольные щетки, смазка, подшипники, зубчатое зацепление редукторов, резиновые уплотнения, сальники, направляющие ролики, муфты, выключатели, бойки, толкатели, стволы, и т.п.

8.3. На сменные части: патроны, цанги, зажимные гайки и фланцы, фильтры, аккумуляторные батареи, ножи, шлифовальные подошвы, цепи, звездочки, пыльные шины, защитные кожухи, пилки, абразивы, пыльные и абразивные диски, фрезы, сверла, буры и т.п.

8.4. На неисправности, возникшие в результате перегрузки инструмента (как механической, так и электрической), повлекшей выход из строя одновременно двух и более деталей и узлов, таких как: ротора и статора, обеих обмоток статора, ведомой и ведущей шестерни редуктора или других узлов и деталей. К безусловным признакам перегрузки изделия относятся, помимо прочего: появление цветов побелости, деформация или оплавление деталей и узлов изделия, потемнение или обугливание изоляции проводов электродвигателя под воздействием высокой температуры.

EAC

Изготовитель

Блэк энд Деккер Холдингс ГмБХ
Германия, 65510, Идштайн,
ул. Блэк энд Деккер, 40



Приложение к руководству по эксплуатации электроинструмента

Дрели-шуруповерты

Модели: BDCDD12*-*, BDCDD18*-*, BDCDD8*-*, BDCDD186*-*, BDCDD18*-*, BDCDD12*-*, BDCHD12*-*, LD12*-*, EPC12CAKA*-*, EPC12*-*, EPC182K2*-*, EPC182*-*, BDCH188*-*, BDCHD18*-*, BDH18K*-*, BDH18*-*, BDK188K*-*, BDK188*-*, EGBHP1881*-*, BDK188*-*, EGBHP1881*-*, CS3651*-*, CS3652*-*, CS3653*-*, DCD700*-*, DCD731*-*, DCD791*-*, DCD792*-*, DCD932*-*, DCD990*-*, DCD991*-*, DCD992*-*, DCD796*-*, DCD797*-*, DCD937*-*, DCD996*-*, DCD997*-*, DCF620*-*, DCF621*-*, DCF682*-*, DCF885*-*, DCF888*-*, FMC010PR*-*, FMC011*-*, FMC011S*-*, FMC600M2*-*, FMC600*-*, FMC601*-*, FMC635*-*, FMC020S*-*, FMC020*-*, FMC520LB*-*, FMC620PR*-*, FMC620*-*, FMC625*-*, FMC625PR*-*, FMC625*-*, FMC626C2*-*, FMC040*-*, FMC041S*-*, FMC041*-*, FMC640*-*, FMC645*-*, FMCCK12*-*, FMCCK12*-*, FMCCK621*-*, SCD12*-*, SCD20*-*, STCD1081*-*, STCD1200*-*, STCD12*-*, STCD20*-*, STCD001*-*, STCD012*-*, STCD100*-*, STCD1081*-*, STCD108LD*-*, STCD108L*-*, STCD108*-*, STCD18LD*-*, STCD18*-*, STPC001L*-*, SHC12S*-*, SCH12*-*, SCH20*-*, SCH20*-*, STCH1200B2*-*, STCH12*-*, STCH20*-*, STDC18HBK*-*, STDC18LHB*-*, SCI12*-*, STCI1081*-*, STCI1200*-*, STCI12*-*, STCI1440*-*, STDC041*-*, SC12S*-*, где * - не более 5 символов (буква от «А» до «Z» и/или цифра от 0 до 9, знак дефис или их отсутствие)

СЕРТИФИКАТ СООТВЕТСТВИЯ № RU С-DE.АЯ46.В.84366
 Действителен до: 11 марта 2021 г.
 Выдан: Орган по сертификации "РОСТЕСТ - Москва", Адрес: 119049, г. Москва, улица Житная, д. 14, стр. 1; 117418, Москва, Нахимовский просп., 31 (фактический), Телефон: (499) 1292311, (495) 6682893, Факс: (495) 6682893, E-mail: office@rostest.ru
 Изготовитель: Изготовитель: Блэк энд Деккер Холдингс ГмбХ, Германия, 65510, Идштайн, ул. Блэк энд Деккер, 40, тел. +496126212790.

Хранение.

Необходимо хранить в сухом месте, вдали от источников повышенных температур и воздействия солнечных лучей. При хранении необходимо избегать резкого перепада температур. Хранение без упаковки не допускается

Срок службы.

Срок службы изделия составляет 5 лет. Не рекомендуется к эксплуатации по истечении 5 лет хранения с даты изготовления без предварительной проверки.

Дата изготовления (код даты) указана на корпусе инструмента. Код даты, который также включает год изготовления, отштампован на поверхности корпуса изделия.

Пример:

2014 46 XX, где 2014 –год изготовления, 46-неделя изготовления. Определить месяц изготовления по указанной неделе изготовления можно согласно приведенной ниже таблице.

Уполномоченное изготовителем юр.лицо:
 ООО "Стэнли Блэк энд Деккер", 117485, город Москва, улица Обручева, дом 30/1, строение 2
 Телефон: + 7 (495) 258-3981, факс: + 7 (495) 258-3984, E-mail: inbox@dewalt.com
 Сведения о импортере указаны в сопроводительной документации и/или на упаковке
Транспортировка.
 Категорически не допускается падение и любые механические воздействия на упаковку при транспортировке.
 При разгрузке/погрузке не допускается использование любого вида техники, работающей по принципу зажима упаковки.
Перечень критических отказов, возможные ошибочные действия персонала.
 Не допускается эксплуатация изделия:
 -При появлении дыма из корпуса изделия
 -При поврежденном и/или оголенном сетевом кабеле
 -при повреждении корпуса изделия, защитного кожуха, рукоятки
 -при попадании жидкости в корпус
 -при возникновении сильной вибрации
 -при возникновении сильного искрения внутри корпуса
Критерии предельных состояний.
 -При поврежденном и/или оголенном сетевом кабеле
 -при повреждении корпуса изделия

| Месяц | Январь | Февраль | Март | Апрель | Май | Июнь | Июль | Август | Сентябрь | Октябрь | Ноябрь | Декабрь | Год производства |
|--------|--------|---------|------|--------|-----|------|------|--------|----------|---------|--------|---------|------------------|
| | 01 | 05 | 09 | 13 | 17 | 22 | 26 | 31 | 35 | 39 | 44 | 48 | |
| Неделя | 02 | 06 | 10 | 14 | 18 | 23 | 27 | 32 | 36 | 40 | 45 | 49 | 2016 |
| | 03 | 07 | 11 | 15 | 19 | 24 | 28 | 33 | 37 | 41 | 46 | 50 | |
| | 04 | 08 | 12 | 16 | 20 | 25 | 29 | 34 | 38 | 42 | 47 | 51 | |
| | 05 | 09 | 13 | 17 | 21 | 26 | 30 | 35 | 39 | 43 | 48 | 52 | |
| | | | | | 22 | | | | | 44 | | | |
| Неделя | 01 | 05 | 09 | 13 | 18 | 22 | 26 | 31 | 35 | 39 | 44 | 48 | 2017 |
| | 02 | 06 | 10 | 14 | 19 | 23 | 27 | 32 | 36 | 40 | 45 | 49 | |
| | 03 | 07 | 11 | 15 | 20 | 24 | 28 | 33 | 37 | 41 | 46 | 50 | |
| | 04 | 08 | 12 | 16 | 21 | 25 | 29 | 34 | 38 | 42 | 47 | 51 | |
| | 05 | 09 | 13 | 17 | 22 | 26 | 30 | 35 | 39 | 43 | 48 | 52 | |
| | | | | | 31 | | | | 44 | | | | |
| Неделя | 01 | 05 | 09 | 14 | 18 | 22 | 26 | 31 | 35 | 40 | 44 | 48 | 2018 |
| | 02 | 06 | 10 | 15 | 19 | 23 | 27 | 32 | 36 | 41 | 45 | 49 | |
| | 03 | 07 | 11 | 16 | 20 | 24 | 28 | 33 | 37 | 42 | 46 | 50 | |
| | 04 | 08 | 12 | 17 | 21 | 25 | 29 | 34 | 38 | 43 | 47 | 51 | |
| | 05 | 09 | 13 | 18 | 22 | 26 | 30 | 35 | 39 | 44 | 48 | 52 | |
| | | | | | 31 | | | | 44 | | | | |
| Неделя | 01 | 05 | 09 | 14 | 18 | 22 | 27 | 31 | 35 | 40 | 45 | 48 | 2019 |
| | 02 | 06 | 10 | 15 | 19 | 23 | 28 | 32 | 36 | 41 | 46 | 49 | |
| | 03 | 07 | 11 | 16 | 20 | 24 | 29 | 33 | 37 | 42 | 47 | 50 | |
| | 04 | 08 | 12 | 17 | 21 | 25 | 30 | 34 | 38 | 43 | 48 | 51 | |
| | 05 | 09 | 13 | 18 | 22 | 26 | 31 | 35 | 39 | 44 | 49 | 52 | |
| | | | | | | | | 40 | | | | | |
| Неделя | 01 | 05 | 09 | 14 | 18 | 23 | 27 | 31 | 36 | 40 | 44 | 49 | 2020 |
| | 02 | 06 | 10 | 15 | 19 | 24 | 28 | 32 | 37 | 41 | 45 | 50 | |
| | 03 | 07 | 11 | 16 | 20 | 25 | 29 | 33 | 38 | 42 | 46 | 51 | |
| | 04 | 08 | 12 | 17 | 21 | 26 | 30 | 34 | 39 | 43 | 47 | 52 | |
| | 05 | 09 | 13 | 18 | 22 | 27 | 31 | 35 | 40 | 44 | 48 | 53 | |
| | | | 14 | | | | 36 | | | 49 | | | |

ПРИЗНАЧЕННЯ

Дриль/шурупверт STANLEY SCD20-SCD201 призначений для вкручування шурупів та свердління дерева, металів та пластмас. Даний інструмент призначено для професійного використання.

ВКАЗІВКИ З ТЕХНІКИ БЕЗПЕКИ

Загальні вказівки щодо безпечної роботи з електричним інструментом



УВАГА! Необхідно ретельно ознайомитись із усіма попереджувальними знаками, вказівками щодо безпечної роботи, графічними матеріалами та технічними описами, що додаються до цього електричного інструмента. Недотримання вказівок щодо безпечної роботи може призвести до ураження електричним струмом, пожежі та/або серйозних травм персоналу.

Зберігайте всі попереджувальні написи та вказівки щодо безпечної роботи для використання в майбутньому. Термін «електричний інструмент», що використовується у всіх застережливих написах та вказівках щодо техніки безпеки, представлених нижче, відноситься до електричного інструменту, що працює від мережі (зі шнуром електроживлення) або від акумуляторної батареї (без шнура живлення).

1. Вказівки з техніки безпеки на робочому місці

- a. **Утримуйте робоче місце в чистоті і добре освітленим.** Безлад або погане освітлення на робочому місці можуть призвести до нещасного випадку.
- b. **Не працюйте з електроінструментом в місці зберігання вибухонебезпечних матеріалів, наприклад, у присутності легкозаймистих рідин, газів або пилу.** Електричні інструменти створюють іскри, що можуть запалити пил або пари.
- c. **Забороняється перебування дітей та сторонніх осіб поблизу працюючого електричного інструменту.** Ви можете відволіктися і втратити контроль за роботою інструменту.

2. Електрична безпека

- a. **Вилка шнура живлення інструмента повинна відповідати мережевій розетці.** Забороняється вносити будь-які зміни у вилку шнура живлення. **Не використовуйте жодних вилок-перехідників із заземленими (зануленими) електроінструментами.** Відсутність змін у вилках шнурів живлення та відповідність електричних вилок і розеток знижує ризик ураження електричним струмом.
- b. **Не торкайтеся поверхонь заземлених чи занулених предметів, наприклад труб, радіаторів, електроплит або холодильників.** Заземлення чи занулення тіла підвищує ризик ураження електричним струмом.
- c. **Забороняється піддавати електричні інструменти впливу дощу чи підвищеної вологості.** При попаданні вологи всередину електричного інструмента підвищується ризик ураження електричним струмом.

- d. **Забороняється пошкоджувати шнур живлення. У жодному разі не використовуйте шнур живлення для перенесення чи зміни положення інструмента; не тягніть за шнур, виймаючи вилку з розетки. Не прокладайте шнур живлення поруч із гарячими предметами, мастилом, гострими краями і рухомими деталями.** Пошкодження й заплутування шнурів живлення підвищує ризик ураження електричним струмом.
 - e. **Під час роботи з електричним інструментом за межами приміщень використовуйте відповідний подовжувач.** Використання подовжувача, призначеного для роботи поза приміщеннями, знижує ризик ураження електричним струмом.
 - f. **Якщо електричним інструментом необхідно користуватись у вологому місці, слід використовувати пристрій захисного відключення (ПЗВ) електричної мережі.** Використання ПЗВ знижує ризик ураження електричним струмом.
- 3. Особиста безпека**
- a. **Під час роботи з електричним інструментом необхідно бути обачним, слідкувати за виконуваною роботою та керуватися здоровим глуздом.** Забороняється працювати з електричним інструментом у стані втоми чи під впливом наркотиків, алкоголю й лікарських препаратів. Ослаблення уваги навіть на мить може призвести до серйозної травми.
 - b. **Використовуйте засоби індивідуального захисту. Завжди користуйтеся засобами захисту очей.** Використання у відповідних умовах засобів індивідуального захисту, наприклад пилозахисної маски, протиковзкого захисного взуття, захисної каски або засобів захисту органів слуху, завжди знижує ризик отримання травми.
 - c. **Не допускайте ненавмисного вмикання інструмента.** Перш ніж підключити джерело живлення та/або акумулятор, підніміть чи перенесіть інструмент, переконайтесь, що його вимикач переведено у положення «вимкнено». Якщо тримати палець на вимикачі під час перенесення інструмента чи підключати до мережі увімкнений інструмент, це підвищує ризик нещасного випадку.
 - d. **Перш ніж увімкнути електричний інструмент, обов'язково вийміть із нього регульовальний чи гайковий ключ.** Ключ, залишений ключ на обертальній деталі інструмента, може призвести до травмування.
 - e. **Не намагайтеся дотягнутися до важкодоступних місць.** Завжди тримайтеся на ногах і зберігайте рівновагу під час роботи. Це дозволяє краще контролювати електричний інструмент у непередбачуваних ситуаціях.
 - f. **Необхідно використовувати захисний одяг.** Забороняється одягати вільний одяг та прикраси. Волосся та одяг мають знаходитися на безпечній відстані від рухомих деталей інструменту. Вільний одяг, прикраси чи довге волосся можуть бути захоплені рухомими елементами.

- g. Якщо встановлені пристрої підключення засобів пилословлювання та пилозбірників, необхідно перевіряти, щоб вони були підключені та використовувалися належним чином.** Використання цих пристроїв знижує рівень ризику, пов'язаного з пилом.
- h. Досвід роботи з електричним інструментом та часте його використання не повинні ставати причиною легковажного ставлення до правил безпечної експлуатації чи їх ігнорування.** Легковажне ставлення навіть на частку секунди може призвести до серйозної травми.
- 4. Використання та догляд за електричним інструментом**
 - a. Не застосовуйте надмірне зусилля до електричного інструмента. Використовуйте електричний інструмент тільки за призначенням.** Правильно підібраний електроінструмент дозволить виконати роботу краще і безпечніше при швидкості, для якої він був розроблений.
 - b. Забороняється використовувати цей електричний інструмент, якщо не вдається ввімкнути чи вимкнути його вимикачем.** Будь-який електричний інструмент, роботою якого неможливо керувати за допомогою вимикача, є небезпечним, і його обов'язково потрібно відремонтувати.
 - c. Перш ніж регулювати електричний інструмент, замінювати на ньому приладдя чи класти на зберігання, необхідно витягти вилку живлення з розетки та/або від'єднати від нього акумулятор.** Такий запобіжний захід безпеки знижує ризик ненавмисного увімкнення інструменту.
 - d. Зберігайте електричний інструмент, який в даний момент не використовується, в недоступному для дітей місці та не дозволяйте працювати з інструментом особам, які не знайомі з ним або з цими вказівками.** Електричний інструмент є небезпечним в руках ненавченої людини.
 - e. Здійсніть технічне обслуговування електроінструмента та приладдя. Перевіряйте центрування та з'єднання рухомих деталей, наявність пошкоджених деталей та будь-які фактори, які можуть негативно позначитися на роботі електричного інструмента.** У разі виявлення пошкодження електричний інструмент необхідно відремонтувати перед використанням. Багато нещасних випадків трапляється через неналежне технічне обслуговування електричних інструментів.
 - f. Ріжучі інструменти мають бути загостреними й чистими.** Підтримуваний у належному робочому стані ріжучий інструмент з гострими лезами менше застряє, ним легше керувати.
 - g. Використовуйте електричний інструмент, приладдя, вставні свердла і т. п. відповідно до даних вказівок, враховуючи умови експлуатації та роботу, яка має бути виконана.** Використання електричного інструменту не за призначенням може призвести до небезпечної ситуації.
 - h. Необхідно забезпечувати відсутність бруду, вологи та залишків оливи та мастила на**

рукоятках та поверхнях утримання інструменту. Слизькі рукоятки та поверхні утримання є джерелами небезпеки під час роботи з електричним інструментом та не дозволяють надійно керувати інструментом в нештатних ситуаціях.

- 5. Використання та догляд за акумуляторною батареєю**
 - a. Зарядка акумуляторної батареї повинна виконуватися тільки за допомогою того зарядного пристрою, який вказав виробник акумуляторної батареї.** Якщо зарядний пристрій, який підходить для одного типу акумулятора, використовувати для зарядки акумулятора іншого типу, це може призвести до виникнення пожежонебезпечної ситуації.
 - b. Використовуйте електричний інструмент тільки з конкретно зазначеними акумуляторними батареями.** Використання будь-яких інших акумуляторних батарей підвищує ризик травмування та виникнення пожежонебезпечної ситуації.
 - c. Якщо акумуляторна батарея не використовується, вона повинна зберігатися окремо від металевих предметів, таких як канцелярські скріпки, монети, ключі, цвяхи, шурупи та інші невеликі металеві предмети, які можуть закоротити клеми батареї.** Закорочування клем акумулятора може призвести до отримання опіків або пожежі.
 - d. В умовах неправильної експлуатації рідкий електроліт може бути викинутий з акумуляторної батареї, тому слід остерігатися контакту з електролітом.** Якщо стався випадковий контакт з рідким електролітом, промийте це місце водою. Якщо рідина потрапила в очі, необхідно також звернутися за медичною допомогою. Контакт з рідиною, викинутою з акумуляторної батареї, може призвести до подразнення або опіків.
- 6. Обслуговування**
 - a. Обслуговувати електричний інструмент повинен тільки кваліфікований ремонтний персонал із використанням лише ідентичних запасних частин.** Це забезпечить утримання електричного інструменту у безпечному стані.

ДОДАТКОВІ ЗАСТЕРЕЖЕННЯ З ТЕХНІКИ БЕЗПЕКИ ПРИ РОБОТІ З ЕЛЕКТРИЧНИМ ІНСТРУМЕНТОМ



УВАГА! Додаткові вказівки щодо безпечної роботи з дрилем/шурупвертом.

- **При роботі з ударними дрелями надягайте засоби захисту органів слуху.** Вплив шуму може призвести до порушення слуху.

- **Використовуйте допоміжні рукоятки, які поставляються разом з інструментом.** Втрата управління інструментом може призвести до травмування.
- **Під час виконання робіт, коли ріжуча деталь електричного інструменту може стикатися з прихованою електропроводкою, інструмент необхідно тримати за діелектричну поверхню.** При контакті ріжучої деталі з проводом під напругою, під напругу можуть потрапити металеві деталі електричного інструменту, внаслідок чого виникає небезпека ураження оператора електричним струмом.
- **Під час виконання робіт, коли кріпильна деталь електричного інструменту може стикатися з прихованою електропроводкою, інструмент необхідно тримати за діелектричну поверхню.** При контакті кріпильної деталі з проводом під напругою, під напругу можуть потрапити металеві деталі електричного інструменту, внаслідок чого виникає небезпека ураження оператора електричним струмом.
- **Для фіксації положення оброблюваної деталі на стійкій основі використовуйте затискачі або інший зручний і практичний спосіб.** Якщо тримати деталь руками або притискати її до тіла, вона буде перебувати в незакріпленому положенні, що може призвести до втрати контролю за роботою інструменту.
- Перед виконанням свердління стін, підлог і стель перевіряйте розташування електропроводки і труб.
- Не торкайтеся наконечника свердла дрилу після свердління, оскільки він може бути гарячим.
- Призначення інструменту описане в цій інструкції з експлуатації. Використання будь-якого приладдя і додаткових пристосувань разом з цим інструментом або використання інструменту в цілях, які не рекомендовані в цій інструкції, може призвести до виникнення ризику травмування персоналу та пошкодження майна.

БЕЗПЕКА ІНШИХ ОСІБ

- Цей інструмент не призначений для використання особами (включаючи дітей) з обмеженими фізичними, сенсорними або розумовими здібностями або особами, у яких відсутній необхідний досвід і знання, крім випадків, коли вони знаходяться під наглядом і отримали належні інструкції по роботі з інструментом від особи, відповідальної за їхню безпеку.
- Щоб діти не гралися з інструментом, вони повинні знаходитися під наглядом.

Залишковий ризик

Додатковий залишковий ризик може виникнути у випадках використання інструменту, які можуть бути не

враховані в перерахованих вказівках щодо безпечної роботи. Такий ризик може виникати при неправильному використанні, тривалому використанні та ін.

Навіть при дотриманні всіх відповідних правил техніки безпеки та використанні захисних пристроїв деякий залишковий ризик все ж залишається. Він включає:

- Травми, отримані при торканні обертових і рухомих деталей.
- Травми, отримані при заміні деталей, ножів та приладдя.
- Травми, отримані внаслідок тривалого використання інструменту. При тривалому використанні інструменту необхідно робити регулярні перерви в роботі.
- Погіршення слуху.
- Шкода для здоров'я, викликана вдиханням пилу, яка з'являється під час роботи інструменту (наприклад, при роботі з деревом, особливо з дубом, буком або ДВП).

ЕЛЕКТРИЧНА БЕЗПЕКА



Ваш зарядний пристрій має подвійну ізоляцію, і тому дрід заземлення йому не потрібен. Завжди перевіряйте, щоб мережева напруга відповідала значенню, зазначеному в таблиці з паспортними даними. Ніколи не намагайтеся замінити вилку в блоці зарядного пристрою звичайною мережевою вилкою.

- У разі пошкодження кабелю живлення, щоб уникнути виникнення небезпечних ситуацій, його заміну повинен виконати виробник обладнання або уповноважений сервісний центр STANLEY.

ДОДАТКОВІ ВКАЗІВКИ ЩОДО БЕЗПЕЧНОГО ВИКОРИСТАННЯ АКУМУЛЯТОРНИХ БАТАРЕЙ ТА ЗАРЯДНИХ ПРИСТРОЇВ

Акумуляторні батареї

- Незалежно від причини, ніколи не намагайтеся відкрити акумуляторну батарею.
- Не піддавайте акумулятор дії води.
- Не зберігайте акумуляторні батареї в місцях, де температура повітря може перевищувати 40 °С.
- Зарядку акумуляторної батареї необхідно виконувати при температурі навколишнього повітря в межах від 10 °С до 40 °С.
- Зарядку акумуляторної батареї необхідно виконувати тільки за допомогою зарядного пристрою, що поставляється разом з батареєю.
- Утилізацію акумуляторних батарей необхідно проводити відповідно до вказівок, що містяться в розділі «Захист навколишнього середовища».



Не намагайтеся заряджати пошкоджені акумуляторні батареї.

Зарядні пристрої

- Використовуйте зарядний пристрій STANLEY тільки для зарядки акумуляторної батареї для інструменту, з яким вона була поставлена. При зарядці інших акумуляторних батарей може статись вибух, який призведе до травмування людей і пошкодження майна.
- Ніколи не намагайтеся заряджати неперезарядні акумуляторні батареї.
- Пошкоджені електричні шнури необхідно замінювати негайно.
- Не піддавайте зарядний пристрій впливу води.
- Не відкривайте зарядний пристрій.
- Не вимірюйте характеристики зарядного пристрою електричними приладами.



Зарядний пристрій призначений тільки для використання у приміщенні.



Перед його використанням прочитайте інструкцію з експлуатації.

НАКЛЕЙКИ НА ІНСТРУМЕНТІ

До поверхні інструменту разом з кодом дати прикріплені наступні графічні зображення:



УВАГА! Для зниження ризику травмування оператор повинен прочитати цю інструкцію з експлуатації.



Завжди використовуйте захисні окуляри



Завжди використовуйте засоби захисту органів слуху

Розташування коду дати

Код дати, який також включає рік виготовлення, друкується на корпусі.

Приклад:

2017 XX JN

Рік виготовлення

КОМПЛЕКТ ПОСТАВКИ

Комплект поставки включає:

- 1 дріль/шуруповерт
- 1 зарядний пристрій
- 2 акумулятори (C2/S2/D2) або 1 акумулятор (C1/S1/D1)
- 1 Інструкцію з експлуатації
- Після отримання інструменту перевірте, чи не були пошкоджені сам інструмент, його складові частини та допоміжні пристрої під час перевезення.
- Перед початком експлуатації інструменту знайдіть час для того, щоб прочитати цю інструкцію і зрозуміти особливості роботи з інструментом.

ХАРАКТЕРИСТИКИ (рис. А)

Цей побутовий прилад може мати всі або деякі з перерахованих нижче функцій.

1. Пусковий перемикач
2. Перемикач прямого/зворотного напрямку обертання
3. Кільце регулювання крутного моменту
4. Двобічний перемикач швидкостей обертання
5. Безключовий швидкозатискний патрон
6. Акумуляторна батарея
7. Кнопка розблокування акумуляторної батареї
8. Світлодіод робочого освітлення
9. Утримувач головок насадок

ВИКОРИСТАННЯ

УВАГА! Дайте можливість інструменту працювати із притаманною йому швидкістю. Не перевантажуйте його.

ЗАРЯДКА АКУМУЛЯТОРНОЇ БАТАРЕЇ

Заряджання акумуляторної батареї необхідно виконувати перед її першим використанням, а також якщо вона не забезпечує достатньої потужності для виконання робіт, які раніше виконувалися легко та швидко. Під час зарядки акумуляторна батарея може нагріватися; це нормально і не означає наявності проблеми.

УВАГА! Заборонено заряджати акумуляторну батарею при температурі повітря нижче 10 °C і вище 40 °C. Рекомендована температура повітря для зарядки складає близько 24°C.

ПРИМІТКА: зарядний пристрій не буде заряджати акумуляторну батарею, якщо температура її елементів становить приблизно нижче 10 °C або вище 40°C. Акумулятор треба залишати у зарядному пристрої, який автоматично почне виконувати зарядку, коли температура елемента ввійде у вказані межі (підніметься або знизиться).

- Перш ніж вставляти акумуляторну батарею, увімкніть зарядний пристрій в розетку.
- Вставте акумуляторну батарею в зарядний пристрій.



Зелений світлодіодний індикатор почне блимати, що вказує на початок заряджання.



Після завершення заряджання зелений індикатор горить безперервно. Акумуляторна батарея повністю заряджена та готова до використання. Її можна залишити у зарядному пристрої.

УВАГА! Заряджайте розряджені акумуляторні батареї якомога скоріше, інакше строк служби батареї може суттєво скоротитися.

Діагностика зарядного пристрою

Зарядний пристрій може виявляти деякі несправності акумуляторної батареї або джерела живлення. Ці проблеми позначаються блиманням індикатора у певній послідовності.

ВАЖЛИВІ ПРИМІТКИ ЩОДО ЗАРЯДЖАННЯ

- Для продовження строку служби та досягнення оптимальних експлуатаційних характеристик заряджайте акумуляторну батарею при температурі 18–24 °С. Заборонено заряджати акумуляторну батарею при температурі повітря нижче +4,5 °С і вище +40,5 °С. Важливо дотримуватися даної умови, це захистить батарею від серйозних пошкоджень.
- В процесі заряджання зарядний пристрій та акумуляторна батарея можуть нагріватися. Це нормальне явище і не вказує на наявність проблеми. Для кращого охолодження акумуляторної батареї після використання не розміщуйте зарядний пристрій або акумуляторну батарею в теплому середовищі, наприклад, під металевим навісом або в причепі без теплоізоляції.
- Якщо акумуляторна батарея не заряджається належним чином:
 - перевірте струм в розетці, підключивши до неї лампу або інший прилад;
 - перевірте, чи з'єднана розетка з вимикачем світла, який відключає живлення, коли ви вимикаєте світло;
 - перемістіть зарядний пристрій і акумулятор в місце, де температура становить приблизно 18–24 °С. d. Якщо проблеми із заряджанням не зникли, відправте інструмент, акумулятор і зарядний пристрій до найближчого сервісного центру STANLEY.
- Акумуляторну батарею слід заряджати, коли вона не забезпечує достатню потужність для виконання робіт, на які раніше вистачало потужності.
- НЕ ПРОДОВЖУЙТЕ використовувати акумуляторну батарею в таких умовах. Зарядіть батарею.
- Частково розряджену акумуляторну батарею можна заряджати без негативних наслідків для неї.

ПРИМІТКА: Впевніться в тому, що акумулятор (6) повністю заряджений.

Встановлення акумулятора в рукоятку інструменту - (рис. В)

- Поставте акумулятор на направляючі, що знаходяться всередині рукоятки.
- Посуньте акумулятор вперед до упору; коли він стане на місце, Ви повинні почути характерне клацання.

Від'єднання акумулятора від інструменту - (рис. С)

- Натисніть кнопку вивільнення акумулятора (7) та з силою витягніть акумулятор з рукоятки інструменту.
- Вставляйте акумулятор у зарядний пристрій так, як це описано в відповідному розділі даного документу.

**Несправна акумуляторна батарея**

Зарядний пристрій може визначити слабку або пошкоджену акумуляторну батарею. Червоний світлодіодний індикатор блимає у послідовності, вказаній на рисунку. В цьому випадку заряджати батарею заборонено. Відправте її в сервісний центр або до утилізаційного центру для переробки.

**Затримка через перегрів/переохолодження акумуляторної батареї**

Якщо зарядний пристрій визначає, що акумуляторна батарея занадто гаряча або холодна, початок заряджання автоматично відкладається, доки температура акумуляторної батареї не нормалізується. Після цього заряджання починається автоматично. Ця функція продовжує строк служби акумуляторної батареї. У разі затримки заряджання через перегрів/переохолодження акумуляторної батареї червоний світлодіодний індикатор блиматиме у послідовності, вказаній на рисунку.

**Проблема з джерелом живлення**

Якщо зарядний пристрій підключений до портативного джерела енергії, наприклад, генератора або перетворювача постійного/змінного струму, зарядний пристрій може тимчасово призупинити роботу. Світлодіодний індикатор блимає у послідовності, вказаній на рисунку. Це вказує на те, що струм джерела живлення знаходиться поза межами граничних значень.

Залишення акумуляторної батареї у зарядному пристрої.

Зарядний пристрій та акумуляторну батарею можна залишати з'єднаними на необмежений час з активним світлодіодним індикатором. Зарядний пристрій буде підтримувати акумуляторну батарею у повністю зарядженому стані.

Система електронного захисту

Літій-іонні акумулятори містять Систему електронного захисту, яка не допускає їх перевантаження, перегрівання або надто глибокого розрядження. У таких випадках акумулятор буде автоматично відключений цією Системою. Якщо це відбулося, приєднайте літій-іонний акумулятор до пристрою для зарядження і повністю зарядіть його.

Пусковий вимикач та перемикач напрямку обертання – (рис. D)

- Щоб увімкнути або вимкнути дріль, натисніть та відпустіть пусковий вимикач (1), що показаний на рис. D. Швидкість обертання дрілю збільшується з посиленням натискання на вимикач.
- Перемикач напрямку обертання (2) визначає напрямок обертання, а також виконує функцію кнопки розблокування.
- Щоб вибрати прямий напрямок обертання, відпустіть пусковий вимикач і натисніть перемикач напрямку обертання з правого боку дрілю.
- Щоб вибрати зворотний напрямок обертання, натисніть перемикач напрямку обертання з лівого боку дрілю.
- Центральне положення кнопки напрямку обертання блокує інструмент у вимкненому положенні. При зміні положення перемикача напрямку обертання необхідно слідувати за тим, щоб пусковий вимикач був відпущений.

Регулювання сили закручування – (рис. E)

Цей інструмент оснащений кільцем регулювання крутного моменту (3) для вибору режиму роботи та задання крутного моменту для затягування шурупів. Для великих шурупів і деталей з твердих матеріалів необхідні збільшувати крутний момент у порівнянні з невеликими шурупами і деталями з м'яких матеріалів.

- Для виконання свердління дерева, металів і пластмас встановіть кільце в положення свердління.
- Для закручування шурупів встановіть необхідне налаштування кільця. Якщо ви ще не знаєте, яке налаштування вам встановити, виконайте такі дії:
- встановіть кільце в положення мінімального крутного моменту;
- закрутіть перший шуруп;
- якщо почнуться переривчасті рухи патрона до того, як шуруп буде повністю закручений, збільште налаштування крутного моменту і продовжуйте закручувати шуруп;
- повторюйте ці дії доти, доки не буде знайдено необхідне налаштування;
- використовуйте це налаштування для закручування інших шурупів.

Двобічний перемикач швидкостей обертання – (рис. F)

Цей перемикач дозволяє вибирати швидкість обертання для підвищення функціональності.

- Щоб вибрати низьку швидкість із високим крутним моментом, (положення 1), вимкніть інструмент і дочекайтеся його зупинки. Переведіть перемикач (4) в напрямку від патрона
- Щоб вибрати високу швидкість із низьким крутним

моментом, (положення 2), вимкніть інструмент і дочекайтеся його зупинки. Переведіть перемикач напрямку до патрона

ПРИМІТКА: не перемикайте швидкості під час обертання інструменту. У разі виникнення проблем із перемиканням швидкостей переконайтеся, що перемикач встановлений у крайнє переднє або заднє положення.

Безключовий швидкозатискний патрон – (рис. G)

УВАГА! Перед установкою або зняттям аксесуарів зніміть акумуляторну батарею.

Щоб встановити свердло або іншу насадку:

- утримуйте патрон (5) рукою та обертайте його проти годинникової стрілки, якщо дивитися ззаду інструмента;
- вставте свердло або іншу насадку і затягніть патрон за годинниковою стрілкою, якщо дивитися ззаду інструмента, із зусиллям.

УВАГА! Не намагайтеся затягнути або послабити свердло (насадку) шляхом тримання патрона і вмикання інструмента. Це може призвести до пошкодження патрона та травмування.

Закручування гвинтів

- Для закручування гвинтів перемикач напрямків обертання повинен бути натиснутий в ліву сторону.
- Для викручування гвинтів перемикач напрямків обертання повинен бути натиснутий в ліву сторону (зворотне обертання).

ПРИМІТКА: перш ніж задіяти перемикач напрямків обертання, обов'язково відпустіть пусковий вимикач.

Свердління

- Використовуйте лише гострі свердла.
- Забезпечте належну підтримку та фіксацію робочої деталі, як це вказано в Правилах та вказівках з техніки безпеки.
- Використовуйте належне й необхідне захисне обладнання, як це вказано в Правилах та вказівках з техніки безпеки.
- Забезпечте належне обладнання місця виконання робіт, як це вказано в Правилах та вказівках з техніки безпеки.
- Починайте свердління з малих обертів та слабого натискання, доки отвір не буде розсвердлений достатньо, щоб свердло не вислизало з нього.
- Прикладайте зусилля вздовж осі обертання свердла. Застосуйте достатній тиск для свердління, але не настільки, щоб двигун зупинився або свердло змістилося.
- Тримайте дріль міцно двома руками, однією рукою за ручку, а іншою за задню частину навколо батареї або за допоміжну рукоятку (якщо передбачена).

• **НЕ НАМАГАЙТЕСЯ ЗВІЛЬНИТИ ЗАТИСНЕНЕ СВЕРДЛО ШЛЯХОМ ВМИКАННЯ/ВИМИКАННЯ ДРИЛЮ! ЦЕ МОЖЕ ПРИЗВЕСТИ ДО ПОШКОДЖЕННЯ ДРИЛЮ!**

- Щоб запобігти затисненню свердла наприкінці наскрізного свердління, зменшуйте тиск та швидкість перед виходом свердла з протилежної сторони отвору.
- Не зупиняйте свердло при витяганні його з просвердленого отвору. Це дозволить уникнути його затискання.
- Переконайтеся, що вимикач вмикає і вимикає дріль.

Свердління деревини

Отвори в деревині можна робити спіральними свердлами для металу або перовими свердлами. Свердла мають бути гострими. Під час свердління свердло слід часто витягати, щоб видалити стружку.

Свердління металу

Використовуйте змащувально-охолоджувальну рідину при свердлінні металів. Виняток становлять чавун і латунь, які слід сверdlити сухими. Найкраще застосовувати сульфоновані змащувально-охолоджувальні рідини.

Світлодіод робочого освітлення

При натисканні пускового вимикача (1), вбудований світлодіод (8) автоматично вмикається для підсвічування місця виконання робіт.

ПРИМІТКА: світлодіод призначений для освітлення безпосередньо робочої поверхні і не призначений для використання в якості ліхтарика.

Тримач для насадок

В нижній частині інструмента передбачений тримач для насадок (9).

Пошук та усунення несправностей

| Проблема | Можлива причина | Можливі рішення |
|--|---|---|
| Інструмент не вмикається. | Акумуляторна батарея встановлена неправильно. Акумуляторна батарея не заряджена. | Перевірити правильність встановлення акумуляторної батареї Перевірити зарядку акумуляторної батареї |
| Інструмент вмикається відразу після вставляння акумуляторної батареї | Вимикач залишений у положенні «ввімкнено». | Переведіть вимикач у положення «вимкнено», щоб запобігти вмиканню інструменту після встановлення акумуляторної батареї. |
| Акумуляторна батарея не заряджається. | Акумуляторна батарея не вставлена у зарядний пристрій належним чином. Зарядний пристрій не підключений до джерела живлення. Температура навколишнього середовища занадто висока або занадто низька. | Вставте акумуляторну батарею в зарядний пристрій правильно, щоб засвітився світлодіод. Вставте вилку в розетку, що має струм. Перемістіть зарядний пристрій і акумулятор до приміщення з температурою навколишнього повітря вище 4,5 °C або нижче + 40,5 °C |
| Інструмент різко вмикається. | Акумуляторна батарея досягла граничної температури. Акумуляторна батарея розряджена. Щоб максимально продовжити термін служби батареї, вона вмикається автоматично при розряджанні. | Дайте акумуляторній батареї вистигнути. Зарядіть акумуляторну батарею за допомогою зарядного пристрою. |

ТЕХНІЧНЕ ОБСЛУГОВУВАННЯ

Конструкція інструмента STANLEY розрахована на роботу протягом тривалого періоду часу з мінімальним технічним обслуговуванням. Належний догляд і регулярне чищення – запорука тривалої задовільної роботи інструмента.

Крім періодичної очистки, ваш зарядний пристрій не вимагає інших операцій технічного обслуговування.

Увага! Перед виконанням будь-яких дій з технічного обслуговування інструменту, дістаньте з нього акумуляторну батарею. Перед проведенням очищення зарядного пристрою вийміть його штепсельну вилку з розетки.

- Регулярно очищуйте вентиляційні прорізи в інструменті і зарядному пристрої за допомогою м'якої щітки або сухої тканини.
- Регулярно очищуйте корпус двигуна за допомогою вологої тканини. Не використовуйте для очищення абразивні матеріали та засоби очищення на основі розчинників.
- Регулярно розкривайте і вибивайте затиснений патрон для видалення пилу з його внутрішньої частини.

ЗАХИСТ НАВКОЛИШНЬОГО СЕРЕДОВИЩА



Окреме збирання. Цей продукт не можна викидати разом зі звичайним побутовим сміттям.

Якщо якомусь ви вирішите, що ваш виріб фірми STANLEY має бути замінено, або він вам більше не потрібний, не викидайте його на смітник побутового сміття. Зробіть цей виріб доступним для спеціального збирання.



Компанія STANLEY має можливість для збору та переробки продуктів власного виробництва після закінчення їхнього терміну служби. Щоб скористатися цією послугою, поверніть виріб компанії один з офіційних сервісних центрів, що збирають відпрацьовані вироби за нашим дорученням.

Ви можете дізнатись місцезнаходження найближчого до Вас сервісного центру, зв'язавшись з місцевим офісом компанії STANLEY за адресою, вказаною в даному керівництві. Крім того, список офіційних сервісних центрів компанії STANLEY з усіма подробицями нашого післяпродажного обслуговування та контактною інформацією міститься в Інтернеті за адресою: www.2helpU.com

Акумулятори



Акумулятори, вироблені компанією STANLEY є виробами багаторазового використання. Після того, як термін використання акумулятора закінчився, утилізуйте його з урахуванням вимог щодо охорони оточуючого середовища:

- Повністю розрядіть акумулятор та від'єднайте його від інструменту.
- Нікель-кадмієві, нікель-металгідридні та літій-іонні акумулятори можуть направлятися на переробку. Передавайте їх уповноваженим службам з ремонту або на місцеві пункти переробки.

ПРИМІТКА

Одним із принципів політики STANLEY є постійне вдосконалення наших продуктів, тому ми залишаємо за собою право змінювати характеристики наших продуктів без попереднього сповіщення. Перелік стандартного та додаткового обладнання може відрізнятися в залежності від країни. Технічні характеристики продукту в різних країнах можуть відрізнятися. Повна лінійка продуктів може бути в наявності не у всіх країнах. З питання наявності наших продуктів зверніться до дилерів STANLEY

ІНФОРМАЦІЯ СТОСОВНО ОБСЛУГОВУВАННЯ

Компанія STANLEY має мережу власних сервісних центрів та уповноважених органів з обслуговування інструментів. Всі сервісні організації компанії STANLEY укомплектовані кваліфікованим персоналом, який надає покупцям послуги з ефективного та надійного обслуговування електроінструменту. Для того, щоб отримати додаткову

інформацію про наші уповноважені сервісні центри, а також, якщо Вам потрібна порада з технічних питань, ремонт або виготовлені нашою компанією запасні частини, зв'яжіться з найближчим представництвом компанії STANLEY

ТЕХНІЧНІ ДАНІ

| | | SCD20 | SCD201 |
|--------------------------------------|------------|--------------|--------------|
| Напруга | Впост. Ст. | 18В | 18В |
| Швидкість без навантаження Хв-1 | | 0-350/0-1500 | 0-350/0-1500 |
| Макс. крутний момент | Нм | 45 | 45 |
| Найбільший діаметр свердла в патроні | мм | 13 | 13 |
| Найбільший діаметр свердління | | | |
| Дерево | мм | 35 | 35 |
| Сталь | мм | 13 | 13 |
| Вага | кг | 1.6 | 1.6 |

| Зарядний пристрій | | SC201 | SC202 |
|----------------------|------------|---------|---------|
| Вхідна напруга | Взм.ст. | 220-240 | 220-240 |
| Вихідна напруга | Впост. ст. | 18 | 18 |
| Струм | мА | 1000 | 2000 |
| Приблиз. час зарядки | хв. | 80-240 | 40-120 |

| Акумуляторна батарея | | SB20C | SB20S | SB20D | SB20M |
|----------------------|---------|-------------|-------------|-------------|-------------|
| Напруга | Взм.ст. | 18 | 18 | 18 | 18 |
| Ємність | А год | 1,3 | 1,5 | 2,0 | 4,0 |
| Тип | | літій-іонна | літій-іонна | літій-іонна | літій-іонна |

STANLEY

Гарантійні умови

Шановний покупець!

1. Вітаємо Вас з покупкою високоякісного виробу STANLEY і висловлюємо вдячність за Ваш вибір.
2. При покупці виробу вимагайте перевірки його комплектності і справності у Вашій присутності, інструкцію з експлуатації та заповнений гарантійний талон українською мовою

В гарантійному талоні повинні бути внесені: модель, дата продажу, серійний номер, дата виробництва інструменту; назва, печатка і підпис торгової організації. За відсутності у Вас правильно заповненого гарантійного талону, а також при невідповідності зазначених у ньому даних ми будемо змушені відхилити Ваші претензії щодо якості даного виробу.

3. Щоб уникнути непорозумінь, переконалив просимо Вас перед початком роботи з виробом уважно ознайомитися з інструкцією з його експлуатації. Правовою основою справжніх гарантійних умов є чинне Законодавство. Гарантійний термін на даний виріб складає 24 місяці і обчислюється з дня продажу. У разі усунення недоліків виробу, гарантійний строк продовжується на період його перебування в ремонті. Термін служби виробу становить 5 років з дня продажу.
4. У разі виникнення будь-яких проблем у процесі експлуатації виробу рекомендуємо Вам звертатися тільки в уповноважені сервісні центри STANLEY, адреси та телефони яких Ви зможете знайти в гарантійному талоні, на сайті www.2helpU.com або дізнатися в магазині. Наші сервісні станції - це не тільки кваліфікований ремонт, але і широкий асортимент запчастин і аксесуарів.
5. Виробник рекомендує проводити періодичну перевірку і технічне обслуговування виробу в уповноважених сервісних центрах.
6. Наші гарантійні зобов'язання поширюються тільки на несправності, виявлені протягом гарантійного терміну і викликані дефектами виробництва та \ або матеріалів.
7. Гарантійні умови не поширюються на несправності виробу, що виникли в результаті:
 - 7.1 Недотримання користувачем приписів інструкції з експлуатації виробу, застосування виробу не за призначенням, неправильного зберігання, використання приладдя, витратних матеріалів і запчастин, що не передбачені виробником.
 - 7.2 Механічного пошкодження (відколи, тріщини і руйнування) внутрішніх і зовнішніх деталей виробу, основних і допоміжних рукояток, мережевого кабелю, що викликані зовнішнім ударним або будь-яким іншим впливом

- 7.3 Потраплення у вентиляційні отвори та проникнення всередину виробу сторонніх предметів, матеріалів або речовин, що не є відходами, які супроводжують застосування виробу за призначенням, такими як: стружка, тирса, пісок, та ін.
- 7.4 Впливу на виріб несприятливих атмосферних і інших зовнішніх факторів, таких як дощ, сніг, підвищена вологість, нагрівання, агресивні середовища, невідповідність параметрів електромережі, що зазначені на інструменті.
- 7.5 Стихійного лиха. Пошкодження або втрати виробу, що пов'язані з непередбаченими лихами, стихійними явищами, у тому числі внаслідок дії непереборної сили (пожежа, блискавка, потоп і інші природні явища), а також внаслідок перепадів напруги в електромережі та іншими причинами, які знаходяться поза контролем виробника.
8. Гарантійні умови не поширюються:
 - 8.1. На інструменти, що піддавались розкриттю, ремонту або модифікації поза уповноваженим сервісним центром.
 - 8.2. На деталі, вузли та матеріали, що мають сліди природного зносу, такі як: приводні реміні і колеса, вугільні щітки, мастило, підшипники, зубчасті зчеплення редукторів, гумові ущільнювачі, сальники, направляючі роликки, муфти, вимикачі, бойки, штовхачі, стовпи тощо.
 - 8.3. На змінні частини: патрони, цанги, затискові гайки і фланці, фільтри, акумуляторні батареї, ножі, шліфувальні підшви, ланцюги, зірочки, пильні шини, захисні кожухи, пилки, абразиви, пильні і абразивні диски, фрези, свердла, бури тощо
 - 8.4. На несправності, що виникли в результаті перевантаження інструменту (як механічного, так і електричного), що спричинили вихід з ладу одночасно двох і більше деталей і вузлів, таких як: ротора і статора, обох обмоток статора, веденої і ведучої шестерень редуктора або інших вузлів і деталей. До безумовних ознак перевантаження виробу відносяться, крім інших: поява кольорів мінливості, деформація або оплавлення деталей і вузлів виробу, потемніння або обуглювання ізоляції проводів електродвигуна під впливом високої температури.



Виробник:
 "Stanley Black & Decker Deutschland
 GmbH" Black-&-Decker Str.40, D-65510
 Idstein, Німеччина

KULLANIM AMACI

STANLEY SCD20-SCD201 matkap/tornavidanız vida takma/sökme uygulamaları ve ahşap, metal ve plastik delme işlemleri için tasarlanmıştır. Bu alet profesyonel kullanım içindir.

GÜVENLİK TALİMATLARI

Genel elektrikli alet güvenlik uyarıları



UYARI! Bu elektrikli alet ile verilen tüm güvenlik uyarıları, talimatlar, resimli açıklamalar ve teknik özellikleri okuyun. Aşağıda belirtilen tüm talimatların herhangi birisine uyulmaması elektrik çarpması, yangın ve/veya ciddi yaralanma riskine neden olabilir.

Bütün uyarı ve güvenlik talimatlarını ilerde bakmak üzere saklayın. Aşağıda yer alan uyarılarda «elektrikli alet» terimi şebeke elektrikliye (kablolu) veya akü/pille (şarjlı) çalışan elektrikli aletinizi ifade etmektedir.

1. Çalışma alanının güvenliği

- Çalışma alanını temiz ve aydınlık tutun.** Karışık veya karanlık alanlar kazaya davetiye çıkarır.
- Elektrikli aletleri, yanıcı sıvılar, gazlar ve tozların bulunduğu yerler gibi yanıcı ortamlarda çalıştırmayın.** Elektrikli aletler, toz veya dumanları ateşleyebilecek kıvılcımlar çıkarır.
- Bir elektrikli aleti çalıştırırken çocuklardan ve etraftaki kişilerden uzak tutun.** Dikkatinizi dağıtıcı şeyler kontrolü kaybetmenize neden olabilir.

2. Elektrik güvenliği

- Elektrikli aletlerin fişleri prizlere uygun olmalıdır.** Fiş üzerinde kesinlikle hiçbir değişiklik yapmayın. Topraklı elektrikli aletlerde hiçbir adaptör fişi kullanmayın. Değiştirilmemiş fişler ve uygun prizler elektrik çarpması riskini azaltacaktır.
- Borular, radyatörler, ocaklar ve buzdolapları gibi topraklanmamış yüzeylerle vücut temasından kaçının.** Vücutunuzun topraklanması halinde yüksek bir elektrik çarpması riski vardır.
- Elektrikli aletleri yağmura maruz bırakmayın veya ıslatmayın.** Elektrikli alete su girmesi elektrik çarpması riskini arttıracaktır.
- Elektrik kablosunu uygun olmayan amaçlarla kullanmayın.** Elektrikli aleti kesinlikle kablosundan tutarak taşımayın, çekmeyin veya prizden çıkartmayın. Kabloyu sıcaktan, yağdan, keskin kenarlardan veya hareketli parçalardan uzak tutun. Hasarlı veya dolaşmış kablolar elektrik çarpması riskini artırır.
- Elektrikli bir aleti açık havada çalıştırıyorsanız, açık havada kullanıma uygun bir uzatma kablosu kullanın.** Açık havada kullanıma uygun bir kablunun kullanılması elektrik çarpması riskini azaltır.
- Eğer bir elektrikli aletin nemli bir bölgede çalıştırılması zorunluysa, bir artık akım aygıtı (RCD) korumalı bir kaynak kullanın.** Bir RCD kullanılması elektrik şoku riskini azaltır.

3. Kişisel güvenlik

- Elektrikli bir aleti kullanırken her zaman dikkatli olun, yaptığınız işe yoğunlaşın ve sağduyulu davranın.** Elektrikli bir aleti yorgunken veya ilaç ya da alkolün

etkisi altındayken kullanmayın. Elektrikli aletleri kullanırken bir anlık dikkatsizlik ciddi kişisel yaralanmayla sonuçlanabilir.

- Kişisel koruyucu ekipmanları mutlaka kullanın. Daima koruyucu gözlük takın.** Koşullara uygun toz maskesi, kaymayan güvenlik ayakkabıları, baret veya kulaklık gibi koruyucu donanımların kullanılması kişisel yaralanmaları azaltacaktır.
- İstem dışı çalıştırılmasını önleyin. Aleti güç kaynağına ve/veya aküye bağlamadan, yerden kaldırmadan veya taşımadan önce açma/kapama düğmesinin kapalı konumda olduğundan emin olun.** Aleti, parmağınız tetik üzerinde bulunacak şekilde taşımak veya açık konumdaki elektrikli aletleri elektrik şebekesine bağlamak kazaya davetiye çıkarır.
- Elektrikli aleti açmadan önce tüm ayarlama anahtarlarını çıkartın.** Elektrikli aletin hareketli bir parçasına takılı kalmış bir anahtar kişisel yaralanmaya neden olabilir.
- Ulaşmakta zorlandığınız yerlerde kullanmayın. Daima sağlam ve dengeli basın.** Bu, beklenmedik durumlarda elektrikli aletin daha iyi kontrol edilmesine olanak tanır.
- Uygun şekilde giyinin. Bol elbiseler giymeyin ve takı takmayın. Şaçoynuz ve elbiselerinizi hareketli parçalardan uzak tutun.** Bol elbiseler ve takılar veya uzun saç hareketli parçalara takılabilir.
- Eğer kullandığınız üründe toz emme ve toplama özellikleri olan ataşmanlar varsa bunların bağlı olduğundan ve doğru şekilde kullanıldığınızdan emin olun.** Bu toz toplama ataşmanların kullanılması tozla ilgili tehlikeleri azaltabilir.
- Aletlerin sık kullanımından edindiğiniz aşinalığın sizi dikkatsiz kılmasına ve alet güvenlik prensiplerini önemsememeye izin vermeyin.** Dikkatsiz bir eylem, bir saniyeden daha az sürede ciddi yaralanmalara neden olabilir.
- Elektrikli aletlerin kullanımı ve bakımı**
 - Elektrikli aleti zorlamayın. Uygulamanız için doğru elektrikli aleti kullanın.** Doğru elektrikli alet, belirlendiği kapasite ayarında kullanıldığında daha iyi ve güvenli çalışacaktır.
 - Tetik açmıyor ve kapatmıyorsa elektrikli aleti kullanmayın.** Tetikle kontrol edilemeyen tüm elektrikli aletler tehlikelidir ve tamir edilmesi gerekmektedir.
 - Herhangi bir ayarlama, aksesuar değişimi veya elektrikli aletlerin saklanması öncesinde fişi güç kaynağından çekin ve/veya aküyü elektrikli aletten ayırın.** Bu tür önleyici güvenlik tedbirleri aletin istem dışı olarak çalıştırılması riskini azaltacaktır.
 - Elektrikli aleti, çocukların ulaşamayacağı yerlerde saklayın ve elektrikli aleti tanımayan veya bu talimatları bilmeyen kişilerin elektrikli aleti kullanmasına izin vermeyin.** Elektrikli aletler, eğitimsiz kullanıcıların elinde tehlikelidir.
 - Elektrikli aletleri ve aksesuarları iyi durumda muhafaza edin.** Hareketli parçalardaki hizalama hatalarını ve tutuklukları, parçalardaki kırılmaları ve elektrikli aletin çalışmasını etkileyecek tüm diğer koşulları kontrol edin. Hasarlı ise, elektrikli aleti kullanmadan önce tamir ettirin. Kazaların çoğu, elektrikli aletlerin bakımının yeterli şekilde yapılmamasından kaynaklanır.

- f. **Kesim aletlerini keskin ve temiz tutun.** Bakımı uygun şekilde yapılmış keskin kesim uçlu kesim aletlerinin sıkışma ihtimali daha düşüktür ve kontrol edilmesi daha kolaydır.
- g. **Elektrikli aleti, aksesuarlarını ve aletin diğer parçalarını kullanırken bu talimatlarla mutlaka uyun ve çalışma ortamının koşullarını ve yapılacak işin ne olduğunu göz önünde bulundurun.** Elektrikli aletin öngörülen işlemler dışındaki işlemler için kullanılması tehlikeli durumlara neden olabilir.
- h. **Kolları ve kavrama yüzeylerini kuru, yağsız ve gressiz tutun.** Kaygan kollar ve kavrama yüzeyleri, beklenmeyen durumlarda aletin güvenli bir şekilde taşınması ve kontrol edilmesine izin vermez.
5. **Akü/pille çalışan aletin kullanımı ve bakımı**
- a. **Sadece üretici tarafından belirtilen şarj cihazı ile şarj edin.** Bir akü tipine uygun bir şarj cihazı başka tipte bir aküyü şarj etmek için kullanıldığında yangın riski yaratabilir.
- b. **Elektrikli aletleri yalnızca özel olarak tanımlanmış akülerle kullanın.** Başka bir akünün kullanılması yaralanma veya yangın riskine yol açabilir.
- c. **Akü kullanımında değilken, ataç, bozuk para, anahtar, çivi, vida veya terminaller arasında kantağa neden olabilecek diğer küçük metal nesnelere uzak tutulmalıdır.** Akü terminallerinin birbirine kısa devre yapılması yanıklara veya yangına neden olabilir.
- d. **Sıra dışı koşullarda sıvı aküden dışarı akabilir, temastan kaçının.** Yanışıklıkla cilde temas edilirse su ile yıkayın. Gözle temas durumunda ayrıca doktora başvurun. Aküden sıvı akması ciltte tahriş veya yanmaya neden olabilir.

6. Servis

- a. **Elektrikli aletinizi, sadece orijinal yedek parçaların kullanıldığı yetkili servise tamir ettirin.** Bu, elektrikli aletin güvenliğinin muhafaza edilmesini sağlayacaktır.

ELEKTRİKLİ EL ALETLERİ İÇİN EK GÜVENLİK TALİMATLARI



UYARI! Matkaplar/tornavidalar için ek güvenlik talimatları

- **Darbeli matkap ile çalışırken kulaklık takın.** Yüksek sese maruz kalmak işitme kaybına yol açabilir.
- **Aletle birlikte verilmiş olan yardımcı tutma kollarını kullanın.** Kontrol kaybı kişisel yaralanmalara neden olabilir.
- **Kesme aksesuarının gizli kablolarla temas edebileceği yerlerde çalışma yaparken elektrikli aleti yalıtımlı kavrama yüzeylerinden tutun.** Kesme aksesuarının «akım taşıyan» bir kabloya temas etmesi durumunda elektrikli aletin metal kısımları da «akım taşıyıcı» hale gelecek ve kullanıcının elektrik çarpmasına neden olabilir.

- **Bağlantı parçasının gizli kablolarla temas edebileceği yerlerde çalışma yaparken elektrikli aleti yalıtımlı kavrama yüzeylerinden tutun.** Bağlantı parçalarının «akım taşıyan» bir kabloya temas etmesi durumunda elektrikli aletin metal kısımları da «akım taşıyıcı» hale gelecek ve kullanıcının elektrik çarpmasına neden olabilir.
- **Üzerinde çalıştığınız parçayı sabitlemek ve desteklemek için kelepçeler veya başka pratik yöntemler kullanın.** Parçayı elle veya vücudunuza dayamanız dengesiz durmasına neden olacaktır ve aletin kontrolünü kaybetmenize yol açabilir.
- **Duvar, zemin veya tavanda delik açmadan önce kablo ve boruların konumunu kontrol edin.**
- **Delme işleminin hemen ardından matkap ucuna dokunmaktan kaçının; sıcak olabilir.**
- **Kullanım amacı bu kullanım kılavuzunda açıklanmıştır.** Herhangi bir aksesuarın veya bağlantının ya da işlemin, bu kılavuzda tavsiye edilen şekilden başka bir şekilde kullanılması şahısların yaralanmalarına ve/veya mal kaybına yol açabilir.

Diğer kişilerin güvenliği

- Bu alet fiziksel ve zihinsel kapasitesinin yanı sıra algılama gücü azalmış olan veya yeterince deneyim ve bilgisi bulunmayan kişiler (çocuklar dahil) tarafından kullanılmak üzere üretilmemiştir. Bu tür kişiler aleti ancak güvenliklerinden sorumlu bir kişi tarafından cihazın kullanımıyla ilgili talimatların verilmesi veya sürekli kontrol altında tutulması durumunda kullanılabilir.
- Çocuklar, aletle oynamalarını önlemek amacıyla kontrol altında tutulmalıdır.

Diğer tehlikeler

Aletin kullanımıyla ilgili ekte sunulan güvenlik uyarılarına dahil olmayan ilave kalıcı riskler ortaya çıkabilir. Bu riskler, hatalı, uzun süreli kullanım vb. dolayısıyla ortaya çıkabilir.

Emniyet tedbirlerini düzenleyen yönetmeliğin uygulanmasına ve emniyet sağlayıcı aygıtların kullanılmasına rağmen, başka belirli risklerden kaçınılamaz. Bunlar:

- Aletin dönen ve hareket eden parçalarına dokunma sonucu ortaya çıkan yaralanmalar.
- Herhangi bir parçayı, bıçak veya aksesuarı değiştirirken ortaya çıkan yaralanmalar.

ELEKTRİK GÜVENLİĞİ



Şarj cihazınız çift yalıtımlıdır. Bu yüzden hiçbir topraklama kablosuna gerek yoktur. Her zaman şebeke geriliminin aletin üretim etiketinde belirlenmiş değerlere uyup uymadığını kontrol edin. Şarj cihazını kesinlikle normal bir elektrik fişi ile değiştirmeye kalkışmayın.

- Elektrik kablosu hasarlı ise, bir tehlike oluşmasını önlemek için üretici ya da yetkili STANLEY Servis Merkezi tarafından değiştirilmelidir.

AKÜLER VE ŞARJ CİHAZLARI İÇİN EK GÜVENLİK TALİMATLARI

Aküler

- Kesinlikle, hiçbir nedenle açmaya çalışmayın.
- Aküyü suya batırmayın.
- Sıcaklığın 40 °C'yi aşabileceği yerlerde saklamayın.
- Sadece 10 °C ila 40 °C arasındaki ortam sıcaklıklarında şarj edin.
- Sadece aletle birlikte verilen şarj cihazını kullanarak şarj edin.
- Aküleri atarken, «Çevrenin korunması» başlıklı bölümdeki talimatlara uyun.



Hasarlı aküleri şarj etmeyi çalışmayın.

Şarj cihazları

- STANLEY şarj cihazınızı, yalnızca aletle birlikte verilen aküyü şarj etmek için kullanın. Diğer aküler patlayarak yaralanmanıza veya hasar meydana gelmesine yol açabilir.
- Şarj edilme özelliği olmayan aküleri kesinlikle şarj etmeye çalışmayın.
- Hasarlı kabloların hemen değiştirilmesini sağlayın.
- Şarj cihazını suya batırmayın.
- Şarj cihazını açmayın.
- Şarj cihazını delmeyin.



Şarj cihazı, yalnızca kapalı alanda kullanım içindir.



Aletle çalışmaya başlamadan önce bu kılavuzu okuyun.

ALET ÜZERİNDEKİ ETİKETLER

Aletin etiketinde tarih kodu ile birlikte aşağıdaki semboller bulunabilir:



UYARI! Yaralanma riskini en aza indirmek için kullanıcı kullanım talimatlarını mutlaka okumalısınız.



Daima koruyucu gözlük takın



Daima koruyucu kulaklık takın

Tarih kodu konumu

İmalat yılını da içeren Tarih Kodu gövdeye basılıdır.

Örnek:

2017 XX JN

İmalat Yılı

AMBALAJIN İÇERİĞİ

1 Matkap/tornavida

1 Şarj cihazı

2 Akü (C2/S2/D2) veya 1 akü (C1/S1/D1)

1 Kullanım kılavuzu

- Alette, parçalarda veya aksesuarlarda nakliye sırasında meydana gelmiş olabilecek hasarı kontrol edin.
- Aleti çalıştırmadan önce, bu kullanım kılavuzunu baştan sonra okuyup anlamak için gerekli zamanı ayırın.

ÖZELLİKLER (Şekil A)

Bu alet, aşağıdaki özelliklerin bir kısmını veya tümünü içermektedir.

1. Açma/kapama tetiği
2. İleri/geri kontrol düğmesi
3. Tork ayarlama bileziği
4. Vites mandalı
5. Anahtarsız mandren
6. Akü
7. Akü çıkartma düğmesi
8. LED aydınlatma
9. Matkap/tornavida ucu yuvası

KULLANIM

UYARI! Aletin kendi hızında çalışmasına izin verin. Aşırı yüklenmeyin.

AKÜNÜN ŞARJ EDİLMESİ

Akünün, ilk kullanımdan önce ve daha önce kolayca yapılan işler için yeterli güç üretmediği hallerde şarj edilmesi gereklidir. Akü, şarj sırasında ısınabilir; bu normal bir durumdur ve bir sorun olduğuna işaret etmez.

UYARI! Ortam sıcaklığı 10 °C'den düşük veya 40 °C'den yüksekse aküyü şarj etmeyin. Tavsiye edilen şarj sıcaklığı: yaklaşık 24 °C.

NOT: Pil hücre ısısı yaklaşık olarak 10 °C altında veya 40 °C üzerindeyse şarj cihazı aküyü şarj etmeyecektir.

Akü şarj cihazında bırakılmalıdır. Şarj cihazı pil hücresi ısısı yukarı çıktığında veya aşağı indiğinde otomatik olarak şarj işlemine başlayacaktır.

- Aküyü takmadan önce, şarj cihazının fişini uygun prize takın.
- Aküyü şarj cihazına takın.



Akü şarj olurken yeşil LED ışık yanıp sönecektir.



Yeşil LED ışığın sürekli açık kalması, şarjın tamamlandığını gösterir. Akü tamamen şarj olmuştur ve hemen kullanılabilir veya şarj cihazında bırakılabilir.

UYARI! Boşalmış aküleri, kullanımdan sonra mümkün olan en kısa sürede şarj edin aksi taktirde akü ömrü önemli ölçüde azalacaktır.

Şarj cihazı hata tanıma sistemi

Bu şarj cihazı akü veya güç kaynağı ile ortaya çıkabilecek bazı problemleri tespit etmek için tasarlanmıştır. Problemler LED ışığın farklı yanıp sönmeye aralıkları tarafından gösterilir.



Hasarlı akü

Şarj cihazı akünün zayıf veya hasarlı olduğunu tespit edebilir. Kırmızı LED ışığı, etikette gösterilen aralıkla yanıp sönecektir. Hasarlı aküyü tespit eden yanıp sönmeye devam etmeyin. Aküyü geri dönüşüm için servis veya toplama merkezine getirin.



Sıcak/soğuk akü gecikmesi

Şarj cihazı bir akünün aşırı sıcak veya aşırı soğuk olduğunu tespit ederse, otomatik olarak Sıcak/Soğuk Akü Gecikmesini başlatır ve akü uygun sıcaklığa ulaşana kadar şarj işlemini durdurur. Şarj cihazı bundan sonra otomatik olarak şarj moduna geçer. Bu özellik maksimum akü ömrü sağlamaktadır. Sıcak/Soğuk Akü Gecikmesi tespit edilirse kırmızı LED ışığı, etikette gösterilen aralıkla yanıp sönecektir.



Elektrik hattında bir sorun var

Şarj cihazı, jeneratörler veya DC'yi AC'ye dönüştüren kaynaklar gibi bazı taşınabilir güç kaynakları ile kullanıldığında, şarj cihazı işlemi geçici olarak durabilir. LED ışığı, etikette gösterilen aralıkla yanıp sönecektir. Bu, güç kaynağının sınırların

dışında olduğunu gösterir.

Aküü şarj cihazında bırakma

Şarj cihazı ve akü sürekli bağlı olarak, LED ışığı yanarak prizde bırakılabilir. Şarj cihazı aküyü sürekli tam şarjda tutacaktır.

Elektronik koruma sistemli

Li-lon aküler, aküyü aşırı yük, aşırı ısınma veya derin deşarjla karşı koruyan Elektronik Koruma Sistemli olarak tasarlanmıştır. Elektronik Koruma Sisteminin devreye girmesi durumunda alet otomatik olarak kapanır. Bu durumla karşılaşmazsanız Li-lon aküyü şarj cihazına yerleştirin ve tam olarak şarj olmasını bekleyin.

ÖNEMLİ ŞARJ ETME NOTLARI

- En uzun akü ömrü ve en iyi akü performansı, akünün 18° - 24°C sıcaklıkta şarj edilmesiyle sağlanır. Sadece +4,5°C ila +40,5 °C arasındaki ortam sıcaklıklarında şarj edin. Bu önemlidir ve aküye ciddi bir zararın verilmesini önler.
- Şarj sırasında şarj cihazı ve akü hafif bir ses çıkartabilir. Bu normal bir durumdur ve bir sorun olduğuna işaret etmez. Kullandıktan sonra akünün soğumasını mümkün kılmak için şarj cihazı veya aküyü bir metal depo veya yalıtımsız bir römork gibi sıcak bir ortama koymayın.
- Akü düzgün bir şekilde şarj edilmiyorsa:

- Prizle bir lamba veya başka bir cihaz takarak akımı kontrol edin.
- Prizin gücü açıp kapayan bir açma/kapama düğmesine (duy) bağlı olup olmadığını kontrol edin.
- Şarj cihazını ve aküyü 18 °C ila 24 °C arasındaki ortam sıcaklığına getirin. Sorun devam ederse aleti, şarj cihazını ve aküyü yerel STANLEY servis merkezine getirin.
- Akü, daha önce kolayca yapılan işlerde yeterince güç üretemeyecek duruma geldiğinde şarj edilmelidir.
- Bu şartlar altında aküyü kullanmaya DEVAM ETMEYİN. Şarj işlemlerini uygulayın.
- Ayrıca aküye herhangi bir olumsuz etkisi olmadan, kısmen kullanılmış olan aküyü istediğiniz zaman şarj edebilirsiniz.

Aküü alete takma - (Şekil B)

1. Aküyü kolun içindeki raylarla hizalayın.
2. Kilitin yerine oturduğunu duyana kadar yerine doğru sıkıca kaydırın.

Aküü aletten çıkartma - (Şekil C)

1. Serbest bırakma düğmesine (7) basın ve aküyü sıkıca çekerek aletin kolundan çıkarın.
2. Aküyü bu kılavuzun şarj cihazı kısmında açıklandığı gibi şarj cihazına takın.

Açma/kapama tetiği ve ileri/geri kontrol düğmesi - (Şekil D)

- Alet, Şekil D' de gösterildiği gibi açma/kapama tetiğine (1) basarak ve tetiğini bırakarak AÇIK ve KAPALI konuma getirilir.
- Tetiğe daha fazla basıldığında matkap daha hızlı çalışır.
- İleri/geri kontrol düğmesi (2) aletin çalışma yönünü belirler ve ayrıca çalışmayı önleyen bir kilit görevi görür.
- İleri dönmeyi seçmek için tetik düğmesini bırakın ve aletin sağ tarafındaki ileri/geri kontrol düğmesine basın.
- Geri dönmeyi seçmek için aletin sol tarafındaki ileri/geri kontrol düğmesine basın.
- İleri/geri kontrol düğmesi orta konumundayken aleti kapalı konumda kilitler. İleri/geri kontrol düğmesinin yerini değiştirirken tetiğin serbest bırakıldığından emin olun.

Tork kontrolünün ayarlanması - (Şekil E)

Bu alet, çalışma modunun seçilmesi ve vida sıkma torkunun ayarlanması için bir tork ayarlama bileziği (3) ile donatılmıştır. Büyük vidalar ve üzerinde çalışılan sert malzemeler küçük vidalara ve yumuşak malzemelere göre daha yüksek bir tork ayarı gerektirir.

- Ahşap, metal ve plastik delme işlemleri için bileziği delme konumu sembolüne getirin.
- Vida takma ve sökme işlemleri için bileziği istediğiniz konuma getirin. Henüz uygun ayarı bilmiyorsanız, aşağıda belirtildiği şekilde ilerleyin:

- Bileziği en düşük tork ayarına getirin.
- Ardından ilk vidayı sıkın.
- Kavrama istenen sonuç elde edilmeden düşerse, bilezik ayarını yükselin ve vidayı sıkmaya devam edin.
- Doğru ayara ulaşına kadar tekrarlayın.
- Kalan vidalar için de bu ayarı kullanın.

Vites mandalı - (Şekil F)

Aletiniz iki hızlı vites kutusu özelliği ile çok amaçlı kullanım için vitesler arasında geçiş yapmanızı sağlar.

- Düşük vitesi (yüksek tork ayarı, konum 1) seçmek için aleti kapatın ve durmasını bekleyin. Vites mandalını (4) mandrenden uzağa kaydırın.
- Yüksek vitesi (düşük tork ayarı, konum 2) seçmek için aleti kapatın ve durmasını bekleyin. Vites mandalını mandrene doğru kaydırın.

NOT: Alet çalışırken vites değiştirmeyin. Vites değiştirirken sorun yaşıyorsanız vites mandalının tamamen ileri veya tamamen geri itildiğinden emin olun.

Anahtarsız mandren - (Şekil G)

UYARI! Aletin çalışmasını önlemek için aksesuarları takıp çıkarmadan önce, aletin aletten çıkarıldığından emin olun. Matkap ucu veya diğer aksesuarların takılması:

- Mandrenin arka kısmından görüldüğü şekliyle, mandreni (5) tutun ve saatin ters yönünde çevirin.
- Ucu mandrene sonuna kadar sokun ve mandrenin arka kısmından görüldüğü şekliyle, mandreni çevirerek sağlam bir şekilde sıkın.

UYARI! Mandrenin ön kısmını tutarak ve aleti çalıştırarak matkap uçları (veya başka bir aksesuarı) sıkmaya veya gevşetmeye kalkışmayın. Aksesuar değiştirme sırasında mandrenin zarar görmesine ve kişisel yaralanmaya neden olabilir.

Vidalama

- Vidaları sıkamak için ileri/geri kontrol düğmesini sola itin.
- Vidaları sökmek için geri dönmeyi kullanın (düğmeyi sağa iterek).

NOT: Dönme yönü değiştirirken daima ilk önce açma/kapama tetiğini bırakın.

Delme

- Yalnızca keskin matkap uçlarını kullanın.
- Güvenlik talimatlarında belirtildiği gibi çalışılan parçayı düzgün bir şekilde destekleyin.
- Güvenlik talimatlarında belirtildiği gibi uygun ve gerekli koruyucu ekipmanlarınızı kullanın.
- Güvenlik talimatlarında belirtildiği gibi çalışma alanını destekleyin ve bakımlı tutun.
- Delik matkap ucu dışarı kaymayacak kadar yeterli boyutuna ulaşıncaya matkabı, hafif bir baskı uygulayarak çok yavaş çalıştırın.
- Matkap ucuna düz bir çizgide hafif bir baskı uygulayın. Uca yeterli bir baskı uygulayın, ama motor duracak ya da uç sekecek kadar değil.

- Bir el ana kolun, diğer el akü alt kısmını veya eğer varsa yan tutma kolun üzerinde olacak şekilde matkabı iki elinizle sıkıca tutun.
- ANİDEN DURMUŞ VEYA SIKIŞMIŞ MATKABI YENİDEN ÇALIŞTIRMAK İÇİN AÇMA/KAPAMA TETİĞİNE SÜREKLİ BASMAYA KALKIŞMAYIN. BU MATKABA ZARAR VEREBİLİR.
- Çalışma parçasını delip geçme aşamasında sıkışmayı en aza indirmek için baskıyı azaltın ve deliğin son kısmını yavaşça delin.
- Ucu açılmış deliğinden çekerken motor çalışmasını sağlayın. Bu sıkışma azaltmaya yardımcı olacaktır.
- Tetik aleti açtığından ve kapattığından emin olun.

Ahşapta delme

Ahşapta delikler metal için kullanılan aynı matkap uçları veya geniş ağızlı ahşap uçları ile delinebilir.

Bu uçlar çok keskin olmalı ve delme sırasında oluklardan talaşların temizlenmesi için sık sık delikten dışarı çıkartılmalıdır.

Metalde delme

Metalleri delerken bir yağlayıcı kullanın. Döküm demir ve pirinç istisna olarak kuruyken delinmelidir. Kükürtlü kesme yağı en uygun yağdır.

LED aydınlatma

Açma/kapama tetiğine (1) basarak matkabı çalıştırınca entegre LED aydınlatma (8) otomatik olarak çalışma alanını aydınlatır.

NOT: Bu aydınlatma sadece çalışma alanını aydınlatmak için tasarlanmıştır; fener olarak kullanım için değildir.

Uçların saklanması

Alet tabanında entegre uç yuvası (9) bulunmaktadır.

Arıza giderme

| Problem | Olası nedeni | Olası çözüm |
|--|---|---|
| Alet çalışmıyor. | Akü doğru bir şekilde takılmamış. Akü boş. | Akünün doğru takıldığını kontrol edin. Akü şarj gerekliliklerini kontrol edin. |
| Akü takıldıktan hemen sonra alet çalışmaya başlar. | Tetik açık konumda bırakılmış. | Akü takıldıktan hemen sonra aletin çalışmasını engellemek için tetik kapalı konumda olmalıdır. |
| Akü şarj olmuyor. | Akü şarj cihazına takılmamış. Şarj cihazı güç kaynağına takılı değil. Ortam sıcaklığı çok yüksek veya çok düşük. | Aküyü şarj cihazına LED ışıkları yanacak şekilde takın. Şarj cihazının fişini çalışsan bir prize takın. Şarj cihazını ortam sıcaklığı 4,5 °C'den daha yüksek veya 40,5 °C'den daha düşük olduğu yere götürün. |
| Alet aniden duruyor. | Akü maksimum ısı sınırına ulaştı. Akü boş. (Akünün çalışma ömrünü uzatmak amacıyla akü, şarj bittiği zaman otomatik olarak aniden kapanma özelliği ile donatılmıştır). | Aküyü şarj cihazına takın ve şarj edin. |

BAKIM


STANLEY aletinizin minimum bakımla uzun bir süre çalışacak şekilde tasarlanmıştır. Kesintisiz olarak memnuniyet verici bir şekilde çalışması gerekli öznenin gösterilmesine ve düzenli temizliğe bağlıdır.

Şarj cihazınız, düzenli temizlik dışında herhangi bir bakım gerektirmemektedir.


UYARI! Herhangi bir bakım çalışmasına başlamadan önce aküyü aletten çıkartınız. Şarj cihazını temizlemeden önce fişten çekin.

- Aletinizdeki ve şarj cihazındaki havalandırma deliklerini yumuşak bir fırça veya kuru bir bezle düzenli olarak temizleyin.
- Motor muhafazasını düzenli olarak nemli bir bezle silin. Aşındırıcı veya çözücü bazlı temizleyiciler kullanmayın.
- Mandreni düzenli olarak tamamen açın ve içindeki tozu dökmek için hafifçe vurun.

ÇEVRENİN KORUNMASI

 Ayır olarak atın. Bu ürün, normal evsel atıklarla birlikte atılmamalıdır.

STANLEY ürününüzün değiştirilmesi gerektiğini düşünmeniz veya artık kullanılamaz durumda olması halinde onu, evsel atıklarla birlikte atmayın. Bu ürünü, ayrı olarak toplanacak şekilde atın.

 STANLEY, hizmet ömrünün sonuna ulaşan STANLEY ürünlerinin toplanması ve geri dönüşüme sokulması için bir imkân sunmaktadır. Bu hizmetin avantajlarından faydalanmak için, lütfen, ürününüzü bizim adımıza teslim alacak herhangi bir yetkili servise iade edin.

Bu kılavuzda belirtilen listeden size en yakın STANLEY yetkili tamir servisinin yerini öğrenebilirsiniz. Ya da, alternatif olarak internet'ten STANLEY yetkili tamir servislerinin listesini ve satış sonrası hizmetlerimizle ilgili tüm bilgiler ve temas bilgilerine aşağıdaki siteden ulaşabilirsiniz. www.2helpU.com

Aküler



STANLEY aküleri defalarca yeniden şarj edilebilir. Hizmet ömürlerinin sonunda, aküleri çevremize gerekli özeni göstererek atın:

- Aküyü bitene kadar aleti çalıştırın, sonra aletten çıkartın.
- NiCd, NiMH ve Li-Ion aküler geri dönüşümlüdür. Aküleri yetkili servise veya yerel toplama merkezine teslim edin.

NOTLAR

STANLEY olarak, ürünlerimizi sürekli iyileştirme politikası uyguladığımızdan, önceden haber vermeden ürün özelliklerini değiştirme hakkını saklı tutarız. Standart ekipman ve aksesuarlar ülkeye göre değişebilir. Ürün özellikleri ülkelere göre farklı olabilir. Komple ürün çeşidi tüm ülkelerde geçerli olmayabilir. Ürün çeşidi durumu hakkında lütfen en yakın STANLEY yetkili servisiyle temas kurun

SERVİS BİLGİLERİ

STANLEY, kendisine ait ve yetkili servisler ile tam bir servis ağı sunmaktadır. Tüm STANLEY Servis Merkezleri müşterilere etkili ve güvenilir elektrikli el aleti hizmeti sunmak için eğitilmiş personel ile donatılmıştır. Yetkili servis merkezlerimiz hakkında daha fazla bilgi almak istiyorsanız veya teknik danışmanlık, onarım ya da orijinal fabrika yedek parçası ihtiyacınız varsa, size en yakın STANLEY satış noktasına başvurun.

TEKNİK ÖZELLİKLERİ

| | | SCD20 | SCD201 |
|-------------------------------|------------|--------------|--------------|
| Voltaj | V_{DC} | 18V | 18V |
| Yüksüz hızı | min^{-1} | 0-350/0-1500 | 0-350/0-1500 |
| Maks. tork | Nm | 45 | 45 |
| Mandren kapasitesi | mm | 13 | 13 |
| Maks. delme kapasitesi | | | |
| Ahşap | mm | 35 | 35 |
| Çelik | mm | 13 | 13 |
| Ağırlık | kg | 1.6 | 1.6 |

| Şarj Cihazı | | SC201 | SC202 |
|---------------------|----------|----------|----------|
| Giri voltajı | V_{AC} | 220-240 | 220-240 |
| Çıkı voltajı | V_{DC} | 18 | 18 |
| Çıkı akımı | mA | 1000 | 2000 |
| Yaklaşık arj süresi | dak. | 80 – 240 | 40 - 120 |

TÜRKÇE (Çevirisi orijinal talimatlardan yapılmıştır)

| Akü | SB20C | SB20S | SB20D | SB20M |
|----------|--------|--------|--------|--------|
| Voltaj | VAC | 18 | 18 | 18 |
| Kapasite | Ah | 1,0 | 1,5 | 2,0 |
| Tip | Li-Ion | Li-Ion | Li-Ion | Li-Ion |

EN 60745'e göre ses basıncı düzeyi:

| | | |
|--------------------------|-------|----|
| Ses basıncı (L_{pA}) | dB(A) | 72 |
| belirsizlik (K_{pA}) | dB(A) | 3 |
| Akustik güç (L_{WA}) | dB(A) | 83 |
| belirsizlik (K_{WA}) | dB(A) | 3 |

Titreşim emisyon değeri ah:

| | | |
|-----------------------------------|------------------|-----|
| Metalde delme ($a_{h,D}$) = | m/s ² | 1.7 |
| belirsizlik (K) = | m/s ² | 1.5 |
| Darbesiz vidalama ($a_{h,v}$) = | m/s ² | 1.0 |
| belirsizlik (K) = | m/s ² | 1.5 |

TİTREŞİM

Teknik veriler ve uygunluk beyanatı içerisinde belirtilen titreşim emisyon değerleri EN60745 tarafından belirlenen standart bir test yöntemine uygun olarak ölçülmektedir ve diğer bir aletle karşılaştırma yaparken kullanılabilir. Beyan edilen titreşim emisyon değeri aynı zamanda maruz kalmanın önceden değerlendirilmesinde de kullanılabilir.



UYARI! Elektrikli aletin mevcut kullanımını sırasındaki titreşim emisyon değeri, aletin kullanım yöntemine bağlı olarak, beyan edilen değere göre farklılık sergileyebilir. Titreşim düzeyi belirlenen seviyenin üzerinde artış gösterebilir.

İşyerinde düzenli olarak elektrikli alet kullanan çalışanları korumak amacıyla 2002/44/EC tarafından getirilen elektrik güvenliği önlemlerini belirlemek üzere titreşime maruz kalmayı değerlendirirken, çalışma döngüsü içerisinde örneğin aletin kapalı olduğu ve aktif durumda olmasının yanı sıra boşta çalıştığı zamanlar gibi, bütün zaman dilimleri dahil olmak üzere mevcut kullanım durumu ve aletin kullanım şekli göz önünde bulundurularak değerlendirilmelidir.

AT Uygunluk Beyanatı MAKİNE DİREKTİFİ



SCD20-SCD201- Matkap/Tornavidanz

STANLEY, «teknik özellikleri» bölümünde açıklanan bu ürünlerin aşağıda belirtilen yönergelere uygun olduğunu beyan eder: 2006/42/EC, EN 60745-1:2009 + A11:2010, EN 60745-2-1:2010

Bu ürünler ayrıca 2014/30/EU ve 2011/65/EU Direktiflerine de uygundur. Daha fazla bilgi için, lütfen aşağıdaki adresten STANLEY ile irtibata geçin veya kilavuzun arkasına bakın.

Bu belge altında imzası bulunan yetkili, teknik dosyanın derlenmesinden sorumludur ve bu beyanı STANLEY adına vermiştir.

R.Laverick

Mühendislik Bölümü Müdürü
STANLEY, Europe, Egide Walschaertsstraat14-18,
2800 Mechelen, Belçika
03.2017

İKİ YIL GARANTI

Sahip olduğunuz STANLEY ürünü satın alma tarihinden itibaren 24 ay içinde hatalı malzeme veya işçilik nedeniyle bozulursa, STANLEY aşağıdaki şartlara uyulması koşuluyla ücretsiz olarak tüm kusurlu parçaların yenilenmesini veya -kendi inisiyatifine bağlı olarak- satın alınan ürünün değiştirilmesini garanti eder:

- Ürün, hatalı kullanılmamış kullanım kılavuzuna uygun kullanılmıştır;
- Ürün yıpranmamış, hırpalanmamış ve aşınmamıştır;
- Yetkili olmayan kişilerce tamire çalışılmamıştır;
- Satın alma belgesi (fatura) ibraz edilmiştir;
- STANLEY ürünü, tüm orijinal parçaları ile birlikte iade edilmiştir;
- Ürün kiralama amacıyla kullanılmamıştır.

Garanti talebinde bulunmak için, lütfen satıcıyla irtibata geçin veya STANLEY katalogunda belirtilen size en yakın STANLEY yetkili satıcı adresini kontrol edin veya ürünün kılavuzunda belirtilen adresteki yerel STANLEY yetkili tamir servisi ile temas kurun. İnternet'ten STANLEY yetkili tamir servislerinin listesine ve satış sonrası hizmetlerimizle ilgili tüm bilgilerine aşağıdaki siteden ulaşabilirsiniz: www.2helpU.com

Sanayi ve Ticaret Bakanlığı tebligince kullanım ömrü 7 yıldır.

Türkiye Distribütörü

STANLEY BLACK&DECKER TURKEY ALET ÜRETİM SAN. TIC. LTD.STI.

AND Kozyatağı

İçerenköy Mahallesi Umud Sokak

No:10-12 Kat :19 Ataşehir / İstanbul

Tel : (0216) 665 29 00

Faks : (0216) 665 29 01

E-posta: info-tr@sbdinc.com

TÜRKÇE (Çevirisiz orijinal talimatlardan yapılmıştır)

| SB20M | SB20D | SB20S | SB20C | البطارية |
|-----------------|-----------------|-----------------|-----------------|-------------------------------|
| 18 | 18 | 18 | 18 | الجهد الكهربى فولت تيار متردد |
| 4.0 | 2.0 | 1.5 | 1.3 | السعة أمبير ساعة |
| أيونات الليثيوم | أيونات الليثيوم | أيونات الليثيوم | أيونات الليثيوم | النوع |

يمكنك التحقق من موقع أقرب وكيل إصلاح معتمد من خلال الاتصال بـ مكتب ستانلي المحلي على العنوان المشار إليه في الدليل. وبدلاً من ذلك، توجد قائمة بوكلاء الإصلاح المعتمدين من ستانلي وبياناتهم الكاملة لخدمات ما بعد البيع وبيانات اتصالاتهم على موقع الإنترنت: www.2helpU.com

البطاريات

يمكن إعادة شحن بطاريات STANLEY العديد من المرات. ومع انتهاء عمرها الانتاجي. تخلص من البطاريات بما يتوافق مع البيئة:



- أفرغ البطارية تماماً ثم أخرجها من الجهاز.
- يمكن إعادة تدوير بطاريات النيكل والكادميوم ونيكل ميتال هايبريد وليثيوم أيون. خذها إلى أي وكيل خدمة معتمد أو محطة إعادة تدوير محلية.

ملاحظات

تعتمد سياسة شركة STANLEY على التحسين المستمر لمنتجاتنا. ومن ثم فإننا نحفظ بحق إجراء أي تعديلات على خصائص المنتج بدون إشعار مسبق. التجهيزات والملحقات المعيارية يمكن أن تتباين من بلد لآخر. مواصفات المنتج يمكن أن تتباين من بلد لآخر. يمكن ألا يكون مدى النطاق الكامل للمنتج متوفرًا في كل البلدان. اتصل بوكيل STANLEY المحلي لديك للتحقق من نطاق التوفر.

معلومات الخدمة

توفر شركة STANLEY شبكة كاملة من مراكز الخدمة المملوكة من قبل الشركة والمعتمدة. وتعتبر كافة مراكز خدمة STANLEY مجهزة بكوادر مدربة لتزويد العملاء بخدمة فعالة وموثوقة للأجهزة. لمزيد من المعلومات عن مراكز الخدمة المعتمدة لدينا وإذا كنت بحاجة لمشورة فنية أو صيانة أو قطع غيار أصلية من المصنع. اتصل بأقرب موقع STANLEY.

البيانات الفنية

| SCD20 | SCD201 | | |
|------------------|--------------|--------------------|--------------------|
| 18V | 18V | فولت تيار مباشر | الجهد الكهربى |
| 0-350/0-1500 | 0-350/0-1500 | دقيقة ¹ | سرعة بدون خميل |
| 45 | 45 | نيوتن متر | العزم الأقصى |
| 13 | 13 | ملم | سعة قابض اللقم |
| سعة الثقب القصوى | | | |
| 35 | 35 | ملم | خشب |
| 13 | 13 | ملم | صلب |
| 1.6 | 1.6 | كجم | الوزن |
| SC202 | SC201 | | |
| 220-240 | 220-240 | فولت تيار متردد | جهد الدخل |
| 18 | 18 | فولت تيار مباشر | خرج الجهد الكهربى |
| 2000 | 1000 | ملي أمبير | التيار |
| 40-120 | 80-240 | دقائق | زمن الشحن التقريبي |

ضمان سنتين

- إذا وُجد في منتج STANLEY عيب تصنيع أو خامات في غضون 24 شهراً من تاريخ الشراء. تضمن لك STANLEY استبدال جميع الأجزاء المعيبة أو استبدال الوحدة مجاناً وفق تقديرنا المطلق شريطة:
- عدم إساءة استخدام المنتج ووجوب استخدامه وفقاً لدليل التعليمات.
 - عدم تعرض المنتج للبلبي والإهلاك العادي.
 - عدم محاولة إصلاح المنتج عن طريق أشخاص غير معتمدين.
 - تقديم سند إثبات الشراء.
 - إعادة منتج STANLEY كاملاً مع جميع المكونات الأصلية.
 - عدم استخدام المنتج لأغراض التأجير.

إذا كنت ترغب في المطالبة بالضمان. اتصل ببائعك أو خُقق من موقع أقرب وكيل إصلاح معتمد STANLEY أو اتصل على مكتب STANLEY المحلي على العنوان المشار إليه في هذا الدليل. كما يمكن الحصول على قائمة بوكلاء الإصلاح المعتمدين من STANLEY وبياناتهم الكاملة لخدمات ما بعد البيع على موقع الإنترنت: www.2helpU.com

تخزين اللقم

فتحة تخزين اللقم (9) صُنعت في قاعدة الأداة.

استكشاف الأعطال وإصلاحها

| المشكلة | السبب المحتمل | الحل المحتمل |
|---|--|--|
| لا تبعد الأداة في العمل. | علبة البطارية ليست مركبة بشكل سليم، علبة البطارية ليست مشحونة. | افحص تركيب علبة البطارية، افحص متطلبات شحن علبة البطارية |
| نبدأ الوحدة بالعمل فوراً خطئة إدخال البطارية | مفتاح التشغيل متروك على وضع التشغيل "On". | يجب تحريك المفتاح لإيقاف التشغيل "Off" لمنع الأداة من التشغيل الفوري حال إدخال البطارية. |
| لا تلمع علبة البطارية بالشاحن. | علبة البطارية ليست مدرجة في الشاحن، الشاحن غير موصل بالتيار، درجة حرارة الهواء المحيط ساخنة أو باردة للغاية. | ادخل علبة البطارية في الشاحن حتى يضيء مؤشر LED. أوصل الشاحن في مخرج التيار، انقل الشاحن وعلبة البطارية إلى درجة حرارة هواء محيط تتعدى 40 درجة فهرنهايت (4.5 °م) أو أقل من 105 درجة فهرنهايت (40.5 °م). |
| يتوقف تشغيل الأداة فجأة. | وصلت علبة البطارية إلى الحد الأقصى للحرارة، نفاد الشحن، إذابة عمر علبة البطارية لأقصى حد قد تم تصميمها للوقوف فجأة عند نفاد الشحن | اترك البطارية حتى تبرد، ضعها في الشاحن واتركها لتشحن. |

الصيانة

تم تصميم الأداة الكهربائية من STANLEY لكي تعمر لفترة طويلة بأقل قدر من الحاجة للصيانة. ويعتمد استمرار الآلة في أداء عملها على النحو المرضي على العناية المناسبة والتنظيف المنتظم، لا يحتاج شاحنك أية صيانة بعيداً عن التنظيف المنتظم.

تحذير: قبل إجراء أية صيانة على الأداة، أزل البطارية من الأداة، وافصل الشاحن قبل تنظيفها.

استخدم فرشاة ناعمة أو قطعة قماش جافة لتنظيف فتحة تهوية الأداة بانتظام.

نظف مبيت المحرك بانتظام باستخدام قطعة قماش مبللة، لا تستخدم المنظفات الكاشطة أو الذبيبة.

افتح القابض بانتظام وأقرع عليه لإزالة أي غبار من الداخل.

حماية البيئة

فرز النفايات، يجب عدم وضع هذا المنتج مع النفايات المنزلية العادية.



إذا وجدت في يوم ما أنك بحاجة إلى استبدال منتج STANLEY، أو إذا لم تعد بحاجة إلى استخدامه، فلا تتخلص منه مع النفايات المنزلية، وقم بإتاحته للفرز.

توفر STANLEY تسهيلات لجميع وإعادة تدوير منتجات STANLEY بمجرد وصولها إلى نهاية عمرها الافتراضي. وللاستفادة من هذه الخدمة يُرجى إعادة منتجك إلى أي وكيل خدمة معتمد والذي سجمعهما بالنيابة عنك.



- إمسك بقامط اللقم (5) وأدره عكس اتجاه عقارب الساعة، كما يُرى من نهاية قامط اللقم.
- أدخل اللقمة أو الملحق بالكامل في قامط اللقم، وأحكم الربط جيداً عن طريق تدوير قامط اللقم في اتجاه عقارب الساعة كما يُرى من نهاية قامط اللقم.
- تحذيراً! لا تحاول إحكام ربط أو إرخاء لقم المنقب (أو أية ملحقات أخرى) عن طريق الإمساك بمقدمة قامط اللقم وتشغيل الأداة، فيمكن أن تقع أضرار بقامط اللقم وإصابات شخصية عند تغيير الملحقات.

مفك البراغي

- لإدخال المثبتات، يجب دفع زر التوجيه للأمام/الخلف جّاه اليسار.
- استخدم التوجيه للخلف (يدفع الزر جّاه اليسار) لإزالة المثبتات.
- ملاحظة: عند الانتقال من الأمام إلى الخلف، أو العكس، يجب تحرير زناد التشغيل أولاً.

الثقب

- استخدم فقط لقم ثقب حادة.
- ادعم وأمن العمل بصورة صحيحة. كما هو مشار إليه في تعليمات السلامة.
- استخدم أدوات السلامة المناسبة واللازمة. كما هو مشار إليه في تعليمات السلامة.
- أمن وحافظ على منطقة العمل. كما هو مشار إليه في تعليمات السلامة.
- قم بتشغيل المنقب ببطء شديد. مع استخدام ضغط خفيف، حتى تتكون فتحة كافية لحفظ المنقب من الانزلاق بعيداً عنها.
- احرص دائماً على عمل ضغط في خط مستقيم مع لقمة الثقب. استخدم ضغط كافي لاستمرار اللقمة في الثقب ولكن ليس بدرجة كبيرة حتى لا يتوقف المحرك أو تعوج اللقمة.
- امسك المنقب ببنيات بكلتا يديك. يد تمسك بالمقبض، والأخرى بالأسفل حول منطقة البطارية أو بالمقبض المساعد في حال وجوده.
- لا تضغط على زناد مثقاب متعطل وحرره في محاولة لتشغيله، ما قد يسبب تلفاً بالمنقب.
- أوقف عملية الاختراق قليلاً عن طريق تقليل الضغط وقم بالثقب ببطء خلال الجزء الأخير من الفتحة.
- احتفظ بتشغيل المحرك أثناء سحب اللقمة إلى خارج الفتحة المثقوبة. هذا سيساعد من تقيل الانحناس.
- تأكد ان المفتاح يشغل المنقب ويوقف تشغيله.

الثقب في الخشب

يمكن ثقب الخشب باستخدام نفس لقم الثقب الدوارة المستخدمة للمعدن أو باستخدام ريش الثقب.

يجب أن تكون هذه اللقم حادة وينبغي سحبها باستمرار أثناء الثقب لتنظيف الأخابيد من البرادة.

الثقب في المعدن

استخدم مشحوم قطع عند ثقب المعدن. يُستثنى من هذا حديد الزهر والنحاس اللذين يجب أن يُثقب جافين. أفضل مشحومات قطع في العمل هي زيت القطع الكبريتي.

مصباح العمل LED

عندما يعمل المنقب عن طريق الضغط على زناد التشغيل (1)، سوف يضيء مصباح العمل (8) LED منطقة العمل تلقائياً.

ملاحظة: يعمل مصباح العمل لإضاءة سطح العمل الحالي وليس مخصصاً للاستعمال كمصباح يدوي.



مشكلة خط نقل الكهرباء

عند استخدام الشاحن مع بعض مصادر الطاقة المحمولة مثل المولدات الكهربائية أو المصادر التي تحول التيار المباشر إلى تيار متردد. فقد يعلق الشاحن العملية مؤقتًا. سوف يومض مؤشر LED بالنمط المشار إليه في البطاقة. ويشير هذا إلى أن مصدر الطاقة خارج الحدود..

ترك البطارية في الشاحن

يمكن أن يتم ترك الشاحن وعلبة البطارية موصلين بينما يتوهج مؤشر LED. سوف يحتفظ الشاحن بعلبة البطارية متجددة ومشحونة بالكامل.

نظام الحماية الإلكترونية

تم تصميم بطاريات ليثيوم أيون بنظام حماية إلكتروني يعمل على حماية البطارية من فرط الحمل أو فرط التسخين أو التفريغ العميق.

ستنطفئ الأداة تلقائيًا إذا اشتغل نظام الحماية الإلكترونية. إذا حدث ذلك، ضع بطارية ليثيوم أيون على الشاحن حتى يشحن كليًا.

ملاحظات مهمة للشحن

- يمكن الحصول على أطول عمر وأفضل أداء إذا تم شحن علبة البطارية عندما تتراوح درجة حرارة الجو بين (18°-24°م). لا تشحن البطارية في درجة حرارة أقل من (4.5°+م) أو أعلى من (40.5°+م). وهذا أمر مهم، وسوف يمنع إلحاق أضرار جسيمة بعلبة البطارية.
- ربما يصبح الشاحن والبطارية ساخنين عند اللمس أثناء الشحن. وهذه حالة طبيعية، ولا تشير إلى وجود مشكلة. لتسهيل عملية تبريد علبة البطارية بعد الاستخدام، تجنب وضع الشاحن أو علبة البطارية في وسط دافئ مثل سقيفة معدنية، أو عربة مقطورة غير معزولة.
- إذا لم تشحن علبة البطارية بشكل صحيح:
- تحقق من وجود التيار في المقبس عبر توصيل مصباح أو جهاز آخر.
- تحقق لترى إذا كان المقبس متصلًا بمفتاح إضاءة والذي يوقف تشغيل التيار عندما تضيء الأنوار.
- انقل الشاحن وعلبة البطارية لمكان تتراوح فيه درجة حرارة الجو ما بين (18°-24°م) تقريبًا. إذا استمرت مشاكل الشحن، احمل الأداة وعلبة البطارية والشاحن إلى مركز خدمة STANLEY المحلي لديك.
- يجب إعادة شحن البطارية عندما تخفق في إنتاج طاقة كافية في أعمال كانت تقوم بها بسهولة قبل ذلك.
- لا تستمر باستخدامها في تلك الحالات. اتبع إجراءات الشحن.
- ربما تقوم أيضًا بشحن علبة بطارية مستخدمة جزئيًا عندما لا ترغب في أي تأثير سلبي على البطارية.

ملاحظة: تأكد أن البطارية (6) مشحونة بالكامل.

تركيب البطارية في الأداة (الشكل B)

- حاذي البطارية مع المسارات داخل المقبض.
- إزلقها في مكانها برفق حتى تسمع صوت انطباق القفل في

مكانه.

لنزع البطارية من الأداة (الشكل C)

- اضغط على زر تحرير البطارية (7) واسحب علبة البطارية خارج مقبض الأداة.
- ركب علبة البطارية في الشاحن كما هو موضح في قسم الشاحن من هذا الدليل.

زناد التشغيل وزر التوجيه للأمام/الخلف - الشكل D

- يبدأ ويتوقف تشغيل المثقاب بواسطة الضغط والتحرير على زناد التشغيل (1) كما هو موضح في الشكل D. كلما ضُغط على الزناد أكثر، كما زادت سرعة المثقاب.
- يحدد زر التحكم للأمام/الخلف (2) اتجاه دوران الأداة، كما يعمل أيضًا كزر إغلاق.
- لاختيار الدوران الأمامي، حرر زناد التشغيل واضغط على زر التحكم للأمام/الخلف في الجانب الأيمن من الأداة.
- لاختيار الدوران الخلفي، اضغط على زر التحكم للأمام/الخلف في الجانب الأيسر من الأداة.
- وضع المنتصف لزر التحكم يقلق الأداة في وضع الإطفاء. عند تغيير موضع زر التحكم، تأكد من تحرير مفتاح التشغيل.

ضبط التحكم في عزم الدوران - (الشكل E)

- يتم تركيب طوق ضبط عزم الدوران (3) بهذه الأداة لاختيار وضع التشغيل ولغرض ضبط عزم إحكام ربط البراغي. تتطلب البراغي الطويلة وقطع الشغل الصلبة ضبط عزم دوران أعلى من المطلوب للبراغي الصغيرة وقطع الشغل الناعمة.
- للثقب في الخشب والمعادن والبلاستيك، اضبط الحلقة على رمز وضع الثقب.
- لغرض الربط، اضبط الطوق على وضع الضبط المرغوب. إذ لم تكن تعرف بعد وضع الضبط المناسب، فتصرف كالتالي:
- اضبط الحلقة على أدنى عزم ممكن.
- أحكام ربط البراغي أولاً.
- إذا ارتفع القابض قبل تحقيق النتيجة المرغوبة، فقم بزيادة وضع ضبط الطوق واستمر في إحكام ربط البراغي.
- استمر في تكرار هذه الخطوة إلى أن تصل إلى وضع الضبط الصحيح.
- استخدم وضع الضبط هذا مع البراغي المتبقية.

مفتاح النطاق المزدوج - (الشكل E)

تسمح خاصية النطاق المزدوج للمثقاب خاصتك بتبديل التروس لتعدد استعمال أكبر.

- لاختيار السرعة المنخفضة، إعداد عزم الدوران المرتفع (وضع 1).
 - أوقف تشغيل الأداة واتركها تتوقف. ازلق مفتاح ناقل التروس (4) بعيدًا عن قاطم اللقم.
 - لاختيار السرعة المرتفعة، إعداد عزم الدوران المنخفض (وضع 2).
 - أوقف تشغيل الأداة واتركها تتوقف. ازلق مفتاح ناقل التروس للعودة تجاه قاطم اللقم.
- ملاحظة: لا تقم بتغيير التروس أثناء تشغيل الأداة. إذا واجهت مشكلة في تغيير التروس، تأكد أن مفتاح نطاق التروس المزدوج يُدفع بشكل كامل سواء للأمام أو للخلف.

قاطم اللقم بدون مفتاح - (الشكل G)

- خذيرًا تأكد من إزالة علبة البطارية لتجنب تشغيل الأداة قبل تركيب أو إزالة المحركات.
- إدخال لقمة ثقب أو ملحق آخر:

- لا تقم بالشحن إلا باستخدام الشاحن المورد مع الأداة.
- عند التخلص من البطاريات، احرص على اتباع التعليمات الموضحة في جزء "حماية البيئة".



لا تحاول شحن البطاريات التالفة.

الشواحن

- استخدم شاحن STANLEY فقط لشحن البطارية في الأداة المورد معها. البطاريات الأخرى يمكن أن تنفجر مسببة إصابات شخصية وأضرار.
- لا تحاول مطلقاً شحن البطاريات غير القابلة للشحن.
- استبدال الأسلاك التالفة على الفور.
- لا تعرض الشاحن للماء.
- لا تفتح الشاحن.
- لا تفحص الشاحن.



صُمم هذا الشاحن للاستخدام المنزلي فقط.



اقرأ دليل التعليمات قبل الاستخدام..

الملصقات الموجودة على الأداة

الرموز التالية مع كود التاريخ موجودة على الأداة:

تحذيراً من أجل تقليل مخاطر الإصابات، يجب على المستخدم قراءة دليل التعليمات.



ارتد نظارات السلامة دائماً.



ارتد واقيات حماية الأذنين دائماً.

وضع رمز التاريخ

رمز التاريخ الذي يتضمن كذلك سنة الصنع مطبوع على الغلاف، مثال:

XX JN 2017

سنة الصنع

محتويات العبوة

تحتوي العبوة على:

- 1 مثقاب/مفك
- 1 شاحن
- 2 بطارية (C2/S2/D2) أو 1 بطارية (C1/S1/D1)
- 1 دليل تعليمات

• تحقق من وجود أي أضرار في الجهاز أو الملحقات ربما حدث أثناء النقل.

• خصص الوقت الكافي لقراءة وفهم هذا الدليل قبل التشغيل.

الخصائص (الشكل A)

يشتمل هذا الجهاز على بعض أو جميع الأجزاء التالية:

1. زناد التشغيل
2. زر التوجيه للأمام/الخلف
3. طوق ضبط عزم الدوران
4. محدد نطاق التروس المزود
5. قاطم لقم بدون مفتاح
6. البطارية

7. زر تحرير البطارية
8. مصباح العمل LED
9. حامل رأس القممة

الاستخدام

تحذيراً! اترك الأداة تعمل بسرعتها. لا تفرط في التحميل.

شحن البطارية

- تحتاج البطارية للشحن قبل استخدامها لأول مرة وعند فشلها في توفير طاقة كافية في المهام المطلوبة والتي كان يسهل تنفيذها من قبل. يمكن أن تسخن البطارية عند الشحن. هذا أمر عادي ولا يشير إلى وجود مشاكل.
- تحذيراً! لا تشحن البطارية في وسط تقل فيه درجات الحرارة عن 10 °م أو تتعدى 40 °م. درجة حرارة الشحن الموصى بها: 24 °م تقريباً.
- ملاحظة: لن يقوم الشاحن بشحن البطارية إذا كانت درجة حرارة الخلية أقل من 10 °م أو أعلى من 40 °م تقريباً. يجب ترك البطارية في الشاحن وسيبدأ الشاحن بالشحن أوتوماتيكياً عندما تسخن درجة حرارة الخلية أو تبرد.
- أوصل الشاحن بمخرج الكهرباء المناسب قبل إدخال علبة البطارية.
 - أدخل علبة البطارية في الشاحن.

سوف يومض مؤشر LED الأخضر مشيراً إلى أن البطارية قيد الشحن.



عندما يستقر مؤشر LED الأخضر بلا انقطاع فهذا يشير إلى اكتمال الشحن. تم شحن علبة البطارية ويمكن استخدامها في الوقت الراهن أو تركها في الشاحن.



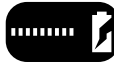
تحذيراً! أعد شحن البطاريات الفارغة في أقرب وقت ممكن بعد الاستخدام وإلا يمكن أن يتضاءل عمر البطارية إلى حد كبير.

تشخيصات الشاحن

صُمم هذا الشاحن ليكشف عن أي مشاكل قد تطرأ للبطارية أو لمصدر الطاقة، ويُشار إلى المشاكل عن طريق وميض مؤشر LED بأحاط مختلفة.

بطارية رديئة

بإمكان الشاحن اكتشاف بطارية ضعيفة أو تالفة. سوف يومض مؤشر LED الأحمر بالنمط المنشار إليه في البطاقة. في حال رؤيتك لنمط وميض البطارية الرديئة هذا، لا تستمر في شحن البطارية. أعددها إلى مركز الصيانة أو موقع جميع لإعادة التدوير.



تأجيل سخونة/برودة علبة البطارية

عند اكتشاف الشاحن أن البطارية ساخنة أو باردة للغاية، يقوم تلقائياً بعمل تأجيل سخونة/برودة لعلبة البطارية، وذلك بتعليق عملية الشحن حتى استعادة البطارية لحالتها الطبيعية. بعد حدوث هذا، يقوم الشاحن تلقائياً بالتبديل إلى وضع شحن علبة البطارية. تضمن هذه الخاصية أقصى عمر للبطارية، يومض مؤشر LED الأحمر بالنمط المنشار إليه في البطاقة عند اكتشاف تأجيل سخونة/برودة لعلبة البطارية.



- جَنب ملامسة طرف لقمّة الثقب بعد الانتهاء من الثقب. فيمكن أن تكون ملتهبًا.
- إن الغرض من الاستخدام مبين في دليل التعليمات هذا. استخدام أميلق أو مرفق غير الموجود مع الجهاز أو استخدام الجهاز في غرض غير المنصوص عليه في هذا الدليل قد يشكل خطراً أو يؤدي إلى حدوث إصابة وأو أية أضرار.

سلامة الآخرين

- هذا الجهاز غير مصمم ليستخدمه الأشخاص ذوو القدرات الجسدية والحسية والعقلية المتدنية أو من نقصهم الخبرة والمعرفة (بما في ذلك الأطفال) إلا في ظل الإشراف عليهم أو إعطائهم التعليمات المتعلقة باستخدام الجهاز من قبل الشخص المسؤول عن سلامتهم.
- يجب الإشراف على الأطفال لضمان عدم عبثهم بالجهاز.

المخاطر المتبقية

- عند استخدام الجهاز يمكن أن تظهر مخاطر متبقية إضافية قد لا تكون مدرجة في خذيرات السلامة المرفقة. هذه المخاطر يمكن أن تنشأ عن الاستخدام السيء أو المطول إلخ.
- لا يمكن تجنب بعض المخاطر المتبقية حتى مع تطبيق تعليمات السلامة المناسبة واستخدام أجهزة الأمان. وتشمل:

- إصابات تنشأ جراء ملامسة أية أجزاء دوارة/ متحركة.
- إصابات تنشأ عند تغيير أية أجزاء أو شفرات أو ملحقات.
- إصابات تنشأ جراء طول فترة استعمال الجهاز. تحقق من توفير فترات راحة منتظمة عند استعمال الجهاز لفترات طويلة.
- تضرر السمع.
- المخاطر الصحية الناتجة عن استنشاق الغبار المتكون عند استخدام جهازك (على سبيل المثال: التعامل مع الأخشاب. ولا سيما البلوط والزان والخشب المضغوط (MDF).

السلامة من مخاطر الكهرباء

- هذا الشاحن معزول معزولاً مزدوجاً؛ وبالتالي لا حاجة إلى وجود سلك أرضي. تحقق دائماً من توافق جهد التيار الرئيسي مع الجهد الموضح على لوحة التقنين. لا تحاول مطلقاً استبدال وحدة الشاحن بقياس عادي.

- في حالة تلف سلك الكهرباء، يجب استبداله من قبل المصنّع أو أي مركز خدمة معتمد من STANLEY لتجنب المخاطر.

تعليمات السلامة الإضافية للبطاريات والشواحن

البطاريات

- لا تحاول مطلقاً الفتح لأي سبب.
- لا تعرض البطارية للشمس.
- لا تخزن في أماكن قد تزيد درجة الحرارة بها عن 40 °م.
- قم بالشحن فقط في درجات حرارة محيطية تتراوح بين 10 °م و 40 °م.

5. استخدام أداة البطارية والعناية بها
- a. أعد الشحن فقط باستخدام الشاحن الموصى به من المصنّع. الشاحن المناسب لنوع واحد من علب البطاريات يمكن أن يتسبب في نشوء خطر الحريق عند الاستخدام مع علب بطارية أخرى.
- b. استخدم الأدوات الكهربائية مع علب البطاريات المخصصة خديداً لها فقط. استخدام أية علب بطاريات أخرى يمكن أن يتسبب في خطر الإصابة أو اشتعال نار.
- c. عند عدم استخدام علب البطارية احتفظ بها بعيداً عن المواد المعدنية الأخرى. مثل مشابك الأوراق والعملات المعدنية والمفاتيح والمسامير أو الأشياء المعدنية الصغيرة الأخرى. التي يمكن أن تنشئ دائرة اتصال كهربائية من طرف لآخر. تقصير دائرة أطراف البطارية معاً يمكن أن يتسبب في حدوث حريق أو اشتعال نار.
- d. في ظل الظروف القاسية فإن السائل يمكن أن يتسرب من البطارية؛ فتجنب ملامسته. إذا ما حدث التلامس بشكل غير مقصود فاشطف مكان التلامس بالماء؛ إذا ما تلامس السائل مع العينين فاطلب علاوة على هذا المساعدة الطبية. يمكن أن يتسبب السائل المتسرب من البطارية في حالات تهيج أو حروق.
6. الخدمة
- a. احرص على أن يقوم فني متخصص بإصلاح الأداة الكهربائية الخاصة بك وباستخدام قطع الغيار المتطابقة فقط. وذلك يضمن سلامة صيانة الأداة الكهربائية.

خذيرات إضافية متعلقة بسلامة الأداة الكهربائية

-  **خديرا!** خذيرات السلامة الإضافية الخاصة بالمناقب/مفكات البراغي.
- ارتد واقي الأذن عند العمل بالمناقب. إن التعرض للضجيج يمكن أن يتسبب في فقدان السمع.
- استخدم المقابض الإضافية المرفقة مع الأداة. فقدان التحكم يمكن أن يتسبب في وقوع إصابات شخصية.
- احرص على حمل الأداة الكهربائية باستخدام أسطح الإمساك المعزول عند القيام بالتشغيل في الأماكن التي يمكن أن ينشأ فيه تلامس بين ملحقات التقطيع وبين الأسلاك الختفية. ربما تتسبب ملحقات القطع عن ملامستها لسلك "حي" في جعل الأجزاء المعدنية من أداة الطاقة "طرف حي" ما قد يصيب المشغل بصدمة كهربائية.
- احرص على حمل الأداة الكهربائية باستخدام أسطح الإمساك المعزول عند القيام بالتشغيل في الأماكن التي يمكن أن ينشأ فيه تلامس بين المئذنتان وبين الأسلاك الختفية. المئذنتان الختفية على سلك "حي" يمكن أن تجعل الأجزاء المعدنية المكشوفة للأداة الكهربائية "طرف حي" ما يمكن أن يعرض المشغل لصدمة كهربائية.
- استخدم المشابك أو أي طرق عملية أخرى لتأمين وتدعيم أداة العمل على منصة ثابتة. القيام بالعمل يدياً أو في مقابل جسمك يجعل أداة العمل غير مستقرة ويمكن أن يؤدي إلى فقدان التحكم.
- قبل الثقب في الجدران أو الأرضيات أو الأسقف تحقق من مكان الأسلاك والمواسير.

الغرض من الاستخدام

صُمم مثقاب/مفك براغي STANLEY SCD20 / SCD201 لتنفيذ تطبيقات الربط والفك وللتنقب في الخشب والمعادن والبلاستيك. هذا الأداة مخصصة للاستخدام المهني.

تعليمات السلامة

تحذيرات عامة متعلقة بسلامة الأداة الكهربائية



تحذيراً! احرص على قراءة كل تحذيرات السلامة والتعليمات والرسوم التوضيحية ذات الصلة والموصفات المرفقة مع الأداة الكهربائية. هذه، قد يؤدي أي إغفال في اتباع التعليمات المبينة بالأسفل في حدوث صدمة كهربائية و/أو حريق و/أو جروح بالغة.

احتفظ بكل التحذيرات والتعليمات كمرجع مستقبلي مصطلح "الأداة الكهربائية" الوارد في كل التحذيرات المدرجة أدناه يشير إلى الأداة الكهربائية المشغلة بواسطة التيار الكهربائي (بكاتيل) أو المشغلة بطارية (بدون كاتيل).

1. سلامة منطقة العمل

- حافظ على منطقة العمل نظيفة ومضاءة جيداً. فالمنطقة غير المرتبة أو المظلمة عرضة لوقوع حوادث.
- لا تشغل الأدوات الكهربائية في أجواء قابلة للانفجار، مثل وجود سوائل أو غازات أو غبار قابلة للاشتعال. تطلق الأدوات الكهربائية شرراً يمكن أن يشعل الغبار أو الأذخنة.
- احرص على إبعاد الأطفال والمتواجدين في منطقة العمل عند تشغيل الأداة الكهربائية. مصادر صرف الانتباه يمكن أن يجعلك تفقد القدرة على التحكم.

2. السلامة من مخاطر الكهرباء

- يلزم توافق قوايس الأداة الكهربائية مع مقيس التيار الكهربائي. يحظر تعديل القابيس بأي طريقة. لا تستخدم قوايس مهايبي مع الأدوات الكهربائية المتصلة بالأرضي (مؤرضة). القوايس غير المعدلة واستخدام مخارج تيار مناسبة بحد من مخاطر الصدمات الكهربائية.
- جنب ملامسة الجسم مع أسطح مؤرضة أو أرضية. مثل المواسير والمدافئ والأفران والمبردات. يزداد خطر التعرض لصدمة كهربائية إذا كان جسمك في وضع تأريض أو أرضي.
- لا تعرض الأدوات الكهربائية للمطر أو ظروف رطبة. سوف يؤدي تسرب الماء إلى داخل الأداة الكهربائية إلى زيادة مخاطر التعرض للصدمة الكهربائية.
- لا تسبب استخدام السلك. لا تستخدم السلك مطلقاً في حمل أو سحب الأداة الكهربائية أو فصلها من المقبس. اتق السلك بعيداً عن الحرارة والزيت والحواف الحادة والأجزاء المتحركة. تزيد الأسلاك النالفة أو المتشابكة من مخاطر التعرض للصدمة الكهربائية.
- عند تشغيل الأداة الكهربائية في الخارج، استخدم سلك إطلالة مناسباً للاستخدام الخارجي. استخدام سلك مناسب لأغراض الاستخدام الخارجي يقلل من مخاطر التعرض للصدمة الكهربائية.
- إذا لم يكن هناك مفر من تشغيل الأداة الكهربائية في منطقة رطبة، فاستخدم شبكة تغذية محمية بقاطع دائرة (RCD). استخدام قاطع الدائرة يقلل من مخاطر التعرض للصدمة الكهربائية.

3. السلامة الشخصية

- كن متيقظاً، وراقب ما تفعل واستخدم حسك العام عند تشغيل الأداة الكهربائية. لا تستخدم الأداة الكهربائية عندما تكون مبهماً أو تحت تأثير المشروبات أو الكحوليات أو الأدوية. في حالة عدم الانتباه عند تشغيل الأداة الكهربائية يمكن أن تسبب في وقوع إصابات شخصية بالغة.

b. استخدم معدات الحماية الشخصية. احرص دائماً على ارتداء واقي العينين. سوف تعمل معدات الحماية. مثل قناع الغبار وأحذية السلامة المقاومة للانزلاق والخوذة الصلبة وواقي الأذن المستخدمة في ظروف مناسبة على تقليل معدل الإصابات الشخصية.

c. تجنب بدء العمل بدون قصد. تحقق من أن المفتاح في وضع الإيقاف قبل التوصيل بمصدر الكهرباء و/أو علبه البطارية أو قبل التفات أو حمل الأداة. إن حمل الأدوات الكهربائية وإصعك على مفتاح التشغيل أو بينما توجد الأدوات في وضع التشغيل من شأنه أن يستدعي وقوع حوادث.

d. تخلف من أية مفاتيح ضبط أو ربط قبل تشغيل الأداة الكهربائية. يمكن أن يتسبب أي مفتاح ربط أو ضبط موصل بالجزء الدوار من الأداة الكهربائية في وقوع إصابات شخصية. تجنب المبالغة. ضع قدميك في وضع مناسب واحتفظ باتزانك في كل الأوقات. حيث يتيح ذلك إمكانية حكم أفضل في الأداة الكهربائية في المواقف غير المتوقعة.

f. ارتد رتاً مناسبة. لا ترتد الملابس الضيقة أو الخلي. احرص على إبعاد شعرك وملابسك عن الأجزاء المتحركة. فقد تعلق الملابس الضيقة أو الخلي أو الشعر الطويل في الأجزاء المتحركة.

g. إذا كانت الأجهزة معدة للتوصيل بوسائل إزالة أو جميع الغبار فتأكد من توصيلها واستخدامها بشكل مناسب. استخدام وسائل جميع الغبار يمكن أن يقلل من المخاطر المتعلقة بالغبار. لا تسمح لأغبيادك على استخدام الأدوات بشكل متكرر أن بيعت داخلك أطمئناً قد يدفعك إلى تجاهل مبادئ سلامة الخاصة بالأداة. فأني تصرف طائش يمكن أن يتسبب في وقوع إصابات خطيرة في لح البصر.

4. استخدام الأداة الكهربائية والعناية بها

a. لا تضغط على الأداة الكهربائية. استخدم الأداة الكهربائية المناسبة لاستعمالك. حيث أن الأداة الكهربائية المناسبة سوف تقوم بأداء العمل بشكل أفضل وأكثر أمناً وفقاً للمعدل التي صممت لأجله.

b. لا تستخدم الأداة الكهربائية إذا لم يقم المفتاح بالتشغيل والإيقاف. أتبه أداة كهربائية لا يمكن التحكم فيها باستخدام المفتاح تصبح خطرة ويجب إصلاحها.

c. افصل القابيس عن مصدر الكهرباء و/أو أخرج علبه البطارية. إن كانت قابلة للإزالة. من الأداة الكهربائية قبل إجراء أي تعديلات أو تغيير أي ملحقات أو تخزين الأدوات الكهربائية. تعمل إجراءات السلامة الوفاة هذه على الحد من خطر بدء تشغيل الأداة الكهربائية بدون قصد.

d. خزن الأدوات الكهربائية غير المستخدمة بعيداً عن متناول الأطفال ولا تسمح للأشخاص الغير معادين على الأداة الكهربائية أو هذه التعليمات بتشغيل الأداة الكهربائية. تمثل الأدوات الكهربائية خطراً في أيدي المستخدمين غير المدربين.

e. صيانة الأدوات الكهربائية والملحقات. تحقق من وجود أي مصادة خاطئة أو عائق أو الأجزاء المتحركة. أو كسر في الأجزاء. وأتبه حالة أخرى يمكن أن تؤثر على تشغيل الأدوات الكهربائية. في حالة تلفها. يتم اصلاح الأداة الكهربائية قبل استخدامها. تقع العديد من الحوادث جراء صيانة الأدوات الكهربائية بشكل سيء.

f. احرص على أن تظل أدوات القطع حادة ونظيفة. تعمل الصيانة المناسبة لأدوات القطع ذات الحواف الحادة على تقليل احتمالية أن تنلهم ويمكن التحكم فيها بشكل أسهل.

g. استخدم الأداة الكهربائية والكماليات ولقم الأداة وما إلى ذلك بما يتوافق مع هذه التعليمات. مع الوضع في الاعتبار ظروف العمل والعمل الذي يتعين القيام به. استخدام الأداة الكهربائية لتنفيذ العمليات في الأغراض غير المخصصة يمكن أن يتسبب في التعرض لواقف خطيرة.

h. حافظ على جفاف القابض والأسطح القابضة ونظافتها وخلوها من الزيت والشحم. فالقابض والأسطح القابضة المنزلقة لا تسمح بالتعامل مع الأداة والتحكم فيها بأمان في المواقف غير المتوقعة.

