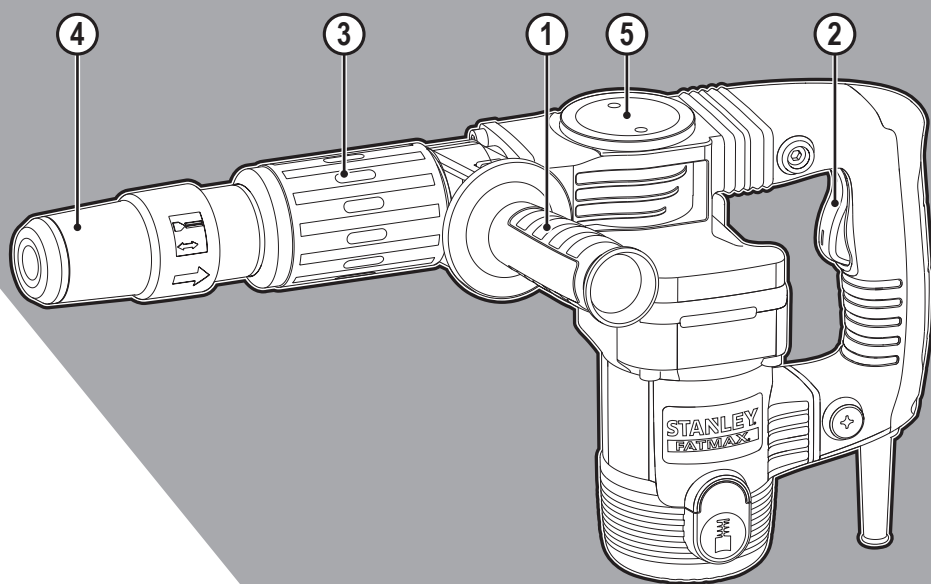


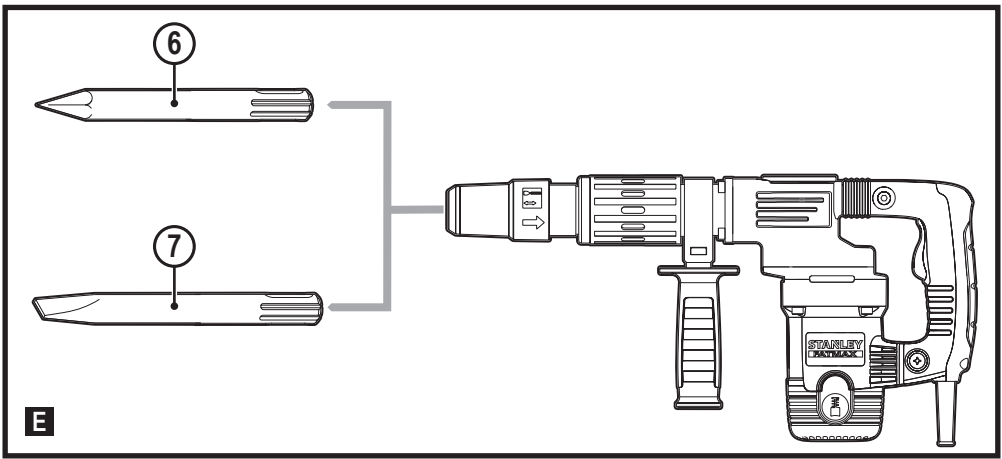
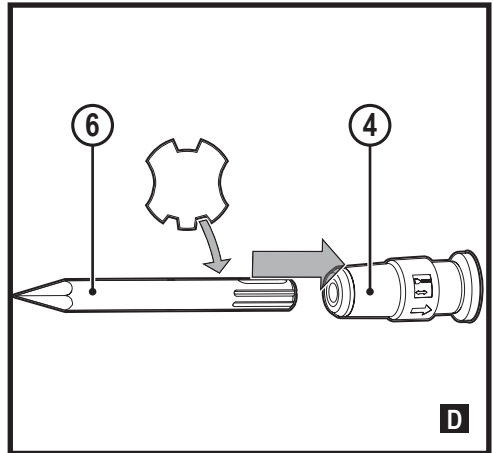
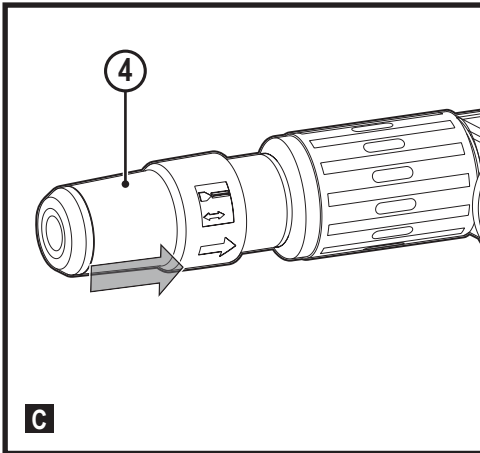
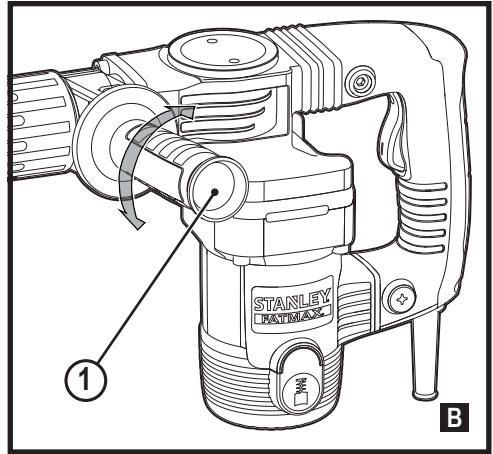
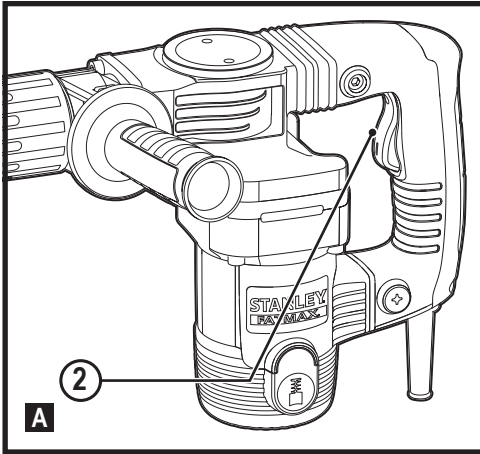
# STANLEY®

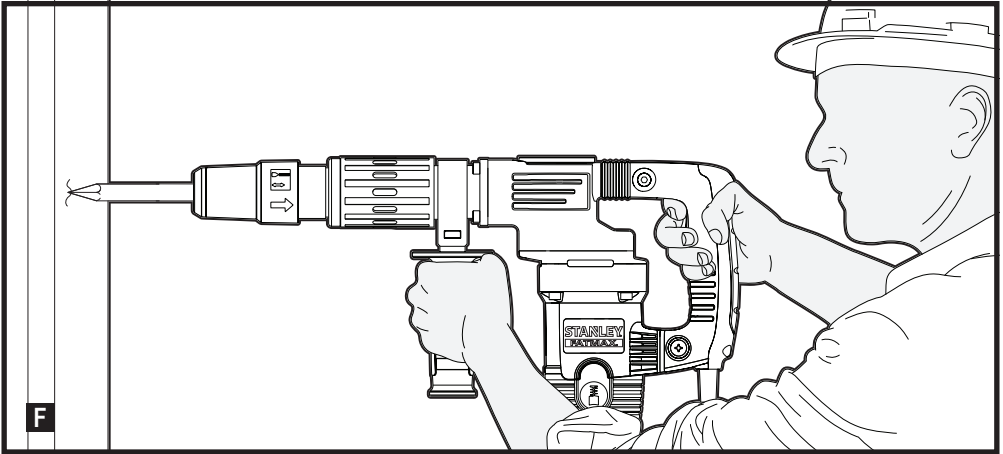
## FATMAX®



[www.stanley.eu](http://www.stanley.eu)

SFMEH220





## Intended use

STANLEY® FATMAX® SFMEH220 Demolition hammer has been designed for light or medium chipping, chiselling and demolition applications in concrete, brick and masonry. This tool is intended for professional and private, non professional use.

## Safety instructions

### General power tool safety warnings



**Warning! Read all safety warnings and all instructions.** Failure to follow the warnings and instructions listed below may result in electric shock, fire and/or serious injury.

### Save all warnings and instructions for future reference.

The term "power tool" in all of the warnings listed below refers to your mains operated (corded) power tool or battery operated (cordless) power tool.

#### 1. Work area safety

- a. **Keep work area clean and well lit.** Cluttered or dark areas invite accidents.
- b. **Do not operate power tools in explosive atmospheres, such as in the presence of flammable liquids, gases or dust.** Power tools create sparks which may ignite the dust or fumes.
- c. **Keep children and bystanders away while operating a power tool.** Distractions can cause you to lose control.

#### 2. Electrical safety

- a. **Power tool plugs must match the outlet. Never modify the plug in any way. Do not use any adapter plugs with earthed (grounded) power tools.**

Unmodified plugs and matching outlets will reduce risk of electric shock.

- b. **Avoid body contact with earthed or grounded surfaces such as pipes, radiators, ranges and refrigerators.** There is an increased risk of electric shock if your body is earthed or grounded.
  - c. **Do not expose power tools to rain or wet conditions.** Water entering a power tool will increase the risk of electric shock.
  - d. **Do not abuse the cord. Never use the cord for carrying, pulling or unplugging the power tool. Keep cord away from heat, oil, sharp edges or moving parts.** Damaged or entangled cords increase the risk of electric shock.
  - e. **When operating a power tool outdoors, use an extension cord suitable for outdoor use.** Use of a cord suitable for outdoor use reduces the risk of electric shock.
  - f. **If operating a power tool in a damp location is unavoidable, use a residual current device (RCD) protected supply.** Use of an RCD reduces the risk of electric shock.
- #### 3. Personal safety
- a. **Stay alert, watch what you are doing and use common sense when operating a power tool. Do not use a power tool while you are tired or under the influence of drugs, alcohol or medication.** A moment of inattention while operating power tools may result in serious personal injury.
  - b. **Use personal protective equipment. Always wear eye protection.** Protective equipment such as dust mask, non-skid safety shoes, hard hat, or hearing protection used for appropriate conditions will reduce personal injuries.

- c. **Prevent unintentional starting.** Ensure the switch is in the off-position before connecting to power source and/or battery pack, picking up or carrying the tool. Carrying power tools with your finger on the switch or energising power tools that have the switch on invites accidents.
  - d. **Remove any adjusting key or wrench before turning the power tool on.** A wrench or a key left attached to a rotating part of the power tool may result in personal injury.
  - e. **Do not overreach. Keep proper footing and balance at all times.** This enables better control of the power tool in unexpected situations.
  - f. **Dress properly. Do not wear loose clothing or jewellery. Keep your hair, clothing and gloves away from moving parts.** Loose clothes, jewellery or long hair can be caught in moving parts.
  - g. **If devices are provided for the connection of dust extraction and collection facilities, ensure these are connected and properly used.** Use of dust collection can reduce dust-related hazards.
4. **Power tool use and care**
    - a. **Do not force the power tool. Use the correct power tool for your application.** The correct power tool will do the job better and safer at the rate for which it was designed.
    - b. **Do not use the power tool if the switch does not turn it on and off.** Any power tool that cannot be controlled with the switch is dangerous and must be repaired.
    - c. **Disconnect the plug from the power source and/or the battery pack from the power tool before making any adjustments, changing accessories, or storing power tools.** Such preventive safety measures reduce the risk of starting the power tool accidentally.
    - d. **Store idle power tools out of the reach of children and do not allow persons unfamiliar with the power tool or these instructions to operate the power tool.** Power tools are dangerous in the hands of untrained users.
    - e. **Maintain power tools. Check for misalignment or binding of moving parts, breakage of parts and any other condition that may affect the power tools operation. If damaged, have the power tool repaired before use.** Many accidents are caused by poorly maintained power tools.
    - f. **Keep cutting tools sharp and clean.** Properly maintained cutting tools with sharp cutting edges are less likely to bind and are easier to control.
    - g. **Use the power tool, accessories and tool bits etc. in accordance with these instructions, taking into account the working conditions and the work to be performed.** Use of the power tool for operations different from those intended could result in a hazardous situation.

5. **Service**
  - a. **Have your power tool serviced by a qualified repair person using only identical replacement parts.** This will ensure that the safety of the power tool is maintained.

### Additional power tool safety warnings



**Warning!** Additional safety warnings for demolition hammers.

- ◆ **Wear ear protectors.** Exposure to noise can cause hearing loss.
- ◆ **Use auxiliary handles supplied with the tool.** Loss of control can cause personal injury.
- ◆ **Hold power tool by insulated gripping surfaces when performing an operation where the cutting accessory may contact hidden wiring or its own cord.** Cutting accessory contacting a "live" wire may make exposed metal parts of the power tool "live" and could give the operator an electric shock
- ◆ **Be certain that the material being drilled does not conceal electric or gas service and that their locations have been verified with the utility companies.**
- ◆ **Keep a firm grip on the tool at all times. Do not attempt to operate this tool without holding it with both hands. Operating this tool with one hand will result in loss of control.** Breaking through or encountering hard materials such as re-bar may be hazardous as well. Tighten the side handle securely before use.
- ◆ **Ensure the chisel is secured in place before operating the tool.**
- ◆ **In cold-weather conditions or when the tool has not been used for a longer period of time, let the tool run with no load for several minutes before use.**
- ◆ **When working above ground level ensure the area below is clear.**
- ◆ **Do not touch the chisel or the parts close to the chisel immediately after operation, as they may be extremely hot and cause burns to the skin.**
- ◆ **Always direct the power cable to the rear, away from the chisel.**
- ◆ **Do not operate this tool for long periods of time. Vibration caused by hammer action may be harmful to your hands and arms.** Use gloves to provide extra cushion and limit exposure by taking frequent rest periods.

### Safety of others

- ◆ This appliance is not intended for use by persons (including children) with reduced physical, sensory or mental capabilities, or lack of experience and knowledge, unless they have been given supervision or instruction concerning use of the appliance by a person responsible for their safety.

- ◆ Children should be supervised to ensure that they do not play with the appliance.

### Residual risks.

Additional residual risks may arise when using the tool which may not be included in the enclosed safety warnings. These risks can arise from misuse, prolonged use etc.

Even with the application of the relevant safety regulations and the implementation of safety devices, certain residual risks can not be avoided. These include:

- ◆ Injuries caused by touching any rotating/moving parts.
- ◆ Injuries caused when changing any parts, blades or accessories.
- ◆ Injuries caused by prolonged use of a tool. When using any tool for prolonged periods ensure you take regular breaks.
- ◆ Impairment of hearing.
- ◆ Health hazards caused by breathing dust developed when using your tool (example:- working with wood, especially oak, beech and MDF.)

### Vibration

The declared vibration emission values stated in the technical data and the declaration of conformity have been measured in accordance with a standard test method provided by EN 60745 and may be used for comparing one tool with another. The declared vibration emission value may also be used in a preliminary assessment of exposure.

**Warning!** The vibration emission value during actual use of the power tool can differ from the declared value depending on the ways in which the tool is used. The vibration level may increase above the level stated.

When assessing vibration exposure to determine safety measures required by 2002/44/EC to protect persons regularly using power tools in employment, an estimation of vibration exposure should consider, the actual conditions of use and the way the tool is used, including taking account of all parts of the operating cycle such as the times when the tool is switched off and when it is running idle in addition to the trigger time.

### Labels on tool

The following pictograms are shown on the tool, along with the date code:



**Warning!** To reduce the risk of injury, the user must read the instruction manual.



Wear safety glasses or goggles.



Wear ear protection.

### Electrical safety



This tool is double insulated; therefore no earth wire is required. Always check that the power supply corresponds to the voltage on the rating plate.

- ◆ If the supply cord is damaged, it must be replaced by the manufacturer or an authorised Stanley Fat Max Service Centre in order to avoid a hazard.

### Using an extension cable

Always use an approved extension cable suitable for the power input of this appliance (see technical data). The extension cable must be suitable for outdoor use and marked accordingly. Up to 30 m of 1.5 mm<sup>2</sup> HO5VV-F extension cable can be used without loss of product performance. Before use, inspect the extension cable for signs of damage, wear and ageing. Replace the extension cable if damaged or defective. When using a cable reel, always unwind the cable completely.

### Features

This tool includes some or all of the following features.

1. Side handle
2. Switch
3. Barrel cover
4. SDS MAX Chuck
5. Lube oil-injection inlet

### Use

**Warning!** Before attempting any of the following operations, make sure that the tool is switched off and unplugged.

### Switching on and off (Fig. A)

- ◆ To run the tool, press the switch (2) and turn it in 'ON' position.
- ◆ To stop the tool, turn it in 'OFF' position and release the switch (2).

### Fitting the side handle (Fig. B)

The side handle (1) can be fitted to suit both RH- and LH-users.

**Warning!** Do not use the tool without the side handle properly assembled.

- ◆ Loosen the side handle.
- ◆ For RH-users: Slide the side handle clamp over the collar behind the tool holder, handle at the left. For LH-users: Slide the side handle clamp over the collar behind the tool holder, handle at the right.
- ◆ Rotate the side handle to the desired position and tighten the handle.

## Inserting and removing SDS Max accessories (fig. C, D)

This tool uses SDS Max accessories (refer to figure D for a cross-section of an SDS Max bit shank). We recommend to use professional accessories only.

- ◆ Clean and grease the bit shank.
- ◆ Insert the bit shank into the bit holder/tool sleeve (4).
- ◆ Push the bit down and turn it slightly until it fits into the slots.
- ◆ Pull on the bit to check if it is properly locked. The hammering function requires the bit to be able to move axially several centimetres when locked in the tool holder.
- ◆ To remove a bit pull back the tool holder/locking sleeve (4), as illustrated in figure C, and pull out the bit.

**Warning!** Always wear gloves when you change accessories. The exposed metal parts on the tool and accessory may become extremely hot during operation.

## Chipping and chiselling (Fig. E)

- ◆ Insert the appropriate chisel (Not supplied) in right position.
- ◆ Adjust the side handle (1) as required.
- ◆ Switch on the tool and start working.
- ◆ Always switch off the tool when work is finished and before unplugging.
- ◆ Always observe the safety instructions and applicable regulations.
- ◆ Be aware of the location of pipework and wiring.
- ◆ Apply only a gentle pressure to the tool (approx. 5 kg). Excessive force does not speed up chiselling but decreases tool performance and may shorten tool life.
- ◆ Always hold the tool firmly with both hands and ensure a secure stance. Always operate the tool with the side handle properly mounted.

## Proper hand position (Fig. F)

**Warning!** To reduce the risk of serious personal injury, ALWAYS use proper hand position as shown.

**Warning!** To reduce the risk of serious personal injury, ALWAYS hold securely in anticipation of a sudden reaction. Proper hand position requires one hand on the side handle (1), with the other hand on the main handle.

**Warning!** Do not use this tool to mix or pump easily combustible or explosive fluids (benzine, alcohol, etc.). Do not mix or stir inflammable liquids labelled accordingly.

## Accessories

The performance of your tool depends on the accessory used. Stanley Fat Max accessories are engineered to high quality standards and designed to enhance the performance of your tool. By using these accessories you will get the very best from your tool.

## Maintenance

Your Stanley Fat Max corded/cordless appliance/tool has been designed to operate over a long period of time with a minimum of maintenance. Continuous satisfactory operation depends upon proper tool care and regular cleaning.

**Warning!** Before performing any maintenance on corded/cordless power tools:

- ◆ Switch off and unplug the appliance/tool.
- ◆ Or switch off and remove the battery from the appliance/tool if the appliance/tool has a separate battery pack.
- ◆ Or run the battery down completely if it is integral and then switch off.
- ◆ Unplug the charger before cleaning it. Your charger does not require any maintenance apart from regular cleaning.
- ◆ Regularly clean the ventilation slots in your appliance/tool/charger using a soft brush or dry cloth.
- ◆ Regularly clean the motor housing using a damp cloth. Do not use any abrasive or solvent-based cleaner.
- ◆ Regularly open the chuck and tap it to remove any dust from the interior (when fitted).

## Mains plug replacement (U.K. & Ireland only)

If a new mains plug needs to be fitted:

- ◆ Safely dispose of the old plug.
- ◆ Connect the brown lead to the live terminal in the new plug.
- ◆ Connect the blue lead to the neutral terminal.

**Warning!** No connection is to be made to the earth terminal. Follow the fitting instructions supplied with good quality plugs. Recommended fuse: 10 A.

## Protecting the environment



Separate collection. Products and batteries marked with this symbol must not be disposed of with normal household waste.

Products and batteries contain materials that can be recovered or recycled reducing the demand for raw materials. Please recycle electrical products and batteries according to local provisions. Further information is available at [www.2helpU.com](http://www.2helpU.com)

## Technical data

		SFMEH220 (Type 1)
Voltage	V	230
Frequency	Hz	50
Power input	W	1010

		SFMEH220 (Type 1)
Impact rate	bpm	2900
Impact energy (EPTA / Max)	J	8.5
Chuck Type		SDS Max
Weight	kg	6.3

SFMEH200 Level of sound pressure according to EN60745:		
Sound pressure ( $L_{PA}$ )	dB(A)	85
Sound pressure uncertainty ( $K_{PA}$ )	dB(A)	3
Sound power ( $L_{WA}$ )	dB(A)	96
Sound power uncertainty ( $K_{WA}$ )	dB(A)	3
Vibration emission value ah (Chiselling):		
( $a_{h,Chisell}$ )	$m/s^2$	11
Uncertainty (K)	$m/s^2$	1.5

## EC declaration of conformity

MACHINERY DIRECTIVE



SMEH220 Demolition Hammer

Stanley Europe declares that these products described under "technical data" are in compliance with:  
2006/42/EC, EN 60745-1, EN 60745-2-6

These products also comply with Directive 2014/30/EU and 2011/65/EU. For more information, please contact Stanley Europe at the following address or refer to the back of the manual.

The undersigned is responsible for compilation of the technical file and makes this declaration on behalf of Stanley Europe.

A.P. Smith  
Technical Director  
Stanley Fat Max Europe, Egide Walschaertsstraat14-18,  
2800 Mechelen, Belgium  
22/07/2019

This guarantee is in addition to and in no way prejudices your statutory rights. The guarantee is valid within the territories of the Member States of the European Union and the European Free Trade Area.

To claim on the guarantee, the claim must be in accordance with Stanley Fat Max Terms and Conditions and you will need to submit proof of purchase to the seller or an authorised repair agent. Terms and conditions of the Stanley Fat Max 1 year guarantee and the location of your nearest authorised repair agent can be obtained on the Internet at [www.2helpU.com](http://www.2helpU.com), or by contacting your local Stanley Fat Max office at the address indicated in this manual.

Please visit our website [www.stanley.eu/3](http://www.stanley.eu/3) to register your new Stanley Fat Max product and receive updates on new products and special offers.

## Guarantee

Stanley Fat Max is confident of the quality of its products and offers consumers a 12 month guarantee from the date of purchase.

**Назначение** Отбойный молоток STANLEY® FATMAX® SFMEH220 предназначен для легких и средних работ по разбиванию, дроблению и сносу бетона, кирпича и каменной кладки. Данный инструмент предназначен для профессионального использования, а также для бытового использования частными пользователями.

## Правила техники безопасности

### Общие правила безопасности при работе с электроинструментом



**Внимание!** Полностью прочтите инструкции по технике безопасности и все руководства по эксплуатации. Несоблюдение представленных ниже предупреждений и инструкций может привести к поражению электрическим током, возгоранию и/или тяжелым травмам.

Сохраните все инструкции для последующего обращения к ним. Термин «электроинструмент» во всех приведенных ниже предупреждениях относится к питаемому от электросети (проводному) или от аккумуляторных батарей (беспроводному) электроинструменту.

#### 1. Безопасность на рабочем месте

- a. Содержите рабочее место в чистоте и обеспечьте его хорошую освещенность. Плохое освещение или беспорядок на рабочем месте может привести к несчастному случаю.
- b. Не используйте электроинструмент во взрывоопасной атмосфере, например, при наличии горючих жидкостей, газов или пыли. Искры, которые появляются при работе электроинструмента, могут привести к воспламенению пыли или паров.
- c. Не разрешайте детям и посторонним лицам находиться рядом с вами при работе с электроинструментом. Отвлекаясь от работы, вы можете потерять контроль над инструментом.

#### 2. Электробезопасность

- a. Сетевые вилки электроинструмента должны соответствовать розеткам. Никогда не меняйте вилку инструмента. Запрещается использовать переходники к вилкам для электроинструментов с заземлением.  
Использование оригинальных штепсельных вилок, соответствующих типу сетевой розетки, снижает риск поражения электрическим током.
- b. Следует избегать контакта с заземленными поверхностями, такими как трубы, радиаторы, батареи и холодильники. Если вы будете заземлены, увеличивается риск поражения электрическим током.

- c. Не допускайте нахождения электроинструментов под дождем или в условиях повышенной влажности. При попадании воды в электроинструмент риск поражения электротоком возрастает.
  - d. Бережно обращайтесь с кабелем питания. Никогда не используйте кабель для переноски электроинструмента, не тяните за него, пытайтесь отключить инструмент от сети. Держите кабель подальше от источников тепла, масла, острых углов или движущихся предметов. Поврежденный или запутанный кабель питания повышает риск поражения электрическим током.
  - e. При работе с электроинструментом вне помещения необходимо пользоваться удлинителем, соответствующим условиям. Использование кабеля питания, предназначенного для использования вне помещения, снижает риск поражения электрическим током.
  - f. При необходимости эксплуатации электроинструмента в местах с повышенной влажностью используйте устройство защитного отключения (УЗО). Использование УЗО сокращает риск поражения электрическим током.
- #### 3. Обеспечение индивидуальной безопасности
- a. При работе с электроинструментом сохраняйте бдительность, следите за своими действиями и пользуйтесь здравым смыслом. Не работайте с электроинструментом, если вы устали, находитесь в состоянии наркотического, алкогольного опьянения или под воздействием лекарственных препаратов. Невнимательность при работе с электроинструментом может привести к серьезным травмам.
  - b. Используйте средства индивидуальной защиты. Всегда используйте защитные очки. Средства защиты, такие как пылезащитная маска, обувь с нескользящей подошвой, каска и защитные наушники, используемые при работе, уменьшают риск получения травм.
  - c. Примите меры для предотвращения случайного включения. Перед тем как подключить электроинструмент к сети и/или аккумуляторной батарее, взять инструмент или перенести его на другое место, убедитесь в том, что выключатель находится в положении «Выкл.». Если при переноске электроинструмента он подключен к сети, и при этом ваш палец находится на выключателе, это может стать причиной несчастных случаев.
  - d. Уберите все регулировочные или гаечные ключи перед включением электроинструмента. Ключ, оставленный на вращающейся части



- электроинструмента, может привести к травме.
- e. **Не пытайтесь дотянуться до слишком удаленных поверхностей. Всегда твердо стойте на ногах, сохраняя равновесие.** Это позволит лучше контролировать электроинструмент в непредвиденных ситуациях.
  - f. **Надевайте подходящую одежду. Избегайте носить свободную одежду и ювелирные украшения.** Следите за тем, чтобы волосы, одежда и перчатки не попадали под движущиеся детали. Возможно наматывание свободной одежды, ювелирных изделий и длинных волос на движущиеся детали.
  - g. **При наличии устройств для подключения оборудования для удаления и сбора пыли необходимо обеспечить правильность их подключения и эксплуатации.** Использование устройства для пылеудаления сокращает риски, связанные с пылью.
4. **Эксплуатация электроинструмента и уход за ним**
    - a. **Избегайте чрезмерной нагрузки электроинструмента. Используйте электроинструмент в соответствии с назначением.** Правильно подобранный электроинструмент выполнит работу более эффективно и безопасно при стандартной нагрузке.
    - b. **Не используйте электроинструмент, если не работает его выключатель.** Любой электроинструмент, управлять выключением и включением которого невозможно, опасен, и его необходимо отремонтировать.
    - c. **Перед выполнением любой регулировки, заменой дополнительных принадлежностей или хранением электроинструмента отключите инструмент от сети или извлеките батарею из инструмента.** Такие превентивные меры безопасности сокращают риск случайного включения электроинструмента.
    - d. **Храните электроинструмент в недоступном для детей месте и не позволяйте работать с инструментом людям, не имеющим соответствующих навыков работы с такого рода инструментами.** Электроинструмент представляет опасность в руках неопытных пользователей.
    - e. **Проводите обслуживание электроинструментов.** Проверьте движущиеся детали на точность совмещения или заклинивание, поломку либо какие-либо другие условия, которые могут повлиять на эксплуатацию электроинструмента. В случае обнаружения повреждений, прежде чем приступить к эксплуатации электроинструмента, его нужно отремонтировать. Большинство несчастных случаев происходит из-за электроинструментов, которые не обслуживаются

должным образом.

- f. **Необходимо содержать режущий инструмент в остро заточенном и чистом состоянии.** Вероятность заклинивания инструмента, за которым следят должным образом и который хорошо заточен, значительно меньше, а работать с ним легче.
  - g. **Используйте данный электроинструмент, а также дополнительные принадлежности и насадки в соответствии с данными инструкциями и с учетом условий и специфики работы.** Использование электроинструмента для выполнения операций, для которых он не предназначен, может привести к созданию опасных ситуаций.
5. **Сервисное обслуживание**
    - a. **Обслуживание электроинструмента должно выполняться только квалифицированным техническим персоналом.** Это позволит обеспечить безопасность обслуживаемого электроинструмента.

### Дополнительные правила техники безопасности при работе с электроинструментом



**Внимание!** Дополнительные правила техники безопасности при работе отбойными молотками.

- ◆ **Используйте защитные наушники.** Шум может стать причиной снижения слуха.
- ◆ **Пользуйтесь дополнительными рукоятками, входящими в комплект поставки инструмента.** Потеря контроля может привести к травме.
- ◆ **При выполнении работ, когда есть вероятность того, что режущий инструмент может коснуться скрытой проводки или собственного сетевого кабеля, держите силовой инструмент за изолированные поверхности.** При удерживании металлических деталей инструмента, в случае перерезания находящегося под напряжением провода, возможно поражение оператора электрическим током
- ◆ **Убедитесь в том, что под поверхностью материала не проходят газовые трубы или электропроводка; уточните их местонахождение в соответствующих службах.**
- ◆ **Крепко держите инструмент во время работы.** Не пытайтесь работать данным инструментом, удерживая его одной рукой. В противном случае, это может привести к потере управления. Просверливание или касание таких твердых материалов, как арматурные стержни, также может представлять опасность. Перед использованием надежно затяните боковую рукоятку.
- ◆ **Перед началом работы убедитесь, что долото или зубило надежно закреплены.**

- ◆ В случае эксплуатации в холодную погоду, а также если инструмент не использовался длительное время, позвольте ему поработать несколько минут без нагрузки.
- ◆ При работе на высоте следите за тем, что под вами не находятся люди и объекты.
- ◆ Во избежание получения ожогов кожи сразу после завершения операции запрещается прикасаться к долоту или к частям, расположенным вблизи долота, поскольку они могут оказаться чрезвычайно горячими.
- ◆ Всегда направляйте кабель питания назад, от долота.
- ◆ Не используйте данный инструмент в течение длительных промежутков времени. Вибрация, вызываемая инструментом, может оказывать вредное воздействие на руки. Используйте перчатки для лучшей антивибрационной защиты, устраивайте частые перерывы в работе и ограничьте время работы инструмента.

### Безопасность окружающих

- ◆ Данный инструмент не предназначен для использования лицами (включая детей) с ограниченными физическими, сенсорными или ментальными возможностями, а также лицами без достаточного опыта и знаний, если только они не делают этого под руководством лица, имеющего соответствующий опыт и отвечающего за их безопасность.
- ◆ Не позволяйте детям играть с данным инструментом.

### Остаточные риски.

При работе с данным инструментом возможно возникновение дополнительных остаточных рисков, которые не вошли в описанные здесь правила техники безопасности. Это может произойти при неправильной эксплуатации или продолжительном использовании изделия и т. п.

Несмотря на соблюдение соответствующих инструкций по технике безопасности и использование предохранительных устройств, некоторые остаточные риски невозможно полностью исключить. К ним относятся:

- ◆ Травмы в результате касания вращающихся/движущихся частей.
- ◆ Травмы, которые могут произойти в результате смены деталей, лезвий или дополнительных принадлежностей.
- ◆ Травмы, связанные с продолжительным использованием инструмента. При использовании любого инструмента в течение продолжительного периода времени не забывайте делать перерывы.
- ◆ Ухудшение слуха.
- ◆ Ущерб здоровью в результате вдыхания пыли в процессе работы с инструментом (например, при

обработке древесины, в особенности, дуба, бука и МДФ.)

### Вибрация

Заявленные значения вибрации указанные в технических спецификациях и заявлении о соответствии были измерены в соответствии с стандартным методом тестирования EN 60745 и могут быть использованы для сравнения инструментов. Заявленное значение эмиссии вибрации также может использоваться при предварительной оценке ее воздействия.

**Внимание!** Значения вибрационного воздействия при работе с электроинструментом зависят от вида работ, выполняемых данным инструментом, и могут отличаться от заявленных значений. Уровень вибрации может быть выше заявленного.

При оценке уровня вибрации для определения меры безопасности, предусмотренного 2002/44/ЕС для защиты людей, регулярно пользующихся электроинструментом при работе, нужно принимать во внимание уровень вибрации, реальные условия использования и способ использования инструмента, а также учитывать все этапы цикла работы – когда инструмент выключается, когда он работает на холостом ходу, а также время переключения с одного режима на другой.

### Условные обозначения на инструменте

Наравне с кодом даты на инструменте имеются следующие знаки:



**Внимание!** Во избежание риска получения травм, прочтите руководство по эксплуатации.



Используйте защитные очки или маску.



Используйте защитные наушники.

### Электробезопасность



Данный инструмент имеет двойную изоляцию, поэтому заземление не требуется. Следите за напряжением электрической сети, оно должно соответствовать величине, обозначенной на информационной табличке устройства.

- ◆ Если поврежден сетевой кабель, его нужно заменить у производителя или в авторизованном сервисном центре Stanley Fat Max, чтобы избежать проблем.

## Использование удлинительного кабеля

Всегда используйте только утвержденные удлинительные кабели, рассчитанные на потребляемую мощность данного изделия (см. технические характеристики).

Удлинительный кабель должен быть пригоден для использования вне помещений и промаркирован соответствующим образом. Без потери производительности изделия можно использовать до 30 м 1,5 мм<sup>2</sup> удлинительного кабеля H05VV-F. Перед использованием проверьте удлинительный кабель на наличие повреждений, износа или старения. Замените удлинительный кабель, если он поврежден или неисправен. При использовании кабельного барабана всегда полностью разматывайте кабель.

## Составные части

Данный инструмент может содержать все или некоторые из перечисленных ниже составных частей.

1. Боковая рукоятка
2. Пусковой выключатель
3. Кожух поршня
4. Держатель насадок SDS MAX
5. Впуск для впрыска смазочного масла

## Использование

**Внимание!** Перед выполнением любой из следующих операций убедитесь, что электроинструмент выключен и отсоединен от электросети.

## Включение и выключение (Рис. А)

- ◆ Чтобы запустить инструмент, нажмите на выключатель (2) и поверните его в положение включения.
- ◆ Чтобы остановить инструмент, поверните его в положение выключения и отпустите выключатель (2).

## Установка боковой рукоятки (Рис. В)

Боковая рукоятка (1) может быть установлена так, чтобы создать удобство для пользователей как с правой, так и с левой рабочей рукой.

**Внимание!** Никогда не используйте инструмент без правильно установленной боковой рукоятки.

- ◆ Ослабьте боковую рукоятку.
- ◆ Для пользователей-правшей: Установите зажим боковой рукоятки на муфте позади держателя насадок, располагая боковую рукоятку слева. Для пользователей-левшей: Установите зажим боковой рукоятки на муфте позади держателя насадок, располагая боковую рукоятку справа.

- ◆ Поверните боковую рукоятку в нужное положение и затяните рукоятку.

## Установка и извлечение насадок SDS Max (Рис. С, D)

С данным инструментом используются насадки SDS Max (См. вставку на рисунке D: поперечное сечение хвостовика насадки SDS Max). Рекомендуется использовать только профессиональные принадлежности.

- ◆ Очистите и смажьте хвостовик насадки.
- ◆ Вставьте хвостовик насадки в держатель насадок/зажимное кольцо (4).
- ◆ Протолкните насадку вниз и поворачивайте ее, пока она не встанет в пазы.
- ◆ Попытайтесь вытянуть насадку, чтобы убедиться, что она надежно закреплена. Ударная функция требует свободного перемещения насадки на несколько сантиметров в осевом направлении в закрепленном в держателе насадок состоянии.
- ◆ Чтобы извлечь насадку, оттяните назад держатель насадок/зажимное кольцо (4), как показано на рис. С, и извлеките насадку.

**Внимание!** При замене насадок всегда надевайте перчатки. Рабочие металлические части инструмента и насадки могут очень сильно нагреваться во время работы.

## Долбление и разбивание (Рис. Е)

- ◆ Вставьте соответствующее долото (не входит в комплект поставки) в правильное положение.
- ◆ Отрегулируйте боковую рукоятку (1) в соответствии с необходимостью.
- ◆ Включите инструмент и приступайте к работе.
- ◆ Всегда выключайте электроинструмент после окончания работы и перед отключением от электросети.
- ◆ Всегда соблюдайте правила техники безопасности и применимые законы.
- ◆ При сверлении стен, определите местоположение отопительных труб и электропроводки.
- ◆ Не применяйте чрезмерное давление к инструменту (допускается приблизительно 5 кг). Чрезмерное усилие не повысит скорость работы, а только снизит производительность инструмента и может сократить срок его службы.
- ◆ Всегда крепко удерживайте инструмент обеими руками и сохраняйте устойчивое положение. Всегда используйте инструмент только с правильно установленной боковой рукояткой.

## Правильное положение рук (Рис. F)

**Внимание!** Во избежание риска получения серьезных травм ВСЕГДА используйте правильное положение рук, как показано на рисунке.

**Внимание!** Во избежание риска получения серьезных травм, ВСЕГДА крепко удерживайте инструмент, предупреждая внезапную резкую отдачу. При правильном расположении рук одна рука находится на боковой рукоятке (1), а другая на основной рукоятке.

**Внимание!** Не используйте инструмент для смешивания или нагнетания легко воспламеняемых или взрывчатых жидкостей (бензин, спирт и т. д.). Не смешивайте и не перемешивайте воспламеняющиеся жидкости, отмеченные соответствующим предупреждающим знаком.

### Дополнительные принадлежности

Производительность вашего инструмента напрямую зависит от используемых принадлежностей. Принадлежности Stanley Fat Max изготовлены в соответствии с самыми высокими стандартами качества и способны увеличить производительность вашего инструмента. Используя эти принадлежности, вы достигнете наилучших результатов в работе.

### Техническое обслуживание

Проводной/беспроводной инструмент/устройство Stanley Fat Max имеет длительный срок эксплуатации и требует минимальных затрат на техобслуживание. Срок службы и надежность инструмента увеличивается при правильном уходе и регулярной чистке.

**Внимание!** Перед выполнением любых работ по обслуживанию проводных/беспроводных инструментов:

- ◆ Выключите и отключите от питания устройство/инструмент.
- ◆ Или выключите устройство/инструмент и извлеките батарею, если инструмент оснащен отдельной аккумуляторной батареей.
- ◆ Или полностью выработайте заряд аккумуляторной батареи, если она встроенная, и затем выключите инструмент.
- ◆ Перед чисткой зарядного устройства отключите его от источника питания. Зарядное устройство не требует никакого технического обслуживания кроме регулярной чистки.
- ◆ Регулярно очищайте вентиляционные отверстия устройства/инструмента/зарядного устройства с помощью мягкой щетки или сухой тканевой салфетки.
- ◆ Регулярно очищайте корпус двигателя с помощью влажной салфетки. Не используйте никакие абразивные чистящие средства или средства на основе растворителей.
- ◆ Регулярно открывайте патрон и очищайте его от грязи внутри постукиванием (после установки).

### Замена штепсельной вилки (только для Великобритании и Ирландии)

В случае необходимости установки новой штепсельной вилки:

- ◆ Осторожно снимите старую вилку.
- ◆ Подсоедините коричневый провод к терминалу фазы в новой вилке.
- ◆ Подсоедините синий провод к нулевому терминалу.

**Внимание!** Заземления не требуется. Соблюдайте инструкции по установке вилок высокого качества. Рекомендованный предохранитель: 10 А.

### Защита окружающей среды



Отдельная утилизация. Изделия и аккумуляторные батареи с данным символом на маркировке запрещается утилизировать с обычными бытовыми отходами.

Изделия и аккумуляторные батареи содержат материалы, которые могут быть извлечены или переработаны, снижая потребность в исходном сырье. Пожалуйста, утилизируйте электрические изделия и аккумуляторные батареи в соответствии с местными нормами. Дополнительная информация доступна по адресу [www.2helpU.com](http://www.2helpU.com)

### Технические характеристики

		SFMEH220 (Тип 1)
Напряжение	В	230
Частота	Гц	50
Потребляемая мощность	Вт	1010
Скорость удара	уд/ мин.	2900
Энергия удара (ЕРТА/Мах)	Дж	8,5
Тип патрона		SDS Max
Вес	кг	6,3

SFMEH200 Уровень звукового давления согласно EN60745:		
Звуковое давление (L <sub>рв</sub> )	дБ(А)	85
Погрешность звукового давления (K <sub>рв</sub> )	дБ(А)	3
Акустическая мощность (L <sub>вм</sub> )	дБ(А)	96
Погрешность акустической мощности (K <sub>вм</sub> )	дБ(А)	3
Значение вибрационного воздействия ah (дробление):		
(a <sub>h, Чред</sub> )	м/с <sup>2</sup>	11
Погрешность (K)	м/с <sup>2</sup>	1,5

**Заявление о соответствии нормам ЕС**  
ДИРЕКТИВА ПО МЕХАНИЧЕСКОМУ ОБОРУДОВАНИЮ



SMEH220 Отбойный молоток

Stanley Europe заявляет, что продукция, описанная в разделе «Технические характеристики» соответствует: 2006/42/ЕС, EN 60745-1, EN 60745-2-6

Эти продукты также соответствуют Директивам 2014/30/EU и 2011/65/EU. За дополнительной информацией обращайтесь в компанию Stanley Europe по адресу, указанному ниже или приведенному на

задней стороне обложки руководства.

Нижеподписавшийся несет ответственность за составление технической документации и составил данную декларацию по поручению компании Stanley Europe.

А. П. Смит (A. P. Smith)

Технический директор

Stanley Fat Max Europe, Egide Walschaertsstraat 14-18,  
2800 Mechelen, Бельгия

22.07.2019

**Гарантия**

Компания Stanley Fat Max уверена в качестве своей продукции и предлагает клиентам гарантию на 12 месяцев с момента покупки.

Данная гарантия является дополнительной и ни в коей мере не направлена на ущемление Ваших юридических прав. Гарантия действует на территории стран-участниц Европейского союза и в Европейской зоне свободной торговли.

Чтобы подать заявку по гарантии, заявка должна соответствовать положениям и условиям Stanley Fat Max; кроме того, Вам потребуется предъявить продавцу или авторизованному специалисту по ремонту подтверждение покупки. Положения и условия 1-летней гарантии Stanley Fat Max и местонахождение ближайшего авторизованного специалиста по ремонту можно узнать через Интернет по адресу [www.2helpU.com](http://www.2helpU.com), или связавшись с местным представительством Stanley Fat Max по адресу, указанному в данном руководстве.



**Приложение к руководству по эксплуатации электрооборудования для определения месяца производства по номеру текущей календарной недели года**

Электрооборудование торговых марок "Dewalt", "Stanley", "Stanley FatMAX", "BLACK+DECKER".

Директивы 2014/30/EU ЕВРОПЕЙСКОГО ПАРЛАМЕНТА И СОВЕТА от 26 февраля 2014 г. "О гармонизации законодательств Государств-членов ЕС в области электромагнитной совместимости", 2006/42/ЕС ЕВРОПЕЙСКОГО ПАРЛАМЕНТА И СОВЕТА от 17 мая 2006 г. "О машинах и оборудовании"; 2014/35/EU ЕВРОПЕЙСКОГО ПАРЛАМЕНТА И СОВЕТА от 26 февраля 2014 г. "О гармонизации законодательств государств-членов в области размещения на рынке электрооборудования, предназначенного для использования в определенных пределах напряжения". Серийный выпуск.

**ТОВАР СЕРТИФИЦИРОВАН**

Орган по сертификации "РОСТЕСТ- Москва", Адрес: 119049, г. Москва, улица Житная, д. 14, стр. 1; 117418, Москва, Нахимовский просп., 31 (фактический), Телефон: (499) 1292311, (495) 6682893, Факс: (495) 6682893, E-mail: office@rostest.ru

Изготовитель: Изготовитель: Блэк энд Деккер Холдингс ГмбХ, Германия, 65510, Идштайн, ул. Блэк энд Деккер, 40, тел. +496126212790.

**Уполномоченное изготовителем юр.лицо:**

ООО "Стэнли Блэк энд Деккер", 117485, город Москва, улица Обручева, дом 30/1, строение 2  
Телефон: + 7 (495) 258-3981, факс: + 7 (495) 258-3984, E-mail: inbosh@dewalt.com

Сведения о импортере указаны в сопроводительной документации и/или на упаковке

**Хранение.**

Необходимо хранить в сухом месте, вдали от источников повышенных температур и воздействия солнечных лучей. При хранении необходимо избегать резкого перепада температур. Хранение без упаковки не допускается

**Срок службы.**

Срок службы изделия составляет 5 лет. Не рекомендуется к эксплуатации по истечении 5 лет хранения с даты изготовления без предварительной проверки.

Дата изготовления (код даты) указана на корпусе инструмента.

Код даты, который также включает год изготовления, оштампован на поверхности корпуса изделия.

Пример:

2014 46 XX, где 2014 –год изготовления, 46-неделя изготовления.

Определить месяц изготовления по указанной неделе изготовления можно согласно приведенной ниже таблице.

**Транспортировка.**

Категорически не допускается падение и любые механические воздействия на упаковку при транспортировке. При разгрузке/погрузке не допускается использование любого вида техники, работающей по принципу зажима упаковки.

**Перечень критических отказов, возможные ошибочные действия персонала.**

Не допускается эксплуатация изделия:

- При появлении дыма из корпуса изделия
- При повреждении и/или оголенном сетевом кабеле
- при повреждении корпуса изделия, защитного кожуха, рукоятки
- при попадании жидкости в корпус
- при возникновении сильной вибрации
- при возникновении сильного искрения внутри корпуса

**Критерии предельных состояний.**

- При поврежденном и/или оголенном сетевом кабеле
- при повреждении корпуса изделия

Месяц	Январь	Февраль	Март	Апрель	Май	Июнь	Июль	Август	Сентябрь	Октябрь	Ноябрь	Декабрь	Год производства
Неделя	1	5	9	14	18	23	27	31	36	40	44	49	2018
	2	6	10	15	19	24	28	32	37	41	45	50	
	3	7	11	16	20	25	29	33	38	42	46	51	
	4	8	12	17	21	26	30	34	39	43	47	52	
Неделя			13		22			35				48	2019
	1	6	10	14	18	23	27	31	36	40	45	49	
	2	7	11	15	19	24	28	32	37	41	46	50	
	3	8	12	16	20	25	29	33	38	42	47	51	
	4	9	13	17	21	26	30	34	39	43	48	52	
Неделя					22			35		44			2020
	1	6	10	14	19	23	27	32	36	40	45	49	
	2	7	11	15	20	24	28	33	37	41	46	50	
	3	8	12	16	21	25	29	34	38	42	47	51	
	4	9	13	17	22	26	30	35	39	43	48	52	
Неделя				18			31		44				2021
	2	6	10	14	19	23	27	32	36	41	45	49	
	3	7	11	15	20	24	28	33	37	42	46	50	
	4	8	12	16	21	25	29	34	38	43	47	51	
	5	9	13	17	22	26	30	35	39	44	48	52	
Неделя					18				40			1	2022
	2	6	10	15	19	23	28	32	36	41	45	49	
	3	7	11	16	20	24	29	33	37	42	46	50	
	4	8	12	17	21	25	30	34	38	43	47	51	
	5	9	13	18	22	26	31	35	39	44	48	52	
			14			27			40			1	



**STANLEY**  
**FATMAX**

## ГАРАНТИЙНЫЙ ТАЛОН

**3 ГОДА**  
**ГАРАНТИИ**

1. Поздравляем Вас с покупкой высококачественного изделия STANLEY FATMAX и выражаем признательность за Ваш выбор.
2. При покупке изделия требуйте проверки его комплектности и исправности в Вашем присутствии, инструкцию по эксплуатации и заполненный Гарантийный талон на русском языке. В гарантийном талоне должны быть внесены: модель, дата продажи, серийный номер, дата производства инструмента; название, печать и подпись торговой организации. При отсутствии у Вас правильно заполненного Гарантийного талона, а также несоответствия указанных в нем данных, мы будем вынуждены отклонить Ваши претензии по качеству данного изделия.
3. Во избежание недоразумений, убедительно просим Вас перед началом работы с изделием внимательно ознакомиться с инструкцией по его эксплуатации. Правовой основой настоящих гарантийных условий является действующее Законодательство. Гарантийный срок на данное изделие составляет 36 месяцев и исчисляется со дня продажи. В случае устранения недостатков изделия, гарантийный срок продлевается на период его нахождения в ремонте. Срок службы изделия составляет 5 лет со дня продажи.
4. В случае возникновения каких-либо проблем в процессе эксплуатации изделия рекомендуем Вам обращаться только в уполномоченные сервисные центры STANLEY FATMAX, адреса и телефоны которых Вы сможете найти на сайте [www.2helpU.com](http://www.2helpU.com) или узнать в магазине. Наши сервисные станции - это не только квалифицированный ремонт, но и широкий ассортимент запчастей и принадлежностей.
5. Производитель рекомендует проводить периодическую проверку и техническое обслуживание изделия в уполномоченных сервисных центрах.
6. Наши гарантийные обязательства распространяются только на неисправности, выявленные в течение гарантийного срока и вызванные дефектами производства и / или материалов.
7. Гарантийные условия не распространяются на неисправности изделия, возникшие в результате:
  - 7.1. Несоблюдения пользователем предписаний инструкции по эксплуатации изделия, применения изделия не по назначению, неправильного хранения, использования принадлежностей, расходных материалов и запчастей, не предусмотренных производителем.
  - 7.2. Механического повреждения (сколы, трещины и разрушения) внутренних и внешних деталей изделия, основных и вспомогательных рукояток, сетевого электрического кабеля, вызванного внешним ударным или любым иным воздействием.
  - 7.3. Попадания в вентиляционные отверстия и проникновение внутрь изделия посторонних предметов, материалов или веществ, не являющихся отходами, сопровождающими применение изделия по назначению, такими как: стружка, опилки, песок, и пр.
  - 7.4. Воздействия на изделие неблагоприятных атмосферных и иных внешних факторов, таких как дождь, снег, повышенная влажность, нагрев, агрессивные среды, несоответствие параметров питающей электросети, указанных на инструменте.
  - 7.5. Стихийного бедствия. Повреждение или утрата изделия, связанное с непредвиденными бедствиями, стихийными явлениями, в том числе вследствие действия непреодолимой силы (пожар, молния, потоп и другие природные явления), а также вследствие перепадов напряжения в электросети и других причин, которые находятся вне контроля производителя.
8. Гарантийные условия не распространяются:
  - 8.1. На инструменты, подвергавшиеся вскрытию, ремонту или модификации вне уполномоченного сервисного центра.
  - 8.2. На детали и узлы, имеющие следы естественного износа, такие как: приводные ремни и колеса, угольные щетки, смазка, подшипники, зубчатое зацепление редукторов, резиновые уплотнения, сальники, направляющие ролики, муфты сцепления, бойки, толкатели, стволы, и т.п.
  - 8.3. На сменные и расходные части: цанги, зажимные гайки и фланцы, фильтры, ножи, шлифовальные подошвы, цепи, звездочки, пыльные шины, защитные кожухи, пилки, абразивы, пыльные и абразивные диски, фрезы, сверла, буры и т.п.
  - 8.4. На неисправности, возникшие в результате перегрузки инструмента (как механической, так и электрической), повлекшей выход из строя одновременно двух и более деталей и узлов, таких как ротора и статора, обеих обмоток статора, ведомой и ведущей шестерни редуктора или других узлов и деталей. К безусловным признакам перегрузки изделия относятся, помимо прочего: появление цветов побежалости, деформация или оплавление деталей и узлов изделия, потемнение или обугливание изоляции проводов электродвигателя под воздействием высокой температуры.

Товар получен в исправном состоянии, без видимых повреждений, в полной комплектации, проверен в моем присутствии, претензий по качеству товара не имею. С условиями гарантийного обслуживания ознакомлен и согласен.

Ф. И. О. и подпись покупателя \_\_\_\_\_

**Уважаемые клиенты, наша сеть авторизованных сервисных центров постоянно расширяется. Актуальную информацию об обслуживании в интересующем вас городе вы можете узнать на сайте**

**[www.2helpU.com](http://www.2helpU.com)**

**Информация об инструменте**

Наименование инструмента	
Модель	
Наименование продавца	
Дата продажи	

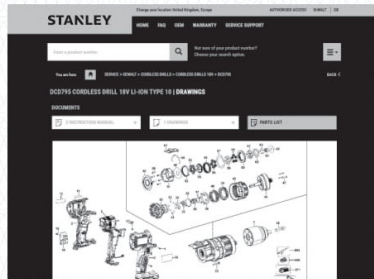
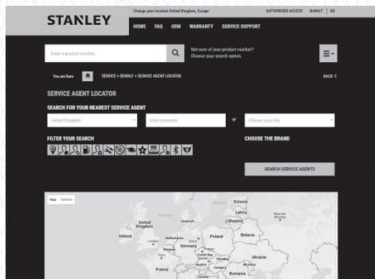
М.П.  
Продавца

**Серийный номер / Дата производства**

Инструмент	
Зарядное устройство	
Аккумулятор 1	
Аккумулятор 2	

**На сайте [www.2helpU.com](http://www.2helpU.com) доступны следующие функции:**

- Список авторизованных сервисных центров
- Удобный поиск ближайшего сервисного центра
- Руководство по эксплуатации
- Технические характеристики
- Список деталей и запасных частей
- Схема сборки инструмента



**Также данную информацию вы можете получить, позвонив по телефону:  
8(800) 1000 876**

**ОТМЕТКА О ПРОВЕДЕНИИ СЕРВИСНОГО ОБСЛУЖИВАНИЯ**

№1	№2	№3	№4
№ заказа	№ заказа	№ заказа	№ заказа
Дата поступления	Дата поступления	Дата поступления	Дата поступления
Дата ремонта	Дата ремонта	Дата ремонта	Дата ремонта
Печать и подпись сервисного центра	Печать и подпись сервисного центра	Печать и подпись сервисного центра	Печать и подпись сервисного центра



**Використання за призначенням** Відбійний молоток STANLEY® FATMAX® SFMEH220 призначений для дроблення, довбання та розбивання з легкою та середньою силою у бетоні, цеглі та кам'яній кладці. Цей пристрій призначений для професійного використання, а також для приватного непрофесійного користування.

## Інструкції з техніки безпеки

### Загальні правила безпеки для електричного інструмента



**Увага! Прочитайте всі попередження та інструкції.** Невиконання наведених нижче попереджень та інструкцій може призвести до ураження електричним струмом, пожежі та/або серйозних травм.

**Збережіть всі попередження та інструкції для використання в майбутньому.** Термін «електричний інструмент» в усіх попередженнях, перерахованих нижче, стосується використовуваних вами інструментів, що працюють від мережі енергоспоживання (з використанням електричного кабелю) або батарей (без кабелю).

1. **Безпека робочої зони**
  - a. **Тримайте робочу зону чистою та добре освітленою.** Невпорядковані й темні робочі зони збільшують імовірність нещасного випадку.
  - b. **Не використовуйте електричні інструменти у вибухонебезпечній атмосфері, наприклад у присутності займистих рідин, газів та пилу.** Електричні інструменти створюють іскри, що можуть запалити пил або випаровування.
  - c. **Тримайте дітей та сторонніх подалі від вас при використанні інструмента.** Відвернення уваги може призвести до втрати контролю.
2. **Електрична безпека**
  - a. **Вилка електричного інструмента має відповідати розетці. Ніколи жодним чином не змінюйте вилку. Не використовуйте адаптери з заземленими електричними інструментами.** Немодифіковані вилки та розетки, що відповідають їм, зменшують ризик ураження електричним струмом.
  - b. **Уникайте контакту тіла із заземленими поверхнями, такими як труби, радіатори, плити та холодильники.** Якщо ваше тіло заземлене, збільшується ризик ураження електричним струмом.
  - c. **Не залишайте електричні інструменти під дощем або за умов підвищеної вологості.** Вода, що потрапляє в електричний інструмент, підвищує ризик ураження електричним струмом.
  - d. **Не використовуйте кабель живлення не за призначенням. Ніколи не переносьте, не тягніть та не відключайте електричний інструмент від розетки живлення за допомогою шнура.** Тримайте шнур подалі від високих температур, мастила, гострих предметів та рухомих деталей. Пошкоджені або перекручені шнури підвищують ризик ураження електричним струмом.
  - e. **Під час експлуатації електричного інструмента на вулиці використовуйте подовжувальний шнур, що призначений для використання поза приміщенням.** Використання шнура, що призначений для використання поза приміщенням, знижує ризик ураження електричним струмом.
  - f. **Якщо неможливо уникнути використання електричного інструмента за умов підвищеної вологості, використовуйте джерело живлення, захищене пристроєм з керуванням диференційним струмом (RCD).** Використання RCD знижує ризик ураження електричним струмом.
3. **Особиста безпека**
  - a. **Будьте в стані готовності, дивіться, що ви робите, та будьте розсудливі, працюючи з електричним інструментом. Не використовуйте електричний інструмент, коли ви втомлені або знаходитесь під впливом наркотичних речовин, алкоголю або ліків.** Втрата уваги під час роботи з електричними інструментами може призвести до серйозних травм.
  - b. **Використовуйте особисті засоби безпеки. Завжди використовуйте засоби захисту очей.** Засоби безпеки, такі як протипилова маска, нековзкі безпечні черевки, захисний шолом та засоби захисту слухового апарату, які використані для відповідних умов, зменшують імовірність особистих травм.
  - c. **Уникайте випадкового запуску. Переконайтесь в тому, що перемикач знаходиться в позиції Вимк., перш ніж підключати інструмент до джерела живлення та/або акумулятора, перемішувати або переносити.** Якщо ви переносите інструмент, тримаючи палець на перемикачі, або підключаєте живлення з перемикачем в позиції Увімк., це може призвести до нещасного випадку.
  - d. **Зніміть всі налаштовувальні ключі або гайкові ключі перед вмиканням електричного інструмента.** Гайковий ключ, що залишився прикріпленим до якоїсь деталі електричного пристрою, що обертається, може призвести до травм.
  - e. **Не перенапружуйтеся. Завжди утримуйте правильну постановку ніг і рівновагу.** Це дає вам змогу краще контролювати інструмент в непередбачуваних ситуаціях.

- f. **Вдягайте відповідний одяг. Не вдягайте вільний одяг або прикраси. Тримайте ваше волосся, одяг та рукавички подалі від рухомих деталей.** Вільний одяг, прикраси або довге волосся можуть зачепитися за рухомі деталі.
- g. **Якщо передбачені пристрої для підключення до засобів виділення та збирання пилу, переконайтеся, що вони правильно підключені та використовуються.** Використання таких пристроїв зменшує ризик виникнення небезпечних ситуацій, що пов'язані з потраплянням пилу.
4. **Використання електричного інструмента та догляд за ним**
- a. **Не застосовуйте надмірні зусилля під час роботи з інструментом. Використовуйте електричний інструмент, який відповідає завданню, що виконується.** Правильно обраний інструмент виконає завдання краще та безпечніше за умов, для яких він був розроблений.
- b. **Не використовуйте інструмент, вмикач якого не вмикає та не вимикає його.** Будь-який електричний інструмент, який не може управлятися вмикачем, є небезпечним і має бути відремонтований.
- c. **Відключіть вилку від джерела живлення та/або зніміть акумуляторний блок з електричного інструмента перед тим, як робити будь-які налаштування, змінювати додаткове обладнання чи зберігати електричні інструменти.** Ці профілактичні заходи зменшують ризик випадкового запуску електричного інструмента.
- d. **Зберігайте вимкнені електричні інструменти подалі від дітей та не дозволяйте особам, що не знайомі з електричним інструментом або цими інструкціями, використовувати електричний інструмент.** Електричні інструменти є небезпечними, якщо вони використовуються некваліфікованими користувачами.
- e. **Технічне обслуговування електричних інструментів. Перевіряйте несумісність або заїданя рухомих деталей, наявність ушкоджених частин та інших умов, що можуть впливати на роботу електричного інструмента. Якщо є пошкодження, відремонтуйте електричний інструмент перед використанням.** Багато нещасних випадків є результатом того, що інструмент не пройшов відповідного технічного обслуговування.
- f. **Тримайте ріжучі інструменти гострими та чистими.** Правильно доглянуті ріжучі інструменти з гострими ріжучими кромками мають меншу ймовірність заїданя, та ними легше керувати.
- g. **Використовуйте електричний інструмент, приладдя та деталі інструмента тощо у відповідності до цих інструкцій, зважаючи на**

**умови використання та роботу, яка має бути виконана.** Використання електричних інструментів не за призначенням може призвести до виникнення небезпечних ситуацій.

## 5. Обслуговування

- a. **Передавайте електричний інструмент для обслуговування кваліфікованим спеціалістам з ремонту та використовуйте тільки ідентичні замініні деталі.** Це забезпечить безпеку електричного пристрою.

## Додаткові правила безпеки для електричного інструмента



**Увага!** Додаткові правила з техніки безпеки для відбійних молотків.

- ◆ **Використовуйте засоби захисту слуху.** Шум може призвести до втрати слуху.
- ◆ **Використовуйте додаткові ручки, що надаються з інструментом.** Втрата контролю над інструментом може викликати травми.
- ◆ **Тримайте інструмент за ізольовану поверхню при виконанні операцій коли ріжучі аксесуари можуть торкнутися проводки або власного кабелю.** У разі контакту різального приладдя з дротом під напругою може з'явитися напруга в металевих деталях інструмента, що може призвести до ураження оператора електричним струмом
- ◆ **При довбанні переконайтеся у відсутності прихованої електропроводки або труб газопостачання, а також у тому, що їх розташування було уточнено в компанії комунального обслуговування.**
- ◆ **Постійно міцно тримайте інструмент. Не намагайтесь використовувати інструмент, тримаючи його лише однією рукою.** Робота з інструментом, тримаючи його однією рукою, може призвести до втрати контролю. Пробивання або контакт з твердими матеріалами, наприклад, арматурним стрижнем, також може нести небезпеку. Перед використанням надійно затягніть бокову ручку.
- ◆ **Перед роботою переконайтеся, що долото надійно закріплене.**
- ◆ **За умов холодної погоди або після тривалої перерви у використанні інструмента дайте інструменту можливість попрацювати без навантаження кілька хвилин перед тим, як працювати з ним.**
- ◆ **При роботі вище рівня ґрунту спочатку переконайтеся, що на землі немає сторонніх предметів.**
- ◆ **Не торкайтесь долота або деталей поблизу долота одразу після роботи, оскільки вони можуть бути дуже гарячими і спричинити опіки на шкірі.**

- ◆ Кабель живлення завжди повинен знаходитись позаду пристрою подалі від долота.
- ◆ Не використовуйте інструмент тривалий час. Вібрація, спричинена перфоратором, може бути шкідливою для ваших рук. Використовуйте рукавиці для захисту та обмежуйте вплив вібрації, роблячи часті перерви.

### Безпека оточення

- ◆ Цей пристрій не призначений для використання особами (включаючи дітей) із зниженими фізичними, сенсорними або розумовими можливостями або особами, яким бракує досвіду або знань за винятком випадків, коли такі особи працюють під наглядом або отримали інструкції щодо використання пристрою від особи, яка несе відповідальність за їх безпеку.
- ◆ Уважно слідкуйте за тим, щоб діти не гралися з пристроєм.

### Залишкові ризики.

Під час використання інструмента можуть виникнути додаткові залишкові ризики, які не внесені до попереджень щодо техніки безпеки в цьому посібнику. Ці ризики можуть виникнути як результат неправильного використання, тривалого використання тощо.

Незважаючи на виконання всіх відповідних правил техніки безпеки та використання захисних пристроїв, неможливо уникнути деяких залишкових ризиків. Сюди належать:

- ◆ Травми через контакт з деталями, що рухаються/обертаються.
- ◆ Травми під час заміни деталей, пильних дисків або аксесуарів.
- ◆ Травми через занадто тривале використання інструменту. Під час використання будь-якого інструменту протягом тривалого періоду часу не забувайте робити регулярні перерви.
- ◆ Порушення слуху.
- ◆ Небезпека для здоров'я через вдихання пилу, що утворюється під час використання інструменту (наприклад, при роботі з деревом, особливо з дубом, буком та ДВП).

### Вібрація

Значення вібрації, вказані у технічних даних та у декларації про відповідність виміряні з дотриманням стандартних методів тестування, наданих в EN 60745, та їх можна використовувати для порівняння одного інструменту з іншим. Задекларовані значення вібрації можна також використовувати для попереднього оцінювання впливу вібрації.

**Увага!** Значення вібрації під час використання інструмента може відрізнятися від задекларованого в залежності від способів використання інструмента. Рівень вібрації може

перевищувати вказані значення.

Оцінюючи вплив вібрації для визначення заходів безпеки за вимогами 2002/44/ЕС, щоб захистити людей, які регулярно використовують інструменти в роботі, необхідно враховувати реальні умови та способи використання інструмента, у тому числі всі періоди робочого циклу, наприклад час, коли інструмент вимкнено та коли він працює в режимі холодного ходу, а також час, потрібний для запуску інструмента.

### Написи на інструменті

Наступні піктограми нанесено на інструмент разом з кодом дати:



**Увага!** Щоб зменшити ризик травм, користувач повинен прочитати посібник з експлуатації.



Використовуйте захисні окуляри.



Використовуйте засоби захисту органів слуху.

### Електрична безпека



Цей пристрій має подвійну ізоляцію; тому заземлення не є необхідним. Завжди перевіряйте відповідність джерела живлення напрузі, яка вказана на табличці з паспортними даними.

- ◆ Якщо шнур живлення пошкоджений, його необхідно замінити у виробника або в офіційному сервісному центрі компанії Stanley Fat Max для уникнення небезпеки.

### Використання подовжувального кабелю

Завжди використовуйте рекомендований подовжуючий шнур, що відповідає вхідній потужності пристрою (див. Технічні дані).

Подовжувальний шнур повинен підходити для використання на вулиці та повинен мати відповідне маркування. До 30 м подовжувального шнура з площею перетину 1,5 мм<sup>2</sup> HO5VV-F можна використовувати без втрати продуктивності роботи виробу. Перед використанням огляньте кабель, щоб виявити ознаки пошкодження, зносу та старіння. Замініть кабель, якщо він пошкоджений або має якісь дефекти. У разі використання кабельного барабану завжди витягуйте весь кабель.

### Компоненти

Цей пристрій оснащено всіма або кількома з указаних нижче компонентів.

1. Бокова ручка
2. Перемикач

3. Кришка втулки
4. Патрон SDS MAX
5. Отвір для впорскування мастила

бути дуже гарячими під час роботи.

## Дроблення і додання (рис. Е)

- ◆ Вставте відповідне долото (не входить до комплекту) у правильне положення.
- ◆ Встановіть бокову ручку (1) у необхідне положення.
- ◆ Увімкніть інструмент та почніть роботу.
- ◆ Завжди вимикайте інструмент, коли робота завершена, та перед відключенням від мережі живлення.
- ◆ Дотримуйтеся загального переліку інструкцій з техніки безпеки та відповідних норм.
- ◆ Стежте за розташуванням труб та проводки.
- ◆ Застосовуйте лише м'який тиск на інструмент (приблизно 5 кг). Надмірне зусилля не прискорює додання, але знижує продуктивність інструменту та може скоротити його термін служби.
- ◆ Завжди міцно тримайте інструмент обома руками та стежте за безпечним положенням ніг. Завжди використовуйте інструмент із правильно встановленою боковою ручкою.

## Вірне положення рук (рис. F)

**Увага!** Щоб знизити ризик серйозних травм, ЗАВЖДИ правильно розташуйте руки, як показано на рисунку.

**Увага!** Для зменшення ризику серйозних травм ЗАВЖДИ міцно тримайте інструмент на випадок можливої віддачі. При правильному положенні рук необхідно одну руку тримати на боковій ручці (1), а іншу – на основній ручці.

**Увага!** Не використовуйте цей інструмент для змішування та відкачування легкозаймистих або вибухонебезпечних рідин (бензин, спирт, тощо). Не змішуйте та не перемішуйте легкозаймисті рідини з відповідною поміткою.

## Приладдя

Продуктивність роботи інструмента залежить від приладдя, яке ви використовуєте. Витратні матеріали виробництва компанії Stanley Fat Max розроблені з дотриманням високих стандартів якості та створені для підвищення ефективності використання вашого інструмента. Використовуючи це обладнання, ви отримаєте максимум ефективності від вашого інструменту.

## Технічне обслуговування

Ваш пристрій виробництва компанії Stanley Fat Max призначений для роботи протягом довгого часу з мінімальним обслуговуванням. Тривала задовільна робота приладу залежить від належного обслуговування приладу та регулярного його очищення.

**Увага!** Перед виконанням будь-якого технічного обслуговування інструмента зі шнуром живлення або без нього виконайте такі дії.

## Використання

**Увага!** Перед виконанням будь-якої з наступних операцій переконайтесь, що інструмент вимкнений та відключений від мережі живлення.

## Увімкнення та вимкнення (рис. А)

- ◆ Для запуску інструменту натисніть вимикач (2) і поверніть у положення «УВІМК.»
- ◆ Для зупинення інструменту поверніть вимикач у положення «ВИМК.» і звільніть вимикач (2)

## Установка бокової ручки (рис. В)

Бокова ручка (1) може бути встановлена так, щоб бути зручною для використання як правою, так і лівою рукою.

**Увага!** Не використовуйте інструмент без правильно встановленої бокової ручки.

- ◆ Відпустіть бокову ручку.
- ◆ Для використання правою рукою: Перемістіть затискач бокової ручки за тримач інструменту, тримаючи ручку зліва. Для використання лівою рукою: Перемістіть затискач бокової ручки за тримач інструменту, тримаючи ручку справа.
- ◆ Поверніть бокову ручку у необхідне положення і затягніть ручку.

## Установка та зняття насадок SDS Max (рис. С, D)

З цим інструментом використовують насадки SDS Max (см. вставку на рис. D: поперековий перетин хвостовика насадки SDS Max). Ми рекомендуємо використовувати лише професійні аксесуари.

- ◆ Очистіть та змастіть хвостовик насадки.
- ◆ Вставте хвостовик насадки у тримач насадок/затискне кільце насадки (4).
- ◆ Натисніть на насадку вниз та трохи поверніть його так, щоб воно ввійшло в отвір.
- ◆ Потягніть за насадку, щоб переконатися, що вона добре зафіксована. Функція удару вимагає, щоб насадка рухалася по осі на кілька сантиметрів після того, як вона заблокована у тримачі інструменту.
- ◆ Щоб зняти насадку, потягніть назад тримач насадок/кільце фіксації насадки (4) та витягніть свердел.

**Увага!** Завжди використовуйте рукавиці при зміні насадок. Відкриті металеві деталі інструменту та насадки можуть

- ◆ Вимкніть інструмент та відключіть його від мережі живлення.
- ◆ Або вимкніть інструмент та витягніть акумулятор з нього, якщо ваш пристрій має окремих акумуляторний блок.
- ◆ Або повністю розрядіть акумулятор, якщо пристрій має вбудований акумулятор, а потім вимкніть інструмент.
- ◆ Витягніть зарядний пристрій з розетки перед очищенням. Зарядний пристрій не вимагає технічного обслуговування, потрібно лише виконувати регулярне очищення.
- ◆ Регулярно очищуйте вентиляційні отвори пристрою/інструменту/зарядного пристрою за допомогою м'якої щітки або сухої ганчірки.
- ◆ Регулярно очищуйте корпус двигуна вологою тканиною. Не використовуйте абразивні очищувачі та засоби, що містять розчинники.
- ◆ Регулярно відкривайте затиснений патрон та струшуйте його, щоб видалити пил з середини (якщо патрон наявний).

### Заміна шнура живлення (тільки для Великої Британії та Ірландії)

Якщо потрібно встановити нову вилку, виконайте кілька дій.

- ◆ Зніміть стару вилку та утилізуйте її, дотримуючись правил техніки безпеки.
- ◆ Приєднайте коричневий провідник до активного виходу нової вилки.
- ◆ Приєднайте блакитний провідник до нейтрального виходу.

**Увага!** Жоден провід не повинен бути підключений до клеми заземлення. Дотримуйтеся інструкцій щодо встановлення, які постачаються з якісними вилками. Плавкий запобіжник, що рекомендується: 10 А.

### Захист навколишнього середовища



Роздільний збір. Пристрої та батареї, позначені цим символом, не можна викидати зі звичайним побутовим сміттям.

Пристрої та батареї містять матеріали, які можна відновити та переробити, що зменшить потребу у сировині. Будь ласка, віддавайте електричні інструменти та батареї на переробку відповідно до місцевих постанов. Більш детальну інформацію можна отримати на сайті [www.2helpU.com](http://www.2helpU.com)

### Технічні характеристики

		SFMEH220 (Тип 1)
Напруга	В	230
Частота	Гц	50

		SFMEH220 (Тип 1)
Вхідна потужність	Вт	1010
Швидкість при ударному навантаженні	уд/ хв	2900
Ударна енергія (EPTA / Max)	J	8,5
Тип патрона		SDS Max
Маса	кг	6,3

Рівень звукового тиску SFMEH220 згідно з EN60745:		
Звуковий тиск ( $L_{pA}$ )	дБ(A)	85
Похибка звукового тиску ( $K_{pA}$ )	дБ(A)	3
Рівень звукової потужності ( $L_{WA}$ )	дБ(A)	96
Похибка акустичної потужності ( $K_{WA}$ )	дБ(A)	3
Значення вібрації ah (довбання):		
( $a_{h,Choc}$ )	м/с <sup>2</sup>	11
Похибка (K)	м/с <sup>2</sup>	1,5

### Декларація про відповідність нормам ЄС ДИРЕКТИВА ДЛЯ МЕХАНІЧНОГО ОБЛАДНАННЯ



SFMEH220 Відбійний молоток  
Компанія Stanley Europe заявляє, що продукти, описані у розділі «Технічні дані» відповідають вимогам: 2006/42/EC, EN 60745-1, EN 60745-2-6

Ці продукти також відповідають Директивам 2014/30/EU і 2011/65/EU. Для отримання додаткової інформації зверніться до компанії Stanley Europe за наведеною нижче адресою або прочитайте

інформацію на зворотному боці цього посібника.

Особа, яка підписалася нижче, несе відповідальність за упорядкування файлу технічних характеристик та робить цю заяву від компанії Stanley Europe.

A.P. Smith  
Технічний директор  
Stanley Fat Max Europe, Egide Walschaertsstraat14-18,  
2800 Mechelen, Бельгія  
22.07.2019

## Гарантія

Компанія Stanley Fat Max впевнена в якості своєї продукції та пропонує споживачам гарантію тривалістю 12 місяці з дати покупки.

Ця гарантія доповнює і жодним чином не обмежує ваші законні права. Ця гарантія є чинною на території країн-членів Європейського Союзу та в європейській зоні вільної торгівлі.

Позив за гарантією повинен відповідати умовам компанії Stanley Fat Max, при цьому вам необхідно буде надати доказ покупки продавцю або спеціалісту офіційного сервісного центру. Умови 1-річної гарантії компанії Stanley Fat Max та місцезнаходження найближчого сервісного центру можна дізнатися в інтернеті на сайті [www.2helpU.com](http://www.2helpU.com) або звернутися до місцевого представництва компанії Stanley Fat Max за адресою, вказаною у цьому керівництві. Будь ласка, відвідайте наш сайт [www.stanley.eu/3](http://www.stanley.eu/3), щоб зареєструвати свій новий продукт Stanley Fat Max та отримувати інформацію про нові продукти та спеціальні пропозиції.



Виробник:  
"Stanley Black & Decker Deutschland  
GmbH" Black-&-Decker Str.40, D-65510  
Idstein, Німеччина



**STANLEY**  
**FATMAX**
**ГАРАНТІЙНИЙ ТАЛОН**
**3 РОКИ**  
**ГАРАНТІЇ**

- Вітаємо Вас з покупкою високоякісного виробу Stanley FATMAX і висловлюємо вдячність за Ваш вибір.
- При покупці виробу вимагайте перевірки його комплектності і справності у Вашій присутності, інструкцію з експлуатації та заповнений гарантійний талон українською мовою. В гарантійному талоні повинні бути внесені: модель, дата продажу, серійний номер, дата виробництва інструменту; назва, печатка і підпис торгової організації. За відсутності у Вас правильно заповненого гарантійного талону, а також при невідповідності зазначених у ньому даних ми будемо змушені відхилити Ваші претензії щодо якості даного виробу.
- Щоб уникнути непорозуміння, переконливо просимо Вас перед початком роботи з виробом уважно ознайомитися з інструкцією з його експлуатації. Правовою основою справжніх гарантійних умов є чинне Законодавство. Гарантійний термін на даний виріб складає 36 місяців і обчислюється з дня продажу. У разі усунення недоліків виробу, гарантійний строк продовжується на період його перебування в ремонті. Термін служби виробу становить 5 років з дня продажу.
- У разі виникнення будь-яких проблем у процесі експлуатації виробу рекомендуємо Вам звертатися тільки в уповноважені сервісні центри Stanley FATMAX, адреси та телефони яких Ви зможете знайти в гарантійному талоні, на сайті [www.2helpU.com](http://www.2helpU.com) або дізнатися в магазині. Наші сервісні станції - це не тільки кваліфікований ремонт, але і широкий асортимент запчастин і аксесуарів.
- Виробник рекомендує проводити періодичну перевірку і технічне обслуговування виробу в уповноважених сервісних центрах.
- Наші гарантійні зобов'язання поширюються тільки на несправності, виявлені протягом гарантійного терміну і викликані дефектами виробництва та \ або матеріалів.
- Гарантійні умови не поширюються на несправності виробу, що виникли в результаті:
  - Недотримання користувачем приписів інструкції з експлуатації виробу, застосування виробу не за призначенням, неправильного зберігання, використання приладдя, витратних матеріалів і запчастин, що не передбачені виробником.
  - Механічного пошкодження (відколю, тріщини і руйнування) внутрішніх і зовнішніх деталей виробу, основних і допоміжних рукояток, мережевого кабелю, що викликані зовнішнім ударним або будь-яким іншим впливом
  - Потраплення у вентиляційні отвори та проникнення всередину виробу сторонніх предметів, матеріалів або речовин, що не є відходами, які супроводжують застосування виробу за призначенням, такими як: стружка, тирса, пісок, та ін.
  - Впливу на виріб несприятливих атмосферних і інших зовнішніх факторів, таких як дощ, сніг, підвищена вологість, нагрівання, агресивні середовища, невідповідність параметрів електромережі, що зазначені на інструменті.
  - Стихійного лиха. Пошкодження або втрати виробу, що пов'язані з непередбаченими лихами, стихійними явищами, у тому числі внаслідок дії непереборної сили (пожежа, блискавка, потоп і інші природні явища), а також внаслідок перепадів напруги в електромережі та іншими причинами, які знаходяться поза контролем виробника.
- Гарантійні умови не поширюються:
  - На інструменти, що піддавались розкриттю, ремонту або модифікації поза уповноваженим сервісним центром.
  - На деталі, вузли та матеріали, що мають сліди природного зносу, такі як: приводні реміні і колеса, вугільні щітки, мастило, підшипники, зубчасті зчеплення редукторів, гумові ущільнення, сальники, направляючі ролики, муфти, вимикачі, бойки, штовхачі, стволи тощо.
  - На змінні частини: патрони, цанги, затискні гайки і фланці, фільтри, ножі, шліфувальні підшови, ланцюги, зірочки, пильні шини, захисні кошуки, пилки, абразиви, пильні і абразивні диски, фрези, свердла, бури тощо
  - На несправності, що виникли в результаті перевантаження інструменту (як механічного, так і електричного), що спричинили вихід з ладу одночасно двох і більше деталей і вузлів, таких як: ротора і статора, обох обмоток статора, веденої і ведучої шестерні редуктора або інших вузлів і деталей. До безумовних ознак перевантаження виробу відносяться, крім інших: поява кольорів мільниці, деформація або оплавлення деталей і вузлів виробу, потемніння або обуглювання ізоляції проводів електроприводу під впливом високої температури.

Товар отриманий в справному стані, без видимих ушкоджень, в повній комплектації, перевірений у моїй присутності, претензій щодо якості товару не маю. З умовами гарантійного обслуговування ознайомлений і згоден.

П. І. Б. та підпис власника \_\_\_\_\_

**Шановні клієнти, наша мережа авторизованих сервісних центрів постійно розширюється. Актуальну інформацію про обслуговування в місті, що цікавить вас, ви можете дізнатися на сайті**

**[www.2helpU.com](http://www.2helpU.com)**

Інформація про інструмент

Найменування інструменту	
Модель	
Найменування продавця	
Дата продажу	

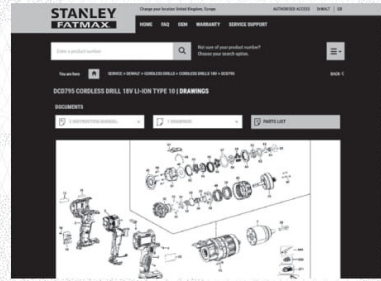
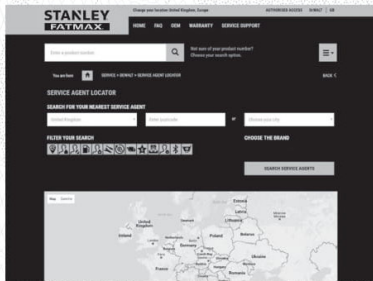
М.П.  
Продавця

Серійний номер/Дата виробництва

Інструмент	
Зарядний пристрій	
Акумулятор 1	
Акумулятор 2	

На сайті [www.2helpU.com](http://www.2helpU.com) доступні наступні функції:

- Список авторизованих сервісних центрів
- Зручний пошук найближчого сервісного центру
- Керівництво з експлуатації
- Технічні характеристики
- Список деталей і запасних частин
- Схема складання інструменту



Також дану інформацію ви можете отримати, зателефонувавши за номером:  
**0 (800) 211 521** в Україні

ВІДІТКА ПРО ПРОВЕДЕННЯ СЕРВІСНОГО ОБСЛУГОВУВАННЯ

№1	№2	№3	№4
№ замовлення	№ замовлення	№ замовлення	№ замовлення
Дата прийому	Дата прийому	Дата прийому	Дата прийому
Дата ремонту	Дата ремонту	Дата ремонту	Дата ремонту
Печатка і підпис сервісного центру	Печатка і підпис сервісного центру	Печатка і підпис сервісного центру	Печатка і підпис сервісного центру









