

DEWALT®

D25102(K)

D25103K

D25104K

D25203K

English

6

한글판

13

简体中文

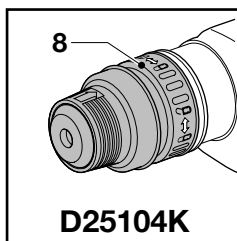
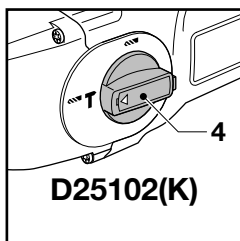
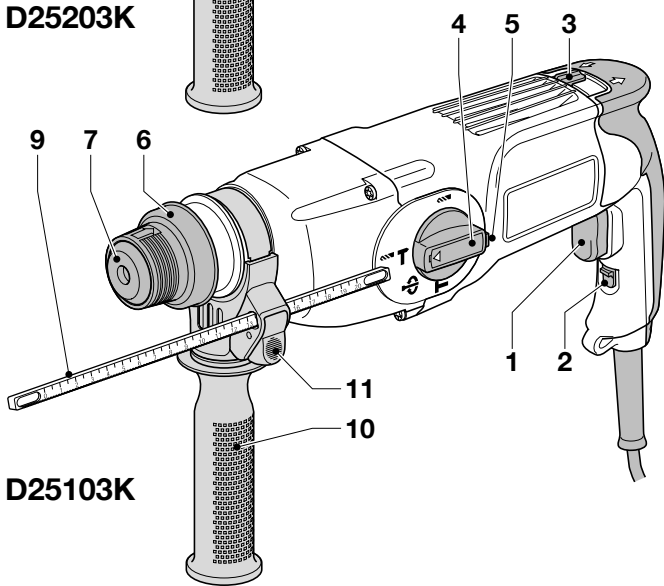
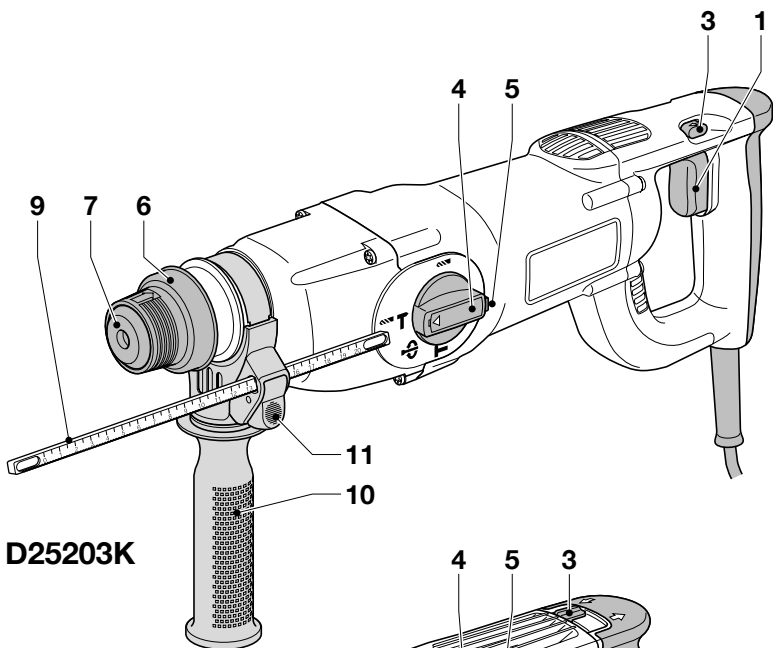
20

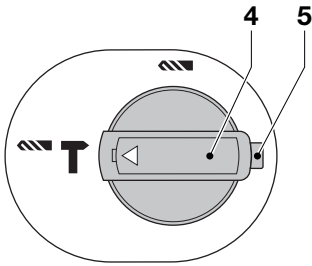
繁體中文

27

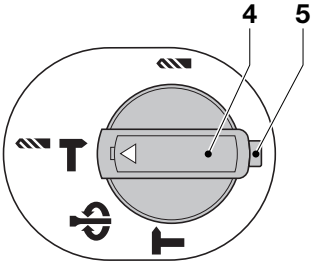
ไทย

34

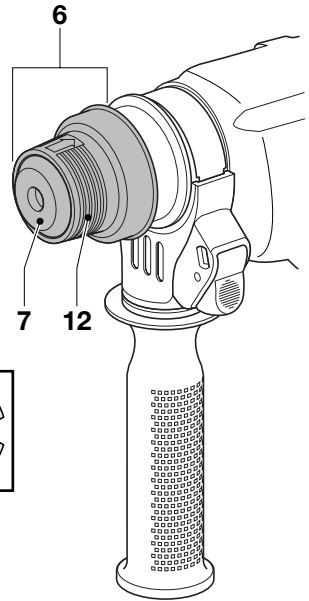




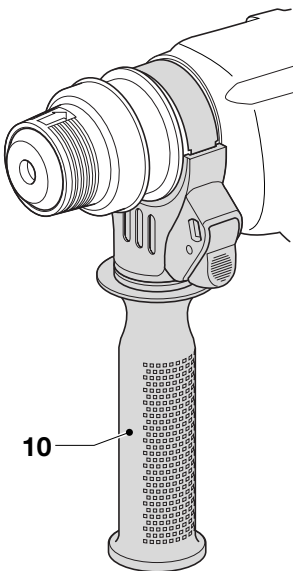
B1



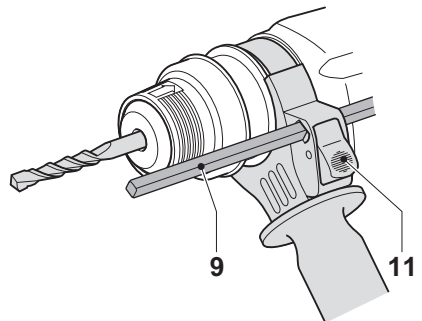
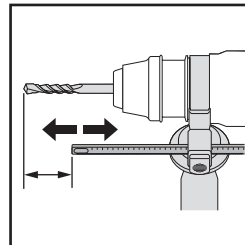
B2



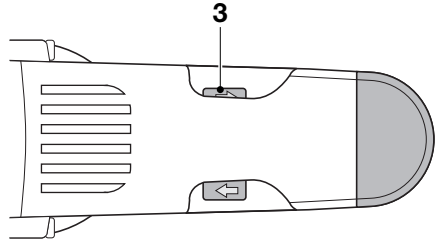
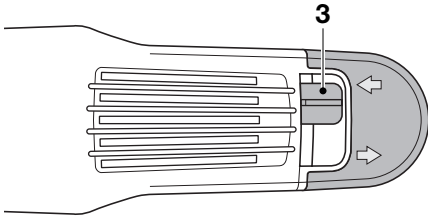
C



D

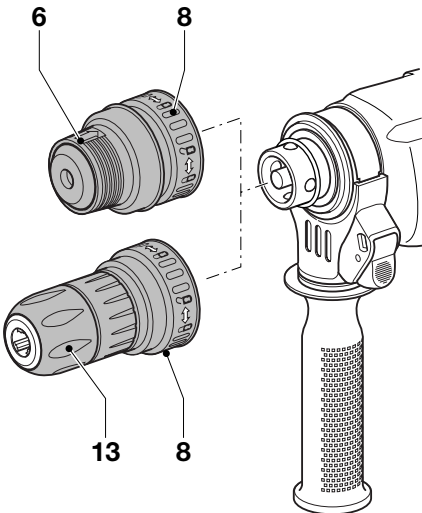


E

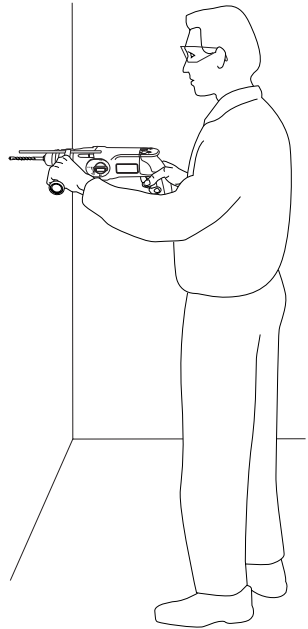


F1

F2



G



H

HEAVY DUTY ROTARY HAMMER DEILL D25102(K)/D25103K/D25104K/D25203K

Congratulations!

You have chosen a DeWALT tool. Years of experience, thorough product development and innovation make DeWALT one of the most reliable partners for professional power tool users.

Technical data

	D25102(K)	D25103K	D25104K	D25203K
Voltage	V 220	220	220	220
Power input	W 680	680	680	710
No-load speed	min ⁻¹ 0 - 1,100	0 - 1,100	0 - 1,100	0 - 1,100
Load speed	min ⁻¹ 0 - 800	0 - 800	0 - 800	0 - 800
Impact energy				
hammer drilling	J 2.8	2.8	2.8	2.8
chiselling	J -	3.0	3.0	3.1
Maximum drilling range in steel/wood/concrete	mm 13/30/24	13/30/24	13/30/24	13/30/26
Chisel positions	-	51	51	51
Core drilling capacity in soft brick	mm 65	65	65	65
Tool holder	SDS-plus®	SDS-plus®	SDS-plus®	SDS-plus®
Collar diameter	mm 54	54	54	54
Weight	kg 2.55	2.6	2.8	2.75

The following symbols are used throughout this manual:



Denotes risk of personal injury, loss of life or damage to the tool in case of non-observance of the instructions in this manual.



Denotes risk of electric shock.



Fire hazard.

EC-Declaration of conformity



D25102(K)/D25103K/D25104K/D25203K

DeWALT declares that these power tools have been designed in compliance with: 98/37/EEC, 89/336/EEC, 73/23/EEC, EN 50144, EN 55014-2, EN 55014-1, EN 61000-3-2 & EN 61000-3-3.

For more information, please contact DeWALT at the address below, or refer to the back of the manual.

Level of sound pressure according to 86/188/EEC & 98/37/EEC, measured according to EN 50144:

		D25102(K)	D25103K
L_{pA}	(sound pressure) dB(A)*	90.5	90.5
L_{WA}	(acoustic power) dB(A)	99	99

		D25104K	
L_{pA}	(sound pressure) dB(A)*	90.5	
L_{WA}	(acoustic power) dB(A)	99	

* at the operator's ear



Take appropriate measures for the protection of hearing.

Weighted root mean square acceleration value according to EN 50144:

D25102(K)	D25103K	D25104K	D25203K
9.2 m/s ²	9.2 m/s ²	9.2 m/s ²	9.2 m/s ²

Director Engineering and Product Development
Horst Großmann

DEWALT, Richard-Klinger-Straße 11
D-65510, Idstein, Germany

Safety instructions

When using power tools, always observe the safety regulations applicable in your country to reduce the risk of fire, electric shock and personal injury.

Read all of this manual carefully before operating the tool.

Save this manual for future reference.

General

1 Keep work area clean

Cluttered areas and benches can cause accidents.

2 Consider work area environment

Do not expose the tool to rain. Do not use the tool in damp or wet conditions. Keep the work area well lit (250 - 300 Lux). Do not use the tool where there is a risk of causing fire or explosion, e.g. in the presence of flammable liquids and gases.

3 Keep children away

Do not allow children, visitors or animals to come near the work area or to touch the tool or the mains cable.

4 Dress properly

Do not wear loose clothing or jewellery, as these can be caught in moving parts. Wear protective hair covering to keep long hair out of the way. When working outdoors, preferably wear suitable gloves and non-slip footwear.

5 Personal protection

Always use safety glasses. Use a face or dust mask whenever the operations may produce dust or flying particles. If these particles might be considerably hot, also wear a heat-resistant apron. Wear ear protection at all times.

6 Guard against electric shock

Prevent body contact with earthed surfaces (e.g. pipes, radiators, cookers and refrigerators). When using the tool under extreme conditions (e.g. high humidity, when metal swarf is being produced, etc.), electric safety can be improved by inserting an isolating transformer or a (FI) earth-leakage circuit-breaker.

7 Do not overreach

Keep proper footing and balance at all times.

8 Stay alert

Watch what you are doing. Use common sense. Do not operate the tool when you are tired.

9 Secure workpiece

Use clamps or a vice to hold the workpiece. It is safer and it frees both hands to operate the tool.

10 Connect dust extraction equipment

If devices are provided for the connection of dust extraction and collection facilities, ensure that these are connected and properly used.

11 Remove adjusting keys and wrenches

Always check that adjusting keys and wrenches are removed from the tool before operating the tool.

12 Extension cables

Before use, inspect the extension cable and replace if damaged. When using the tool outdoors, only use extension cables intended for outdoor use and marked accordingly.

13 Use appropriate tool

The intended use is described in this instruction manual. Do not force small tools or attachments to do the job of a heavy-duty tool.

The tool will do the job better and safer at the rate for which it was intended. Do not force the tool.

Warning! The use of any accessory or attachment or performance of any operation with this tool other than those recommended in this instruction manual may present a risk of personal injury.

14 Check for damaged parts

Before use, carefully check the tool and mains cable for damage. Check for misalignment and seizure of moving parts, breakage of parts, damage to guards and switches and any other conditions that may affect its operation. Ensure that the tool will operate properly and perform its intended function. Do not use the tool if any part is damaged or defective. Do not use the tool if the switch does not turn it on and off. Have any damaged or defective parts replaced by an authorised DeWALT repair agent. Never attempt any repairs yourself.

15 Unplug tool

Switch off and wait for the tool to come to a complete standstill before leaving it unattended. Unplug the tool when not in use, before changing any parts of the tools, accessories or attachments and before servicing.

16 Avoid unintentional starting

Do not carry the tool with a finger on the switch. Be sure that the tool is switched off before plugging in.

17 Do not abuse cord

Never carry the tool by its cord. Never pull the cord to disconnect from the socket. Keep the cord away from heat, oil and sharp edges.

18 Store idle tools

When not in use, tools must be stored in a dry place and locked up securely, out of reach of children.

19 Maintain tools with care

Keep the tools in good condition and clean for better and safer performance. Follow the instructions for maintenance and changing accessories. Keep all handles and switches dry, clean and free from oil and grease.

20 Repairs

This tool is in accordance with the relevant safety regulations. Have your tool repaired by an authorised DeWALT repair agent. Repairs should only be carried out by qualified persons using original spare parts; otherwise this may result in considerable danger to the user.

Package contents

The package contains:

- 1 Heavy duty rotary hammer drill
- 1 Side handle
- 1 Depth adjustment rod
- 1 Kitbox (K-models only)
- 1 Keyless chuck (D25104K)
- 1 Instruction manual

- Check for damage to the tool, parts or accessories which may have occurred during transport.
- Take the time to thoroughly read and understand this manual prior to operation.

Your heavy duty rotary hammer drill D25102(K)/D25103K/D25104K/D25203K has been designed for professional rotary and hammer drilling, screwdriving and light chipping, chiselling, demolition applications and for carbide tipped core drilling.

- 1 Variable speed switch
- 2 Lock-on button (D25102(K)/D25103K/D25104K)
- 3 Forward/reverse slider
- 4 Mode selector
- 5 Safety lock
- 6 Tool holder
- 7 Dust cover
- 8 Locking collar (D25104K)
- 9 Depth adjustment rod
- 10 Side handle
- 11 Depth stop clamp

Torque limiting clutch

All rotary hammer drills are equipped with a torque limiting clutch that reduces the maximum torque reaction transmitted to the operator in case of jamming of a drill bit. This feature also prevents the gearing and electric motor from stalling. The torque limiting clutch has been factory-set and cannot be adjusted.

Electrical safety

The electric motor has been designed for one voltage only. Always check that the power supply corresponds to the voltage on the rating plate.



Your DeWALT tool is double insulated in accordance with EN 50144; therefore no earth wire is required.

Using an extension cable

If an extension cable is required, use an approved extension cable suitable for the power input of this tool (see technical data). The minimum conductor size is 1.5 mm².

When using a cable reel, always unwind the cable completely.

Also refer to the table below.

Conductor size (mm ²)		Cable rating (Amperes)					
0.75		6					
1.00		10					
1.50		15					
2.50		20					
4.00		25					
		0					
		Cable length (m)					
		7.5	15	25	30	45	60
Voltage	Amperes	Cable rating (Amperes)					
115	- 02.0	6	6	6	6	6	1
	2.1 - 3.4	6	6	6	6	15	15
	3.5 - 5.0	6	6	10	15	20	20
	5.1 - 7.0	10	10	15	20	20	25
	7.1 - 12.0	15	15	20	25	25	-
230	12.1 - 20.0	20	20	25	-	-	-
	0 - 2.0	6	6	6	6	6	6
	2.1 - 3.4	6	6	6	6	6	6
	3.5 - 5.0	6	6	6	6	10	15
	5.1 - 7.0	10	10	10	10	15	15
7.1 - 12.0	15	15	15	15	20	20	
12.1 - 20.0	20	20	20	20	25	-	

Assembly and adjustment



Prior to assembly and adjustment always unplug the tool.

Selecting the operating mode (fig. B1 & B2)

D25102(K) (fig. B1)

The tool can be used in the following operating modes:



Rotary drilling: for screwdriving and for drilling into steel, wood and plastics



Hammer drilling: for concrete and masonry drilling operations.

D25103K/D25104K/D25203K (fig. B2)

The tool can be used in the following operating modes:



Rotary drilling: for screwdriving and for drilling into steel, wood and plastics



Hammer drilling: for concrete and masonry drilling operations.



Hammering only: for light chipping, chiselling and demolition applications.

In this mode the tool can also be used as a lever to free a jammed drill bit.



Bit rotation: non-working position used only to rotate a flat chisel into the desired position.

- To select the operating mode, press the safety lock (5) and rotate the mode selector switch (4) until it points to the symbol of the required mode.
- Release the safety lock and check that the mode selector switch is locked in place.



Do not select the operating mode when the tool is running.

Indexing the chisel position

The chisel can be indexed and locked into 51 different positions.

- Rotate the mode selector switch (4) until it points to the "bit rotation" position.
- Rotate the chisel in the desired position.
- Set the mode selector switch (4) to the "hammering only" position.
- Twist the chisel until it locks in position.

Inserting and removing SDS-plus® accessories (fig. C)

This tool uses SDS-plus® accessories (refer to the inset in fig. B for a cross-section of an SDS-plus® bit shank).

We recommend to use professional accessories only.

- Clean and grease the bit shank.
- Insert the bit shank into the tool holder (6).
- Push the bit down and turn it slightly until it fits into the slots.
- Pull on the bit to check if it is properly locked. The hammering function requires the bit to be able to move axially several centimetres when locked in the tool holder.
- To remove a bit pull back the tool holder locking sleeve (12) and pull out the bit.

Fitting the side handle (fig. D)

The side handle (10) can be fitted to suit both RH- and LH-users.



Always use the tool with the side handle properly assembled.

- Loosen the side handle.
- For RH-users, slide the side handle clamp over the collar behind the tool holder, handle at the left.
- For LH-users, slide the side handle clamp over the collar behind the tool holder, handle at the right.
- Rotate the side handle to the desired position and tighten the handle.

Setting the drilling depth (fig. E)

- Insert the required drill bit as described above.
- Press the depth stop clamp (11) and keep it depressed.
- Fit the depth adjustment rod (9) through the hole in the depth stop clamp.
- Adjust the drilling depth as shown.
- Release the depth stop clamp.

Forward/reverse slider (fig. F1 & F2)

D25102(K)/D25103K/D25104K (fig. F1)

- Push the forward/reverse slider (3) to the RH-side for forward (RH) rotation. See arrows on tool.
- Push the forward/reverse slider (3) to the LH-side for reverse (LH) rotation.

D25203K (fig. F2)

- Push the forward/reverse slider (3) to the LH-side for forward (RH) rotation. See arrows on tool.

- Push the forward/reverse slider (3) to the RH-side for reverse (LH) rotation.



Always wait until the motor has come to a complete standstill before changing the direction of rotation.

D25102(K)/D25103K/D25203K - Fitting the chuck adapter & chuck

- Screw the chuck onto the threaded end of the chuck adapter.
- Insert the connected chuck and adapter in the tool as though it were a standard SDS-plus® bit.
- To remove the chuck, proceed as for removing a standard SDS-plus® bit.



Never use standard chucks in the hammer drilling mode.

D25104K - Replacing the tool holder with the chuck (fig. G)

- Turn the locking collar (8) into the unlocking position and pull the tool holder (6) off.
- Push the chuck (13) onto the spindle and turn the locking collar into the locking position.
- To replace the chuck with the tool holder, first remove the chuck the same way as the tool holder was removed. Then place the tool holder the same way as the chuck was placed.



Never use standard chucks in the hammer drilling mode.

Replacing the dust cover (fig. C)

The dust cover (7) prevents dust ingress into the mechanism. Replace a worn dust cover immediately.

- Pull back the tool holder locking sleeve (12) and pull the dust cover (7) off.
- Fit the new dust cover.
- Release the tool holder locking sleeve.

Instructions for use



- Always observe the safety instructions and applicable regulations.

Be aware of the location of pipework and wiring. Apply only a gentle pressure to the tool (approx. 5 kg). Excessive force does not speed up drilling but decreases tool performance and may shorten tool life.

Do not drill or drive too deep to prevent damage to the dust cover.

Always hold the tool firmly with both hands and ensure a secure stance (fig. H). Always operate the tool with the side handle properly mounted.

Switching on and off (fig. A)

D25102(K)/D25103K/D25104K

- To run the tool, press the variable speed switch (1). The pressure exerted on the variable speed switch determines the tool speed.
- For continuous operation, press and hold down the variable speed switch, press the lock-on button (2) and release the switch.
- To stop the tool, release the switch.
- To stop the tool in continuous operation, press the switch briefly and release it. Always switch off the tool when work is finished and before unplugging.

D25203K

- To run the tool, press the variable speed switch (1). The pressure exerted on the variable speed switch determines the tool speed.
- To stop the tool, release the switch.
- To lock the tool in off position, move the forward/reverse slider (3) to the central position.

Hammer drilling (fig. A)

Drilling with a solid bit

- Set the mode selector switch (4) to the “hammer drilling” position.
- Insert the appropriate drill bit. For best results use high quality carbide-tipped bits.
- Adjust the side handle (9) as required.
- If necessary, set the drilling depth.
- Mark the spot where the hole is to be drilled.
- Place the drill bit on the spot and switch on the tool.
- Always switch off the tool when work is finished and before unplugging.

Drilling with a core bit

- Set the mode selector (3) to the “hammer drilling” position.
- Adjust the side handle (9) as required.
- Insert the appropriate core bit.
- Assemble the centerdrill into the core bit.
- Place the centerdrill on the spot and press the variable speed switch (1). Drill until the core penetrates into the concrete approx. 1 cm.
- Stop drilling and remove the centerdrill. Place the core bit back into the hole and continue drilling.
- When drilling through a structure thicker than the depth of the core bit, break away the round cylinder of concrete or core inside the bit at regular intervals. To avoid unwanted breaking away of concrete around the hole, first drill a hole the diameter of the centerdrill completely through the structure. Then drill the cored hole halfway from each side.
- Always switch off the tool when work is finished and before unplugging.

Rotary drilling (fig. A)

- Set the mode selector switch (4) to the “rotary drilling” position.
- Depending on your tool, follow either of the following instructions:
 - Fit the chuck adapter/chuck assembly (D25102(K)/D25103K/D25203K).
 - Replace the tool holder with the chuck (D25104K).
- Proceed as described for hammer drilling.



Never use standard chucks in the hammer drilling mode.

Screwdriving (fig. A)

- Set the mode selector switch (4) to the “rotary drilling” position.
- Select the direction of rotation.
- Depending on your tool, follow either of the following instructions:
 - Insert the special SDS-plus® screwdriving adaptor for use with hexagonal screwdriver bits (D25102(K)/D25103K/D25203K).
 - Replace the tool holder with the chuck (D25104K).

- Insert the appropriate screwdriver bit.
When driving slotted head screws always use bits with a finder sleeve.
- Gently press the variable speed switch (1) to prevent damage to the screw head. In reverse (LH) rotation the tool speed is automatically reduced for easy screw removal.
- When the screw is flush with the workpiece, release the variable speed switch to prevent the screw head from penetrating into the workpiece.



Lubrication

Your power tool requires no additional lubrication.

Accessories and attachments used must be regularly lubricated around the SDS-plus® fitment.



Cleaning

Keep the ventilation slots clear and regularly clean the housing with a soft cloth.



Unwanted tools and the environment

Take your tool to an authorized DeWALT repair agent where it will be disposed of in an environmentally safe way.

D25103K/D25104K/D25203K - Chipping and chiselling (fig. A)

- Set the mode selector switch (4) to the “hammering only” position.
- Insert the appropriate chisel and rotate it by hand to lock it into one of 51 positions.
- Adjust the side handle (9) as required.
- Switch on the tool and start working.
- Always switch off the tool when work is finished and before unplugging.



- Do not use this tool to mix or pump easily combustible or explosive fluids (benzine, alcohol, etc.).
- Do not mix or stir inflammable liquids labelled accordingly.

Various types of SDS-plus® drill bits and chisels are available as an option.

Consult your dealer for further information on the appropriate accessories.

Maintenance

Your DeWALT power tool has been designed to operate over a long period of time with a minimum of maintenance. Continuous satisfactory operation depends upon proper tool care and regular cleaning.

- This machine is not user-serviceable. Take the tool to an authorised DeWALT repair agent after approximately 40 hours of use. If problems occur before this time contact an authorised DeWALT repair agent.
- The tool will automatically switch off when the carbon brushes are worn.

중량 로터리 해머 드릴

D25102(K)/D25103K/D25104K/D25203K

축하드립니다!

DeWALT사의 전동공구를 선택하신 것을 축하드립니다. DeWALT사는 오랜 경험과 철저한 제품 개발, 혁신 활동을 통해 전동 공구 전문 사용자들에게 신뢰 받는 파트너입니다.

기술 데이터

		D25102(K)	D25103K	D25104K	D25203K
전압	V	220	220	220	220
소비 전력	W	680	680	680	710
무부하 속도	최소 ⁻¹	0 - 1,100	0 - 1,100	0 - 1,100	0 - 1,100
부하 속도	최소 ⁻¹	0 - 800	0 - 800	0 - 800	0 - 800
타격력					
해머 드릴시	J	2.8	2.8	2.8	2.8
치질시	J	-	3.0	3.0	3.1
최대 드릴 범위					
철재/목재/콘크리트	mm	13/30/24	13/30/24	13/30/24	13/30/26
치질 종류		-	51	51	51
코어드릴용량/벽돌	mm	65	65	65	65
틀 홀더		SDS-plus®	SDS-plus®	SDS-plus®	SDS-plus®
칼라 지름	mm	54	54	54	54
중량	kg	2.55	2.6	2.8	2.75

다음은 본 설명서에서 사용되고 있는 기호입니다.



본 설명서의 지침을 지키지 않을 경우 나타날 수 있는 신체 부상, 사망 또는 공구 손상의 위험을 나타냅니다.



감전의 위험을 나타냅니다.



화재의 위험을 나타냅니다.

EC-규격 준수 신고



D25102(K)/D25103K/D25104K/D25203K는

DeWALT사의 모든 전동공구 제품은 98/37/EEC, 89/336/EEC, 73/23/EEC, EN50144, EN55014-2, EN55014-1, EN 61000-3-2 & EN 61000-3-3 규격에 따라 설계되었습니다.

더 많은 정보가 필요하시면 아래의 DeWALT사 주소로 연락 주시거나 본 사용설명서의 뒷면을 참조하여 주십시오.

본 공구의 음압 수준은 EN 50144에 따라 측정된 것이며 86/188/EEC & 98/37/EEC 규격에 따라 제조한 것입니다.

		D25102(K)	D25103K
L_{pA} (음압)	dB(A)*	90.5	90.5
L_{WA} (음향 출력)	dB(A)	99	99

		D25104K	
L_{pA} (음압)	dB(A)*	90.5	
L_{WA} (음향 출력)	dB(A)	99	

*는 공구 작동자의 청각에 대한 음압 수준을 나타냅니다.



사용자의 청력을 보호하기 위하여 적절한 예방 조치를 취하여 주십시오.

EN 50144 에 따른 가중 평균 제공된 가속값은 다음과 같습니다.:

D25102(K)	D25103K	D25104K	D25203K
9.2 m/s ²	9.2 m/s ²	9.2 m/s ²	9.2 m/s ²

기술 및 제품 개발 담당 이사 홀스트 그로스만
Horst Großmann

독일, 이드스타인, D-655510 리카르트 클링거 스트라스, DeWALT 사

안전 지침

전동공구를 사용할 때는 화재나 감전, 부상 위험을 줄이기 위해 각국의 안전 규정을 항상 준수하십시오. 제품을 작동시키기 전에 본 설명서 전체를 주의 깊게 읽으십시오. 또한 본 설명서를 보관하셨다가 필요할 때 참조하십시오.

일반 사항

- 1 작업 공간을 청결하게 유지하십시오. 정리되지 않은 공간이나 작업대에서의 작업은 사고 위험이 있습니다.
- 2 작업 공간 환경을 정비하십시오. 공구가 비를 맞지 않도록 하십시오. 습기가 많거나 젖은 상태에서 공구를 사용하지 마십시오. 작업 공간을 밝게 (250-300 룩스) 유지하십시오. 가연성 액체나 가스 등 화재나 폭발의 위험이 있는 곳에서는 사용하지 마십시오.

- 3 어린이가 접근하지 못하도록 하십시오. 어린이나 낯선 사람, 동물 등이 작업장 근처에 접근하거나, 공구나 메인 케이블을 만지지 못하도록 하십시오.
- 4 개인 보호 장구를 착용하십시오. 기계의 작동 부분에 끼일 수 있는 헐렁한 옷이나 장신구를 착용하지 마십시오. 안전을 위해 모발 보호용 커버를 착용하십시오. 실외 작업 시에는 장갑과 미끄러지지 않는 신발 착용을 권장합니다.
- 5 개인 보호 장비를 착용하십시오. 항상 보호안경을 착용하십시오. 분진이나 부스러기가 발생하는 작업 시에는 안면 마스크나 방진 마스크를 착용하십시오. 뜨거운 부스러기가 발생하는 경우에는 내열 에이프런드 착용하십시오. 항상 귀마개를 착용하십시오.
- 6 감전이 되지 않도록 보호하십시오. 접지된 표면에 신체를 접촉하지 마십시오. (예, 파이프, 난방기, 조리기, 냉장고 등) 극한 조건(예, 습도가 높은 곳이나 금속 부스러기가 발생하는 곳 등)에서 사용할 때 절연 변압기나 (FI) 접지 누전 차단기를 사용하면 보다 안전합니다.
- 7 무리한 자세로 작업하지 마십시오. 올바른 자세를 하고 항상 균형을 유지하십시오.
- 8 항상 주의하십시오. 작업에 집중하고 정상적인 방법으로 작업하십시오. 피로한 상태에서는 절대로 공구를 사용하지 마십시오.
- 9 작업물을 고정하십시오. 클램프나 바이스로 작업물을 고정하십시오. 더 안전할 뿐만 아니라 양손으로 공구를 사용할 수 있습니다.
- 10 먼지 흡입 장비를 연결하십시오. 먼지 흡입 장비와 연결할 수 있는 장치가 있을 경우에는 연결 후 올바르게 사용하십시오.
- 11 조정 키와 렌치를 제거하십시오. 공구를 사용하기 전에 조정 키와 렌치가 공구에서 완전히 제거되었는지 항상 확인하십시오.
- 12 연장 케이블 사용하기 전에 연장 케이블을 점검하고 손상된 경우 교체하십시오. 실외에서 사용하는 경우에는 실외용으로 표시된 제품만 사용하십시오.
- 13 알맞은 공구를 사용하십시오. 설명서에 나와 있는 작업 목적에 맞게 사용하십시오. 소형 공구나 부품으로 중장비가 필요한 작업을 수행하지 마십시오.

작업 목적에 맞는 범위 내에서 사용하시면 더욱 안전하고 향상된 작업을 할 수 있습니다.

경고! 본 설명서에서 권장하지 않는 부품이나 작업 방법을 사용할 경우 부상의 위험이 발생할 수 있습니다.

14 손상된 부품을 확인하십시오.

공구를 사용하기 전에, 공구와 메인 케이블이 손상되지 않았는지 확인하십시오. 조절이 잘되지 않거나 고정되지 않은 부분, 부품 파손, 안전 장치나 스위치의 파손, 기타 공구 작동에 영향을 미칠 수 있는 상태를 확인하십시오. 손상된 부품이나 불량 부품을 사용하지 마십시오. On/Off 스위치가 작동하지 않는 공구를 사용하지 마십시오. 손상 또는 파손된 부분은 공인 수리업자에게 수리를 의뢰하십시오. 절대로 사용자가 직접 수리하지 마십시오.

15 공구의 플러그를 뽑으십시오.

작업을 끝내고 공구를 보관할 경우에는 전원을 끄고 공구가 완전히 소리가 멈추고 조용해질 때까지 기다리십시오. 사용하지 않을 때나 부속품을 교체할 때에는 플러그를 뽑으십시오.

16 갑작스런 동작을 삼가 하십시오.

공구를 운반할 때 손가락을 스위치에 올려놓지 마십시오. 플러그를 꽂기 전에 스위치가 off 위치에 있는지 확인하십시오.

17 코드를 함부로 다루지 마십시오.

코드를 잡고 공구를 이동시키지 마십시오. 코드를 잡아 당겨 콘센트에서 뽑지 마십시오. 열, 기름, 날카로운 칼날 등이 코드에 닿지 않도록 하십시오.

18 사용하지 않는 공구의 보관.

공구를 사용하지 않을 때에는 어린이의 손이 닿지 않는 건조한 장소에 안전하게 보관하십시오.

19 주의해서 공구를 관리하십시오.

공구를 청결하고 완전한 상태로 관리해야 좋은 성능과 안전을 유지할 수 있습니다. 정비와 부속품 교체 지침을 준수하십시오. 핸들과 스위치를 건조하고 청결하게 유지하고 기름이나 윤활유가 묻지 않도록 보존하여 주십시오.

20 수리.

본 공구는 관련 안전규격에 적합하게 제작된 제품입니다. 수리는 반드시 공인 수리업체에 의뢰하십시오. 자격을 갖춘 사람이 정품 부품을 사용하여 수리하여야 하며, 그렇지 않을 경우 사용자에게 심각한 위험을 끼칠 수 있습니다.

제품 내용물

제품에 포함된 내용물은 다음과 같습니다.

- 중량 로터리 해머 드릴 1개
- 사이드 핸들 1개
- 깊이 조절 눈금자 1개
- 키트박스 1개((K)모델에만 있음)
- 무건 척 1개
- 사용 설명서 1권

- 공구, 부품, 부속품이 운반 중 손상되지 않았는지 확인하십시오.
- 공구를 사용하기 전에 사용 설명서를 숙독하고 완전히 이해하십시오.

중량 로터리 해머 드릴D25102(K)/D25103K/ D25104K/ D25203K 은 로터리 드릴, 해머 드릴, 드라이버 작업, 치핑, 치즐, 분쇄, 다이아몬드 코어 드릴(carbide tipped core drill) 전문 작업을 할 수 있습니다.

- 1 가변 스피드 스위치
- 2 잠금 버튼(D25102(K)/D25103K/D25104K)
- 3 전후진 슬라이더
- 4 모드 선택기
- 5 안전 잠금 장치
- 6 툴 홀더
- 7 먼지 덮개
- 8 잠금 칼라(D25104K)
- 9 깊이 조정 눈금자
- 10 사이드 핸들
- 11 깊이 고정 클램프

토크 제한 클러치

드릴 비트가 걸려서 움직이지 않을 경우 사용자에게 전달되는 회전력을 줄여 주기 위해 모든 로터리 해머 드릴에는 토크 제한 클러치가 장착되어 있습니다. 이 장치는 또한 기어나 전기모터의 속도가 떨어지지 않게 해줍니다. 토크 제한 클러치는 제조시에 설정되며, 사용자가 조정할 수 없습니다.

전기 안전

본 제품의 전기모터는 한 가지 전압에서만 사용할 수 있도록 설계되어 있습니다. 공급되는 전원이 제품의 플레이트에 표시된 전압과 일치하는지 항상 확인하십시오.



구입하신 DeWALT사의 제품은 EN 50144 규격에 따라 이중 절연된 것으로 접지선이 필요하지 않습니다.

연장 케이블 사용

연장 케이블이 필요할 경우에는 본 공구의 전기 용량에 맞는 승인된 연장 케이블을 사용하십시오(기술 데이터 참조). 최소 컨덕터 크기는 1.5mm²입니다.

케이블 릴을 사용할 경우에는 항상 케이블을 완전히 풀어서 사용하십시오.

아래의 표를 참조하십시오.

컨덕터 크기(mm²)	케이블 전력(암페어)	케이블 길이(m)						
0.75	6							
1.00	10							
1.50	15							
2.50	20							
4.00	25						0	
			7.5	15	25	30	45	60
전압	암페어	케이블 전력(암페어)						
115	- 02.0	6	6	6	6	6	1	
	2.1 - 3.4	6	6	6	6	6	15	
	3.5 - 5.0	6	6	10	15	20	20	
	5.1 - 7.0	10	10	15	20	20	25	
	7.1 - 12.0	15	15	20	25	25	-	
230	12.1 - 20.0	20	20	25	-	-	-	
	0 - 2.0	6	6	6	6	6	6	
	2.1 - 3.4	6	6	6	6	6	6	
	3.5 - 5.0	6	6	6	6	10	15	
	5.1 - 7.0	10	10	10	10	15	15	
7.1 - 12.0	15	15	15	15	20	20		
12.1 - 20.0	20	20	20	20	25	-		

조립 및 조정



조립이나 조정에 앞서 항상 공구의 플러그를 뽑으십시오.

작업 모드 선택하기 (그림 B1 & B2)

D52102 (K)의 경우(그림 B1)

본 제품은 다음의 작업 모드로 사용할 수 있습니다.



로터리 드릴 모드: 철재, 목재, 플라스틱에 대한 드라이버나 드릴 작업



해머 드릴 모드: 콘크리트나 석재에 대한 드릴 작업

D25103K/D25104K/D25203K의 경우(그림 B2)

본 제품은 다음의 작업 모드로 사용할 수 있습니다.



로터리 드릴 모드: 철재, 목재, 플라스틱에 대한 드라이버나 드릴 작업.



해머 드릴 모드: 콘크리트나 석재에 대한 드릴 작업.



해머링 전용 모드: 치핑, 치즐, 분쇄 작업을 할 때

이 모드에서는 걸려서 움직이지 않는 비트를 제거하는 레버로도 사용될 수 있습니다.



비트 회전 모드: 플랫 치즐을 회전하여 원하는 위치에 고정시킬 때에만 사용되는 모드.

- 작업 모드를 선택하려면 안전 잠금 장치(5)를 누르고 모드 선택 스위치(4)가 작업할 모드의 기호에 올 때까지 돌리십시오.
- 안전 잠금 장치를 해제하고 모드 선택 스위치가 알맞은 자리에 있고 잘 잠겼는지 확인하십시오.



공구를 작동하고 있을 때는 작업 모드를 선택하지 마십시오.

치즐 포지션 표시

치즐은 51가지 다른 위치를 표시하며 각 위치에 고정할 수 있습니다.

- “비트 회전 모드” 를 가리킬 때까지 모드 선택 스위치(4)를 돌립니다.
- 치즐을 원하는 위치로 회전시킵니다.
- 모드 선택 스위치(4)를 “해머링 전용 모드” 위치로 놓습니다.
- 위치에 고정될 때까지 치즐을 비틀어 주십시오.

SDS-plus®부속품의 삽입과 분리(그림C)

본 제품은 SDS-plus®부속품을 사용합니다. (SDS-plus®비트 생크의 단면은 그림 B에 삽입된 그림을 참조하십시오.)

전문 부속품의 사용을 권장합니다.

- 비트 생크를 깨끗이 닦고 윤활유를 칠해 주십시오.
- 비트 생크를 툴 홀더(6)에 삽입하십시오.
- 비트가 슬롯에 꼭 맞을 때까지 아래로 누르고 살짝 돌려주십시오.
- 비트를 위로 당겨 잘 잠겼는지 확인하십시오. 해머링 작업을 하려면 비트가 툴 홀더에 잠긴 상태에서 축 방향으로 몇 센티미터 움직일 수 있어야 합니다.
- 비트를 분리할 때는 툴 홀더 잠금 슬리브(12)를 뒤로 잡아 당긴 후 비트를 꺼냅니다.

사이드 핸들 장착(그림D)

사이드 핸들(10)은 오른손잡이와 왼손잡이 모두에게 적절하게 맞출 수 있습니다.



항상 사이드 핸들이 제대로 장착된 상태에서 공구를 사용하십시오.

- 사이드 핸들을 느슨하게 풀어 주십시오.
- 오른손잡이는 사이드 핸들 클램프를 툴 홀더 뒤의 칼라 위로 밀고, 핸들을 왼쪽에 둡니다.
- 왼손잡이는 사이드 핸들 클램프를 툴 홀더 뒤의 칼라 위로 밀고, 핸들을 오른쪽에 둡니다.
- 사이드 핸들을 원하는 위치까지 회전시키고 핸들을 조이십시오.

드릴 깊이 설정(그림E)

- 앞에서 설명한 방법으로 필요한 드릴 비트를 삽입하십시오.
- 깊이 고정 클램프(11)를 누르고 누른 상태를 계속 유지하십시오.
- 깊이 고정 클램프의 구멍 속으로 깊이 조정 눈금자(9)를 집어 넣으십시오.
- 그림에 설명된 대로 드릴 깊이를 조정합니다.
- 깊이 고정 클램프를 놓으십시오.

전후진 슬라이더(그림 F1과 F2)

D25102(K)/D25103K/D25104K의 경우 (그림 F1)

- 정방향 회전(시계반대방향) 시에는 전후진 슬라이더(3)를 오른쪽 방향으로 밀어주십시오. 공구에 표시된 화살표를 참조하십시오.
- 역방향 회전(시계반대방향) 시에는 전후진 슬라이더(3)를 왼쪽 방향으로 밀어주십시오.

D25203K의 경우 (그림F2)

- 정방향 회전(시계반대방향) 시에는 전후진 슬라이더(3)를 왼쪽 방향으로 밀어주십시오. 공구에 표시된 화살표를 참조하십시오.

- 역방향 회전(시계반대방향) 시에는 전후진 슬라이더(3)를 오른쪽 방향으로 밀어주십시오.



회전 방향을 전환하려면 반드시 모터가 완전히 멈출 때까지 기다리십시오.

D25102(K)/D25103K/D25203K의 경우- 척 어댑터와 척을 맞추기

- 척을 척 어댑터의 끝 부분에 돌려서 고정하십시오.
- 연결한 척과 어댑터를 표준 SDS-plus® 비트처럼 공구에 삽입하십시오.
- 척은 표준 SDS-plus® 비트를 분리하는 것과 같은 과정으로 분리하십시오.



해머 드릴 모드에서는 절대로 표준 척을 사용하지 마십시오.

D25104K의 경우- 툴 홀더를 척과 교체하기(그림G)

- 잠금 칼라(8)를 풀림 위치로 돌리고 툴 홀더를 당겨서 분리하십시오.
- 척(13)을 스핀들에 밀어 넣고 잠금 칼라를 잠금 위치로 돌리십시오.
- 척을 툴 홀더와 교체할 경우에는 먼저 툴 홀더를 분리한 것과 동일한 방법으로 척을 분리하십시오. 그리고 척을 고정시킨 것과 동일한 방법으로 툴 홀더를 고정시키십시오.



해머 드릴 모드에서는 절대로 표준 척을 사용하지 마십시오.

먼지 덮개 교체하기 (그림C)

먼지 덮개(7)는 먼지가 기계로 들어오지 않게 막아줍니다. 낡은 먼지 덮개는 즉시 교체하여 주십시오.

- 툴 홀더 잠금 슬리브(12)를 당기고 먼지 덮개를 당겨서 빼십시오.
- 새 먼지 덮개를 맞추어 넣으십시오.
- 당겼던 툴 홀더 잠금 슬리브를 놓아주십시오.

사용 지침



- 항상 안전 지침과 관련 법규를 준수하여 주십시오.

작업 시에는 각종 도관과 전선의 위치에 유의하십시오.

공구에 적당한 힘을 가하십시오(약 5kg). 힘이 지나치면 드릴 속도가 빨라지지 않을 뿐 아니라, 공구의 성능이 저하되고 수명이 짧아질 수도 있습니다. 먼저 덮개에 손상을 주지 않도록 드릴을 너무 깊이 박지 마십시오.

항상 양손으로 단단히 공구를 잡고 안정된 자세를 취하십시오(그림H). 항상 사이드 핸들을 정확한 위치에 놓고 공구를 작동하십시오.

전원 켜고 끄기(그림A)

D25102(K)/D25103K/D25104K의 경우

- 공구를 작동시키려면 가변 스피드 스위치 (1)를 누르십시오. 가변 스피드 스위치를 깊이 누를수록 회전속도가 빨라집니다.
- 공구를 지속 작동시키려면 스위치를 누른 상태에서 잠금 버튼(2)을 누르고 스위치를 놓으십시오.
- 공구를 멈추려면 스위치를 놓으십시오.
- 지속 작동 중인 공구를 멈추려면 스위치를 짧게 눌렀다가 놓으십시오. 작업이 끝나면 플러그를 빼기 전에 먼저 전원 스위치를 꺼주십시오.

D25203K의 경우

- 공구를 작동시키려면 가변 스피드 스위치(1)를 누르십시오. 가변 스피드 스위치를 깊이 누를수록 회전 속도가 빨라집니다.
- 공구를 멈추려면 스위치를 놓으십시오.
- 공구를 멈춤 상태로 고정시키려면 전후진 슬라이더를 중앙 위치로 옮기십시오.

해머드릴 작업(그림A)

솔리드 비트로 드릴 작업 하기

- 모드 선택 스위치(4)를 “해머 드릴” 위치에 설정하십시오.
- 사용할 드릴 비트를 삽입하십시오. 최상의 작업 결과를 얻으려면 고품질 다이아몬드 비트를 사용하십시오.
- 사이드 핸들(9)을 필요한 위치로 조정하십시오.
- 필요한 경우 드릴 깊이를 설정하십시오.
- 드릴로 구멍을 뚫을 위치에 점으로 표시하십시오.
- 드릴 비트를 표시된 점 위에 대고 공구의 전원을 켜주십시오.
- 작업이 끝나면 플러그를 빼기 전에 전원 스위치를 꺼주십시오.

코어 비트로 드릴 작업 하기

- 모드 선택 스위치(4)를 “해머 드릴” 위치에 설정하십시오.
- 사이드 핸들(9)을 필요한 위치로 조정하십시오.
- 사용할 코어 비트를 삽입하십시오.
- 센터드릴을 코어 비트에 조립하십시오.
- 센터드릴을 표시된 점 위에 대고 가변 스피드 스위치(1)를 누르십시오. 콘크리트에 뚫린 구멍이 약 1cm가 될 때까지 드릴 작업을 하십시오.
- 드릴을 멈추고 센터드릴을 빼주십시오. 다시 코어 비트를 구멍에 넣고 계속하여 드릴 작업을 하십시오.
- 코어 비트의 깊이보다 두꺼운 구조물에 구멍을 뚫을 때는 비트 속으로 들어간 콘크리트 조각들을 일정한 간격으로 제거해 주어야 합니다. 구멍 주위의 콘크리트를 필요 이상으로 부수지 않기 위해서는 먼저 구조물에 센터드릴 지름만큼의 구멍을 완전히 뚫으십시오. 그 다음에는 구멍이 뚫린 구조물의 양편에서 절반씩 뚫어 주십시오.
- 작업이 끝나면 플러그를 빼기 전에 전원 스위치를 꺼주십시오.

로터리 드릴 작업(그림A)

- 모드 선택 스위치(4)를 “로터리 드릴” 위치에 설정하십시오.
- 소지하신 공구 사양에 따라 다음 중 해당하는 지시 사항을 따르십시오.
 - D25102(K)/D25103K/D25203K의 경우-척 어댑터/척 어셈블리를 맞추십시오.
 - D25104K의 경우-툴 홀더를 척과 교체하십시오.
- 해머 드릴 작업과 같은 방법으로 사용하십시오.



해머 드릴 모드에서 표준 척을 절대 사용하지 마십시오.

스크류드라이버 작업하기 (그림A)

- 모드 선택 스위치(4)를 “로터리 드릴” 위치에 설정하십시오.
- 회전의 방향을 선택하십시오.
- 사용 중인 공구에 따라 다음 중 해당하는 지시 사항을 따르십시오.
 - D25102(K)/D25103K/D25203K의 경우-육각형 스크류드라이버 비트에 사용하는 특수 SDS-plus® 스크류드라이빙 어댑터를 삽입하십시오.
 - D25104K의 경우-툴 홀더를 척과 교체하십시오.

- 알맞은 스크류드라이버 비트를 삽입하십시오. 일자형 나사를 사용할 때는 항상 파인더 슬리브가 있는 비트를 사용하십시오.
- 나사 헤드가 손상되지 않도록 가변 스피드 스위치(1)를 가볍게 눌러주십시오. 역방향 회전(시계 반대방향)의 경우에는 회전 속도가 자동으로 줄어들어 나사가 쉽게 제거됩니다.
- 나사가 작업물 표면 높이까지 들어가면 나사 헤드가 속으로 파고 들어가지 않도록 가변 스피드 스위치를 놓아 주십시오.



윤활

본 전동 공구는 추가적인 윤활 처리를 하지 않아도 됩니다.

부품과 부착품은 정기적으로 SDS-plus® 장치에서 윤활 처리하여야 합니다.



세척

방출 슬롯은 청결하게 유지하고 하우징은 정기적으로 부드러운 천으로 닦아 주십시오.



불필요한 공구와 환경

공구를 공인 수선업자에게 가져오시면 환경 친화적인 방법으로 폐기하여 드립니다.

D25103K/D25104K/D25203K의 경우-치핑과 치즐 하기(그림A)

- 모드 선택 스위치(4)를 “해머 전용” 위치로 설정하십시오.
- 적당한 치즐을 삽입하고 손으로 돌려 51가지 위치 중 하나에 고정시키십시오.
- 사이드 핸들(9)을 필요한 위치로 조정하십시오.
- 공구의 전원을 켜고 작동시키십시오.
- 작업이 끝나면 플러그를 빼기 전에 전원 스위치를 꺼주십시오.



- 본 공구를 가연성, 폭발성 액체(벤진, 알코올 등)를 섞거나 퍼낼 때 사용하지 마십시오.
- 인화성 액체를 섞거나 젖는데 사용하지 마십시오.

다양한 타입의 SDS-plus® 드릴 비트와 치즐을 옵션 상품으로 제공합니다.

여러 부속품에 대한 추가 정보는 판매처와 상담하여 주십시오.

정비

DEWALT사의 전동 공구는 최소한의 정비로 오랜 시간 동안 사용하도록 설계되었습니다. 세심한 관리와 청결 유지로 오랫동안 만족스럽게 사용하실 수 있습니다.

- 본 공구는 사용자가 수리할 수 있는 제품이 아닙니다. 대략 40시간을 사용한 후에는 공인 수리업자에게 가져오십시오. 만약 그 이전에 문제가 발생하였을 경우에는 공인 수리업자에게 연락하여 주십시오.
- 본 공구는 카본 브러쉬가 닳게 되면 자동으로 전원이 꺼집니다.

D25102(K)/D25103K/D25104K/D25203K型 重型旋转式冲击式钻机

祝贺!

您已选择了得伟工具。凭借多年的经验和产品开发及创新方面的不断努力，得伟已经成为专业电动工具用户的最可靠伙伴之一。

技术参数

		D25102(K)	D25103K	D25104K	D25203K
电压	伏	220	220	220	220
输入功率	瓦	680	680	680	710
空载速度	转/分	0 - 1,100	0 - 1,100	0 - 1,100	0 - 1,100
负载速度	转/分	0 - 800	0 - 800	0 - 800	0 - 800
冲击能量					
锤钻	焦耳	2.8	2.8	2.8	2.8
錾	焦耳	-	3.0	3.0	3.1
钢材 / 木材 / 混凝土					
最大钻孔范围	毫米	13/30/24	13/30/24	13/30/24	13/30/26
凿刀位置		-	51	51	51
软砖中的空心钻孔能力	毫米	65	65	65	65
夹头槽口		SDS-plus®	SDS-plus®	SDS-plus®	SDS-plus®
轴环直径	毫米	54	54	54	54
重量	千克	2.55	2.6	2.8	2.75

在此手册中，将使用下列标志：



表示违反此手册中的相关规定将可能造成的人身伤害、生命危险和设备损坏。



表明有触电危险。



火灾。

符合欧洲委员会标准声明



D25102(K)/D25103K/D25104K/D25203K
得伟声明本电动工具的设计符合以下标准：
98/37/EEC、89/336/EEC、73/23/EEC、
EN50144、EN55014-2、EN55014-1、EN61000-3-
2以及EN61000-3-3

请通过下面的地址联系得伟，或参考此手册背面资料获取更加详细的信息。

按照EN 50144标准测定的符合86/188/EEC标准及98/37/EEC标准的声压：

		D25102(K)	D25103K
L_{pA} (声压)	分贝*	90.5	90.5
L_{WA} (声功率)	分贝	99	99

		D25104K
L_{pA} (声压)	分贝*	90.5
L_{WA} (声功率)	分贝	99

*操作员耳朵附近值。



请采取适当的措施保护听觉。

符合EN 50144标准的加速度加权均方根:

D25102(K)	D25103K	D25104K	D25203K
9.2 m/s ²	9.2 m/s ²	9.2 m/s ²	9.2 m/s ²

工程和产品开发主管
Horst Großmann

DeWALT, Richard-Klinger-Straße 11
D-65510, Idstein, 德国

安全指引

当使用电动工具时，请务必遵守贵国适用的有关安全规则，以避免火灾、触电和人身伤害的危险。请在正式使用工具前仔细阅读本手册的全部内容。请妥善保管本手册，以备将来参考使用。

一般指引

1 保持工作区洁净、整洁

工作区或操作台太过杂乱，可能引发事故。

2 考虑工作区域环境

请勿将工具暴露在雨中或在潮湿的环境下使用工具作业；工作区应照明良好(250-300 Lux)。禁止在具有火灾或爆炸隐患的场所，如储藏可燃气体和液体的场所使用工具作业。

3 让儿童远离工作区

请勿让儿童、来访人员或动物靠近工作区，禁止他们触摸工具或电源线。

4 合理着装

请勿穿着宽松服装或佩戴首饰，因为宽松服装或首饰可能被卷入作业工具的转动部件。留长发的员工应佩戴保护性发套，防止长发披散下来。进行户外作业时，应配备合适的手套和防滑鞋。

5 个人防护

应切记佩戴安全镜，并在作业产生灰尘、飞屑时使用面罩或防尘面罩。如尘屑温度很高，则作业人员应穿着耐热围裙。请务必佩戴护耳。

6 防止触电

禁止身体的任何部分同接地的表面(例如：管道、暖气片、厨具和冰箱等)接触。当在极端条件(例如：高湿度条件下或产生金属屑时)下使用工具作业时，可以通过插入隔离变压器或(F1) 漏电断路掣提高电气安全系数。

7 保持身体平衡

应注意维持平衡，保持立足点稳固。

8 保持警觉

操作人员应专心作业，使用常识进行判断。疲倦时禁止使用该工具。

9 夹紧工件

使用夹钳、虎钳固定工件，以提高安全性并可使操作人员的双手都能同时操作工具作业。

10 连接吸尘装置

如果具备连接吸尘和集尘设施的装置，应确认这些装置都已连好并能进行正确的使用。

11 移除调整键和扳手

使用工具前，请确保调整键和扳手已经移除。

12 延长线缆

在正式使用工具前，应检查延长线缆，如发现线缆已经破损，应立即更换。进行户外作业时，应严格使用户外作业专用的印有相应标志的线缆。

13 使用合适的工具

对于工具的预定用途，本手册中已有相关描述。请勿强行使用轻型工具或配件进行重型作业。只有在预定的情形下作业，该工具的工作性能和安全性才能得到最大保证。禁止超负荷作业。

警告！如将非本操作手册所推荐的零配件与本工具连用，或将工具用于完成非本操作手册所推荐的操作，则可能造成人身伤害。

14 检查受损部件

使用前应妥善检查工具和电源线是否受损。检查转动部件是否卡住、有无对准，部件是否破损，防护装置和开关是否有损坏以及其它任何可能影响作业的情况。确保该工具能正常工作并实现其额定性能。如果工具的任何部分受损或出现故障，或工具的开关失灵，禁止使用该工具作业。应将工具送往得伟授权的维修点进行维修，更换受损和故障部件。切勿尝试自行维修工具。

15 拔出工具电源

在关掉电源，等到工具完全停止运转后操作人员方可离开。在不使用工具时，更换工具部件、配件和附件之前及对其进行维护之前，应拔出工具电源。

16 避免意外开启工具

携带工具时，请勿将手指置于开关上。插入电源前，请确定工具开关已经关好。

17 请勿滥用电源线

切勿用电源线提拉工具，拔出电源时，禁止拉扯电源线。使电源线远离热、油脂和锋利物品。

18 保管闲置工具

工具不使用时，应放在儿童不易触到的干燥地方锁存起来。

19 妥善维护工具

保持工具的在干净和良好状态，可提高其工作性能和安全性能。应严格按照本手册中的相关规定进行工具维护和配件更换，并保持所有的手柄和开关干燥、清洁，避免触及油脂类物质。

20 维修

本工具符合相应的安全标准。一旦出现故障，请将工具送往得伟授权的维修点进行维修。维修时须用原始备件，由专业人员进行。否则，可能对使用者造成人身危险。

套装内容

该产品套装包括：

- 重型旋转式冲击式电锤一台
- 侧面把手一个
- 深度调节杆一支
- 工具箱一个(仅适用于K型)
- 无锁夹头一个(D25104K型)
- 使用手册一本

- 请仔细查看工具、部件和配件是否在运输途中有所损伤。
- 使用工具前，请耐心阅读、悉心理解本手册。

您的得伟重型旋转式冲击式钻机D25102(K)/D25103K/D25104K/D25203K的设计目的是，用于专业旋钻和锤钻，也可用于拧螺丝和轻型修琢、凿和拆毁用途，还可用于硬合金钻头空心钻探。

- 1 可变速开关
- 2 锁定按钮 (D25102(K)/D25103K/D25104K)
- 3 正转/反转
- 4 模式选择器
- 5 安全锁扣
- 6 夹头槽口
- 7 防尘罩
- 8 锁圈(D25104K)
- 9 深度调节杆
- 10 侧面手柄
- 11 深度杆固定夹

转矩限制离合器

所有旋转式冲击式钻机都配有一个转矩限制离合器，以降低钻头卡滞时传递给操作人员的最大转矩反作用力。这一特点也可防止齿轮装置和电动机停止转动。转矩限制离合器已由厂家设定，不可再作调整。

电气安全

该电机只有一种工作电压，请确认电源电压同标牌上标明的电压一致。



该工具根据EN50144标准设施双重绝缘，因此不需要地线。

使用延长线缆

如果需要使用延长线缆，请使用符合该工具电源输入规格(参见技术资料)的经核准的延长线缆。导线最小横截面积为1.5 平方毫米。使用线缆卷筒时，应将线缆完全松开。

请参考以下表格。

线缆横截面积(平方毫米)		线缆额定电流(安培)						
0.75		6						
1.00		10						
1.50		15						
2.50		20						
4.00		25						
		线缆长度(米)						
		7.5	15	25	30	45	60	
电压	安培	线缆额定电流(安培)						
115	- 02.0	6	6	6	6	6	6	1
	2.1 - 3.4	6	6	6	6	6	15	15
	3.5 - 5.0	6	6	10	15	20	20	20
	5.1 - 7.0	10	10	15	20	20	25	25
	7.1 - 12.0	15	15	20	25	25	-	-
	12.1 - 20.0	20	20	25	-	-	-	-
230	0 - 2.0	6	6	6	6	6	6	6
	2.1 - 3.4	6	6	6	6	6	6	6
	3.5 - 5.0	6	6	6	6	10	15	15
	5.1 - 7.0	10	10	10	10	15	15	15
	7.1 - 12.0	15	15	15	15	20	20	20
	12.1 - 20.0	20	20	20	20	25	-	-

安装及调试



安装调试前请拔掉工具的电源线。

设定工作模式(图B1及B2)

D25102(K) (图B1)

本工具可以用于两种工作模式。



旋钻模式：用于拧螺丝以及钢材、木材和塑料钻孔。



锤钻模式：用于混凝土和砖石钻孔操作。

D25103K/D25104K/D25203K(图B2)

本工具可以用于工作模式：



旋钻模式：用于拧螺丝以及钢材、木材和塑料钻孔。



锤钻模式：用于混凝土和砖石钻孔操作。



纯锤击模式：用于轻型修琢、凿以及拆毁等用途。

此种模式下，本工具还可用作杠杆，以撬起滞塞的钻头。



钻头旋转模式：这是一种非工作模式，仅用于转动平凿，使之转动至所需的位置。

- 要选择操作模式，按下安全锁(5)并转动模式选择开关(4)，直到使之指向所要求模式的符号。
- 松开安全锁并检查确保模式选择开关锁定在对应位置上。



不要在工具运转时选择操作模式。

确定凿刀位置

凿刀可以放置并锁定在51个不同的位置上。

- 转动模式选择开关(4)直至它指向“钻头旋转”的位置。
- 转动凿刀至想要的位置。
- 将模式选择开关(4)转到“纯锤击”的位置上。
- 扭转凿刀直至它锁定在相应的位置上。

插入和去除SDS-plus®附件(图C)

本工具使用SDS-plus®附件(请参阅图B中的小图，那里提供了SDS-plus®钎柄的截面图)。

我们推荐您仅使用专业配件。

- 清洁钎柄并给其上润滑油。
- 将钎柄插入到槽口中(6)。
- 将钻头往下推，轻轻转动它，直至其进入开槽中。
- 拉扯钻头，检查其是否锁定恰当。
撞击功能要求钻头锁定在刀夹中能轴向移动几个厘米。
- 要去除钻头，将夹头(12)回按，并拉出钻头。

安装侧面手柄(图D)

适当安装侧面手柄(10)，可以使之既适应于右撇子，又适应于左撇子。



使用钻机时，切记将把手适当地装配好。

- 拧松侧面手柄。
- 对于右撇子用户，将侧面手柄夹钳绕过夹头后面的轴环，使手柄位于左侧。
- 对于左撇子用户，将侧面手柄夹钳绕过夹头后面的轴环，使手柄位于右侧。
- 将侧面手柄旋转到想要的位置，并将其拧紧。

设定钻孔深度(图E)

- 如上插入所要求的钻头。
- 按下深度杆固定夹钳(11)并保持按下位置。
- 将深度调节杆(9)穿过深度杆固定夹钳中的孔。
- 如图所示调节钻孔深度。
- 松开深度杆固定夹钳。

正向/反向滑块(图F1及F2)

D25102(K)/D25103K/D25104K(图F1)

- 将正向/反向滑块(3)推到右边以便进行正向(右手)旋转。请参考工具上的箭头。
- 将正向/反向滑块(3)推到左边以便进行反向(左手)旋转。

D25203K(图F2)

- 将正向/反向滑块(3)推到左边以便进行正向(右手)旋转。请参考工具上的箭头。

- 将正向/反向滑块(3)推到右边以便进行反向(左手)旋转。



切记等到发动机完全停止才能改变旋转方向。

D25102(K)/D25103K/D25203K

安装夹头连接器及夹头

- 将夹头旋进夹头连接器带螺纹的一端。
- 将连接好的夹头和连接器作为一个标准的SDS-plus® 钻头插入工具中。
- 需要拆除夹头时，与拆除标准SDS-plus® 钻头的操作相同。



千万不要在锤钻模式下使用标准夹头。

D25104K-用夹头替代夹头(图G)

- 将锁圈(8)转到开锁位置，并将刀夹槽(6)拉出。
- 将夹头(13)推到轴上，并将锁圈转到锁定位置。
- 要将刀夹替代夹头，首先以去除刀夹的方式去除夹头，然后以放置夹头的方式放置刀夹。



千万不要在锤钻模式下使用标准夹头。

更换防尘罩(图C)

防尘罩(7)防止灰尘进入机械内部。防尘罩破损应立即更换。

- 将刀夹锁定套(12)拉回并拉出防尘罩(7)。
- 装上新的防尘罩。
- 释放刀夹锁定套。

使用说明



- 请务必遵守安全说明和相关适用规则。

留意管道系统和布线的位置。

给工具施加轻度的压力(约5千克)。过度用力并不能加快钻孔速度，反而会降低工具的工作表现，还可能缩短工具的使用寿命。

不要钻得或推得太深，以免损坏防尘罩。

用双手紧握工具，保证安全的站姿(图H)。侧面手柄恰当固定后再操作工作。

开关工具电源(图A)

D25102(K)/D25103K/D25104K

- 要启动工具，按下可变速开关(1)。施加给可变速开关的压力大小，决定工具运行速度的快慢。
- 要持续操作，按住可变速开关，按下锁定按钮(2)并松开开关。
- 要停止工具，松开开关。
- 要让连续工作的工具停止运行，快速按下开关并释放之。切记在工作完成时和拔下插头前关闭工具。

D25203K

- 要启动工具，按下可变速开关(1)。施加给可变速开关的压力大小，决定工具运行速度的快慢。
- 要停止工具，松开开关。
- 要在将工具锁定在关闭状态，将正向/反向滑块(3)移到中间位置。

锤钻(图A)

用坚固钻头进行钻孔

- 将模式选择开关(4)设置到“锤钻”的位置上。
- 插入合适的钻头。为达到最佳钻孔效果，请使用高质量的顶部为硬质合金的钻头。
- 调整侧面手柄(9)到相应的位置上。
- 如有必要，设置钻孔深度。
- 标记要钻孔的位置。
- 将钻头放置在要钻孔的位置上，启动工具。
- 切记工作完成后，在拔下插头前，一定要关闭工具。

用取芯钻头进行钻孔

- 将模式选择开关(3)设置到“锤钻”的位置上。
- 调整侧面手柄(9)到相应的位置上。
- 插入合适的取芯钻头。
- 将中心孔钻装配到取芯钻头里面。
- 将中心孔钻放置在要钻孔的位置上，按下可变速开关(1)，启动钻机进行钻孔，直到孔钻钻入混凝土中大约一厘米深。
- 停止钻孔，取出中心孔钻。将取芯钻头放回孔中继续钻孔。
- 当要对一个厚度超过中心孔钻深度的结构进行钻孔时，需定期剥离钻头周围的混凝土或清理钻头内芯。为避免在钻孔周围作不必要的混凝土剥离，可以先对要钻孔的结构钻透一个直径为中心孔钻的小孔，然后再在该结构的两侧各钻入该结构厚度的一半深度。
- 切记工作完成后，在拔下插头前，一定要关闭工具。

旋钻(图A)

- 将模式选择开关(4)设置到“旋钻”的位置上。
- 根据你的工具，遵守下列指引之一：
 - 安装夹盘连接器/组件 (D25102(K)/D25103K/D25203K)。
 - 用夹盘替换刀架(D25104K)。
- 如锤钻中所描述的方式一般进行钻孔。



在锤钻模式中，切记不要使用标准夹盘。

拧螺丝(图A)

- 将模式选择器开关(4)设定到“旋钻”位置。
- 选择旋转方向。
- 根据你的工具，遵守下列指引之一：
 - 插入专用的SDS-plus® 螺杆驱动连接器与六角螺丝起子头一起使用(D25102(K)/D25103K/D25203K)。
 - 用夹盘替换刀夹(D25104K)。

- 插入合适的螺丝起子头。
在使用开槽头螺丝钉，须使用带轴套的钻头。
- 轻轻按下可变速开关(1)以防损坏螺钉头。当反向(左手)旋转时，工具速度自动减慢，以便更简单地取出螺钉。
- 当螺丝钉与工件齐平时，松开可变速开关以防螺钉头刺入工件。



润滑

您购买的电动工具无须额外的润滑。

但是，对所使用的附件和配件必须定期在SDS-plus® 装配处周围进行润滑。



清洁

请保持通风口的干净并经常用软抹布清洁工具外壳。



废弃工具与环境

将您废弃的工具拿到授权的得伟维修点，他们会以对环境安全的方式处置您的工具。

D25103K/D25104K/D25203K--修琢与整(图A)

- 将模式选择开关(4)设置到“纯捶击”的位置上。
- 插入合适的凿刀，用手旋转之使之锁定在51个位置中的一个上。
- 调整侧面手柄(9)到相应的位置上。
- 启动工具开始工作。
- 切记工作完成后，在拔下插头前，一定要关闭工具。



- 不要将本工具用于搅拌或抽吸易燃易爆液体(如：汽油、酒精等)。
- 不要混合或搅拌标示为可燃的液体。

我们还提供各种类型的SDS-plus® 钻头和凿刀可供选择。

请联系您的经销商，征询有关适当配件的进一步信息。

维护

您购买的得伟电动工具经过精心设计，具有寿命长、维修简易的特点。持续理想的运作性能依赖于妥善保养和经常清洁。

- 本机器不可由用户进行维护。使用大约40小时以后，您需要将工具交给授权的得伟维修点进行维护。如果在此之前出现问题，请联络授权的得伟维修点。
- 碳刷磨损时，工具会自动关闭。

D25102(K)/D25103K/D25104K/D25203K型 重型旋轉式衝擊式鑽機

祝賀！

您已選擇了得偉工具。憑借多年的經驗和產品開發及創新方面的不斷努力，得偉已經成為專業電動工具用戶的最可靠伙伴之一。

技術參數

		D25102(K)	D25103K	D25104K	D25203K
電壓	伏	220	220	220	220
輸入功率	瓦	680	680	680	710
空載速度	轉/分	0 - 1,100	0 - 1,100	0 - 1,100	0 - 1,100
負載速度	轉/分	0 - 800	0 - 800	0 - 800	0 - 800
衝擊能量					
錘鑽	焦耳	2.8	2.8	2.8	2.8
鑿	焦耳	-	3.0	3.0	3.1
鋼材 / 木材 / 混凝土					
最大鑽孔範圍	毫米	13/30/24	13/30/24	13/30/24	13/30/26
鑿刀位置		-	51	51	51
軟磚中的空心鑽孔能力	毫米	65	65	65	65
夾頭槽口		SDS-plus®	SDS-plus®	SDS-plus®	SDS-plus®
軸環直徑	毫米	54	54	54	54
重量	千克	2.55	2.6	2.8	2.75

在此手冊中，將使用下列標志：



表示違反此手冊中的相關規定將可能造成的人身傷害、生命危險和設備損壞。



表明有觸電危險。



火災。

符合歐洲委員會標準聲明



D25102(K)/D25103K/D25104K/D25203K
得偉聲明本電動工具的設計符合以下標準：
98/37/EEC、89/336/EEC、73/23/EEC、
EN50144、EN55014-2、EN55014-1、EN61000-3-
2以及EN61000-3-3

請通過下面的地址聯系得偉，或參考此手冊背面資料獲取更加詳細的信息。

按照EN 50144標準測定的符合86/188/EEC標準及98/37/EEC標準的聲壓：

		D25102(K)	D25103K
L_{pA} (聲壓)	分貝*	90.5	90.5
L_{pWA} (聲功率)	分貝	99	99

		D25104K
L_{pA} (聲壓)	分貝*	90.5
L_{pWA} (聲功率)	分貝	99

*操作員耳朵附近值。



請採取適當的措施保護聽覺。

符合EN 50144標準的加速度加權均方根:

D25102(K)	D25103K	D25104K	D25203K
9.2 m/s ²	9.2 m/s ²	9.2 m/s ²	9.2 m/s ²

工程和產品開發主管
Horst Großmann

DeWALT, Richard-Klinger-Straße 11
D-65510, Idstein, 德國

安全指引

當使用電動工具時，請務必遵守貴國適用的有關安全規則，以避免火災、觸電和人身傷害的危險。
請在正式使用工具前仔細閱讀本手冊的全部內容。
請妥善保管本手冊，以備將來參考使用。

一般指引

1 保持工作區潔淨、整潔

工作區或操作臺太過雜亂，可能引發事故。

2 考慮工作區域環境

請勿將工具暴露在雨中或在潮濕的環境下使用工具作業；工作區應照明良好(250-300 Lux)。禁止在具有火災或爆炸隱患的場所，如儲藏可燃氣體和液體的場所使用工具作業。

3 讓兒童遠離工作區

請勿讓兒童、來訪人員或動物靠近工作區，禁止他們觸摸工具或電源綫。

4 合理着裝

請勿穿着寬松服裝或佩戴首飾，因為寬松服裝或首飾可能被卷入作業工具的轉動部件。留長發的員工應佩戴保護性發套，防止長發披散下來。進行戶外作業時，應配備合適的手套和防滑鞋。

5 個人保護

應切記佩戴安全鏡，並在作業產生灰塵、飛屑時使用面罩或防塵面罩。如塵屑溫度很高，則作業人員應穿着耐熱圍裙。請務必佩戴護耳。

6 防止觸電

禁止身體的任何部分同接地的表面(例如：管道、暖氣片、廚具和冰箱等)接觸。當在極端條件(例如：高濕度條件下或產生金屬屑時)下使用工具作業時，可以通過插入隔離變壓器或(F1)漏電斷路掣提高電氣安全系數。

7 保持身體平衡

應注意維持平衡，保持立足點穩固。

8 保持警覺

操作人員應專心作業，使用常識進行判斷。疲倦時禁止使用該工具。

9 夾緊加工件

使用夾鉗、虎鉗固定加工件，以提高安全性并可使操作人員的雙手都能同時操作工具作業。

10 連接吸塵裝置

如果具備連接吸塵和集塵設施的裝置，應確認這些裝置都已連好并能進行正確的使用。

11 移除調整鍵和扳手

使用工具前，請確保調整鍵和扳手已經移除。

12 延長纜纜

在正式使用工具前，應檢查延長纜纜，如發現纜纜已經破損，應立即更換。進行戶外作業時，應嚴格使用戶外作業專用的印有相應標志的纜纜。

13 使用合適的工具

對於工具的預定用途，本手冊中已有相關描述。請勿强行使用輕型工具或配件進行重型作業。只有在預定的情形下作業，該工具的工作性能和安全性才能得到最大保證。禁止超負荷作業。

警告！如將非本操作手冊所推薦的零配件與本工具連用，或將工具用于完成非本操作手冊所推薦的操作，則可能造成人身傷害。

14 檢查受損部件

使用前應妥善檢查工具和電源線是否受損。檢查轉動部件是否卡住、有無對准，部件是否破損，防護裝置和開關是否有損壞以及其它任何可能影響作業的情況。確保該工具能正常工作并實現其額定性能。如果工具的任何部分受損或出現故障，或工具的開關失靈，禁止使用該工具作業。應將工具送往得偉授權的維修點進行維修，更換受損和故障部件。切勿嘗試自行維修工具。

15 拔出工具電源

在關掉電源，等到工具完全停止運轉后操作人員方可離開。在不使用工具時，更換工具部件、配件和附件之前及對其進行維護之前，應拔出工具電源。

16 避免意外開啓工具

攜帶工具時，請勿將手指置于開關上。插入電源前，請確定工具開關已經關好。

17 請勿濫用電源線

切勿用電源線提拉工具，拔出電源時，禁止拉扯電源線。使電源線遠離熱、油脂和鋒利物品。

18 保管閒置工具

工具不使用時，應放在兒童不易觸到的干燥地方鎖存起來。

19 妥善維護工具

保持工具的在干净和良好狀態，可提高其工作性能和安全性能。應嚴格按照本手冊中的相關規定進行工具維護和配件更換，并保持所有的手柄和開關干燥、清潔，避免觸及油脂類物質。

20 維修

本工具符合相應的安全標準。一旦出現故障，請將工具送往得偉授權的維修點進行維修。維修時須用原始備件，由專業人員進行。否則，可能對使用者造成人身危險。

套裝內容

該產品套裝包括：

- 重型旋轉式衝擊式電錘一臺
- 側面把手一個
- 深度調節杆一支
- 工具箱一個(僅適用於K型)
- 無鎖夾頭一個(D25104K型)
- 使用手冊一本

- 請仔細查看工具、部件和配件是否在運輸途中有所損傷。
- 使用工具前，請耐心閱讀、悉心理解本手冊。

您的得偉重型旋轉式衝擊式鑽機D25102(K)/ D25103K/ D25104K/D25203K的設計目的是，用于專業旋鑽和錘鑽，也可用于擰螺絲和輕型修琢、鑿和拆毀用途，還可用于硬合金頭空心鑽探。

- 1 可變速開關
- 2 鎖定按鈕 (D25102(K)/D25103K/D25104K)
- 3 正轉/反轉
- 4 模式選擇器
- 5 安全鎖扣
- 6 夾頭槽口
- 7 防塵罩
- 8 鎖圈(D25104K)
- 9 深度調節杆
- 10 側面手柄
- 11 深度杆固定夾

轉矩限制離合器

所有旋轉式衝擊式鑽機都配有一個轉矩限制離合器，以降低鑽頭卡滯時傳遞給操作人員的最大轉矩反作用力。這一特點也可防止齒輪裝置和電動機停止轉動。轉矩限制離合器已由廠家設定，不可再作調整。

電氣安全

該電機只有一種工作電壓，請確認電源電壓同標牌上標明的電壓一致。



該工具根據EN50144標準設施雙重絕緣，因此不需要地線。

使用延長纜線

如果需要使用延長纜線，請使用符合該工具電源輸入規格(參見技術資料)的經核准的延長纜線。導線最小橫截面積為1.5 平方毫米。使用纜線卷筒時，應將纜線完全松開。

請參考以下表格。

纜線橫截面積(平方毫米)		纜線額定電流(安培)						
0.75		6						
1.00		10						
1.50		15						
2.50		20						
4.00		25						
		0						
		纜線長度(米)						
		7.5	15	25	30	45	60	
電壓	安培	纜線額定電流(安培)						
115	- 02.0	6	6	6	6	6	6	1
	2.1 - 3.4	6	6	6	6	6	15	15
	3.5 - 5.0	6	6	10	15	20	20	20
	5.1 - 7.0	10	10	15	20	20	25	25
	7.1 - 12.0	15	15	20	25	25	-	-
230	12.1 - 20.0	20	20	25	-	-	-	-
	0 - 2.0	6	6	6	6	6	6	6
	2.1 - 3.4	6	6	6	6	6	6	6
	3.5 - 5.0	6	6	6	6	10	15	15
	5.1 - 7.0	10	10	10	10	15	15	15
	7.1 - 12.0	15	15	15	15	20	20	20
	12.1 - 20.0	20	20	20	20	25	-	-

安裝及調試



安裝調試前請拔掉工具的電源線。

設定工作模式(圖B1及B2)

D25102(K) (圖B1)

本工具可以用于兩種工作模式。



旋鑽模式：用于擰螺絲以及鋼材、木材和塑料鑽孔。



錘鑽模式：用于混凝土和磚石鑽孔操作。

D25103K/D25104K/D25203K(圖B2)

本工具可以用于工作模式：



旋鑽模式：用于擰螺絲以及鋼材、木材和塑料鑽孔。



錘鑽模式：用于混凝土和磚石鑽孔操作。



純錘擊模式：用于輕型修琢、鑿以及拆毀等用途。

此種模式下，本工具還可用作杠杆，以撬起滯塞的鑽頭。



鑽頭旋轉模式：這是一種非工作模式，僅用于轉動平鑿，使之轉動至所需的位置。

- 要選擇操作模式，按下安全鎖(5)并轉動模式選擇開關(4)，直到使之指向所要求模式的符號。
- 松開安全鎖并檢查確保模式選擇開關鎖定在對應位置上。



不要在工具運轉時選擇操作模式。

確定鑿刀位置

鑿刀可以放置并鎖定在51個不同的位置上。

- 轉動模式選擇開關(4)直至它指向“鑽頭旋轉”的位置。
- 轉動鑿刀至想要的位置。
- 將模式選擇開關(4)轉到“純捶擊”的位置上。
- 扭轉鑿刀直至它鎖定在相應的位置上。

插入和去除SDS-plus® 附件(圖C)

本工具使用SDS-plus® 附件(請參閱圖B中的小圖，那裏提供了SDS-plus® 鈎柄的截面圖)。

我們推薦您僅使用專業配件。

- 清潔鈎柄并給其上潤滑油。
- 將鈎柄插入到槽口中(6)。
- 將鑽頭往下推，輕輕轉動它，直至其進入開槽中。
- 拉扯鑽頭，檢查其是否鎖定恰當。
撞擊功能要求鑽頭鎖定在刀夾中時能夠軸向移動幾個厘米。
- 要去除鑽頭，將夾頭(12)回按，并拉出鑽頭。

安裝側面手柄(圖D)

適當安裝側面手柄(10)，可以使之既適應於右撇子，又適應於左撇子。



使用鑽機時，切記將把手適當地裝配好。

- 擰松側面手柄。
- 對於右撇子用戶，將側面手柄夾鉗繞過夾頭后面的軸環，使手柄位於左側。
- 對於左撇子用戶，將側面手柄夾鉗繞過夾頭后面的軸環，使手柄位於右側。
- 將側面手柄旋轉到想要的位置，并將其擰緊。

設定鑽孔深度(圖E)

- 如上插入所要求的鑽頭。
- 按下深度杆固定夾鉗(11)并保持按下位置。
- 將深度調節杆(9)穿過深度杆固定夾鉗中的孔。
- 如圖所示調節鑽孔深度。
- 松開深度杆固定夾鉗。

正向/反向滑塊(圖F1及F2)

D25102(K)/D25103K/D25104K(圖F1)

- 將正向/反向滑塊(3)推到右手邊以便進行正向(右手)旋轉。請參考工具上的箭頭。
- 將正向/反向滑塊(3)推到左手邊以便進行反向(左手)旋轉。

D25203K(圖F2)

- 將正向/反向滑塊(3)推到左手邊以便進行正向(右手)旋轉。請參考工具上的箭頭。

- 將正向/反向滑塊(3)推到右手邊以便進行反向(左手)旋轉。



切記等到發動機完全停止才能改變旋轉方向。

D25102(K)/D25103K/D25203K

安裝夾頭連接器及夾頭

- 將夾頭旋進夾頭連接器帶螺紋的一端。
- 將連接好的夾頭和連接器作為一個標準的SDS-plus[®]鑽頭插入工具中。
- 需要拆除夾頭時，與拆除標準SDS-plus[®]鑽頭的操作相同。



千萬不要在錘鑽模式下使用標準夾頭。

D25104K-用夾頭替代夾頭(圖G)

- 將鎖圈(8)轉到開鎖位置，并將刀夾槽(6)拉出。
- 將夾頭(13)推到軸上，并將鎖圈轉到鎖定位置。
- 要將刀夾替代夾頭，首先以去除刀夾的方式去除夾頭，然后以放置夾頭的方式放置刀夾。



千萬不要在錘鑽模式下使用標準夾頭。

更換防塵罩(圖C)

防塵罩(7)防止灰塵進入機械內部。防塵罩破損應立即更換。

- 將刀夾鎖定套(12)拉回并拉出防塵罩(7)。
- 裝上新的防塵罩。
- 釋放刀夾鎖定套。

使用說明



- 請務必遵守安全說明和相關適用規則。

留意管道系統和布線的位置。

給工具施加輕度的壓力(約5千克)。過度用力并不能加快鑽孔速度，反而會降低工具的工作表現，還可能縮短工具的使用壽命。

不要鑽得或推得太深，以免損壞防塵罩。

用雙手緊握工具，保證安全的站姿(圖H)。側面手柄恰當固定后再操作工作。

開關工具電源(圖A)

D25102(K)/D25103K/D25104K

- 要啓動工具，按下可變速開關(1)。施加給可變速開關的壓力大小，決定工具運行速度的快慢。
- 要持續操作，按住可變速開關，按下鎖定按鈕(2)并松開開關。
- 要停止工具，松開開關。
- 要讓連續工作的工具停止運行，快速按下開關并釋放之。切記在工作完成時和拔下插頭前關閉工具。

D25203K

- 要啓動工具，按下可變速開關(1)。施加給可變速開關的壓力大小，決定工具運行速度的快慢。
- 要停止工具，松開開關。
- 要在將工具鎖定在關閉狀態，將正向/反向滑塊(3)移到中間位置。

錘鑽(圖A)

用堅固鑽頭進行鑽孔

- 將模式選擇開關(4)設置到“錘鑽”的位置上。
- 插入合適的鑽頭。為達到最佳鑽孔效果，請使用高質量的頂部為硬質合金的鑽頭。
- 調整側面手柄(9)到相應的位置上。
- 如有必要，設置鑽孔深度。
- 標記要鑽孔的位置。
- 將鑽頭放置在要鑽孔的位置上，啓動工具。
- 切記工作完成后，在拔下插頭前，一定要關閉工具。

用取芯鑽頭進行鑽孔

- 將模式選擇開關(3)設置到“錘鑽”的位置上。
- 調整側面手柄(9)到相應的位置上。
- 插入合適的取芯鑽頭。
- 將中心孔鑽裝配到取芯鑽頭裏面。
- 將中心孔鑽放置在要鑽孔的位置上，按下可變速開關(1)，啓動鑽機進行鑽孔，直到孔鑽鑽入混凝土中大約一厘米深。
- 停止鑽孔，取出中心孔鑽。將取芯鑽頭放回孔中繼續鑽孔。
- 當要對一個厚度超過中心孔鑽深度的結構進行鑽孔時，需定期剝離鑽頭周圍的混凝土或清理鑽頭內芯。為避免在鑽孔周圍作不必要的混凝土剝離，可以先對要鑽孔的結構鑽透一個直徑為中心孔鑽的小孔，然后再在該結構的兩側各鑽入該結構厚度的一半深度。
- 切記工作完成后，在拔下插頭前，一定要關閉工具。

旋鑽(圖A)

- 將模式選擇開關(4)設置到“旋鑽”的位置上。
- 根據你的工具，遵守下列指引之一：
 - 安裝夾盤連接器/組件(D25102(K)/D25103K/D25203K)。
 - 用夾盤替換刀架(D25104K)。
- 如錘鑽中所描述的方式一般進行鑽孔。



在錘鑽模式中，切記不要使用標準夾盤。

擰螺絲(圖A)

- 將模式選擇器開關(4)設定到“旋鑽”位置。
- 選擇旋轉方向。
- 根據你的工具，遵守下列指引之一：
 - 插入專用的SDS-plus®螺絲驅動連接器與六角螺絲起子頭一起使用(D25102(K)/D25103K/D25203K)。
 - 用夾盤替換刀夾(D25104K)。

- 插入合適的螺絲起子頭。
在使用開槽頭螺絲釘，須使用帶軸套的鑽頭。
- 輕輕按下可變速開關(1)以防損壞螺釘頭。當反向(左手)旋轉時，工具速度自動減慢，以便更簡單地取出螺釘。
- 當螺絲釘與工件齊平時，鬆開可變速開關以防螺釘頭刺入工件。



潤滑

您購買的電動工具無須額外的潤滑。

但是，對所使用的附件和配件必須定期在SDS-plus[®]裝配處周圍進行潤滑。



清潔

請您保持通風口的干淨并經常用軟抹布清潔工具外殼。



廢棄工具與環境

將您廢棄的工具拿到授權的得偉維修點，他們會以對環境安全的方式處置您的工具。

D25103K/D25104K/D25203K--修琢與鑿(圖A)

- 將模式選擇開關(4)設置到“純捶擊”的位置上。
- 插入合適的鑿刀，用手旋轉之使之鎖定在51個位置中的一個上。
- 調整側面手柄(9)到相應的位置上。
- 啟動工具開始工作。
- 切記工作完成后，在拔下插頭前，一定要關閉工具。



- 不要將本工具用于攪拌或抽取易燃易爆液體(如：汽油、酒精等)。
- 不要混合或攪拌標示為可燃的液體。

我們還提供各種類型的SDS-plus[®]鑽頭和鑿刀可供選擇。

請聯系您的經銷商，征詢有關適當配件的進一步信息。

維護

您購買的得偉電動工具經過精心設計，具有壽命長、維修簡易的特點。持續理想的運作性能依賴于妥善保養和經常清潔。

- 本機器不可由用戶進行維護。使用大約40小時以后，您需要將工具交給授權的得偉維修點進行維護。如果在此之前出現問題，請聯絡授權的得偉維修點。
- 碳刷磨損時，工具會自動關閉。

ส่วนเจาะกระแทกแบบโรตารีสำหรับใช้งานหนัก D25102(K)/D25103K/D25104K/D25203K

ยินดีด้วยครับ!

คุณได้เลือกใช้ผลิตภัณฑ์เครื่องมือของ DEWALT ด้วยประสิทธิภาพหลายมีที่ผ่านมาในการพัฒนาผลิตภัณฑ์และนวัตกรรมขั้นเลิศ ทำให้ DEWALT เป็นหนึ่งในเครื่องมือไฟฟ้าที่น่าเชื่อถือสำหรับผู้ใช้อาชีพมากที่สุด

ข้อมูลทางด้านเทคนิค

	D25102(K)	D25103K	D25104K	D25203K
แรงดันไฟฟ้า	โวลต์ 220	220	220	220
กำลังไฟเข้า	วัตต์ 680	680	680	710
ความเร็วขณะไม่มีโหลด	min ⁻¹ 0 - 1,100	0 - 1,100	0 - 1,100	0 - 1,100
ความเร็วขณะมีโหลด	min ⁻¹ 0 - 800	0 - 800	0 - 800	0 - 800
พลังงานในการกระแทก				
การเจาะกระแทก	จูล 2.8	2.8	2.8	2.8
การสกัด	จูล -	3.0	3.0	3.1
ขนาดรูสกรูที่เจาะได้ในเหล็ก/ไม้/คอนกรีต	ม.ม. 13/30/24	13/30/24	13/30/24	13/30/26
ตำแหน่งสกัด	-	51	51	51
ความสามารถในการเจาะอิฐ	ม.ม. 65	65	65	65
ที่จับดอกเจาะ	SDS-plus®	SDS-plus®	SDS-plus®	SDS-plus®
เส้นผ่านศูนย์กลางปลอกกรด	ม.ม. 54	54	54	54
น้ำหนัก	ก.ก. 2.55	2.6	2.8	2.75

สัญลักษณ์ด้านล่างนี้จะถูกใช้ตลอดทั้งคู่มือฉบับนี้:



แสดงความเสี่ยงที่อาจเกิดการบาดเจ็บต่อบุคคล
สูญเสียชีวิต หรือสร้างความเสียหายต่อเครื่องมือได้
หากไม่ได้อ่านข้อแนะนำในคู่มือเล่มนี้



แสดงความเสี่ยงที่อาจเกิดไฟฟ้าดูดได้



อันตรายจากอัคคีภัย

ประกาศการรับรองจาก EC



D25102(K)/D25103K/D25104K/D25203K
DEWALT ขอประกาศว่าเครื่องมือไฟฟ้านี้ได้รับการออกแบบมา
ตรงตามมาตรฐาน: 98/37/EEC, 89/336/EEC, 73/23/EEC,
EN 50144, EN 55014-2, EN 55014-1, EN 61000-3-2 และ
EN 61000-3-3

หากต้องการข้อมูลเพิ่มเติม กรุณาติดต่อ DEWALT ตามที่อยู่
ด้านล่างนี้ หรือดูได้จากด้านหลังของคู่มือเล่มนี้

ระดับความดังของเสียงตามมาตรฐาน 86/188/EEC และ
98/37/EEC โดยทำการวัดตาม EN 50144:

	D25102(K)	D25103K
L _{PA} (ความดันของเสียง) dB(A)*	90.5	90.5
L _{WA} (กำลังเสียง) dB(A)	99	99

	D25104K
L _{PA} (ความดันของเสียง) dB(A)*	90.5
L _{WA} (กำลังเสียง) dB(A)	99

* วัดที่ตำแหน่งผู้ใช้งาน



ใช้มาตรการที่เหมาะสมในการป้องกันอันตรายจากเสียง

ค่ากำลังสองเฉลี่ยถ่วงน้ำหนักตามมาตรฐาน EN 50144:

D25102(K)	D25103K	D25104K	D25203K
9.2 m/s ²	9.2 m/s ²	9.2 m/s ²	9.2 m/s ²

ผู้อำนวยการฝ่ายวิศวกรรมและพัฒนาผลิตภัณฑ์
Horst Großmann

DEWALT, Richard-Klinger-Straße 11
D-65510, Idstein, Germany

ข้อปฏิบัติด้านความปลอดภัย

เมื่อใช้เครื่องมือไฟฟ้า กรุณาศึกษาข้อกำหนดด้านความปลอดภัยที่เหมาะสมกับประเทศที่ท่านอยู่ เพื่อช่วยลดความเสี่ยงที่จะเกิดอันตรายเนื่องจากอัคคีภัย ไฟฟ้าช็อตและการบาดเจ็บส่วนบุคคลได้

กรุณาอ่านคู่มือเล่มนี้อย่างละเอียดก่อนที่จะใช้เครื่องมือ
กรุณาเก็บคู่มือเล่มนี้ไว้เพื่อใช้อ้างอิงในอนาคต

ข้อควรปฏิบัติทั่วไป

1 ดูแลพื้นที่ทำงานให้สะอาดอยู่เสมอ

พื้นที่และโต๊ะทำงานที่ระเกะระกะอาจก่อให้เกิดอุบัติเหตุได้

2 ควรคำนึงถึงสภาพแวดล้อมของพื้นที่ทำงาน

อย่าให้อุปกรณ์เปียกฝน อย่าใช้อุปกรณ์ที่อยู่ในสภาพเปียกหรือชื้น จัดให้พื้นที่ทำงานมีแสงสว่างเพียงพอ (250 - 300 ลักซ์) อย่าใช้อุปกรณ์ในบริเวณที่มีความเสี่ยงต่อการเกิดอัคคีภัยหรือเสียงต่อการระเบิด เช่น พื้นที่ที่มีของเหลวหรือแก๊สที่อาจติดไฟได้

3 อย่าให้เด็กเข้าใกล้เครื่องมือ

อย่าให้เด็ก บุคคลอื่นที่ไม่เกี่ยวข้อง หรือสัตว์เลี้ยง เข้าใกล้พื้นที่ทำงาน หรือสัมผัสเครื่องมือหรือสายไฟ

4 แต่งกายให้เหมาะสม

อย่าสวมใส่เสื้อผ้าหรือเครื่องประดับที่หลวม เนื่องจากอาจจะถูกดึงเข้าไปในส่วนของเครื่องมือซึ่งกำลังทำงานอยู่เสมอที่คลุมหมวกเพื่อเก็บผมยาวให้พ้นจากเครื่องมือ ในขณะที่กำลังทำงานกลางแจ้ง ให้สวมถุงมือที่เหมาะสมและรองเท้ากันลื่น

5 การป้องกันอันตรายส่วนบุคคล

สวมแว่นตานิรภัยตลอดเวลา ใช้หมวกกันกระแทกหรือกันฝุ่นเมื่อต้องทำงานที่ก่อให้เกิดฝุ่น

หรืออนุภาคที่ฟุ้งกระจาย อนุภาคเหล่านี้ค่อนข้างจะร้อน ดังนั้นให้สวมผ้ากันความร้อนด้วย สวมอุปกรณ์ป้องกันหูตลอดเวลา

6 สวมอุปกรณ์ป้องกันการถูกไฟฟ้าช็อต

ป้องกันร่างกายไม่ให้สัมผัสกับพื้นผิวที่มีการต่อลงดิน (เช่น ท่อ เครื่องทำความร้อน หม้อหุงข้าว และตู้เย็น) เมื่อต้องใช้เครื่องมือภายใต้สภาพแวดล้อมที่เสียง (เช่น เมื่อมีเศษโลหะเกิดขึ้นในขณะที่สภาพอากาศมีความชื้นสูง เป็นต้น) สามารถเพิ่มความปลอดภัยทางไฟฟ้าได้โดยการใส่หม้อแปลงแยกวงจรหรืออุปกรณ์ตัดไฟรั่วลงดินเพิ่มเติมได้

7 อย่าใช้งานโดยการเอื้อม

ขณะใช้งานเครื่องมือ ควรยืนให้มั่นคงและมีความสมดุลอยู่ตลอดเวลา

8 ดึงตัวออกตลอดเวลา

ขณะใช้เครื่องมืออยู่ ให้มีสมาธิกับสิ่งที่กำลังทำ ใช้วิจารณญาณ ไม่ควรใช้เครื่องมือขณะรู้สึกเหนื่อยล้า

9 ยึดชิ้นงานให้แน่น

ใช้ที่หนีบหรือปากกาจับชิ้นงานเพื่อยึดชิ้นงาน เพราะจะปลอดภัยกว่าและช่วยให้สามารถไขมีอทั้งสองข้างจับเครื่องมือได้

10 ตอลเครื่องมือเข้ากับอุปกรณ์ดูดฝุ่น

ถ้าเครื่องมือสามารถต่ออุปกรณ์ที่ดูดฝุ่นและเก็บฝุ่นได้ ดูให้แน่ใจว่าอุปกรณ์เหล่านี้ต่ออยู่และใช้งานอย่างเหมาะสม

11 ถอดประแจปรับตั้งต่าง ๆ ออก

ตรวจดูทุกครั้งว่าได้ถอดประแจปรับตั้งต่าง ๆ ออกจากเครื่องมือก่อนที่จะใช้งานเครื่องมือ

12 สายพ่วง

ให้ทำการตรวจสอบก่อนที่จะใช้งานสายพ่วง และถ้ามีความเสียหายให้เปลี่ยนสายใหม่ เมื่อต้องใช้เครื่องมือกลางแจ้ง ให้ใช้สายพ่วงสำหรับใช้งานกลางแจ้งเท่านั้น

13 ใช้เครื่องมือที่เหมาะสม

วัดอุณหภูมิในการทำงานของเครื่องมือได้รับการอธิบายไว้ในคู่มือการใช้งานเล่มนี้แล้ว อย่าฝืนใช้เครื่องมือหรืออุปกรณ์ติดตั้งขนาดเล็กในการทำงานที่ควรใช้เครื่องมือสำหรับงานหนัก

ภาษาไทย

เครื่องมือจะทำงานได้ดีกว่าและปลอดภัยเมื่อใช้งานตาม พิกัดที่กำหนดไว้ อย่าฝืนใช้งานเกินกำลังของเครื่องมือ

คำเตือน! การใช้อุปกรณ์เสริมหรืออุปกรณ์ติดตั้งหรือการใช้งานเกินสมรรถนะของเครื่องมือตามที่ได้กำหนดไว้ใน คู่มือการใช้งานเล่มนี้ อาจจะทำให้เกิดความเสียหาย บาดเจ็บส่วนบุคคลได้

14 ตรวจสอบชิ้นส่วนที่เสียหาย

ก่อนการใช้งาน กรุณาตรวจสอบเครื่องมือและสายไฟหลัก อย่างละเอียดว่ามีความเสียหายหรือไม่ ตรวจสอบว่ามี การติดขัดและการบิดเบี้ยวของส่วนที่เคลื่อนไหวได้ ชิ้นส่วนที่ แตกหัก สวิตช์และอุปกรณ์ป้องกันชารุด และสภาพอื่นๆ ที่ อาจจะส่งผลต่อการใช้งานหรือไม่ ตรวจสอบให้มั่นใจว่า เครื่องมือจะทำงานได้อย่างถูกต้อง และใช้งานได้ตาม วัตถุประสงค์ของเครื่องมือ ห้ามใช้เครื่องมือหากมีชิ้นใด ส่วนหนึ่งเสียหายหรือบกพร่อง

ห้ามใช้เครื่องมือนี้ถ้าสวิตช์ไม่สามารถเปิดและปิดได้ ให้ ตัวแทนซ่อมที่ได้รับอนุญาตจาก DEWALT ทำการ ซ่อมแซมหรือเปลี่ยนชิ้นส่วนที่ชารุดหรือเสียหายเท่านั้น ห้ามทำการซ่อมเครื่องมือด้วยตัวเอง

15 การถอดปลั๊กเครื่องมือ

ปิดสวิตช์และรอจนกระทั่งเครื่องมือหยุดนิ่งสนิท ก่อนจะไปจากเครื่องมือ ถอดปลั๊กเครื่องมือออกเมื่อไม่ได้ใช้งาน หรือขณะซ่อมแซมหรือเปลี่ยนชิ้นส่วน อุปกรณ์เสริม หรือ อุปกรณ์ติดตั้งและก่อนการนำเครื่องมือไปรับบริการ

16 หลีกเลี่ยงการเปิดเครื่องมือโดยไม่ได้ตั้งใจ

ไม่ควรถือเครื่องมือโดยวางนิ้วอยู่บนสวิตช์เปิดปิด ก่อน เสียบปลั๊ก ตรวจสอบให้มั่นใจว่าสวิตช์อยู่ในตำแหน่งปิดอยู่

17 ห้ามใช้งานสายไฟของเครื่องมืออย่างผิดวิธี

ห้ามหิ้วเครื่องมือด้วยสายไฟ ห้ามดึงสายไฟเพื่อดึงปลั๊ก ออกจากเต้าเสียบ เก็บสายไฟให้ห่างจากความร้อน น้ำมัน และวัตถุมีคม

18 เก็บเครื่องมือที่ไม่ได้ใช้งาน

เมื่อไม่ได้ใช้งาน ให้เก็บเครื่องมือในบริเวณที่แห้งและปิด ล็อคไว้อย่างปลอดภัยให้พ้นมือเด็ก

19 เก็บรักษาและดูแลเครื่องมืออย่างดี

รักษาให้เครื่องมืออยู่ในสภาพดีและสะอาดเพื่อการใช้งาน ที่มีประสิทธิภาพและปลอดภัย ทำตามวิธีการในการดูแล รักษาเครื่องมือและการเปลี่ยนชิ้นส่วน รักษาตามจับและ สวิตช์ให้แห้ง สะอาด และปราศจากน้ำมันหรือคราบมัน

20 การซ่อมแซม

เครื่องมือนี้ได้รับการออกแบบมาตามข้อกำหนดเพื่อความปลอดภัยที่มีประสิทธิภาพและปลอดภัย ให้ตัวแทนซ่อมที่ได้รับอนุญาตจาก DEWALT ทำการซ่อมแซมเครื่องมือของท่านเท่านั้น การ ซ่อมแซมเครื่องมือนี้ควรกระทำโดยช่างที่ผ่านการรับรอง และใช้เฉพาะอะไหล่ของแท้เท่านั้น มิเช่นนั้นอาจเกิด อันตรายต่อผู้ใช้งานได้

สิ่งที่บรรจุมาด้วย

ในกล่องที่บรรจุเครื่องมือมี:

- ส่วนเจาะกระแทกแบบโรตารีสำหรับงานหนัก 1 ชิ้น
- ตามจับด้านข้าง 1 ชิ้น
- ก้านปรับความลึก 1 ชิ้น
- กล่องเครื่องมือ (เฉพาะรุ่น K เท่านั้น) 1 ชิ้น
- ที่ปรับดอกสว่านแบบไม่ใช้ประแจ (D25104K) 1 ชิ้น
- คู่มือการใช้งาน 1 ชิ้น

- ตรวจสอบว่ามีเครื่องมือ ชิ้นส่วน หรืออุปกรณ์ ได้รับความเสียหายในระหว่างการขนส่งหรือไม่
- อ่านและทำความเข้าใจคู่มือการใช้งานเล่มนี้อย่างละเอียดก่อนการใช้งาน

ส่วนเจาะกระแทกแบบโรตารีสำหรับใช้งานหนัก รุ่น D25102(K)/ D25103K/D25104K/D25203K ได้รับการ ออกแบบมาสำหรับงานเจาะกระแทก ชินสกรู งานฉาบ งานสกัด การใช้งานหรือถอน และสำหรับงานเจาะด้วยดอก สว่านขนาดโรตารี

- 1 สวิตช์ปรับความเร็ว
- 2 ปุ่มล็อก (D25102(K)/D25103K/D25104K)
- 3 สวิตช์เลื่อนปรับเดินหน้า/ถอยหลัง
- 4 ที่เลือกระบบการทำงาน
- 5 ล็อกนกรัก
- 6 ตัวจับดอก
- 7 ฝาครอบกันฝุ่น
- 8 ปลอกกริด (D25104K)
- 9 ก้านปรับความลึก
- 10 ตามจับด้านข้าง
- 11 ที่หนีบตัวกำหนดความลึก

คลังขั้วจำกัดแรงบิด

ส่วนกระแทกแบบโรตารีทุกเครื่องจะมีคลังขั้วจำกัดแรงบิด ซึ่งช่วยลดแรงต้านแรงบิดที่ส่งผ่านมายังผู้ใช้งานในกรณีที่มีการติดขัดของดอกสว่าน อีกทั้ง คุณสมบัตินี้ยังช่วยป้องกัน ชุดเฟืองและมอเตอร์ไฟฟ้าจากการติดขัดได้ด้วย คลังขั้ว จำกัดแรงบิดจะได้รับคำสั่งมาจากโรงงานและไม่สามารถ ปรับตั้งได้

ความปลอดภัยทางไฟฟ้า

มอเตอร์ไฟฟ้าได้รับการออกแบบมาสำหรับแรงดันไฟฟ้า เพียงค่าเดียวเท่านั้น ตรวจสอบแหล่งจ่ายไฟว่ามี แรงดันไฟฟ้าตรงกับแรงดันไฟฟ้าที่ระบุไว้บนแผ่นป้ายบอก พิกัดหรือไม่



เครื่องมือ DEWALT นี้มีการหุ้มฉนวนสองชั้น ตามมาตรฐาน EN 50144 ดังนั้นจึงไม่จำเป็นต้องใช้สายดิน

การใช้งานสายพวง

ถ้าจำเป็นต้องใช้สายพวง ให้ใช้เฉพาะสายพวงที่เหมาะสมกับกำลังไฟด้านเข้าของเครื่องมือนี้เท่านั้น (ดูเพิ่มเติมได้ที่ข้อมูลทางด้านเทคนิค) พื้นที่หน้าตัดของลวดตัวนำต้องมีขนาดอย่างต่ำ 1.5 ตารางมิลลิเมตร

เมื่อใช้สายพวงแบบดลัมม้วน ให้ดึงสายไฟออกมาจนสุดทุกครั้ง

นอกจากนั้น ให้ดูตารางด้านล่างนี้ประกอบ

ขนาดของสายตัวนำ (ตร.มม.)	พิกัดของสายไฟ(แอมแปร์)							
0.75	6							
1.00	10							
1.50	15							
2.50	20							
4.00	25							
ความยาวของสายไฟ (เมตร)		7.5	15	25	30	45	60	
โวลต์	แอมแปร์	พิกัดของสายไฟ(แอมแปร์)						
115	- 2.0	6	6	6	6	6	1	
	2.1 - 3.4	6	6	6	6	15	15	
	3.5 - 5.0	6	6	6	10	20	20	
	5.1 - 7.0	10	10	15	20	20	25	
	7.1 - 12.0	15	15	20	25	25	-	
	12.1 - 20.0	20	20	25	-	-	-	
230	0 - 2.0	6	6	6	6	6	6	
	2.1 - 3.4	6	6	6	6	6	6	
	3.5 - 5.0	6	6	6	6	10	15	
	5.1 - 7.0	10	10	10	10	15	15	
	7.1 - 12.0	15	15	15	15	20	20	
	12.1 - 20.0	20	20	20	20	25	-	

การประกอบและการปรับตั้งเครื่องมือ



ก่อนที่จะประกอบหรือปรับตั้งใด ๆ ให้ถอดปลั๊กเครื่องมือก่อนทุกครั้ง

การเลือกระบบการทำงาน (รูป B1 & B2)

D25102(K) (รูป B1)

เครื่องมือนี้สามารถใช้งานได้ในระบบการใช้งานดังต่อไปนี้:



การเจาะแบบหมุน: สำหรับการขันสกรูและสำหรับการเจาะโลหะ ไม้ และพลาสติก



การเจาะกระแทก: สำหรับการเจาะคอนกรีตและผนังก่อ

D25103K/D25104K/D25203K (รูป B2)

เครื่องมือนี้สามารถใช้งานได้ใหม่ในการใช้งานดังต่อไปนี้:



การเจาะแบบหมุน: สำหรับการขันสกรูและสำหรับการเจาะโลหะ ไม้ และพลาสติก



การเจาะกระแทก: สำหรับการเจาะคอนกรีตและผนังก่ออิฐ



การกระแทกเพียงอย่างเดียว: สำหรับการใช้งานตาก งานสก็ด และงานรื้อถอน

ในโหมดนี้ เครื่องมือสามารถใช้ในการจัดดอกสว่านที่ติดตั้งได้



การหมุนดอกสว่าน: เป็นตำแหน่งที่ไม่ใช้งานเพื่อใช้ในการหมุนดอกสก็ดปากแบนให้เข้าไปอยู่ในตำแหน่งที่ต้องการ

- ในการเลือกโหมดทำงาน ให้กดล้อกนรภัย(5)และหมุนสวิตช์เลือกโหมด (4) จนกระทั่งชี้ตรงกับโหมดที่ต้องการ
- ปล่อยล้อกนรภัย และตรวจดูว่าสวิตช์เลือกโหมดล็อกเข้าที่แล้ว



อย่าเลือกโหมดการทำงาน ในขณะที่เครื่องมือกำลังทำงานอยู่

การกำหนดตำแหน่งของดอกสก็ด

เครื่องมือจะสามารถกำหนดและล็อกตำแหน่งของดอกสก็ดได้ 51 ตำแหน่ง

- หมุนสวิตช์เลือกโหมด (4) ให้ชี้ไปที่ตำแหน่ง "หมุนดอกสว่าน"
- หมุนดอกสก็ดให้อยู่ในตำแหน่งที่ต้องการ
- หมุนสวิตช์เลือกโหมด (4) ไปที่ตำแหน่ง "กระแทกเพียงอย่างเดียว"
- บิดดอกสก็ดจนกว่าจะล็อกเข้าที่

การใช้และถอดดอก SDS-plus® (รูป C)

เครื่องมือนี้ใช้กับดอก SDS-plus® (ดูภาพตัดขวางของ ก้านดอกสว่านได้ในภาพประกอบ B)

ภาษาไทย

ขอแนะนำให้ใช้ดอก SDS PLUS ระดับช่างมืออาชีพเท่านั้น

- ทำความสะอาดก้านดอกสว่านและหยอดน้ำมัน
- ใส่ก้านดอกสว่านเข้าไปในที่จับดอก (6)
- กดดอกสว่านลงและค่อย ๆ หมุนจนกว่าจะเข้าร่อง
- ลองดึงดอกสว่านเพื่อดูว่าดอกสว่านล็อกเข้าที่หรือไม่ในการใช้งานแบบเจาะกระแทก เมื่อล็อกเข้าไปในที่ยึดเครื่องมือแล้ว ดอกสว่านจะต้องสามารถเคลื่อนไหวตามแนวแกนได้บ้าง
- การถอดดอกสว่านทำได้โดยการดึงปลอกล็อกของที่ยึดเครื่องมือ (12) ออก และดึงดอกสว่านออก

การติดตั้งมือจับด้านข้าง (รูป D)

มือจับด้านข้าง (10) สามารถประกอบเพื่อให้เหมาะกับการใช้งานได้ทั้งผู้ใช้ที่ถนัดมือซ้ายหรือมือขวา



ใช้เครื่องมือที่ประกอบด้วยจับด้านข้างอย่างถูกต้องทุกครั้ง

- คลายด้ามจับด้านข้าง
- สำหรับผู้ใช้ที่ถนัดขวา ให้เลื่อนที่หนีบด้ามจับด้านข้างมาอยู่ด้านหลังของตัวยึด โดยให้ด้ามจับหันไปทางซ้าย
- สำหรับผู้ใช้ที่ถนัดซ้าย ให้เลื่อนที่หนีบด้ามจับด้านข้างมาอยู่ด้านหลังของตัวยึด โดยให้ด้ามจับหันไปทางขวา
- หมุนปรับด้ามจับด้านข้างให้อยู่ในตำแหน่งที่ต้องการและขันด้ามจับให้แน่น

การตั้งความลึกกระเจาะ (รูป E)

- ใส่ดอกสว่านที่ต้องการใช้ตามรายละเอียดข้างต้น
- กดที่หนีบตัวกำหนดความลึก (11) และค้างไว้
- ใส่ก้านปรับความลึก (9) ผ่านรูในที่หนีบตัวกำหนดความลึก
- ปรับตั้งความลึกในการเจาะดังแสดงในรูป
- ปลดอยู่ที่หนีบตัวกำหนดความลึก

สวิตช์เลื่อนปรับเดินหน้า/ถอยหลัง (รูป F1 & F2)

D25102(K)/D25103K/D25104K (รูป F1)

- ดันสวิตช์เลื่อนปรับเดินหน้า/ถอยหลัง (3) ไปยังด้านขวา สำหรับการหมุนไปข้างหน้า (RH) ดูลูกศรบนเครื่องมือ
- ดันสวิตช์เลื่อนปรับเดินหน้า/ถอยหลัง (3) ไปยังด้านซ้าย สำหรับการหมุนย้อนกลับ (LH)

D25203K (รูป F2)

- ดันสวิตช์เลื่อนปรับเดินหน้า/ถอยหลัง (3) ไปยังด้านซ้าย สำหรับการหมุนไปข้างหน้า (RH) ดูลูกศรบนเครื่องมือ

- ดันสวิตช์เลื่อนปรับเดินหน้า/ถอยหลัง (3) ไปทางด้านขวา สำหรับการหมุนย้อนกลับ (ไปทางด้านซ้าย)



รอกจนกระทั่งมอเตอร์หยุดนิ่งสนิท ก่อนที่จะเปลี่ยนทิศทางหมุน

D25102(K)/D25103K/D25203K –

การประกอบอะแดปเตอร์หัวจับดอกโรตารี & หัวจับดอกสว่าน

- ขันหัวจับดอกสว่านเข้าไปในเกลียวของอะแดปเตอร์หัวจับดอก
- ใส่หัวจับดอกสว่านที่ต่อกับอะแดปเตอร์เข้าไปในเครื่องมือเหมือนกับเป็นดอกสว่าน SDS-plus® มาตรฐานทั่วไป
- การถอดหัวจับดอกสว่าน สามารถทำได้เหมือนการถอดดอกสว่าน SDS-plus® มาตรฐานทั่วไป



ห้ามใช้หัวจับดอกสว่านในระบบการเจาะกระแทก

D25104K - การเปลี่ยนที่ยึดเครื่องมือด้วยหัวจับดอกสว่าน (รูป G)

- หมุนปลอกกรัด (8) ให้อยู่ในตำแหน่งปลดล็อกและดึงตัวจับดอก (6) ออกมา
- ใส่หัวจับดอกสว่าน (13) เข้าไปบนแกนและหมุนปลอกกรัดให้ไปอยู่ในตำแหน่งล็อก
- ในการเปลี่ยนหัวจับดอกสว่านด้วยที่ยึดเครื่องมือ ให้ถอดหัวจับดอกสว่านด้วยวิธีเดียวกันที่ใช้ถอดที่ยึดเครื่องมือ หลังจากนั้นจึงใส่ที่ยึดเครื่องมือด้วยวิธีเดียวกันที่ใส่หัวจับดอกสว่าน



ห้ามใช้หัวจับดอกสว่านมาตรฐานกับระบบการเจาะกระแทก

การเปลี่ยนฝาครอบกันฝุ่น (รูป C)

ฝาครอบกันฝุ่น (7) เพื่อป้องกันฝุ่นเข้าไปในกลไกของเครื่องมือให้ทำการเปลี่ยนฝาครอบกันฝุ่นที่สึกหรือหั่นที่

- ดึงปลอกกรัดของที่ยึดเครื่องมือ (12) และดึงฝาครอบกันฝุ่น (7) ออก
- ใส่ฝาครอบกันฝุ่นอันใหม่เข้าไป
- ปลดปลอกกรัดที่ยึดเครื่องมือ

ข้อแนะนำในการใช้งาน



- ให้ศึกษาข้อแนะนำด้านความปลอดภัยในการใช้งานและข้อกำหนดที่เกี่ยวข้องอยู่เสมอ

ใช้ความระมัดระวังท่อหรือสายไฟที่อาจจะอยู่ในบริเวณนั้น

ใช้แรงกดเครื่องมืออย่างนุ่มนวล (ประมาณ 5 ก.ก.) การใช้แรงมากเกินไปไม่ได้ทำให้ความถี่ในการเจาะเพิ่มขึ้น แต่จะเป็นการลดประสิทธิภาพของเครื่องมือและอาจจะทำให้อายุการใช้งานของเครื่องมือสั้นลง

อย่าเจาะหรือขันจนลึกเกินไปเพื่อป้องกันไม่ให้เกิดการเสียหายต่อฝาครอบกันฝุ่น

จับเครื่องมือให้มั่นคงโดยใช้สองมือตลอดเวลาและรักษาทำ ยืนให้มั่นคง (รูป H) ใช้เครื่องมือที่ประกอบด้วยจับด้านข้าง อย่างถูกต้องทุกครั้ง

การเปิดและปิดเครื่อง (รูป A)

D25102(K)/D25103K/D25104K

- ถ้าต้องการให้เครื่องมือทำงาน ให้กดสวิตช์ปรับความเร็ว (1) แรงที่กดบนสวิตช์ปรับความเร็วจะเป็นตัวกำหนดความเร็วของเครื่องมือ
- ในการใช้งานแบบต่อเนื่อง ให้กดสวิตช์ปรับความเร็วค้างไว้ กดปุ่มล็อก (2) แล้วจึงปล่อยสวิตช์
- เมื่อต้องการหยุดเครื่องมือ ให้ปล่อยสวิตช์
- การหยุดการทำงานแบบต่อเนื่อง ให้กดสวิตช์ชั่วคราวและปล่อยออก ให้ปิดสวิตช์ของเครื่องมือก่อนที่จะถอดปลั๊กทุกครั้งเพื่อเสร็จสิ้นการใช้งาน

D25203K

- ถ้าต้องการให้เครื่องมือทำงาน ให้กดสวิตช์ปรับความเร็ว (1) แรงที่กดบนสวิตช์ปรับความเร็วจะเป็นตัวกำหนดความเร็วของเครื่องมือ
- เมื่อต้องการหยุดเครื่องมือ ให้ปล่อยสวิตช์
- ถ้าต้องการล็อกเครื่องมือในตำแหน่งปิด เลื่อนสวิตช์เลื่อนปรับเดินหน้า/ถอยหลัง (3) ไปยังตำแหน่งตรงกลาง

การเจาะกระแทก (รูป A)

การเจาะด้วยดอกสว่านแบบตัน (Solid bit)

- หมุนสวิตช์เลือกโหมด (4) ไปที่ตำแหน่ง "เจาะกระแทก"
- ใส่ดอกสว่านที่เหมาะสม เพื่อให้ได้ประสิทธิภาพสูงสุด ให้ใช้ดอกสว่านคาร์ไบด์
- ปรับตามจับด้านข้าง (9) ตามที่ต้องการ
- ให้ตั้งความลึกในการเจาะตามความจำเป็น
- ทำจุดเครื่องหมายบนตำแหน่งที่จะทำการเจาะ
- ตั้งดอกสว่านให้ตรงกับจุดที่จะเจาะและเปิดสวิตช์ของเครื่อง
- ให้ปิดสวิตช์เครื่องก่อนที่จะถอดปลั๊กทุกครั้งเพื่อเสร็จสิ้นการใช้งาน

การเจาะด้วยดอกสว่านเจาะคอนกรีต (Core bit)

- หมุนสวิตช์เลือกระบบการทำงาน (3) ไปที่ตำแหน่ง "เจาะกระแทก"
- ปรับตามจับด้านข้าง (9) ตามที่ต้องการ
- ใส่ดอกสว่านเจาะคอนกรีตที่เหมาะสม
- ใส่ดอกเจาะนำศูนย์เข้าไปในดอกสว่านเจาะคอนกรีต
- ตั้งดอกเจาะนำศูนย์ให้ตรงจุดที่จะเจาะและกดสวิตช์ปรับความเร็ว (1) เจาะจนกว่าดอกสว่านจะเจาะเข้าไปในคอนกรีตประมาณ 1 ซม.
- หยุดเจาะและถอดดอกเจาะนำศูนย์ออก ใส่ดอกสว่านเจาะคอนกรีตกลับเข้าไปในรูและทำการเจาะต่อ
- ในการเจาะผ่านโครงสร้างที่หนากว่าความลึกของดอกสว่าน ให้แบ่งคอนกรีตออกเป็นช่วง ๆ เพื่อหลีกเลี่ยงการแตกของคอนกรีตรอบ ๆ รูที่เจาะ ให้เจาะรูโดยใช้ดอกเจาะนำให้ทะลุผ่านโครงสร้างดังกล่าวก่อน หลังจากนั้นให้เจาะคอนกรีตครึ่งทางจากแต่ละด้านเข้ามา
- ให้ปิดสวิตช์เครื่องก่อนที่จะถอดปลั๊กทุกครั้งเพื่อเสร็จสิ้นการใช้งาน

การใช้งานเจาะแบบหมุน (รูป A)

- หมุนสวิตช์เลือกระบบการทำงาน (4) ไปที่ตำแหน่ง "การเจาะแบบหมุน"
- ปฏิบัติตามข้อแนะนำการใช้งานที่เหมาะสมกับเครื่องมือของท่านดังต่อไปนี้:
 - ทำการประกอบอะแดปเตอร์หัวจับดอกสว่าน/หัวจับดอกสว่าน (D25102(K)/D25103K/D25203K).
 - ทำการเปลี่ยนที่ยึดเครื่องมือด้วยหัวจับดอกสว่าน (D25104K).
- ทำการเจาะด้วยวิธีการเดียวกับการเจาะกระแทก



ห้ามใช้หัวจับดอกสว่านมาตรฐานกับระบบการเจาะกระแทก

การใช้งานสำหรับขั้นสูง (รูป A)

- หมุนสวิตช์เลือกระบบการทำงาน (4) ไปที่ตำแหน่ง "การเจาะแบบหมุน"
- เลือกทิศทางการหมุน
- ปฏิบัติตามข้อแนะนำการใช้งานที่เหมาะสมกับเครื่องมือของท่านตามด้านล่างนี้:
 - ใส่อะแดปเตอร์สำหรับการขั้นสูง SDS-plus® แบบพิเศษสำหรับใช้กับดอกไขควงแบบหกเหลี่ยม (D25102(K)/D25103K/D25203K)
 - ทำการเปลี่ยนที่ยึดเครื่องมือด้วยหัวจับดอกสว่าน (D25104K)

ภาษาไทย

- ใส่ดอกไขควงที่เหมาะสม ในการขันสกรูหัวร่องให้ไขควงสวนที่มีปลอกนํ้า
- คอย ๆ กดสวิตช์ปรับความเร็ว (1) เพื่อป้องกันหัวสกรูเสียหาย ในการหมุนกลับทิศทาง (LH) เครื่องจะลดความเร็วรอบลงโดยอัตโนมัติเพื่อให้สามารถถอนสกรูได้ง่าย
- เมื่อสกรูจมลงไปในพื้นที่แล้ว ให้ปล่อยสวิตช์ปรับความเร็วเพื่อป้องกันหัวสกรูไม่ให้กินเข้าไปในพื้นที่



การหลอ่สน

เครื่องมือไฟฟ้าของท่านไม่จำเป็นต้องมีการหลอ่สน

อุปกรณ์เสริมและอุปกรณ์ติดตั้งจะต้องได้รับการหลอ่สนรอบอุปกรณ์ SDS-plus®

D25103K/D25104K/D25203K - การถากและการสกัด (รูป A)

- หมุนสวิตช์เลือกโหมด (4) ไปที่ตำแหน่ง "กระแทกเพียงอย่างเดียว"
- ใส่ดอกสกัดที่เหมาะสมและหมุนด้วยมือให้ล็อกยังตำแหน่งหนึ่งใน 51 ตำแหน่ง
- ปรับด้ามจับด้านข้าง (9) ตามที่ต้องการ
- เปิดสวิตช์เครื่องและเริ่มใช้งาน
- ให้มีดสวิตช์เครื่องก่อนที่จะถอดปลั๊กทุกครั้งที่จะเสร็จสิ้นการใช้งาน



การทำความสะดวก

อย่าให้ข่องระบายอากาศอุดตันและหมั่นทำความสะอาดตัวเครื่องเป็นประจำด้วยผ้านุ่ม



- ห้ามใช้เครื่องมือนี้ในการผสมหรือบีบของเหลวที่ติดไฟหรือระเบิดได้ง่าย (เช่น น้ำมันเบนซิน แอลกอฮอล์ ฯลฯ)
- ห้ามผสมหรือคนของเหลวไวไฟที่มีป้ายกำกับอยู่

มีดอกสว่านและดอกสกัด SDS-plus® ให้เลือกใช้หลายประเภท

สอบถามข้อมูลเพิ่มเติมเกี่ยวกับอุปกรณ์เสริมที่เหมาะสมได้จากตัวแทนจำหน่าย

การบำรุงรักษา

เครื่องมือไฟฟ้า DEWALT ของท่านได้รับการออกแบบให้สามารถใช้งานได้เป็นระยะเวลายาวนานโดยไม่ต้องมีการบำรุงรักษามากนัก

การดูแลและทำความสะอาดเครื่องมืออย่างถูกต้องจะช่วยให้สามารถใช้งานเครื่องมือได้อย่างพึงพอใจและต่อเนื่อง

- เครื่องมือนี้ไม่ใช่เครื่องมือที่ผู้ใช้สามารถซ่อมได้เอง ให้นำเครื่องไปที่ตัวแทนซ่อมที่ได้รับอนุญาตจาก DEWALT หลังจากที่ได้ใช้งานไปประมาณ 40 ชั่วโมง ถ้ามีปัญหาในการใช้งานก่อน 40 ชั่วโมง ให้ติดต่อตัวแทนซ่อมที่ได้รับอนุญาตจาก DEWALT
- เครื่องมือนี้จะปิดลงเองโดยอัตโนมัติเมื่อแปรงถ่านสึก



เครื่องมือที่ไม่ใช่แล้วกับสิ่งแวดล้อม

นำเครื่องมือที่ไม่ใช่แล้วของท่านไปยังตัวแทนซ่อมที่ได้รับอนุญาตจาก DEWALT ซึ่งจะทำการกำจัดเครื่องมือของท่านอย่างปลอดภัยต่อสภาพแวดล้อม