

**DEWALT®**

[www.DEWALT.eu](http://www.DEWALT.eu)

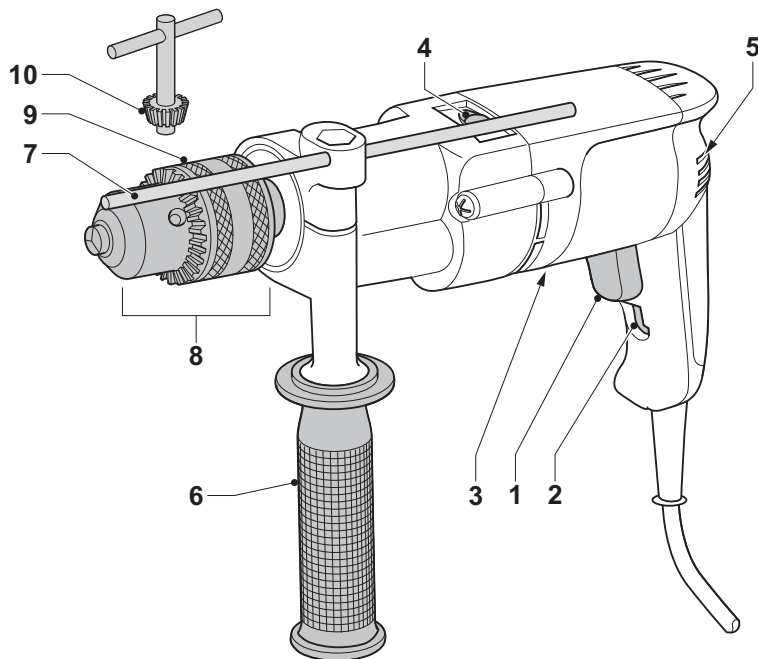
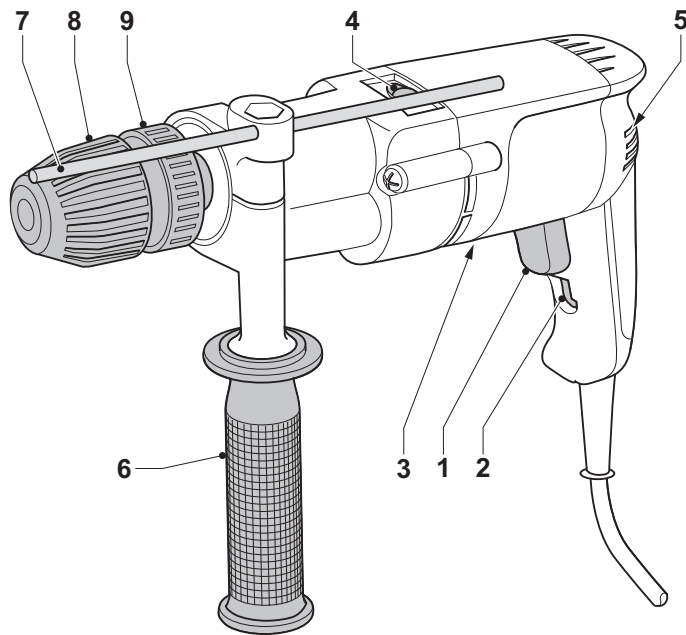
**D21710**

**D21711**

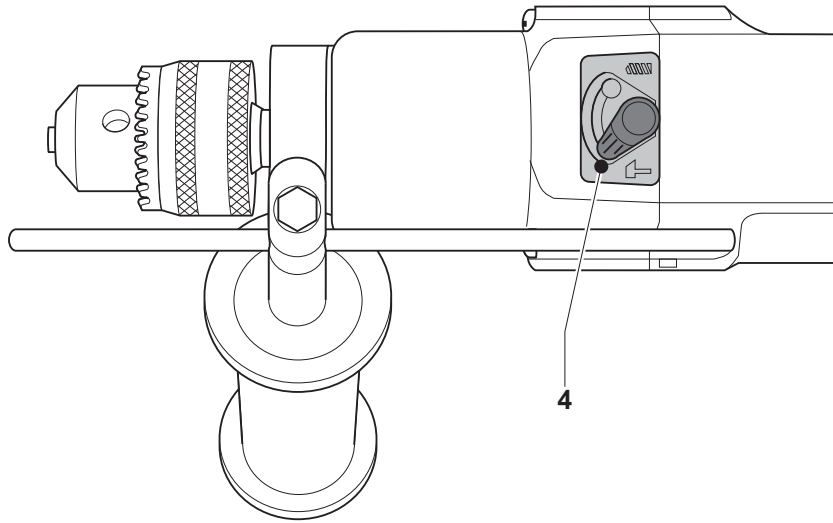
**D21716**

**D21717**

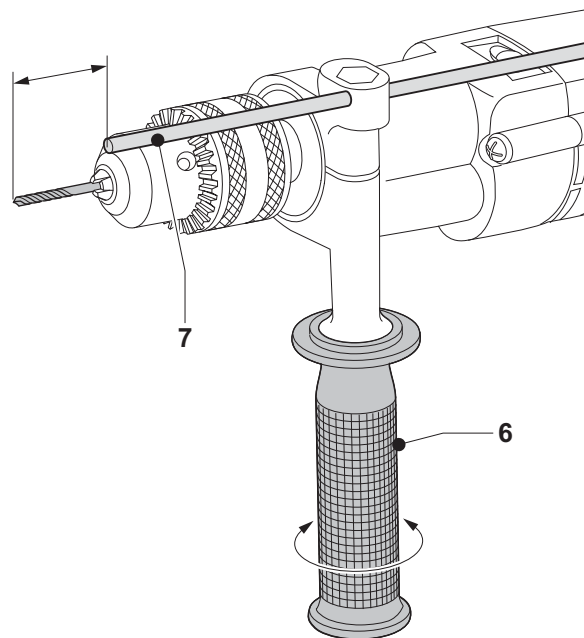




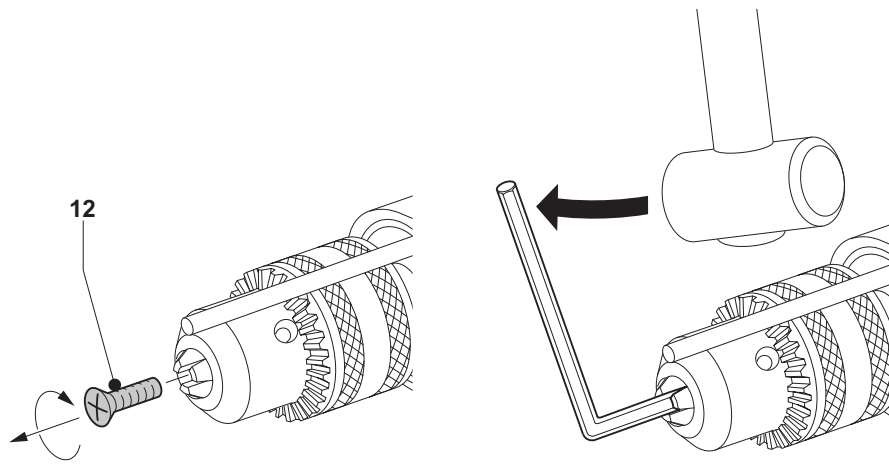
**A**



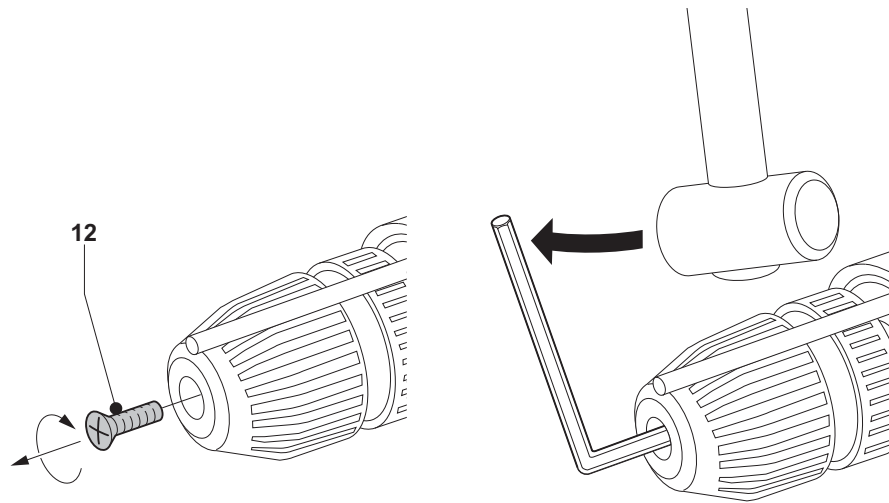
**B**



**C**



**D**



**E**

## ENGLISH

# PERCUSSION DRILL

## D21710/D21711/D21716/D21717

### Congratulations!

You have chosen a DEWALT Power Tool. Years of experience, thorough product development and innovation make DEWALT one of the most reliable partners for professional Power Tool users.

### Technical data

		D21710	D21716
		D21711	D21717
Voltage	V	230	230
(U.K. & Ireland only)	V	230/115	230/115
Power input	W	600	701
No-load speed	min <sup>-1</sup>	0 - 2,600	0 - 2,600
No load impact	min <sup>-1</sup>	0 - 44,200	0 - 44,200
Maximum drilling range in steel/wood/concrete	mm	13/25/16	13/30/16
Chuck spindle thread size	UNF	1/2" x 20	1/2" x 20
Collar diameter	mm	43	43
Maximum chuck capacity	mm	13	13
Weight	kg	1.9	1.9

L <sub>pa</sub> (sound pressure)	dB(A)	94	95
K <sub>pa</sub> (sound pressure uncertainty K)	dB(A)	3.9	3.1
L <sub>wa</sub> (acoustic power)	dB(A)	105	106
K <sub>wa</sub> (acoustic power uncertainty K)	dB(A)	3.9	3.1

Vibration total values (triax vector sum) determined according to EN 60745:

Hammer Drilling:	m/s <sup>2</sup>	18.5	22.9
Uncertainty K:	m/s <sup>2</sup>	2.1	2.9
Drilling into Metal:	m/s <sup>2</sup>	2.1	2.8
Uncertainty K:	m/s <sup>2</sup>	1.5	1.5
Screwdriving:	m/s <sup>2</sup>	1.9	1.5
Uncertainty K:	m/s <sup>2</sup>	1.5	1.5

The vibration emission level given in this information sheet has been measured in accordance with a standardised test given in EN 60745 and may be used to compare one tool with another. It may be used for a preliminary assessment of exposure.



**WARNING:** The declared vibration emission level represents the main applications of the tool. However if the tool is used for different applications, with different accessories or poorly maintained, the vibration emission may differ. This may significantly increase the exposure level over the total working period.

An estimation of the level of exposure to vibration should also take into account the times when the tool is switched off or when it is running but not actually doing the job. This may significantly reduce the exposure level over the total working period.

Identify additional safety measures to protect the operator from the effects of vibration such as: maintain the tool and the accessories, keep the hands warm, organisation of work patterns.

### Fuses:

Europe	230 V tools	10 Amperes, mains
U.K. & Ireland	230 V tools	13 Amperes, in plugs

### Definitions: Safety Guidelines

The definitions below describe the level of severity for each signal word. Please read the manual and pay attention to these symbols.



**DANGER:** Indicates an imminently hazardous situation which, if not avoided, will result in **death or serious injury**.



**WARNING:** Indicates a potentially hazardous situation which, if not avoided, could result in **death or serious injury**.



**CAUTION:** Indicates a potentially hazardous situation which, if not avoided, may result in **minor or moderate injury**.

**CAUTION:** Used without the safety alert symbol indicates a potentially hazardous situation which, if not avoided, may result in **property damage**.



Denotes risk of electric shock.



Denotes risk of fire.

**EC-Declaration of Conformity****D21710/D21711/D21716/D21717**

DeWALT declares that these products described under "technical data" have been designed in compliance with:

98/37/EC (until 28th. December 2009);  
2004/108/EC, 2006/42/EC (from 29th. December 2009); 2006/95/EC; EN 60745-1; EN 60745-2-1;  
EN 60745-2-2; EN 55014-1; EN 55014-2;  
EN 61000-3-2 and EN 61000-3-3.

For more information, please contact DEWALT at the following address or refer to the back of the manual.

The undersigned is responsible for compilation of the technical file and makes this declaration on behalf of DEWALT.

Horst Grossmann  
Vice President Engineering and Product Development  
DEWALT, Richard-Klinger-Straße 11,  
D-65510, Idstein, Germany  
23.06.2008



**WARNING:** To reduce the risk of injury, read the instruction manual.

**General Power Tool Safety Warnings**

**WARNING! Read all safety warnings and instructions** Failure to follow the warnings and instructions may result in electric shock, fire and/or serious injury.

**SAVE ALL WARNINGS AND INSTRUCTIONS FOR FUTURE REFERENCE**

The term "power tool" in the warnings refers to your mains-operated (corded) power tool or battery-operated (cordless) power tool.

**1) WORK AREA SAFETY**

- Keep work area clean and well lit.** Cluttered or dark areas invite accidents.
- Do not operate power tools in explosive atmospheres, such as in the presence of flammable liquids, gases or dust.** Power tools create sparks which may ignite the dust or fumes.
- Keep children and bystanders away while operating a power tool.** Distractions can cause you to lose control.

**2) ELECTRICAL SAFETY**

- Power tool plugs must match the outlet. Never modify the plug in any way. Do not use any adapter plugs with earthed (grounded) power tools.** Unmodified plugs and matching outlets will reduce risk of electric shock.
- Avoid body contact with earthed or grounded surfaces such as pipes, radiators, ranges and refrigerators.** There is an increased risk of electric shock if your body is earthed or grounded.
- Do not expose power tools to rain or wet conditions.** Water entering a power tool will increase the risk of electric shock.
- Do not abuse the cord. Never use the cord for carrying, pulling or unplugging the power tool. Keep cord away from heat, oil, sharp edges or moving parts.** Damaged or entangled cords increase the risk of electric shock.
- When operating a power tool outdoors, use an extension cord suitable for outdoor use.** Use of a cord suitable for outdoor use reduces the risk of electric shock.
- If operating a power tool in a damp location is unavoidable, use a residual current device (RCD) protected supply.** Use of an RCD reduces the risk of electric shock.

**3) PERSONAL SAFETY**

- Stay alert, watch what you are doing and use common sense when operating a power tool. Do not use a power tool while you are tired or under the influence of drugs, alcohol or medication.** A moment of inattention while operating power tools may result in serious personal injury.
- Use personal protective equipment. Always wear eye protection.** Protective equipment such as dust mask, non-skid safety shoes, hard hat, or hearing protection used for appropriate conditions will reduce personal injuries.
- Prevent unintentional starting. Ensure the switch is in the off position before connecting to power source and/or battery pack, picking up or carrying the tool.** Carrying power tools with your finger on the switch or energising power tools that have the switch on invites accidents.
- Remove any adjusting key or wrench before turning the power tool on.** A wrench or a key left attached to a rotating part of the power tool may result in personal injury.
- Do not overreach. Keep proper footing and balance at all times.** This enables

## ENGLISH

better control of the power tool in unexpected situations.

- f) **Dress properly. Do not wear loose clothing or jewellery. Keep your hair, clothing and gloves away from moving parts.** Loose clothes, jewellery or long hair can be caught in moving parts.
- g) **If devices are provided for the connection of dust extraction and collection facilities, ensure these are connected and properly used.** Use of dust collection can reduce dust-related hazards.

#### 4) POWER TOOL USE AND CARE

- a) **Do not force the power tool. Use the correct power tool for your application.** The correct power tool will do the job better and safer at the rate for which it was designed.
- b) **Do not use the power tool if the switch does not turn it on and off.** Any power tool that cannot be controlled with the switch is dangerous and must be repaired.
- c) **Disconnect the plug from the power source and/or the battery pack from the power tool before making any adjustments, changing accessories, or storing power tools.** Such preventive safety measures reduce the risk of starting the power tool accidentally.
- d) **Store idle power tools out of the reach of children and do not allow persons unfamiliar with the power tool or these instructions to operate the power tool.** Power tools are dangerous in the hands of untrained users.
- e) **Maintain power tools. Check for misalignment or binding of moving parts, breakage of parts and any other condition that may affect the power tool's operation. If damaged, have the power tool repaired before use.** Many accidents are caused by poorly maintained power tools.
- f) **Keep cutting tools sharp and clean.** Properly maintained cutting tools with sharp cutting edges are less likely to bind and are easier to control.
- g) **Use the power tool, accessories and tool bits etc., in accordance with these instructions taking into account the working conditions and the work to be performed.** Use of the power tool for operations different from those intended could result in a hazardous situation.

#### 5) SERVICE

- a) **Have your power tool serviced by a qualified repair person using only identical replacement parts.** This will ensure that the safety of the power tool is maintained.

#### Additional safety instructions for drills

- **Wear ear protectors.** Exposure to noise can cause hearing loss.
- **Use auxiliary handles supplied with the tool.** Loss of control can cause personal injury.
- **Hold power tool by insulated gripping surfaces only, when performing an operation where the cutting accessory may contact hidden wiring or its own cord.** Cutting accessory contacting a "live" wire may make exposed metal parts of the power tool "live" and shock the operator.

#### Package contents

The package contains:

- 1 Percussion drill
- 1 Side handle
- 1 Depth gauge
- 1 Chuck key (D21710/D21716)
- 1 Kitbox (K-models only)
- 1 Instruction manual
- 1 Exploded drawing

- Check for damage to the tool, parts or accessories which may have occurred during transport.
- Take the time to thoroughly read and understand this manual prior to operation.

#### Description (fig. A)



**WARNING:** Never modify the power tool or any part of it. Damage or personal injury could result.

#### INTENDED USE

Your Percussion Drill has been designed for professional drilling and screwdriving applications.

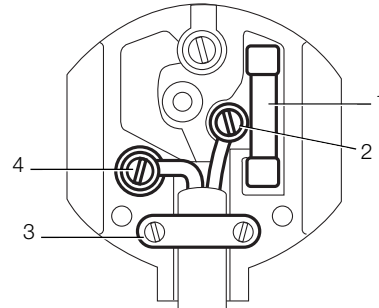
**DO NOT** use under humid conditions or in presence of flammable liquids or gases.

These percussion drills are professional power tools.

**DO NOT** let children come into contact with the tool. Supervision is required when inexperienced operators use this tool.



- 1 Variable speed switch
- 2 Lock-on button
- 3 Forward/reverse slider
- 4 Mode selector
- 5 Ventilation slots
- 6 Side handle
- 7 Depth adjustment rod
- 8 Keyed chuck (D21710/D21716)
- 8 Keyless chuck (D21711/D21717)
- 9 Sleeve
- 10 Chuck key



**Electrical safety**

The electric motor has been designed for one voltage only. Always check that the power supply corresponds to the voltage on the rating plate.



Your DEWALT tool is double insulated in accordance with EN 60745; therefore no earth wire is required.

In case of cord replacement the tool must only be repaired by an authorized service agent or by qualified electrician.

**Mains plug replacement (U.K. & Ireland only)**

- Should your mains plug need replacing and you are competent to do this, proceed as instructed below. If you are in doubt, contact an authorized DEWALT repair agent or a qualified electrician.
- Disconnect the plug from the supply.
- Cut off the plug and dispose of it safely; a plug with bared copper conductors is dangerous if engaged in a live socket outlet.
- Only fit 13 Amperes BS1363A approved plugs fitted with the correctly rated fuse (1).
- The cable wire colours, or a letter, will be marked at the connection points of most good quality plugs. Attach the wires to their respective points in the plug (see below). Brown is for Live (L) (2) and Blue is for Neutral (N) (4).
- Before replacing the top cover of the mains plug ensure that the cable restraint (3) is holding the outer sheath of the cable firmly and that the two leads are correctly fixed at the terminal screws.



**WARNING:** Never use a light socket. Never connect the live (L) or neutral (N) wires to the earth pin marked E or  $\perp$ .

For 115 V units with a power rating exceeding 1500 W, we recommend to fit a plug to BS4343 standard.



**WARNING:** 115 V units have to be operated via a fail-safe isolating transformer with an earth screen between the primary and secondary winding.

**Using an extension cable**

If an extension cable is required, use an approved extension cable suitable for the power input of this tool (see technical data). The minimum conductor size is 1.5 mm<sup>2</sup>. When using a cable reel, always unwind the cable completely. Also refer to the table below.

Conductor size (mm <sup>2</sup> )		Cable rating (Amperes)					
0.75		6					
1.00		10					
1.50		15					
2.50		20					
4.00		25					
		Cable length (m)					
		7.5	15	25	30	45	60
Voltage	Amperes	Cable rating (Amperes)					
115	0 - 2.0	6	6	6	6	6	10
	2.1 - 3.4	6	6	6	6	15	15
	3.5 - 5.0	6	6	10	15	20	20
	5.1 - 7.0	10	10	15	20	20	25
	7.1 - 12.0	15	15	20	25	25	-
	12.1 - 20.0	20	20	25	-	-	-

## ENGLISH

230	0 - 2.0	6	6	6	6	6	6
	2.1 - 3.4	6	6	6	6	6	6
	3.5 - 5.0	6	6	6	6	10	15
	5.1 - 7.0	10	10	10	10	15	15
	7.1 - 12.0	15	15	15	15	20	20
	12.1 - 20.0	20	20	20	20	25	-

### Assembly and adjustment



**WARNING:** To reduce the risk of injury, turn unit off and disconnect machine from power source before installing and removing accessories, before adjusting or changing set-ups or when making repairs. Be sure the trigger switch is in the OFF position. An accidental start-up can cause injury.

### Selecting the operating mode (fig. B)

The tool can be used in two operating modes:



Rotary drilling:  
for steel, wood and plastics.



Percussion drilling:  
simultaneous rotating and impacting for  
concrete and masonry drilling operations.

- Select the required operating mode by rotating the mode selector (4) to the required position.

### Inserting and removing a bit (fig. A)

#### Keyless chuck

- Open the chuck by turning the sleeve (9) counterclockwise and insert the bit shank.
- Tighten firmly by turning the sleeve clockwise.

#### Keyed chuck

- Open the chuck by turning the sleeve (9) counterclockwise and insert the bit shank.
- Put the chuck key (10) into each hole in the side of the chuck and turn clockwise until tight.
- To remove the bit, proceed in reverse order.

### Fitting the side handle (fig. A)

The side handle (6) can be fitted to suit both RH- and LH-users.



**WARNING:** Always use the drill with the side handle properly assembled.

- Loosen the side handle.
- For RH-users, slide the side handle clamp over the collar behind the chuck, handle at the left.
- For LH-users, slide the side handle clamp over the collar behind the chuck, handle at the right.
- Rotate the side handle to the desired position and tighten the handle.

### Setting the drilling depth (fig. C)

- Insert the required drill bit into the chuck.
- Slacken the side handle (6).
- Fit the depth adjustment rod (7) through the hole in the side handle clamp.
- Adjust the drilling depth as shown.
- Tighten the side handle.

### Forward/reverse slider (fig. A)

- To select forward or reverse rotation, use the forward/reverse-switch (3) (see arrow on tool).



**WARNING:** Always wait until the motor has come to a complete standstill before changing the direction of rotation.

### Chuck removal (fig. D & E)

- Open the chuck jaws as far as possible.
- Insert a screwdriver into the chuck and remove the chuck retaining screw (12) by turning clockwise.
- Tighten an Allen key into the chuck and strike it with a hammer as shown.

### Instructions for use



#### **WARNING:**

- Always observe the safety instructions and applicable regulations.
- Be aware of the location of pipework and wiring.
- Apply only a gentle pressure to the tool. Excessive force does not speed up drilling but decreases tool performance and may shorten tool life.

### Prior to operation:

- Insert the appropriate bit.
- Mark the spot where the hole is to be drilled.

**Switching on and off (fig. A)**

- To run the tool, press the variable speed switch (1). The pressure exerted on the variable speed switch determines the tool speed.
- If necessary, press the lock-on button (2) for continuous operation and release the switch. The lock-on button works only in full speed, forward rotation.
- To stop the tool, release the switch.
- To stop the tool in continuous operation, press the switch briefly and release it. Always switch off the tool when work is finished and before unplugging.

**Screwdriving**

- Select forward or reverse rotation.

**Percussion drilling (fig. A)**

- Select the percussion mode.
- Press the switch (1).

**Rotary drilling (fig. A)**

- Select the rotary drilling mode.
- Proceed as described for percussion drilling.

**MAINTENANCE**

Your DEWALT power tool has been designed to operate over a long period of time with a minimum of maintenance. Continuous satisfactory operation depends upon proper tool care and regular cleaning.



**WARNING: To reduce the risk of injury, turn unit off and disconnect machine from power source before installing and removing accessories, before adjusting or changing set-ups or when making repairs. Be sure the trigger switch is in the OFF position. An accidental start-up can cause injury.**



**Lubrication**

Your power tool requires no additional lubrication.



**Cleaning**



**WARNING:** Blow dirt and dust out of the main housing with dry air as often as dirt is seen collecting in and around the air vents. Wear approved eye protection and approved dust mask when performing this procedure.



**WARNING:** Never use solvents or other harsh chemicals for cleaning the non-metallic parts of the tool. These chemicals may weaken the materials used in these parts. Use a cloth dampened only with water and mild soap. Never let any liquid get inside the tool; never immerse any part of the tool into a liquid.

**Optional Accessories**



**WARNING:** Since accessories, other than those offered by DEWALT, have not been tested with this product, use of such accessories with this tool could be hazardous. To reduce the risk of injury, only DEWALT, recommended accessories should be used with this product.

Consult your dealer for further information on the appropriate accessories.

**Protecting the environment**



Separate collection. This product must not be disposed of with normal household waste.

Should you find one day that your DEWALT product needs replacement, or if it is of no further use to you, do not dispose of it with household waste. Make this product available for separate collection.



Separate collection of used products and packaging allows materials to be recycled and used again. Re-use of recycled materials helps prevent environmental pollution and reduces the demand for raw materials.

Local regulations may provide for separate collection of electrical products from the household, at municipal waste sites or by the retailer when you purchase a new product.

## ENGLISH

DEWALT provides a facility for the collection and recycling of DEWALT products once they have reached the end of their working life. To take advantage of this service please return your product to any authorised repair agent who will collect them on our behalf.

You can check the location of your nearest authorised repair agent by contacting your local DEWALT office at the address indicated in this manual. Alternatively, a list of authorised DEWALT repair agents and full details of our after-sales service and contacts are available on the Internet at: [www.2helpU.com](http://www.2helpU.com).

## GUARANTEE

### • 30 DAY NO RISK SATISFACTION GUARANTEE •

If you are not completely satisfied with the performance of your DEWALT tool, simply return it within 30 days, complete as purchased, to the point of purchase, for a full refund or exchange. Proof of purchase must be produced.

### • ONE YEAR FREE SERVICE CONTRACT •

If you need maintenance or service for your DEWALT tool, in the 12 months following purchase, it will be undertaken free of charge at an authorized DEWALT repair agent. Proof of purchase must be produced. Includes labour and spare parts for Power Tools. Excludes accessories.

### • ONE YEAR FULL WARRANTY •

If your DEWALT product becomes defective due to faulty materials or workmanship within 12 months from the date of purchase, we guarantee to replace all defective parts free of charge or, at our discretion, replace the unit free of charge provided that:

- The product has not been misused.
- Repairs have not been attempted by unauthorized persons.
- Proof of purchase date is produced. This guarantee is offered as an extra benefit and is additional to consumers statutory rights.

For the location of your nearest authorized DEWALT repair agent, please use the appropriate telephone number on the back of this manual. Alternatively, a list of authorized DEWALT repair agents and full details on our after-sales service are available on the Internet at [www.2helpU.com](http://www.2helpU.com).







<b>Belgique et Luxembourg België en Luxemburg</b>	Black & Decker - DEWALT Nieuwlandlaan 7, IZ Aarschot B156 B-3200 Aarschot	Tel: +32 (0)015 - 15 47 9211 Fax: +32 (0)015 - 15 47 9210 www.dewalt.be
<b>Danmark</b>	DEWALT Sluseholmen 2-4 2450 København SV	Tlf: 70201511 Fax: 70224910 www.dewalt.dk
<b>Deutschland</b>	DEWALT Richard-Klinger-Straße 65510 Idstein	Tel: 06126-21-1 Fax: 06126-21-2770 www.dewalt.de
<b>Ελλάς</b>	Black & Decker (Hellas) S.A. Στραβωνος 7 & Βουλιαγμένης 159 Γλυφάδα 16674, Αθήνα	Τηλ: (01) 8981-616 Φάξ: (01) 8983-570 Service: (01) 8982-630
<b>España</b>	DEWALT Parque de Negocios "Mas Blau" Edificio Muntadas, c/Bergadà, 1, Of. A6 08820 El Prat de Llobregat (Barcelona)	Tel: 934 797 400 Fax: 934 797 439 www.dewalt.es
<b>France</b>	DEWALT Le Paisy BP 21, 69571 Dardilly Cedex	Tel: 472 20 39 72 Fax: 472 20 39 02 www.dewalt.fr
<b>Schweiz Suisse Svizzera</b>	DEWALT In der Lübenzen 40 8902 Urdorf	Tel: 01 - 730 67 47 Fax: 01 - 730 70 67 www.dewalt.ch
<b>Ireland</b>	DEWALT Calpe House Rock Hill Black Rock, Co. Dublin	Tel: 00353-2781800 Fax: 00353-2781811 www.dewalt.ie
<b>Italia</b>	DEWALT Viale Elvezia 2 20052 Monza (Mi)	Tel: 800-014353 Fax: 039-2387592 www.dewalt.it
<b>Nederlands</b>	Black & Decker - DEWALT Joulehof 12 4600 AB Bergen Op Zoom	Tel: 0164 283000 Fax: 0164 283100 www.dewalt.nl
<b>Norge</b>	DEWALT Postboks 4814, Nydalen 0422 Oslo	Tel: 22 90 99 00 Fax: 22 90 99 01 www.dewalt.no
<b>Österreich</b>	DEWALT Werkzeugevertriebs GmbH Erlaerstraße 165, Postfach 320,1231 Wien	Tel: 01 - 66116 - 0 Fax: 01 - 66116 - 14 www.dewalt.at
<b>Portugal</b>	DEWALT Rua Egas Moniz 173 João do Estoril, 2766-651 Estoril	Tel: 214 66 75 00 Fax: 214 66 75 75 www.dewalt.pt
<b>Suomi</b>	DEWALT Oy Tekniikantie 12 02150 Espoo, Finland	Puh: 010 400 430 Faksi: 0800 411 340 www.dewalt.fi
	DEWALT Oy Teknikvägen 12 02150 Esbo, Finland	Tel: 010 400 430 Fax: 0800 411 340 www.dewalt.fi
<b>Sverige</b>	DEWALT Box 94 431 22 Mölndal	Tel: 031 68 61 00 Fax: 031 68 60 08 www.dewalt.se
<b>Türkiye</b>	Merkez Servis Defterdar Mah.Savaklar Cad.No:15 34050 Edimekapı, Eyüp - Istanbul	Tel: 0212 533 52 55 Faks: 0212 533 10 05 www.dewalt.com.tr
<b>United Kingdom</b>	DEWALT 210 Bath Road Slough, Berks SL1 3YD	Tel: 01753-56 70 55 Fax: 01753-57 21 12 www.dewalt.co.uk