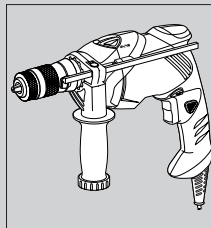
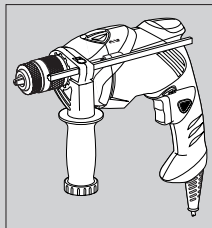
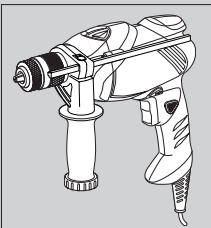
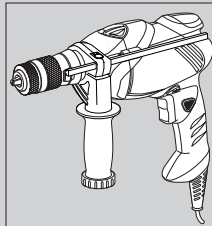
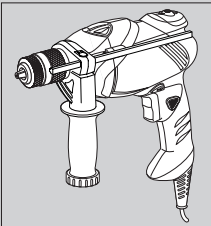
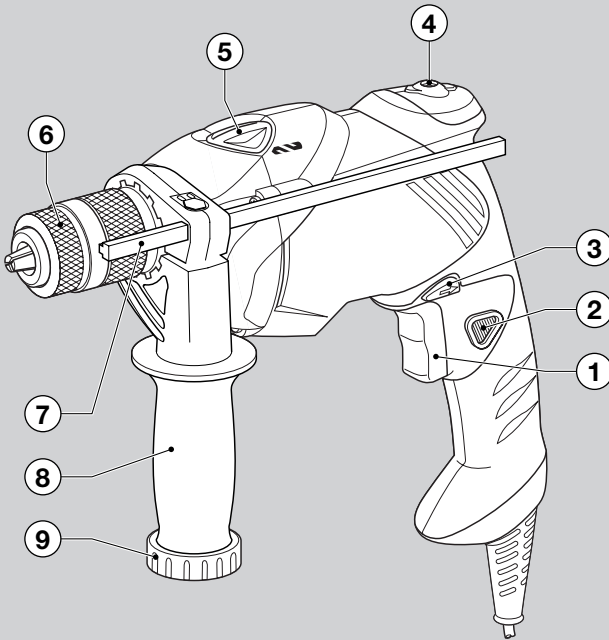
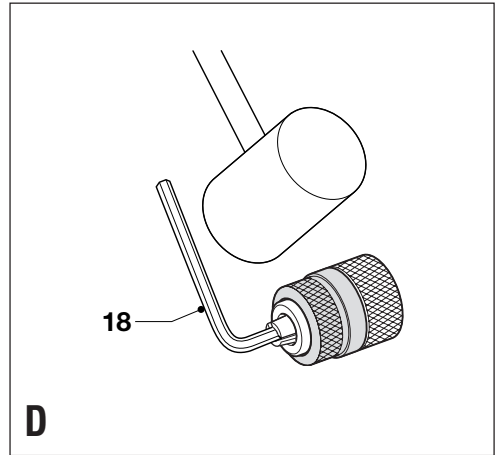
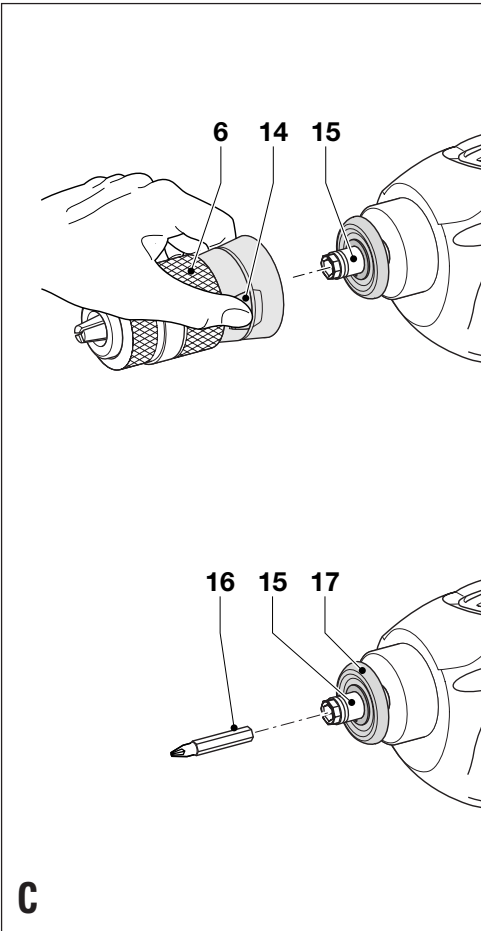
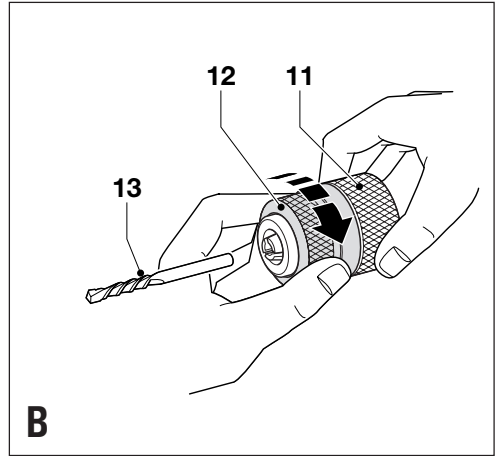
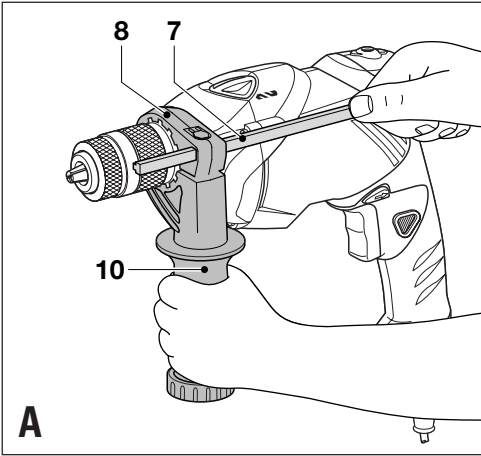




BLACK & DECKER®



English	3
Deutsch	7
Français	11
Italiano	15
Nederlands	19
Español	23
Português	28
Svenska	32
Norsk	36
Dansk	40
Suomi	44
Ελληνικά	48



Intended use

Your Black & Decker hammer drill has been designed for drilling in wood, metal, plastics, and masonry as well as for screwdriving purposes. This tool is intended for consumer use only.

General safety rules

Warning! Read all instructions. Failure to follow all instructions listed below may result in electric shock, fire and/or serious injury. The term “power tool” in all of the warnings listed below refers to your mains operated (corded) power tool or battery operated (cordless) power tool.

SAVE THESE INSTRUCTIONS.

1. Work area

- a. **Keep work area clean and well lit.** Cluttered and dark areas invite accidents.
- b. **Do not operate power tools in explosive atmospheres, such as in the presence of flammable liquids, gases or dust.** Power tools create sparks which may ignite the dust or fumes.
- c. **Keep children and bystanders away while operating a power tool.** Distractions can cause you to lose control.

2. Electrical safety

- a. **Power tool plugs must match the outlet. Never modify the plug in any way. Do not use any adapter plugs with earthed (grounded) power tools.** Unmodified plugs and matching outlets will reduce risk of electric shock.
- b. **Avoid body contact with earthed or grounded surfaces such as pipes, radiators, ranges and refrigerators.** There is an increased risk of electric shock if your body is earthed or grounded.
- c. **Do not expose power tools to rain or wet conditions.** Water entering a power tool will increase the risk of electric shock.
- d. **Do not abuse the cord. Never use the cord for carrying, pulling or unplugging the power tool. Keep cord away from heat, oil, sharp edges or moving parts.** Damaged or entangled cords increase the risk of electric shock.
- e. **When operating a power tool outdoors, use an extension cord suitable for outdoor use.** Use of a cord suitable for outdoor use reduces the risk of electric shock.

3. Personal safety

- a. **Stay alert, watch what you are doing and use common sense when operating a power tool. Do not use a power tool while you are tired or under the influence of drugs, alcohol or medication.** A moment of inattention while operating power tools may result in serious personal injury.

b. Use safety equipment. Always wear eye protection.

Safety equipment such as dust mask, non-skid safety shoes, hard hat, or hearing protection used for appropriate conditions will reduce personal injuries.

- c. **Avoid accidental starting. Ensure the switch is in the off position before plugging in.** Carrying power tools with your finger on the switch or plugging in power tools that have the switch on invites accidents.
- d. **Remove any adjusting key or wrench before turning the power tool on.** A wrench or a key left attached to a rotating part of the power tool may result in personal injury.
- e. **Do not overreach. Keep proper footing and balance at all times.** This enables better control of the power tool in unexpected situations.
- f. **Dress properly. Do not wear loose clothing or jewellery. Keep your hair, clothing and gloves away from moving parts.** Loose clothes, jewellery or long hair can be caught in moving parts.
- g. **If devices are provided for the connection of dust extraction and collection facilities, ensure these are connected and properly used.** Use of these devices can reduce dust related hazards.

4. Power tool use and care

- a. **Do not force the power tool. Use the correct power tool for your application.** The correct power tool will do the job better and safer at the rate for which it was designed.
- b. **Do not use the power tool if the switch does not turn it on and off.** Any power tool that cannot be controlled with the switch is dangerous and must be repaired.
- c. **Disconnect the plug from the power source before making any adjustments, changing accessories, or storing power tools.** Such preventive safety measures reduce the risk of starting the power tool accidentally.
- d. **Store idle power tools out of the reach of children and do not allow persons unfamiliar with the power tool or these instructions to operate the power tool.** Power tools are dangerous in the hands of untrained users.
- e. **Maintain power tools. Check for misalignment or binding of moving parts, breakage of parts and any other condition that may affect the power tools operation. If damaged, have the power tool repaired before use.** Many accidents are caused by poorly maintained power tools.
- f. **Keep cutting tools sharp and clean.** Properly maintained cutting tools with sharp cutting edges are less likely to bind and are easier to control.
- g. **Use the power tool, accessories and tool bits etc., in accordance with these instructions and in the manner intended for the particular type of power tool, taking into account the working conditions and the work to be performed.**

Use of the power tool for operations different from those intended could result in a hazardous situation.

5. Service

- a. **Have your power tool serviced by a qualified repair person using only identical replacement parts.** This will ensure that the safety of the power tool is maintained.

Additional safety instructions for impact drills

- ◆ **Wear ear protectors with impact drills.** Exposure to noise can cause hearing loss.
- ◆ **Use auxiliary handles supplied with the tool.** Loss of control can cause personal injury.

Electrical safety



This tool is double insulated; therefore no earth wire is required. Always check that the power supply corresponds to the voltage on the rating plate.

- ◆ This appliance is not intended for use by young or infirm persons without supervision. Children must be supervised to ensure they do not play with the appliance.
- ◆ If the supply cord is damaged, it must be replaced by the manufacturer or an authorised Black & Decker Service Centre in order to avoid a hazard.

Features

This tool includes some or all of the following features.

1. Variable speed switch
2. Lock-on button
3. Forward/reverse slider
4. Levelok™ straight drilling indicator
5. Drilling mode selector
6. Keyless chuck (KR60(L)/KR70(L))
Quick Connect™ chuck (KR60QC/KR70QC)
7. Depth stop
8. Side handle
9. Bit storage

Assembly

Warning! Make sure that the tool is switched off and unplugged.

Fitting the side handle and depth stop (fig. A)

- ◆ Turn the grip (10) counterclockwise until you can slide the side handle (8) onto the front of the tool as shown.
- ◆ Rotate the side handle into the desired position.
- ◆ Insert the depth stop (7) into the mounting hole as shown.
- ◆ Set the depth stop to the desired position. The maximum drilling depth is equal to the distance between the tip of the drill bit and the front end of the depth stop.
- ◆ Tighten the side handle by turning the grip clockwise.

Fitting a drill bit or screwdriver bit

KR60(L)/KR70(L) - Keyless chuck (fig. B)

- ◆ Open the chuck by turning the front part (12) with one hand while holding the rear part (11) with the other.
- ◆ Insert the bit shaft (13) into the chuck and firmly tighten the chuck.

KR60QC/KR70QC - Quick Connect™ chuck (fig. B & C)

The chuck on these models can be easily removed and refitted. When your project entails both drilling and screwdriving, fit a screwdriver bit in the spindle and a drill bit in the chuck; you will then only need to remove the chuck for screwdriving and refit it for drilling. The screwdriver bit can be left in the spindle while drilling. You can also fit drill bits with a hexagonal shaft in this way.

- ◆ To fit a drill bit, proceed as described above.
- ◆ To fit a screwdriver bit, proceed as follows:
- ◆ Remove the chuck (6).
- ◆ Install a screwdriver bit (16) by pushing it into the spindle (15) as shown.
- ◆ To remove the screwdriver bit, pull the ring (17) back and pull the screwdriver bit out of the spindle.

Removing and refitting the chuck

KR60(L)/KR70(L) - Keyless chuck (fig. D)

- ◆ Open the chuck as far as possible.
- ◆ Remove the chuck retaining screw, located in the front part of the chuck, by turning it clockwise using a screwdriver.
- ◆ Tighten an Allen key (18) into the chuck and strike it with a hammer as shown.
- ◆ Remove the Allen key.
- ◆ Remove the chuck by turning it counterclockwise.
- ◆ To refit the chuck, screw it onto the spindle and secure it with the chuck retaining screw.

KR60QC/KR70QC - Quick Connect™ chuck (fig. C)

- ◆ To remove the chuck (6), keep the release tabs (14) depressed and pull the chuck off the spindle (15).
- ◆ To refit the chuck, push it onto the spindle until it is firmly locked into place.

Warning! Always make sure that the chuck is securely fitted.

Use

Warning! Before drilling into walls, floors or ceilings, check for the location of wiring and pipes.

Selecting the direction of rotation

For drilling and for tightening screws, use forward (clockwise) rotation. For loosening screws or removing a jammed drill bit, use reverse (counterclockwise) rotation.

- ◆ To select forward rotation, push the forward/reverse slider (3) to the left.
- ◆ To select reverse rotation, push the forward/reverse slider to the right.

Warning! Never change the direction of rotation while the motor is running.

Selecting the drilling mode

- ◆ For drilling in masonry, set the drilling mode selector (5) to the **T** position.
- ◆ For drilling in other materials and for screwdriving, set the drilling mode selector (5) to the **2** position.

KR60L/KR70L - Levelok™ straight drilling indicator

This tool is fitted with an indicator to facilitate straight drilling. This feature can be used both in horizontal and in vertical position. The indicator is activated while the tool is connected to the mains.

- ◆ Position the tool as required.
- ◆ Slowly move the rear of the tool until the red indicator (4) lights up and remains on.

Switching on and off

- ◆ To switch the tool on, press the variable speed switch (1). The tool speed depends on how far you press the switch. As a general rule, use low speeds for large diameter drill bits and high speeds for smaller diameter drill bits.
- ◆ For continuous operation, press the lock-on button (2) and release the variable speed switch. This option is available only at full speed.
- ◆ To switch the tool off, release the variable speed switch. To switch the tool off when in continuous operation, press the variable speed switch once more and release it.

Accessories

The performance of your tool depends on the accessory used. Black & Decker and Piranha accessories are engineered to high quality standards and designed to enhance the performance of your tool. By using these accessories you will get the very best from your tool.

Maintenance

Your tool has been designed to operate over a long period of time with a minimum of maintenance. Continuous satisfactory operation depends upon proper tool care and regular cleaning.

- ◆ Regularly clean the ventilation slots with a clean, dry paint brush.

- ◆ To clean the tool, use only mild soap and a damp cloth. Never let any liquid get inside the tool and never immerse any part of the tool into liquid.

Protecting the environment



Separate collection. This product must not be disposed of with normal household waste.

Should you find one day that your Black & Decker product needs replacement, or if it is of no further use to you, do not dispose of it with household waste. Make this product available for separate collection.



Separate collection of used products and packaging allows materials to be recycled and used again. Re-use of recycled materials helps prevent environmental pollution and reduces the demand for raw materials.

Local regulations may provide for separate collection of electrical products from the household, at municipal waste sites or by the retailer when you purchase a new product.

Black & Decker provides a facility for the collection and recycling of Black & Decker products once they have reached the end of their working life. To take advantage of this service please return your product to any authorised repair agent who will collect them on our behalf.

You can check the location of your nearest authorised repair agent by contacting your local Black & Decker office at the address indicated in this manual. Alternatively, a list of authorised Black & Decker repair agents and full details of our after-sales service and contacts are available on the Internet at: www.2helpU.com

Technical data

	KR60	KR70
Voltage	V _{AC} 230	230
Power input	W 600	730
No-load speed	min ⁻¹ 0-3,000	0-3,000
Weight	kg 2.3	2.3

Max drilling capacity

Steel/concrete	mm 13	13
Wood	mm 25	25

EC declaration of conformity

KR60/KR70

Black & Decker declares that these products conform to:
98/37/EC, 89/336/EEC, 73/23/EEC, EN 55014, EN 60745,
EN 61000

L_{PA} (sound pressure) 97.3 dB(A),
 L_{WA} (acoustic power) 108.3 dB(A),
hand/arm weighted vibration 10.7 m/s²
 K_{PA} (sound pressure uncertainty) 3 dB(A),
 K_{WA} (acoustic power uncertainty) 3 dB(A)



Kevin Hewitt
Director of Consumer Engineering
Spennymoor, County Durham DL16 6JG,
United Kingdom
1-9-2005

Guarantee

Black & Decker is confident of the quality of its products and offers an outstanding guarantee. This guarantee statement is in addition to and in no way prejudices your statutory rights. The guarantee is valid within the territories of the Member States of the European Union and the European Free Trade Area.

If a Black & Decker product becomes defective due to faulty materials, workmanship or lack of conformity, within 24 months from the date of purchase, Black & Decker guarantees to replace defective parts, repair products subjected to fair wear and tear or replace such products to ensure minimum inconvenience to the customer unless:

- ◆ The product has been used for trade, professional or hire purposes;
- ◆ The product has been subjected to misuse or neglect;
- ◆ The product has sustained damage through foreign objects, substances or accidents;
- ◆ Repairs have been attempted by persons other than authorised repair agents or Black & Decker service staff.

To claim on the guarantee, you will need to submit proof of purchase to the seller or an authorised repair agent. You can check the location of your nearest authorised repair agent by contacting your local Black & Decker office at the address indicated in this manual. Alternatively, a list of authorised Black & Decker repair agents and full details of our after-sales service and contacts are available on the Internet at:

www.2helpU.com.

Please register at our website **www.blackanddecker.com** to be kept up to date on new products and special offers. Further information on the Black & Decker brand and our range of products is available at **www.blackanddecker.com**.

Bestimmungsgemäße Verwendung

Ihre Black & Decker Schlagbohrmaschine wurde zum Bohren in Holz, Metall, Kunststoff und Mauerwerk sowie zum Schrauben entwickelt.

Dieses Gerät ist nicht für den gewerblichen Einsatz vorgesehen.

Allgemeine Sicherheitsregeln

Achtung! Sämtliche Anweisungen sind zu lesen. Die Nichteinhaltung der nachstehend aufgeführten Anweisungen kann elektrischen Schlag, Brand und/oder schwere Verletzungen verursachen. Der nachfolgend verwendete Begriff "Gerät" bezieht sich auf netzbetriebene Geräte (mit Netzkabel) und auf akkubetriebene Geräte (ohne Netzkabel).

BEWAHREN SIE DIESE ANWEISUNGEN AUF.

1. Arbeitsbereich

- a. **Halten Sie Ihren Arbeitsbereich sauber und gut ausgeleuchtet.** Unordnung und dunkle Arbeitsbereiche können zu Unfällen führen.
- b. **Arbeiten Sie mit Geräten nicht in explosionsgefährdeter Umgebung, in der sich brennbare Flüssigkeiten, Gase oder Stäube befinden.** Geräte erzeugen Funken, die den Staub oder die Dämpfe entzünden können.
- c. **Halten Sie Kinder und andere Personen während der Benutzung des Gerätes fern.** Bei Ablenkung können Sie die Kontrolle verlieren.

2. Elektrische Sicherheit

- a. **Der Anschlußstecker des Gerätes muß in die Steckdose passen. Der Stecker darf in keiner Weise verändert werden. Verwenden Sie keine Adapterstecker gemeinsam mit schutzgeerdeten Geräten.** Unveränderte Stecker und passende Steckdosen verringern das Risiko eines elektrischen Schlages.
- b. **Vermeiden Sie Körperkontakt mit geerdeten Oberflächen von Rohren, Heizungen, Herden und Kühlschränken.** Es besteht ein erhöhtes Risiko eines elektrischen Schlags, wenn Ihr Körper geerdet ist.
- c. **Halten Sie Geräte von Regen und Nässe fern.** Das Eindringen von Wasser in ein Gerät erhöht das Risiko eines elektrischen Schlages.
- d. **Missbrauchen Sie nicht das Kabel. Verwenden Sie das Kabel niemals zum Tragen, Ziehen oder Trennen des Gerätes vom Netz. Halten Sie das Kabel fern von Hitze, Öl, scharfen Kanten oder sich bewegenden Teilen.** Beschädigte oder verwickelte Kabel erhöhen das Risiko eines elektrischen Schlages.
- e. **Wenn Sie mit einem Gerät im Freien arbeiten, verwenden Sie nur Verlängerungskabel, die auch für den Außenbereich zugelassen sind.** Die Verwendung eines für den Außenbereich geeigneten Verlängerungskabels verringert das Risiko eines elektrischen Schlages.

3. Sicherheit von Personen

- a. **Seien Sie aufmerksam, achten Sie darauf, was Sie tun, und gehen Sie vernünftig mit einem Gerät um. Benutzen Sie das Gerät nicht, wenn Sie müde sind oder unter dem Einfluß von Drogen, Alkohol oder Medikamenten stehen.** Ein Moment der Unachtsamkeit beim Gebrauch von Geräten kann zu ernsthaften Verletzungen führen.
 - b. **Verwenden Sie Schutzausrüstung. Tragen Sie stets einen Augenschutz.** Schutzausrüstung wie Staubmaske, rutschfeste Sicherheitsschuhe, Schutzhelm oder Gehörschutz, je nach Art und Einsatz des Gerätes, verringert das Risiko von Verletzungen.
 - c. **Vermeiden Sie eine unbeabsichtigte Inbetriebnahme. Stellen Sie sicher, daß sich der Schalter in der Aus-Stellung befindet, bevor das Gerät mit dem Netz verbunden wird.** Durch das Tragen des Gerätes mit dem Finger am Schalter oder durch das Verbinden eingeschalteter Geräte werden Unfälle provoziert.
 - d. **Entfernen Sie EinstellGeräte oder Schraubenschlüssel, bevor Sie das Gerät einschalten.** Ein Gerät oder Schlüssel, der sich in einem drehenden Teil befindet, kann zu Verletzungen führen.
 - e. **Nicht zu weit nach vorne strecken! Achten Sie auf einen sicheren Stand, um in jeder Arbeitsposition das Gleichgewicht zu halten.** Dadurch können Sie das Gerät in unerwarteten Situationen besser unter Kontrolle halten.
 - f. **Tragen Sie geeignete Kleidung. Tragen Sie keine weite Kleidung oder Schmuck. Halten Sie Haare, Kleidung und Handschuhe fern von sich bewegenden Teilen.** Lockere Kleidung, Schmuck oder lange Haare können von sich bewegenden Teilen erfaßt werden.
 - g. **Falls Staubabsaug- und -fangvorrichtungen vorhanden sind, vergewissern Sie sich, daß diese angeschlossen sind und richtig verwendet werden.** Das Verwenden dieser Einrichtungen verringert Gefährdungen durch Staub.
- ### 4. Gebrauch und Pflege von Geräten
- a. **Überlasten Sie das Gerät nicht. Verwenden Sie für Ihre Arbeit das dafür bestimmte Gerät.** Mit dem passenden Gerät arbeiten Sie besser und sicherer im angegebenen Leistungsbereich.
 - b. **Benutzen Sie kein Gerät, dessen Schalter defekt ist.** Ein Gerät, das sich nicht mehr ein- oder ausschalten läßt, ist gefährlich und muß repariert werden.
 - c. **Ziehen Sie den Stecker aus der Steckdose, bevor Sie Einstellungen vornehmen, Zubehöerteile wechseln oder das Gerät weglegen.** Diese Vorsichtsmaßnahme verhindert den unbeabsichtigten Start des Gerätes.

- d. Bewahren Sie unbenutzte Geräte außerhalb der Reichweite von Kindern auf. Lassen Sie Geräte nicht von Personen benutzen, die damit nicht vertraut sind oder diese Anweisungen nicht gelesen haben.** Geräte sind gefährlich, wenn Sie von unerfahrenen Personen benutzt werden.
- e. Halten Sie Geräte in einem einwandfreien Zustand. Kontrollieren Sie, ob bewegliche Teile falsch ausgerichtet sind oder klemmen und ob Teile gebrochen oder so beschädigt sind, daß die Funktion des Gerätes beeinträchtigt ist. Lassen Sie beschädigte Geräte vor dem Gebrauch reparieren.** Viele Unfälle haben ihre Ursache in schlecht gewarteten Geräten.
- f. Halten Sie Schneidgeräte scharf und sauber.** Sorgfältig gepflegte Schneidgeräte mit scharfen Schneidkanten verklemmen sich weniger und sind leichter zu führen.
- g. Verwenden Sie Gerät, Zubehör, Einsatz-Bits, usw. entsprechend diesen Anweisungen und so, wie es für diesen speziellen Gerätetyp vorgeschrieben ist. Berücksichtigen Sie dabei die Arbeitsbedingungen und die auszuführende Arbeit.** Der Gebrauch von Geräten für andere als die vorgesehenen Anwendungen kann zu gefährlichen Situationen führen.
- 5. Service**
- a. Lassen Sie Ihr Gerät nur von qualifiziertem Fachpersonal und nur mit Original-Ersatzteilen reparieren.** Damit wird gewährleistet, daß die Sicherheit des Gerätes erhalten bleibt.

Zusätzliche Sicherheitsanweisungen für Schlagbohrer

- ◆ **Tragen Sie bei Schlagbohrmaschinen einen Gehörschutz.** Lärm kann Gehörschäden verursachen.
- ◆ **Verwenden Sie die im Lieferumfang des Werkzeugs enthaltenen Zusatzhandgriffe.** Ein Kontrollverlust kann Personenverletzungen verursachen.

Elektrische Sicherheit



Dieses Gerät ist schutzisoliert, daher ist keine Erdleitung erforderlich. Überprüfen Sie immer, ob die Netzspannung der auf dem Typenschild des Geräts angegebenen Spannung entspricht.

- ◆ Dieses Gerät darf ohne Aufsicht nicht von jungen oder schwachen Personen verwendet werden. Kinder müssen beaufsichtigt werden, um sicherzustellen, daß sie nicht mit dem Gerät spielen.
- ◆ Falls das Netzkabel beschädigt ist, so ist es vom Hersteller oder einem autorisierten Black & Decker Service Center auszutauschen, um Gefahren vorzubeugen.

Merkmale

Dieses Gerät weist einige oder alle der folgenden Merkmale auf.

1. Drehzahl-Regelschalter
2. Ausschaltsperr
3. Linkslauf-/Rechtslauf-Umschalter
4. Levelok-Anzeige für gerades Bohren
5. Betriebsartenschalter
6. Schlüsselloses Bohrfutter (KR60(L)/KR70(L)) Quick Connect™-Bohrfutter (KR60QC/KR70QC)
7. Tiefenanschlag
8. Seitenhandgriff
9. Bit-Aufbewahrung

Zusammenbau

Achtung! Vergewissern Sie sich, daß das Gerät ausgeschaltet ist und der Netzstecker gezogen wurde.

Anbringen des Seitenhandgriffs und des Tiefenanschlags (Abb. A)

- ◆ Drehen Sie den Griff (10) gegen den Uhrzeigersinn, bis der Seitenhandgriff (8) wie angegeben vorne auf das Gerät geschoben werden kann.
- ◆ Drehen Sie den Seitenhandgriff in die gewünschte Stellung.
- ◆ Setzen Sie den Tiefenanschlag (7) wie angegeben in die Befestigungsöffnung ein.
- ◆ Stellen Sie den Tiefenanschlag auf die gewünschte Position ein. Die maximale Bohrtiefe ist der Abstand zwischen der Spitze des Bohrers und dem vorderen Ende des Tiefenanschlags.
- ◆ Ziehen Sie den Seitenhandgriff an, indem Sie ihn im Uhrzeigersinn drehen.

Einsetzen eines Bohrers bzw. einer Schrauber Klinge

KR60(L)/KR70(L) - Schlüsselloses Bohrfutter (Abb. B)

- ◆ Öffnen Sie das Bohrfutter, indem Sie den vorderen Teil (12) mit der einen Hand aufdrehen, während Sie den hinteren Teil (11) mit der anderen Hand festhalten.
- ◆ Setzen Sie den Schaft (13) des Bohrers bzw. der Schrauber Klinge in das Bohrfutter, und ziehen Sie das Bohrfutter fest an.

KR60QC/KR70QC - Quick Connect™-Bohrfutter (Abb. B & C)

Das Bohrfutter dieser Modelle kann leicht entfernt und angebracht werden. Falls bei Ihrer Arbeit sowohl Bohren als auch Schrauben nötig ist, setzen Sie eine Schrauber Klinge in die Spindel und einen Bohrer in das Bohrfutter. Nun müssen Sie nur noch zum Schrauben das Bohrfutter entfernen und zum Bohren wieder anbringen. Die Schrauber Klinge kann beim Bohren in der Spindel gelassen werden. Auf diese Weise können Sie auch Bohrer mit einem Sechskantschaft anbringen.

- ◆ Um einen Bohrer anzubringen, gehen Sie wie oben beschrieben vor.
- ◆ Um eine Schrauberklinge anzubringen, gehen Sie folgendermaßen vor:
- ◆ Entfernen Sie das Bohrfutter (6).
- ◆ Bringen Sie eine Schrauberklinge (16) an, indem Sie sie wie angegeben in die Spindel (15) drücken.
- ◆ Um die Schrauberklinge zu entfernen, ziehen Sie den Ring (17) zurück und ziehen Sie die Schrauberklinge aus der Spindel.

Entfernen und Anbringen des Bohrfutters

KR60(L)/KR70(L) - Schlüsselloses Bohrfutter (Abb. D)

- ◆ Öffnen Sie das Bohrfutter vollständig.
- ◆ Entfernen Sie die Bohrfutter-Sicherungsschraube, die sich im vorderen Teil des Bohrfutters befindet, indem Sie sie mit einem Schraubendreher im Uhrzeigersinn drehen.
- ◆ Spannen Sie einen Innensechskantschlüssel (18) in das Bohrfutter ein, und schlagen Sie wie angegeben mit einem Hammer auf den Innensechskantschlüssel.
- ◆ Entfernen Sie den Innensechskantschlüssel.
- ◆ Entfernen Sie das Bohrfutter, indem Sie es gegen den Uhrzeigersinn drehen.
- ◆ Um das Bohrfutter wieder anzubringen, schrauben Sie es auf die Spindel, und sichern Sie es mit der Bohrfutter-Sicherungsschraube.

KR60QC/KR70QC - Quick Connect™-Bohrfutter (Abb. C)

- ◆ Um das Bohrfutter (6) zu entfernen, halten Sie die Lösefahnen (14) gedrückt und ziehen Sie das Bohrfutter von der Spindel (15).
- ◆ Um das Bohrfutter wieder anzubringen, drücken Sie es auf die Spindel, bis es fest in seiner Lage einrastet.

Achtung! Stellen Sie stets sicher, daß das Bohrfutter sicher angebracht ist.

Gebrauch

Achtung! Informieren Sie sich vor dem Bohren in Wände, Böden und Decken über den genauen Verlauf von Leitungen und Rohren.

Wahl der Laufrichtung

Zum Bohren sowie zum Eindrehen von Schrauben verwenden Sie den Rechtslauf (im Uhrzeigersinn). Zum Lösen von Schrauben sowie zum Lösen eines festsitzenden Bohrers verwenden Sie den Linkslauf (gegen den Uhrzeigersinn).

- ◆ Für Rechtslauf schieben Sie den Linkslauf-/Rechtslauf-Umschalter (3) nach links.
- ◆ Für Linkslauf schieben Sie den Linkslauf-/Rechtslauf-Umschalter nach rechts.

Achtung! Ändern Sie niemals die Laufrichtung, während der Motor läuft.

Wahl der Betriebsart

- ◆ Um in Mauerwerk zu bohren, stellen Sie den Betriebsartenschalter (5) in die Position **T**.
- ◆ Um in andere Materialien zu bohren sowie zum Schrauben stellen Sie den Betriebsartenschalter (5) in die Position **A**.

KR60L/KR70L - Levelok™-Anzeige für gerades Bohren

Dieses Werkzeug ist mit einer Anzeige ausgestattet, die das gerade Bohren erleichtert. Diese Funktion kann in waagerechter sowie in senkrechter Richtung verwendet werden. Die Anzeige wird aktiviert, sobald das Werkzeug mit dem Netz verbunden wird.

- ◆ Bringen Sie das Werkzeug in die erforderliche Stellung.
- ◆ Bewegen Sie langsam die Hinterseite des Werkzeugs, bis die rote Anzeige (4) aufleuchtet und an bleibt.

Ein- und Ausschalten

- ◆ Um das Gerät einzuschalten, drücken Sie auf den Drehzahl-Regelschalter (1). Je tiefer Sie den Schalter drücken, um so höher ist die Drehzahl des Geräts.
Im Allgemeinen sollten für Bohrer mit großen Durchmessern niedrige Drehzahlen und für Bohrer mit kleineren Durchmessern hohe Drehzahlen verwendet werden.
- ◆ Drücken Sie für Dauerbetrieb die Ausschaltsperrle (2). Sie können nun den Drehzahl-Regelschalter loslassen. Diese Möglichkeit besteht nur bei voller Drehzahl.
- ◆ Um das Gerät auszuschalten, lassen Sie den Drehzahl-Regelschalter los. Ausschalten im Dauerbetrieb: drücken Sie den Drehzahl-Regelschalter erneut, und lassen Sie ihn wieder los.

Zubehör

Die Leistung Ihres Geräts hängt vom verwendeten Zubehör ab. Black & Decker und Piranha Zubehör ist nach hohen Qualitätsnormen gefertigt und dafür ausgelegt, die Leistung Ihres Geräts zu steigern. Durch Verwendung dieses Zubehörs erzielen Sie die größtmögliche Leistung Ihres Geräts.

Wartung

Ihr Gerät wurde im Hinblick auf eine lange Lebensdauer und einen möglichst geringen Wartungsaufwand entwickelt. Ein dauerhafter, einwandfreier Betrieb setzt eine regelmäßige Reinigung voraus.

- ◆ Reinigen Sie die Lüftungsschlitze regelmäßig mit einem sauberen, trockenen Farbpinself.
- ◆ Verwenden Sie zur Reinigung des Werkzeugs nur milde Seifenlösung und ein feuchtes Tuch. Lassen Sie niemals Flüssigkeiten in das Werkzeug gelangen, und tauchen Sie niemals Teile des Werkzeugs in Flüssigkeit ein.

Umweltschutz



Getrennte Entsorgung. Dieses Produkt darf nicht über den normalen Hausmüll entsorgt werden.

Sollte Ihr Black & Decker Produkt eines Tages erneuert werden müssen, oder falls Sie es nicht weiter verwenden wollen, so darf es nicht über den Hausmüll entsorgt werden. Stellen Sie dieses Produkt zur getrennten Entsorgung bereit.



Durch die getrennte Entsorgung gebrauchter Produkte und Verpackungen können die Materialien recycelt und wiederverwertet werden. Die Wiederverwertung recycelter Materialien schont die Umwelt und verringert die Nachfrage nach Rohstoffen.

Die regionalen Bestimmungen schreiben unter Umständen die getrennte Entsorgung elektrischer Produkte aus dem Haushalt an Sammelstellen oder seitens des Händlers vor, bei dem Sie das neue Produkt erworben haben.

Black & Decker nimmt Ihre ausgedienten Black & Decker Geräte gern zurück und sorgt für eine umweltfreundliche Entsorgung und Wiederverwertung. Um diesen Dienst zu nutzen, schicken Sie bitte Ihr Produkt zu einer Vertragswerkstatt. Hier wird es dann auf unsere Kosten gesammelt.

Die Adresse der zuständigen Black & Decker Vertretung steht in diesem Handbuch, darüber läßt sich die nächstgelegene Vertragswerkstatt ermitteln. Außerdem ist eine Liste der Vertragswerkstätten und aller Kundendienststellen von Black & Decker sowie der zuständigen Ansprechpartner im Internet zu finden unter: **www.2helpU.com**

Technische Daten

	KR60	KR70
Spannung	V_{AC} 230	230
Leistungsaufnahme	W 600	730
Leerlaufdrehzahl	min^{-1} 0-3.000	0-3.000
Gewicht	kg 2,3	2,3

Max. Bohrkapazität

Stahl/Beton	mm 13	13
Holz	mm 25	25

EG-Konformitätserklärung

KR60/KR70

Black & Decker erklärt, daß diese Produkte folgende

Konformität erfüllen:

98/37/EWG, 89/336/EWG, 73/23/EWG, EN 55014, EN 60745, EN 61000

L_{pA} (Schalldruck) 97,3 dB(A), L_{WA} (Schalleistung) 108,3 dB(A),

gewichtete Hand-/Armvibrationen 10,7 m/s^2

K_{pA} (Schalldruck-Unsicherheitsfaktor) 3 dB(A),

K_{WA} (Schalleistungs-Unsicherheitsfaktor) 3 dB(A)

Kevin Hewitt

Director of Consumer Engineering

Spennymoor, County Durham DL16 6JG,

Vereinigtes Königreich

1-9-2005

Garantie

Black & Decker vertraut auf die Qualität der eigenen Geräte und bietet dem Käufer eine außergewöhnliche Garantie. Diese Garantiezusage versteht sich unbeschadet der gesetzlichen Gewährleistungsansprüche und schränkt diese keinesfalls ein. Sie gilt in sämtlichen Mitgliedsstaaten der Europäischen Union und der Europäischen Freihandelszone EFTA.

Tritt innerhalb von 24 Monaten ab Kaufdatum an einem Gerät von Black & Decker ein auf Material- oder Verarbeitungsfehler zurückzuführender Mangel auf, garantiert Black & Decker den Austausch defekter Teile, die Reparatur von Geräten mit üblichem Verschleiß bzw. den Austausch eines mangelhaften Geräts, ohne den Kunden dabei mehr als unbedingt nötig in Anspruch zu nehmen, allerdings vorbehaltlich folgender Ausnahmen:

- ◆ wenn das Gerät gewerblich, beruflich oder im Verleihgeschäft benutzt wurde;
- ◆ wenn das Gerät mißbräuchlich verwendet oder mit mangelnder Sorgfalt behandelt wurde;
- ◆ wenn das Gerät durch irgendwelche Fremdeinwirkung beschädigt wurde;
- ◆ wenn ein unbefugter Reparaturversuch durch anderes Personal als das einer Vertragswerkstatt oder des Black & Decker-Kundendienstes unternommen wurde.

Zur Inanspruchnahme dieser Garantie ist dem Verkäufer bzw. der Vertragswerkstatt ein Kaufnachweis vorzulegen. Der Kaufnachweis muß Kaufdatum und Gerätetyp bescheinigen. Die Adresse des zuständigen Büros von Black & Decker steht in dieser Anleitung, darüber läßt sich die nächstgelegene Vertragswerkstatt ermitteln. Außerdem ist eine Liste der Vertragswerkstätten und aller Kundendienststellen von Black & Decker sowie der zuständigen Ansprechpartner im Internet zu finden unter: **www.2helpU.com**.

Bitte melden Sie sich auf unserer Webseite

www.blackanddecker.com an, damit wir Sie über neue

Produkte und Sonderangebote informieren können. Weitere

Informationen über die Marke Black & Decker und unsere Produkte

finden Sie auf folgender Adresse: **www.blackanddecker.com**.

Utilisation prévue

Votre perceuse à percussion Black & Decker a été conçue pour percer le bois, le métal, le plastique et la maçonnerie, ainsi que pour fonctionner comme visseuse-dévisseuse. Cet outil a été conçu pour une utilisation exclusivement domestique.

Consignes générales de sécurité

Attention ! Lisez toutes les instructions. Le non-respect des instructions indiquées ci-dessous peut entraîner une électrocution, un incendie ou de graves blessures. La notion d'« outil électroportatif » mentionnée par la suite se rapporte à des outils électriques raccordés au secteur (avec câble de raccordement) ou fonctionnant sur batteries (sans fil).
GARDEZ PRÉCIEUSEMENT CES CONSIGNES DE SECURITE.

1. Zone de travail

- a. **Maintenez la zone de travail propre et bien éclairée.**
Un lieu de travail en désordre ou mal éclairé augmente le risque d'accidents.
- b. **N'utilisez pas les outils électroportatifs dans un environnement présentant des risques d'explosion ni en présence de liquides, gaz ou poussières inflammables.** Les outils électroportatifs génèrent des étincelles risquant d'enflammer les poussières ou les vapeurs.
- c. **Tenez les enfants et autres personnes éloignés durant l'utilisation de l'outil électroportatif.** En cas d'inattention, vous risquez de perdre le contrôle sur l'outil.

2. Sécurité électrique

- a. **La fiche de secteur de l'outil électroportatif doit convenir à la prise de courant. Ne modifiez en aucun cas la fiche. N'utilisez pas de fiches d'adaptateur avec des outils ayant une prise de terre.** Les fiches non modifiées et les prises de courant appropriées réduisent le risque d'électrocution.
- b. **Évitez le contact physique avec des surfaces mises à la terre telles que tuyaux, radiateurs, fours et réfrigérateurs.** Il y a un risque élevé d'électrocution si votre corps est relié à la terre.
- c. **N'exposez pas l'outil électroportatif à la pluie ni à l'humidité.** La pénétration d'eau dans un outil électroportatif augmente le risque d'électrocution.
- d. **Préservez le câble d'alimentation. N'utilisez pas le câble à d'autres fins que celles prévues, notamment pour porter l'outil, l'accrocher voire le débrancher de la prise de courant. Maintenez le câble éloigné des sources de chaleur, des parties grasses, des bords tranchants ou des parties de l'outil en rotation.**
Un câble endommagé ou enchevêtré augmente le risque d'électrocution.

- e. **Si vous utilisez l'outil électroportatif à l'extérieur, utilisez une rallonge homologuée pour utilisation à l'air libre.** L'utilisation d'une rallonge électrique homologuée pour les applications extérieures réduit le risque d'électrocution.

3. Sécurité personnelle

- a. **Restez vigilant, surveillez ce que vous faites. Faites preuve de bon sens quand vous utilisez l'outil électroportatif. N'utilisez pas l'outil lorsque vous êtes fatigué ou après avoir consommé de l'alcool, des drogues ou avoir pris des médicaments.** Un moment d'inattention lors de l'utilisation de l'outil peut entraîner de graves blessures.
 - b. **Portez des équipements de protection. Portez toujours des lunettes de protection.** Le port d'équipements de protection personnelle tels que masque anti-poussières, chaussures de sécurité antidérapantes, casque ou protection auditive, selon le travail à effectuer, réduit le risque de blessures.
 - c. **Évitez une mise en route accidentelle. Avant de brancher l'outil, vérifiez que l'interrupteur est sur la position arrêt.** Le transport ou le branchement d'outils électroportatifs avec l'interrupteur en position marche est une invite à l'accident.
 - d. **Enlevez tout outil ou clé de réglage avant de mettre l'outil en marche.** Une clé ou un outil se trouvant sur une partie en rotation peut causer des blessures.
 - e. **Ne surestimez pas vos capacités. Conservez en permanence votre équilibre et les deux pieds à terre.** Vous contrôlerez mieux l'outil dans des situations inattendues.
 - f. **Portez des vêtements appropriés. Ne portez pas de vêtements amples ni de bijoux. N'approchez pas les cheveux, vêtements ou gants des parties de l'outil en rotation.** Les vêtements amples, les bijoux ou les cheveux longs peuvent être attrapés dans les pièces en mouvement.
 - g. **Si des dispositifs servant à aspirer ou à recueillir les poussières doivent être utilisés, vérifiez qu'ils sont correctement raccordés et utilisés.** L'utilisation de tels dispositifs réduit les dangers dus aux poussières.
- ### 4. Utilisation des outils électroportatifs et précautions
- a. **Ne surchargez pas l'outil. Utilisez l'outil électroportatif approprié pour le travail à effectuer.** Avec l'outil électroportatif approprié, vous travaillerez mieux et avec plus de sécurité à la vitesse pour laquelle il a été conçu.
 - b. **N'utilisez pas un outil électroportatif dont l'interrupteur est défectueux.** Un outil électroportatif qui ne peut plus être mis en ou hors fonctionnement est dangereux et doit être réparé.

- c. Retirez la fiche de la prise de courant avant d'effectuer des réglages sur l'outil, de changer les accessoires ou de ranger l'outil.** Cette mesure de précaution empêche une mise en marche par mégarde.
- d. Rangez les outils électroportatifs hors de portée des enfants. Ne laissez pas les personnes n'étant pas familiarisées avec l'outil ou n'ayant pas lu ces instructions l'utiliser.** Les outils électroportatifs sont dangereux lorsqu'ils sont utilisés par des personnes non initiées.
- e. Prenez soin des outils électroportatifs. Vérifiez que les parties en mouvement fonctionnent correctement et qu'elles ne sont pas coincées ; vérifiez qu'il n'y a pas de pièces cassées ou endommagées susceptibles de nuire au bon fonctionnement de l'outil. S'il est endommagé, faites réparer l'outil avant de l'utiliser.** De nombreux accidents sont dus à des outils électroportatifs mal entretenus.
- f. Maintenez les outils de coupe aiguisés et propres.** Des outils soigneusement entretenus avec des bords tranchants bien aiguisés se coincent moins souvent et peuvent être guidés plus facilement.
- g. Utilisez les outils électroportatifs, les accessoires, les outils à monter etc. conformément à ces instructions et aux prescriptions en vigueur pour ce type d'outils. Tenez compte également des conditions de travail et du travail à effectuer.** L'utilisation des outils électroportatifs à d'autres fins que celles prévues peut entraîner des situations dangereuses.
- 5. Réparations**
- a. Faites réparer votre outil électroportatif uniquement par du personnel qualifié et seulement avec des pièces de rechange d'origine.** Cela garantira le maintien de la sécurité de votre outil.

Instructions de sécurité supplémentaires pour les perceuses à percussion

- ◆ **Portez une protection auditive avec les perceuses à percussion.** L'exposition au bruit peut causer des pertes de l'audition.
- ◆ **Utilisez les poignées additionnelles fournies avec l'outil.** Une perte de contrôle peut provoquer des blessures.

Sécurité électrique



L'outil est doublement isolé ; par conséquent, aucun câble de masse n'est nécessaire. Vérifiez si le voltage mentionné sur la plaque signalétique correspond bien à la tension de réseau sur site.

- ◆ Cet appareil n'est pas destiné à être utilisé par des jeunes ou des personnes infirmes sans supervision. Les enfants ne doivent pas jouer avec l'appareil.
- ◆ Si le câble d'alimentation est endommagé, il doit être remplacé par le fabricant ou par un centre de réparation agréé Black & Decker afin d'éviter tout accident.

Caractéristiques

Cet outil comprend toutes ou certaines des caractéristiques suivantes.

1. Interrupteur à variateur de vitesse
2. Bouton de verrouillage
3. Sélecteur de droite / gauche
4. Indicateur de perçage en ligne droite Levelok™
5. Sélecteur de mode de perçage
6. Mandrin sans clé (KR60(L)/KR70(L))
Mandrin Quick Connect™ TM (KR60QC/KR70QC)
7. Butée de profondeur
8. Poignée latérale
9. Compartiment de rangement des embouts

Montage

Attention ! Assurez-vous que l'outil est bien hors tension et débranché.

Comment ajuster la poignée latérale et la butée de profondeur (fig. A)

- ◆ Faites tourner la poignée (10) dans le sens inverse des aiguilles d'une montre jusqu'à ce que vous puissiez faire glisser la poignée latérale (8) sur le devant de l'outil comme indiqué.
- ◆ Faites tourner la poignée latérale dans la position souhaitée.
- ◆ Insérez la butée de profondeur (7) dans le trou de montage comme indiqué.
- ◆ Fixez la butée de profondeur dans la position souhaitée. La profondeur de perçage maximale est égale à la distance entre l'extrémité du foret et l'extrémité avant de la butée de profondeur.
- ◆ Serrez la poignée latérale en la faisant tourner dans le sens des aiguilles d'une montre.

Comment installer un foret ou un embout de vissage

KR60(L)/KR70(L) - Mandrin sans clé (fig. B)

- ◆ Ouvrez le mandrin en faisant tourner la partie avant (12) d'une main tout en tenant la partie arrière (11) de l'autre main.
- ◆ Insérez la tige du foret (13) dans le mandrin et serrez fermement le mandrin.

KR60QC/KR70QC - Mandrin Quick Connect™ (fig. B et C)

Le mandrin de ces modèles peut être facilement mis en place et démonté. Lorsque vous souhaitez à la fois percer et visser, placez un embout de vissage sur l'arbre et un foret dans le mandrin : vous n'aurez alors qu'à enlever le mandrin pour visser et à le replacer pour percer. L'embout de vissage peut rester installé sur l'arbre pendant le perçage. Vous pouvez aussi installer des forets avec une queue hexagonale de cette manière.

- ◆ Installez le foret comme indiqué ci-dessus.
- ◆ Procédez comme suit pour la mise en place d'un embout de vissage :
- ◆ Enlevez le mandrin (6).
- ◆ Installez un embout de vissage (16) en l'enfonçant dans l'arbre (15) comme indiqué.
- ◆ Pour enlever l'embout de vissage, tirez sur la bague (17) et extrayez l'embout de vissage de l'arbre.

Comment enlever et replacer le mandrin.**KR60(L)/KR70(L) - Mandrin sans clé (fig. D)**

- ◆ Ouvrez le mandrin jusqu'à son ouverture maximum.
- ◆ Enlevez la vis de fixation du mandrin située à l'avant du mandrin en le faisant tourner dans le sens des aiguilles d'une montre à l'aide d'un tournevis.
- ◆ Placez une clé Allen (18) dans le mandrin et enfoncez-la avec un marteau comme indiqué.
- ◆ Enlevez la clé Allen.
- ◆ Enlevez le mandrin en le faisant tourner dans le sens inverse des aiguilles d'une montre.
- ◆ Pour replacer le mandrin, vissez-le sur l'arbre et serrez-le avec la vis de serrage.

KR60QC/KR70QC - Mandrin Quick Connect™ (C)

- ◆ Pour enlever le mandrin (6), enfoncez les languettes de déblocage (14) et extrayez le mandrin de l'arbre (15).
- ◆ Pour replacer le mandrin, enfoncez-le sur l'arbre jusqu'à ce qu'il soit bloqué.

Attention ! Contrôlez à tout moment que le mandrin est bien fermement fixé.

Utilisation

Attention ! Avant de percer les murs, les planchers ou les plafonds, vérifiez l'emplacement des fils électriques et des tuyaux.

Sélection du sens de rotation

Pour le perçage et le serrage des vis, utilisez la rotation vers l'avant (dans le sens des aiguilles d'une montre). Pour desserrer les vis ou enlever un foret de perçage coincé, utilisez la rotation vers l'arrière (dans le sens inverse des aiguilles d'une montre).

- ◆ Pour sélectionner la rotation vers l'avant, poussez le sélecteur de rotation droite / gauche (3) vers la gauche.

- ◆ Pour sélectionner la rotation vers l'arrière, poussez le sélecteur de rotation droite / gauche vers la droite.

Attention ! Ne changez jamais le sens de rotation lorsque le moteur est en marche.

Sélection du mode de perçage

- ◆ Pour le perçage dans la maçonnerie, fixez le sélecteur de mode de perçage (5) en position **1**.
- ◆ Pour le perçage dans d'autres matériaux et le vissage, fixez le sélecteur de mode de perçage (5) en position **2**.

KR60L/KR70L - Indicateur de perçage en ligne droite Levelock™

Cet outil est équipé d'un indicateur pour faciliter le perçage en ligne droite. Cette fonction peut être utilisée à la fois pour les positions verticale et horizontale. L'indicateur est activé lorsque l'outil est branché sur le secteur.

- ◆ Placez l'outil dans la position requise.
- ◆ Déplacez légèrement l'arrière de l'outil jusqu'à ce que le voyant rouge (4) s'allume et reste allumé.

Mise en marche et arrêt

- ◆ Pour allumer l'outil, appuyez sur l'interrupteur de vitesse variable (1). La vitesse de l'outil dépend de la force que vous exercez sur l'interrupteur. En règle générale, utilisez des vitesses lentes pour les forets de perçage de gros diamètres et les vitesses rapides pour les forets de petits diamètres.
- ◆ Pour un fonctionnement en continu, appuyez sur le bouton de verrouillage (2) et relâchez l'interrupteur de vitesse variable. Cette option n'est disponible qu'en vitesse maximale.
- ◆ Pour éteindre l'outil, relâchez l'interrupteur de vitesse variable. Pour éteindre l'outil lorsqu'il est en fonctionnement continu, appuyez sur l'interrupteur de vitesse variable une fois de plus et relâchez-le.

Accessoires

Les performances de votre outil dépendent de l'accessoire que vous utilisez. Les accessoires Black & Decker et Piranha sont conçus selon les normes de haute qualité pour améliorer les performances de votre outil. En utilisant ces accessoires, vous obtiendrez les meilleurs résultats de votre outil.

Entretien

Votre outil a été conçu pour fonctionner pendant longtemps avec un minimum d'entretien. Un fonctionnement continu satisfaisant dépend d'un nettoyage régulier et d'un entretien approprié de l'outil.

- ◆ Nettoyez régulièrement les fentes de ventilation à l'aide d'un pinceau propre et sec.

- ◆ Pour nettoyer l'outil, n'utilisez qu'un détergent doux et un chiffon humide. Aucun liquide ne doit pénétrer dans l'outil. N'immergez jamais aucune pièce de l'outil dans un liquide.

Protection de l'environnement



Collecte séparée. Ce produit ne doit pas être jeté avec les déchets domestiques normaux.

Si vous décidez de remplacer ce produit Black & Decker, ou si vous n'en avez plus l'utilité, ne le jetez pas avec vos déchets domestiques. Rendez-le disponible pour une collecte séparée.



La collecte séparée des produits et emballages usés permet le recyclage des articles afin de les utiliser à nouveau. Le fait d'utiliser à nouveau des produits recyclés permet d'éviter la pollution environnementale et de réduire la demande de matières premières.

Les réglementations locales peuvent permettre la collecte séparée des produits électriques du foyer, dans des déchetteries municipales ou auprès du revendeur vous ayant vendu votre nouveau produit.

Black & Decker fournit un dispositif permettant de collecter et de recycler les produits Black & Decker lorsqu'ils ont atteint la fin de leur cycle de vie. Pour pouvoir profiter de ce service, veuillez retourner votre produit à un réparateur agréé qui se chargera de le collecter pour nous.

Pour connaître l'adresse du réparateur agréé le plus proche de chez vous, contactez le bureau Black & Decker à l'adresse indiquée dans ce manuel. Vous pourrez aussi trouver une liste des réparateurs agréés de Black & Decker et de plus amples détails sur notre service après-vente sur le site Internet à l'adresse suivante : www.2helpU.com

Caractéristiques techniques

		KR60	KR70
Tension	V_{AC}	230	230
Puissance absorbée	W	600	730
Vitesse à vide	min^{-1}	0-3.000	0-3.000
Poids	kg	2,3	2,3

Capacité max. de perçage

Acier/béton	mm	13	13
Bois	mm	25	25

Déclaration de conformité CE

KR60/KR70

Black & Decker déclare que ces produits sont conformes à :

98/37/CEE, 89/336/CEE, 73/23/CEE, EN 55014, EN 60745, EN 61000

L_{PA} (pression sonore) 97,3 dB(A),

L_{WA} (puissance acoustique) 108,3 dB(A),

pois de la vibration sur la main/bras 10,7 m/s^2

K_{PA} (incertitude de la pression acoustique) 3 dB(A),

K_{WA} (incertitude de la puissance acoustique) 3 dB(A)

Kevin Hewitt

Directeur Ingénierie Client

Spennymoor, County Durham DL16 6JG,

Royaume Uni

1-9-2005

Garantie

Black & Decker est confiant dans la qualité de ses produits et vous offre une garantie très étendue. Ce certificat de garantie est un document supplémentaire et ne peut en aucun cas se substituer à vos droits légaux. La garantie est valable sur tout le territoire des Etats Membres de l'Union Européenne et de la Zone de Libre Echange Européenne.

Si un produit Black & Decker s'avère défectueux en raison de matériaux en mauvaises conditions, d'une erreur humaine, ou d'un manque de conformité dans les 24 mois suivant la date d'achat, Black & Decker garantit le remplacement des pièces défectueuses, la réparation des produits usés ou cassés ou remplace ces produits à la convenance du client, sauf dans les circonstances suivantes :

- ◆ Le produit a été utilisé dans un but commercial, professionnel, ou a été loué.
- ◆ Le produit a été mal utilisé ou avec négligence.
- ◆ Le produit a subi des dommages à cause d'objets étrangers, de substances ou à cause d'accidents.
- ◆ Des réparations ont été tentées par des techniciens ne faisant pas partie du service technique de Black & Decker.

Pour avoir recours à la garantie, il est nécessaire de fournir une preuve d'achat au vendeur ou à un réparateur agréé.

Pour connaître l'adresse du réparateur agréé le plus proche de chez vous, contactez le bureau Black & Decker à l'adresse indiquée dans ce manuel. Vous pourrez aussi trouver une liste des réparateurs agréés de Black & Decker et de plus amples détails sur notre service après-vente sur le site Internet à l'adresse suivante : www.2helpU.com.

Veuillez vous inscrire sur notre site Web

www.blackanddecker.com pour être informé des nouveaux produits et de nos offres spéciales. Pour plus d'informations concernant la marque Black & Decker et notre gamme de produits, consultez notre site www.blackanddecker.com.

Uso previsto

Il trapano a percussione Black & Decker è stato progettato per perforare legno, metalli, plastica e muratura, nonché per funzionare come cacciavite.

L'utensile è stato progettato per un uso individuale.

Norme generiche di sicurezza

Attenzione! Leggere tutte le istruzioni. La mancata osservazione delle presenti istruzioni potrebbe causare scosse elettriche, incendi e/o infortuni gravi. Il termine "elettroutensile" che ricorre in tutte le avvertenze seguenti si riferisce ad utensili elettrici con o senza filo.

CONSERVARE QUESTE ISTRUZIONI.

1. Area di lavoro

a. **Mantenere pulita e bene illuminata l'area di lavoro.**

Il disordine e la scarsa illuminazione possono causare incidenti.

b. **Evitare d'impiegare gli elettroutensili in ambienti esposti al rischio di esplosione, ad esempio in presenza di liquidi, gas o polveri infiammabili.**

Gli elettroutensili producono scintille che possono far infiammare la polvere o i fumi.

c. **Mantenere lontani bambini ed astanti mentre si usa l'elettroutensile.**

Eventuali distrazioni possono comportare la perdita del controllo dell'utensile.

2. Sicurezza elettrica

a. **La spina elettrica deve essere adatta alla presa.**

Evitare assolutamente di alterare la spina. Non impiegare spine adattatrici con utensili provvisti di messa a terra. L'uso di spine inalterate e delle prese corrispondenti riduce il rischio di scosse elettriche.

b. **Evitare il contatto fisico con superfici collegate a terra, come tubi, radiatori, forni e frigoriferi.**

Un corpo collegato a terra è esposto maggiormente al rischio di scosse elettriche.

c. **Custodire gli elettroutensili al riparo dalla pioggia o dall'umidità.**

L'eventuale infiltrazione di acqua in un elettroutensile aumenta il rischio di scosse elettriche.

d. **Non esporre il cavo a sollecitazioni. Non usare il cavo per trasportare o trainare l'utensile e non tirarlo per estrarre la spina dalla presa di corrente.**

Mantenere il cavo al riparo dal calore, da bordi taglienti e/o da parti in movimento. I cavi elettrici danneggiati o aggrovigliati aumentano il rischio di scosse elettriche.

e. **Se l'elettroutensile viene adoperato all'aperto, usare esclusivamente prolunghe omologate per l'impiego all'esterno.**

Un cavo adatto per uso esterno riduce il rischio di scosse elettriche.

3. Sicurezza delle persone

a. **È importante concentrarsi su ciò che si sta facendo e maneggiare con giudizio l'elettroutensile. Non adoperare l'elettroutensile se si è stanchi o sotto l'effetto di stupefacenti, alcol o medicinali.**

Un attimo di distrazione può causare gravi infortuni personali.

b. **Indossare sempre un equipaggiamento protettivo. Indossare sempre degli occhiali di sicurezza.**

Avendo cura d'indossare l'equipaggiamento protettivo necessario - ad esempio maschera antipolvere, calzature antiscivolo, casco ed otoprotezioni - si ridurrà il rischio di infortuni.

c. **Evitare l'accensione involontaria dell'utensile. Prima d'inserire la spina nella presa, controllare che l'interruttore sia su Off.**

Il trasporto di elettroutensili tenendo le dita sull'interruttore oppure l'inserimento della spina di alimentazione di un elettroutensile con l'interruttore di accensione su On, aumenta il rischio di incidenti.

d. **Prima di accendere un elettroutensile, togliere eventuali chiavi o attrezzi di regolazione.**

Un attrezzo o una chiave lasciati in un componente mobile dell'elettroutensile possono causare lesioni.

e. **Non sporgersi. Mantenere sempre un buon equilibrio evitando posizioni malsicure.**

In questo modo è possibile controllare meglio l'utensile in situazioni inaspettate.

f. **Vestirsi adeguatamente. Evitare di indossare indumenti larghi o gioielli. Tenere capelli, vestiti e guanti lontani da pezzi in movimento.**

Vestiti larghi, gioielli o capelli lunghi potranno impigliarsi nei componenti in movimento.

g. **Se gli utensili sono provvisti di attacchi per la connessione di dispositivi di aspirazione o raccolta della polvere, assicurarsi che questi siano installati e utilizzati correttamente.**

L'impiego di tali dispositivi può ridurre i rischi correlati alle polveri.

4. Uso e cura degli elettroutensili

a. **Non sovraccaricare l'utensile. Usare l'elettroutensile idoneo al lavoro da eseguire.**

L'elettroutensile appropriato permetterà una migliore e più sicura lavorazione alla potenza nominale prevista.

b. **Non utilizzare elettroutensili con interruttori difettosi.**

Un elettroutensile che non può essere controllato mediante l'interruttore è pericoloso e deve essere riparato.

c. **Estrarre la spina dalla presa di corrente prima di regolare l'utensile, di sostituire degli accessori o di riporre l'utensile.**

Queste precauzioni di sicurezza riducono le possibilità che l'utensile venga messo in funzione accidentalmente.

- d. **Quando non vengono usati, gli elettrotensili devono essere custoditi fuori della portata dei bambini. Non consentire l'uso dell'utensile a persone inesperte o che non abbiano letto le presenti istruzioni.** Gli elettrotensili risultano pericolosi se usati da persone inesperte.
- e. **Sottoporre gli elettrotensili alle procedure di manutenzione del caso. Verificare che le parti mobili siano bene allineate e non inceppate, che non vi siano componenti rotti e che non sussistano altre condizioni che possano compromettere il funzionamento dell'elettrotensile. In caso di danni, riparare l'elettrotensile prima dell'uso.** La scarsa manutenzione causa molti incidenti.
- f. **Mantenere affilati e puliti gli utensili da taglio.** Se sottoposti alla corretta manutenzione, gli utensili da taglio con taglienti affilati s'inceppano meno frequentemente e sono più facili da manovrare.
- g. **Utilizzare l'elettrotensile, gli accessori, le punte ecc. in conformità delle presenti istruzioni e secondo la specifica destinazione prevista, tenendo conto delle condizioni di lavoro e del lavoro da completare.** L'impiego degli elettrotensili per usi diversi da quelli previsti può dar luogo a situazioni di pericolo.

5. Riparazioni

- a. **Fare riparare l'utensile solo ed esclusivamente da personale specializzato e solo impiegando pezzi di ricambio originali,** per conservare le condizioni di sicurezza dell'elettrotensile.

Ulteriori istruzioni di sicurezza per trapani a percussione

- ◆ **Indossare protezioni acustiche per utilizzare i trapani a percussione.** L'esposizione al rumore può causare la perdita dell'udito.
- ◆ **Utilizzare le impugnature ausiliarie fornite con l'elettrotensile.** La perdita di controllo può causare lesioni.

Sicurezza elettrica



Il doppio isolamento di cui è provvisto l'utensile rende superfluo il filo di terra. Controllare sempre che l'alimentazione corrisponda alla tensione indicata sulla targhetta delle caratteristiche.

- ◆ L'elettrotensile non deve essere utilizzato da ragazzi o persone inabili senza la supervisione di un adulto. Controllare i bambini per evitare che giochino con l'elettrotensile.
- ◆ Se il cavo elettrico in dotazione risulta danneggiato, deve essere sostituito dal produttore o da un Centro di assistenza autorizzato Black & Decker, onde evitare rischi.

Funzioni

Quest'utensile ha alcune o tutte le caratteristiche elencate di seguito.

1. Interruttore velocità variabile
2. Tasto di bloccaggio
3. Selettore avanti/indietro
4. Livella elettronica Levelok™
5. Selezione della modalità di perforazione
6. Mandrino senza chiave (KR60(L)/KR70(L))
Mandrino Quick Connect™ (KR60QC/KR70QC)
7. Arresto di profondità
8. Impugnatura laterale
9. Alloggiamento punta

Montaggio

Attenzione! Verificare che l'utensile sia spento e disinserito.

Installazione dell'impugnatura laterale e dell'arresto di profondità (fig. A)

- ◆ Ruotare l'impugnatura (10) in senso antiorario finché non è possibile far scivolare l'impugnatura laterale (8) sul lato anteriore dell'utensile, come mostrato.
- ◆ Girare l'impugnatura laterale nella posizione desiderata.
- ◆ Inserire l'arresto di profondità (7) nel foro di montaggio, come mostrato.
- ◆ Regolare l'arresto di profondità sulla posizione desiderata. La profondità massima di perforazione equivale alla distanza tra la punta del trapano e l'estremità anteriore dell'arresto di profondità.
- ◆ Serrare la manopola laterale ruotando l'impugnatura in senso orario.

Inserimento di una punta di trapano o cacciavite

KR60(L)/KR70(L) - Mandrino senza chiave (fig. B)

- ◆ Aprire il mandrino girando con una mano la parte anteriore (12) mentre con l'altra mano si sostiene la parte posteriore (11).
- ◆ Inserire lo stelo della punta (13) nel mandrino e serrarlo saldamente.

KR60QC/KR70QC - Mandrino Quick Connect™ (fig. B e C)

Su questi modelli il mandrino può essere estratto e reinstallato facilmente. Quando il lavoro richiede sia l'uso del trapano che del cacciavite, inserire una punta di cacciavite nell'alberino e una punta di trapano nel mandrino: in questo modo per avvitare sarà sufficiente estrarre l'alberino e poi reinserirlo per perforare. La punta di cacciavite può restare nell'alberino mentre si usa il trapano. In questo modo si possono installare anche delle punte di trapano con stelo esagonale.

- ◆ Per installare una punta di trapano, procedere nel modo seguente:

- ◆ Per installare una punta di cacciavite, procedere nel modo seguente:
- ◆ Asportare il mandrino (6).
- ◆ Installare la punta di cacciavite (16) spingendola nell'alberino (15) come illustrato.
- ◆ Per asportare la punta di cacciavite, tirare indietro l'anello (17) ed estrarre la punta dall'alberino.

Rimozione e reinserimento del mandrino

KR60(L)/KR70(L) - Mandrino senza chiave (fig. D)

- ◆ Aprire il mandrino il più possibile.
- ◆ Con un cacciavite ruotare in senso orario le viti che fissa il mandrino - che si trova sul lato anteriore del mandrino stesso - per estrarla.
- ◆ Stringere una chiave Allen (18) nel mandrino e percuoterla con un martello, come illustrato.
- ◆ Rimuovere la chiave Allen.
- ◆ Rimuovere il mandrino, ruotandolo in senso antiorario.
- ◆ Per rimontare il mandrino, avvitare sull'alberino e bloccarlo con l'apposita viti di ritegno.

KR60QC/KR70QC - Mandrino Quick Connect™ (fig. C)

- ◆ Per rimuovere il mandrino (6), mantenere premute le linguette di sgancio (14) e tirare il mandrino dall'alberino (15).
- ◆ Per rimontare il mandrino, spingerlo sull'alberino sino che non si blocca in posizione.

Attenzione! Assicurarsi che il mandrino sia inserito saldamente.

Uso

Attenzione! Prima di forare pareti, pavimenti, soffitti, verificare l'ubicazione di cavi elettrici e tubazioni.

Selezione del senso di rotazione

Per trapanare e avvitare, selezionare il senso di rotazione in avanti (senso orario). Per svitare o per togliere una punta inceppata, selezionare il senso inverso (antiorario).

- ◆ Per selezionare la rotazione in avanti, spingere il selettore avanti/indietro (3) verso sinistra.
- ◆ Per selezionare la rotazione indietro, spingere il selettore avanti/indietro verso destra.

Attenzione! Non invertire mai il senso di rotazione mentre l'utensile è in funzione.

Selezione della modalità di perforazione

- ◆ Per perforare la muratura, impostare il selettore di modalità del trapano (5) sulla posizione **T**.
- ◆ Per perforare altri materiali e per avvitare, impostare il selettore di modalità del trapano (5) sulla posizione **A**.

KR60L/KR70L - Livella elettronica Levelok™

Questo utensile è dotato di una livella elettronica per agevolare la trapanatura. Questa funzione si può usare sia in posizione orizzontale che in posizione verticale. Se l'utensile è collegato alla presa di alimentazione, l'indicatore si accende.

- ◆ Collocare l'utensile nella posizione desiderata.
- ◆ Spostare lentamente la parte posteriore dell'utensile fino a che la spia rossa (4) non si accende e resta accesa.

Accensione e spegnimento

- ◆ Per accendere l'utensile, premere l'interruttore variatore di velocità (1). La velocità dell'utensile dipende dalla pressione esercitata sull'interruttore. Come regola generale, utilizzare velocità basse per punte di trapano di diametro grande e velocità alte per punte più piccole.
- ◆ Per un funzionamento continuato, spingere il pulsante di blocco (2) e rilasciare l'interruttore per il cambio di velocità. Questa opzione è disponibile solo a velocità massima.
- ◆ Per spegnere l'utensile, rilasciare l'interruttore variatore di velocità. Per spegnere l'utensile in modalità di funzionamento continuo, premere di nuovo l'interruttore per il cambio di velocità e poi lasciarlo andare.

Accessori

Le prestazioni dell'utensile dipendono dall'accessorio usato. Gli accessori Black & Decker e Piranha, che sono prodotti di altissima qualità, sono stati progettati per ottimizzare la resa dell'utensile. Quando si scelgono questi accessori l'utensile offre prestazioni eccellenti.

Manutenzione

Questo utensile è stato progettato per funzionare a lungo con un minimo di manutenzione. Per ottenere prestazioni sempre soddisfacenti occorre avere cura dell'utensile e sottoporlo a manutenzione periodica.

- ◆ Pulire regolarmente le prese di ventilazione con un pennello pulito e asciutto.
- ◆ Per pulire l'utensile, usare solo sapone non aggressivo e un panno umido. Evitare sempre la penetrazione di liquido all'interno dell'utensile che non va mai immerso in alcun liquido.

Protezione dell'ambiente



Raccolta differenziata. Questo prodotto non deve essere smaltito con i normali rifiuti domestici.

Nel caso in cui si decida di sostituire l'apparecchio oppure di disfarsene in quanto non più necessario, non dovrà essere smaltito con i normali rifiuti domestici. Smaltire il prodotto tramite raccolta differenziata.



La raccolta differenziata di prodotti e imballaggi usati, consente il riciclaggio e il riutilizzo dei materiali. Riutilizzare i materiali riciclati aiuta a prevenire l'inquinamento ambientale e riduce la richiesta di materie prime.

In base alle normative locali, i servizi per la raccolta differenziata di elettrodomestici possono essere disponibili presso i punti di raccolta municipali o presso il rivenditore, al momento dell'acquisto di un nuovo prodotto.

Black & Decker offre ai suoi clienti un servizio per la raccolta differenziata e la possibilità di riciclare i prodotti Black & Decker che hanno esaurito la loro durata in servizio. Per usufruire del servizio, è sufficiente restituire il prodotto a qualsiasi tecnico autorizzato, incaricato della raccolta per conto dell'azienda.

Per individuare il tecnico autorizzato più vicino, rivolgersi alla sede Black & Decker locale, presso il recapito indicato nel presente manuale. Altrimenti un elenco completo di tutti i tecnici autorizzati Black & Decker e i dettagli completi sui contatti e i servizi post-vendita sono disponibili sul sito Internet: www.2helpU.com

Dati tecnici

		KR60	KR70
Tensione	V _{AC}	230	230
Potenza assorbita	W	600	730
Velocità senza carico	min ⁻¹	0-3.000	0-3.000
Peso	kg	2,3	2,3

Capacità di perforazione max.

Acciaio/calcestruzzo	mm	13	13
Legno	mm	25	25

Dichiarazione CE di Conformità

KR60/KR70

Black & Decker dichiara che i presenti prodotti sono conformi a: 98/37/CEE, 89/336/CEE, 73/23/CEE, EN 55014, EN 60745, EN 61000

L_{PA} (pressione sonora) 97,3 dB(A),

L_{WA} (potenza acustica) 108,3 dB(A),

vibrazione misurata su braccio / mano 10,7 m/s²

K_{PA} (incertezza sulla pressione sonora) 3 dB(A),

K_{WA} (incertezza sulla potenza acustica) 3 dB(A)

Kevin Hewitt
Direttore tecnico prodotti di consumo
Spennymoor, County Durham DL16 6JG,
Regno Unito
1-9-2005

Garanzia

Certa della qualità dei suoi prodotti, Black & Decker offre una garanzia eccezionale. Il presente certificato di garanzia è complementare ai diritti statutari e non li pregiudica in alcun modo. La garanzia è valida entro il territorio degli Stati membri dell'Unione Europea e dell'EFTA (European Free Trade Area).

Se un prodotto Black & Decker risulta difettoso per qualità del materiale, della costruzione o per mancata conformità entro 24 mesi dalla data di acquisto, Black & Decker garantisce la sostituzione delle parti difettose, provvede alla riparazione dei prodotti se ragionevolmente usurati oppure alla loro sostituzione, in modo da ridurre al minimo il disagio del cliente a meno che:

- ◆ Il prodotto non sia stato destinato ad usi commerciali, professionali o al noleggio;
- ◆ Il prodotto non sia stato usato in modo improprio o scorretto;
- ◆ Il prodotto non abbia subito danni causati da oggetti o sostanze estranee oppure incidenti;
- ◆ Il prodotto non abbia subito tentativi di riparazione non effettuati da tecnici autorizzati né dall'assistenza Black & Decker.

Per attivare la garanzia è necessario esibire la prova comprovante l'acquisto al venditore o al tecnico autorizzato. Per individuare il tecnico autorizzato più vicino, rivolgersi alla sede Black & Decker locale, presso il recapito indicato nel presente manuale. Altrimenti un elenco completo di tutti i tecnici autorizzati Black & Decker e i dettagli completi sui contatti e i servizi post-vendita sono disponibili su Internet presso: www.2helpU.com.

Chi desidera essere aggiornato sui nuovi prodotti e le offerte speciali può registrarsi presso il sito Web www.blackanddecker.com. Ulteriori informazioni sul marchio Black & Decker e la nostra gamma di prodotti sono disponibili all'indirizzo www.blackanddecker.com.

Gebruik volgens bestemming

Uw Black & Decker kloppboormachine is ontworpen voor het boren in hout, metaal, kunststof en steen alsmede voor schroefwerkzaamheden.

Deze machine is uitsluitend bestemd voor consumentengebruik.

Algemene veiligheidsvoorschriften

Waarschuwing! Lees alle voorschriften. Wanneer de volgende voorschriften niet in acht worden genomen, kan dit een elektrische schok, brand of ernstig letsel tot gevolg hebben. Het hierna gebruikte begrip "elektrisch gereedschap" heeft betrekking op elektrische gereedschappen voor gebruik op het stroomnet (met netsnoer) of op accu (snoerloos).
BEWAAR DEZE VOORSCHRIFTEN GOED.

1. Werkomgeving

a. Houd uw werkomgeving schoon en opgeruimd.

Een rommelige of onverlichte werkomgeving kan tot ongevallen leiden.

b. Werk met de machine niet in een omgeving met explosiegevaar, zoals in de nabijheid van brandbare vloeistoffen, gasen of stof bevinden.

Elektrische gereedschappen veroorzaken vonken die het stof of de dampen tot ontsteking kunnen brengen.

c. Houd kinderen en andere personen tijdens het gebruik van het elektrische gereedschap uit de buurt.

Wanneer u wordt afgeleid, kunt u de controle over het gereedschap verliezen.

2. Elektrische veiligheid

a. De netstekker van het gereedschap moet in het stopcontact passen. De stekker mag in geen geval worden veranderd. Gebruik geen adapterstekkers in combinatie met geaarde gereedschappen.

Onveranderde stekkers en passende stopcontacten beperken het risico van een elektrische schok.

b. Voorkom aanraking van het lichaam met geaarde oppervlakken, bijvoorbeeld buizen, verwarmingen, fornuizen en koelkasten. Er bestaat een verhoogd risico voor een elektrische schok wanneer uw lichaam geaard is.

c. Houd het gereedschap uit de buurt van regen en vocht.

Het binnendringen van water in het elektrische gereedschap vergroot het risico van een elektrische schok.

d. Gebruik het snoer niet voor een verkeerd doel. Gebruik het snoer niet om het gereedschap te dragen of op te hangen of om de stekker uit het stopcontact te trekken. Houd het snoer uit de buurt van hitte, olie, scherpe randen of bewegende delen.

Beschadigde of in de war geraakte snoeren vergroten het risico van een elektrische schok.

e. Wanneer u buitenshuis met elektrisch gereedschap werkt, dient u alleen verlengsnoeren te gebruiken die voor gebruik buitenshuis zijn goedgekeurd.

Het gebruik van een voor gebruik buitenshuis geschikt verlengsnoer beperkt het risico van een elektrische schok.

3. Veiligheid van personen

a. Wees alert, let goed op wat u doet en ga met verstand te werk bij het gebruik van elektrische gereedschappen. Gebruik elektrisch gereedschap niet wanneer u moe bent of onder invloed van drugs, alcohol of medicijnen.

Een moment van onoplettendheid bij het gebruik van het gereedschap kan tot ernstige verwondingen leiden.

b. Draag persoonlijke beschermende uitrusting. Draag altijd een veiligheidsbril.

Het dragen van persoonlijke beschermende uitrusting zoals een stofmasker, slipvaste werkschoenen, een veiligheidshelm of gehoorbescherming, afhankelijk van de aard en het gebruik van het elektrische gereedschap, vermindert het risico van verwondingen.

c. Voorkom per ongeluk inschakelen. Controleer of de schakelaar in de uit-stand staat voordat u de stekker in het stopcontact steekt.

Wanneer u bij het dragen van het gereedschap uw vinger aan de schakelaar hebt of wanneer u het gereedschap ingeschakeld op de stroomvoorziening aansluit, kan dit tot ongevallen leiden.

d. Verwijder instelgereedschappen of schroefslutels voordat u het gereedschap inschakelt.

Een instelgereedschap of sleutel in een draaiend deel van het gereedschap kan tot verwondingen leiden.

e. Reik niet te ver. Zorg er altijd voor dat u stevig staat en in evenwicht blijft.

Daardoor kunt u het gereedschap in onverwachte situaties beter onder controle houden.

f. Draag geschikte kleding. Draag geen loshangende kleding of sieraden. Houd haren, kleding en handschoenen uit de buurt van bewegende delen.

Loshangende kleding, sieraden en lange haren kunnen door bewegende delen worden meegenomen.

g. Wanneer stofafzuigings- of stofopvangvoorzieningen kunnen worden gemonteerd, dient u zich ervan te verzekeren dat deze zijn aangesloten en juist worden gebruikt.

Het gebruik van deze voorzieningen beperkt het gevaar door stof.

4. Gebruik en onderhoud van elektrische gereedschappen

a. Overbelast het gereedschap niet. Gebruik voor uw toepassing het daarvoor bestemde elektrische gereedschap.

Met het passende elektrische gereedschap werkt u beter en veiliger binnen het aangegeven capaciteitsbereik.

- b. Gebruik geen elektrisch gereedschap waarvan de schakelaar defect is.** Elektrisch gereedschap dat niet meer kan worden in- of uitgeschakeld, is gevaarlijk en moet worden gerepareerd.
- c. Trek de stekker uit het stopcontact voordat u het gereedschap instelt, toebehoren wisselt of het gereedschap weglegt.** Deze voorzorgsmaatregel voorkomt onbedoeld starten van het gereedschap.
- d. Bewaar niet-gebruikte elektrische gereedschappen buiten bereik van kinderen. Laat het gereedschap niet gebruiken door personen die er niet mee vertrouwd zijn en deze aanwijzingen niet hebben gelezen.** Elektrische gereedschappen zijn gevaarlijk wanneer deze door onervaren personen worden gebruikt.
- e. Verzorg het gereedschap zorgvuldig. Controleer of bewegende delen van het gereedschap correct functioneren en niet vastklemmen en of onderdelen zodanig gebroken of beschadigd zijn dat de werking van het gereedschap nadelig wordt beïnvloed. Laat beschadigde delen repareren voordat u het gereedschap gebruikt.** Veel ongevallen worden veroorzaakt door slecht onderhouden elektrische gereedschappen.
- f. Houd snijdende inzetgereedschappen scherp en schoon.** Zorgvuldig onderhouden snijdende inzetgereedschappen met scherpe snijkanten klemmen minder snel vast en zijn gemakkelijker te geleiden.
- g. Gebruik elektrische gereedschappen, toebehoren, inzetgereedschappen en dergelijke volgens deze aanwijzingen en zoals voor dit speciale gereedschapstype voorgeschreven. Let daarbij op de arbeidsomstandigheden en de uit te voeren werkzaamheden.** Het gebruik van elektrische gereedschappen voor andere dan de voorziene toepassingen kan tot gevaarlijke situaties leiden.

5. Service

- a. Laat het gereedschap alleen repareren door gekwalificeerd en vakkundig personeel en alleen met originele vervangingsonderdelen.** Daarmee wordt de veiligheid van het gereedschap gewaarborgd.

Aanvullende veiligheidsinstructies voor klopboormachines

- ◆ **Draag oorbeschermers bij klopboormachines.** Blootstelling aan geluid kan leiden tot gehoorbeschadiging.
- ◆ **Gebruik de handgrepen die met de machine zijn meegeleverd.** Het niet in bedwang kunnen houden van de machine kan leiden tot ongelukken.

Elektrische veiligheid



Deze machine is dubbel geïsoleerd; een aardaansluiting is daarom niet noodzakelijk. Controleer altijd of uw netspanning overeenkomt met de waarde op het typeplaatje.

- ◆ Dit apparaat is niet bedoeld voor gebruik door jonge of lichamelijk zwakke personen zonder toezicht. Houd toezicht op kinderen om ervoor te zorgen dat zij niet met het apparaat gaan spelen.
- ◆ Indien het netsnoer is beschadigd, dient het ter voorkoming van gevaren te worden vervangen door de fabrikant of een erkend servicecentrum.

Onderdelen

Al naar gelang de uitvoering beschikt deze machine over de volgende onderdelen.

1. Schakelaar voor elektronisch regelbaar toerental
2. Vergrendelingsknop
3. Links/rechtsschakelaar
4. Levelok™ Indicatie voor recht boren
5. Boorfunctie-schakelaar
6. Snelspanboorhouder (KR60(L)/KR70(L)) Quick Connect™ boorhouder (KR60QC/KR70QC)
7. Diepteaanslag
8. Zijhandgreep
9. Opbergruimte bits

Assemblage

Waarschuwing! Zorg dat de machine is uitgeschakeld en dat de stekker uit het stopcontact is gehaald.

Aanbrengen van de zijhandgreep en diepteaanslag (fig. A)

- ◆ Draai de handgreep (10) linksom totdat u de zijhandgreep (8) zoals afgebeeld op de voorkant van de machine kunt plaatsen.
- ◆ Draai de zijhandgreep in de gewenste stand.
- ◆ Steek de diepteaanslag (7) zoals afgebeeld in het montagegat.
- ◆ Zet de diepteaanslag in de gewenste stand. De maximale boordiepte is gelijk aan de afstand tussen het uiteinde van de boor en de voorzijde van de diepteaanslag.
- ◆ Maak de zijhandgreep vast door de handgreep rechtsom te draaien.

Aanbrengen van een boor of schroefbit

KR60(L)/KR70(L) - Snelspanboorhouder (fig. B)

- ◆ Open de boorhouder door met één hand aan het voorste deel (12) te draaien en ondertussen met de andere hand het achterste deel (11) vast te houden.
- ◆ Steek de schacht van de boor of bit (13) in de boorhouder en draai de boorhouder stevig vast.

KR60QC/KR70QC - Quick Connect™ boorhouder (fig. B & C)

De boorhouder van deze modellen kan eenvoudig worden afgenomen en weer aangebracht. Als u voor uw klus zowel moet boren als schroeven, breng dan een schroefbit in de spindel en een boor in de boorhouder aan: om te schroeven verwijdert u simpelweg de boorhouder, om te boren brengt u hem weer aan. Het schroefbit kan tijdens het boren in de spindel worden gelaten. Op dezelfde manier kunt u ook boren met een zeskantschacht in de spindel aanbrengen.

- ◆ Om een boorbit aan te brengen, gaat u verder te werk zoals hierboven beschreven.
- ◆ Ga als volgt te werk bij het aanbrengen van een schroefbit:
- ◆ Verwijder de boorhouder (6).
- ◆ Breng een schroefbit (16) aan door het zoals afgebeeld in de spindel (15) te drukken.
- ◆ Om het schroefbit te verwijderen, trekt u de ring (17) naar achteren en trekt het schroefbit uit de spindel.

Verwijderen en opnieuw aanbrengen van de boorhouder

KR60(L)/KR70(L) - Snelspanboorhouder (fig. D)

- ◆ Open de boorhouder zo ver als mogelijk.
- ◆ Verwijder de borgschroef van de boorhouder, die zich bevindt in het voorste deel van de boorhouder, door hem rechtsom te draaien met behulp van een schroevendraaier.
- ◆ Draai een inbusleutel (18) in de boorhouder en sla er met een hamer op zoals afgebeeld.
- ◆ Verwijder de inbusleutel.
- ◆ Verwijder de boorhouder door hem linksom te draaien.
- ◆ Om de boorhouder weer aan te brengen, schroeft u hem op de spindel en borgt u hem met behulp van een borgschroef.

KR60QC/KR70QC - Quick Connect™ boorhouder (fig. C)

- ◆ Om de boorhouder (6) te verwijderen, houdt u de lippen (14) ingedrukt en trekt de boorhouder van de spindel (15).
- ◆ Om de boorhouder weer aan te brengen, drukt u hem op de spindel tot hij stevig vastzit.

Waarschuwing! Vergewis u er altijd van dat de boorhouder naar behoren is aangebracht.

Gebruik

Waarschuwing! Controleer voordat u gaat boren in muren, vloeren of plafonds de locatie van eventueel aanwezige gas-, water- en elektriciteitsleidingen.

Selecteren van de draairichting

Kies voor boren en schroeven indraaien de draairichting rechtsom (met de klok mee). Kies voor schroeven losdraaien of voor het verwijderen van een vastgelopen boor de draairichting linksom (tegen de klok in).

- ◆ Om de draairichting rechtsom te selecteren, drukt u de links/rechts-schakelaar (3) naar links.
- ◆ Om de draairichting linksom te selecteren, drukt u de links/rechts-schakelaar (2) naar rechts.

Waarschuwing! Verander nooit de draairichting terwijl de motor is ingeschakeld.

Selecteren van de boorfunctie

- ◆ Voor boren in metselwerk zet u de boorfunctie-schakelaar (5) in de **T** positie.
- ◆ Voor boren in andere materialen en voor schroeven, zet u de boorfunctie-schakelaar (5) in de **2** positie.

KR60L/KR70L - Levelok™ Indicatie voor recht boren

Deze machine is uitgerust met een indicatie om recht boren te vergemakkelijken. Deze mogelijkheid kan zowel in een horizontale als in een verticale positie worden toegepast.

De indicator wordt geactiveerd terwijl de machine is aangesloten op het elektriciteitsnet.

- ◆ Plaats de machine zoals vereist.
- ◆ Beweeg langzaam de achterkant van de machine tot het rode indicatielampje (4) gaat branden en aan blijft.

In- en uitschakelen

- ◆ Om de machine in te schakelen, drukt u de variabele-snelheidsschakelaar (1) in. De machinesnelheid hangt af van hoever u de schakelaar indrukt. In het algemeen geldt: gebruik lage snelheden voor boren met een grote diameter, en hoge snelheden voor boren met een kleine diameter.
- ◆ Voor continu-bediening: houd de vergrendelingsknop (2) ingedrukt en laat de variabele-snelheidsschakelaar los. Deze optie is alleen beschikbaar bij volle snelheid.
- ◆ Om de machine uit te schakelen, laat u de variabele-snelheidsschakelaar los. Om de machine uit te schakelen in continu-bedrijf, drukt u nogmaals op de variabele-snelheidsschakelaar en laat u hem los.

Accessoires

De prestaties van uw machine hangen af van welke accessoire u gebruikt. Black & Decker en Piranha accessoires zijn ontwikkeld om te voldoen aan hoge kwaliteitseisen en ontworpen om de prestaties van uw machine te verbeteren. Met behulp van deze accessoires haalt u het beste uit uw machine.

Onderhoud

Uw machine is ontworpen om gedurende langere periode te functioneren met een minimum aan onderhoud. Voortdurend tevreden gebruik is afhankelijk van correct onderhoud en regelmatig schoonmaken.

- ◆ Reinig de ventilatieopeningen regelmatig met een schone, droge borstel.
- ◆ Gebruik alleen zachte zeep en een vochtige doek om de machine te reinigen. Zorg ervoor dat er geen vloeistof in de machine kan komen en dompel geen enkel onderdeel van de machine ooit onder in vloeistof.

Milieu



Gescheiden inzameling. Dit product mag niet met het gewone huishoudelijke afval worden weggegooid.

Wanneer uw oude Black & Deckerproduct aan vervanging toe is of het u niet langer van dienst kan zijn, gooi het dan niet bij het huishoudelijk afval. Zorg ervoor dat het product gescheiden kan worden ingezameld.



Door gebruikte producten en verpakkingen gescheiden in te zamelen, worden de materialen gerecycled en opnieuw gebruikt. Hergebruik van gerecyclede materialen voorkomt milieuvervuiling en vermindert de vraag naar grondstoffen.

Inzamelpunten voor gescheiden inzameling van elektrische huishoudproducten bij gemeentelijke vuilnisbergen of bij de verkoper waar u een nieuw product koopt, kunnen aan plaatselijke voorschriften gebonden zijn.

Black & Decker biedt de mogelijkheid tot inzamelen en recyclen van afgedankte Black & Decker producten. Om gebruik van deze service te maken, dient u het product aan een van onze servicecentra te sturen, die voor ons de inzameling verzorgen.

U kunt het adres van het dichtstbijzijnde servicecentrum opvragen via de adressen op de achterzijde van deze handleiding. U kunt ook een lijst van onze servicecentra en meer informatie m.b.t. onze klantenservice vinden op het volgende Internet-adres: www.2helpU.com.

Technische gegevens

		KR60	KR70
Spanning	V _{AC}	230	230
Opgenomen vermogen	W	600	730
Onbelast toerental	min ⁻¹	0-3.000	0-3.000
Gewicht	kg	2,3	2,3

Max. boorcapaciteit

Staal/beton	mm	13	13
Hout	mm	25	25

EG-conformiteitsverklaring

KR60/KR70

Black & Decker verklaart dat deze producten in overeenstemming zijn met:

98/37/EEG, 89/336/EEG, 73/23/EEG, EN 55014, EN 60745, EN 61000

L_{PA} (geluidsdruk) 97,3 dB(A),

L_{WA} (geluidsvermogen) 108,3 dB(A), gewogen kwadratische gemiddelde waarde van de versnelling 10,7 m/s²

K_{PA} (meetonzekerheid geluidsdruk) 3 dB(A),

K_{WA} (meetonzekerheid geluidsvermogen) 3 dB(A)

Kevin Hewitt

Director of Consumer Engineering
Spennymoor, County Durham DL16 6JG,
Verenigd Koninkrijk
1-9-2005

Garantie

Black & Decker heeft vertrouwen in zijn producten en biedt een uitstekende garantie. Deze garantiebepalingen vormen een aanvulling op uw wettelijke rechten en beperken deze niet. De garantie geldt in de lidstaten van de Europese Unie en de Europese Vrijhandelsassociatie.

Mocht uw Black & Decker product binnen 24 maanden na datum van aankoop defect raken tengevolge van materiaal- of constructiefouten, dan garanderen wij de kosteloze vervanging van defecte onderdelen, de reparatie van het product of de vervanging van het product, tenzij:

- ◆ Het product is gebruikt voor handelsdoeleinden, professionele toepassingen of verhuurdoeleinden;
- ◆ Het product onoordeelkundig is gebruikt;
- ◆ Het product is beschadigd door invloeden van buitenaf of door een ongeval;
- ◆ Reparaties zijn uitgevoerd door anderen dan onze servicecentra of Black & Decker personeel.

Om een beroep op de garantie te doen, dient u een aankoopbewijs te overhandigen aan de verkoper of een van onze servicecentra. U kunt het adres van het dichtstbijzijnde servicecentrum opvragen via de adressen op de achterzijde van deze handleiding. U kunt ook een lijst van onze servicecentra en meer informatie m.b.t. onze klantenservice vinden op het volgende Internet-adres: www.2helpU.com.

Meld u aan op onze website www.blackanddecker.com om te worden geïnformeerd over nieuwe producten en speciale aanbiedingen. Verdere informatie over het merk Black & Decker en onze producten vindt u op www.blackanddecker.com.

Uso previsto

La taladradora de martillo Black & Decker está diseñada para taladrar madera, metales, plásticos y mampostería, así como para tareas de atornillado.

Esta herramienta está pensada únicamente para uso doméstico.

Normas de seguridad generales

¡Atención! Lea íntegramente estas instrucciones. En caso de no atenerse a las instrucciones de seguridad siguientes, ello puede dar lugar a una descarga eléctrica, incendio o lesión grave. El término “herramienta eléctrica” empleado en las advertencias indicadas a continuación se refiere a la herramienta eléctrica con alimentación de red (con cable) o alimentada por batería (sin cable).

GUARDE ESTAS INSTRUCCIONES EN UN LUGAR SEGURO.

1. Área de trabajo

a. Mantenga limpia y bien iluminada el área de trabajo.

El desorden y una iluminación deficiente en las áreas de trabajo pueden provocar accidentes.

b. No utilice la herramienta eléctrica en un entorno con peligro de explosión, en el que se encuentren combustibles líquidos, gases o material en polvo.

Las herramientas eléctricas producen chispas que pueden llegar a inflamar los materiales en polvo o vapores.

c. Mantenga alejados a los niños y otras personas del área de trabajo al emplear la herramienta eléctrica.

Una distracción le puede hacer perder el control sobre la herramienta.

2. Seguridad eléctrica

a. El enchufe de la herramienta eléctrica debe corresponder a la toma de corriente utilizada. No es admisible modificar el enchufe en forma alguna. No emplee adaptadores en herramientas eléctricas dotadas con una toma de tierra.

Los enchufes sin modificar adecuados a las respectivas tomas de corriente reducen el riesgo de una descarga eléctrica.

b. Evite que su cuerpo toque partes conectadas a tierra como tuberías, radiadores, cocinas y refrigeradores.

El riesgo a quedar expuesto a una sacudida eléctrica es mayor si su cuerpo tiene contacto con tierra.

c. No exponga las herramientas eléctricas a la lluvia y evite que penetren líquidos en su interior.

Existe el peligro de recibir una descarga eléctrica si penetran ciertos líquidos en la herramienta eléctrica.

d. Cuide el cable de alimentación. No utilice el cable de red para transportar o colgar la herramienta eléctrica, ni tire de él para sacar el enchufe de la toma de corriente. Mantenga el cable de red alejado del calor, aceite, bordes afilados o piezas móviles.

Los cables de red dañados o enredados pueden provocar una descarga eléctrica.

e. Al trabajar con la herramienta eléctrica en la intemperie utilice solamente cables de prolongación homologados para su uso en exteriores.

La utilización de un cable de prolongación adecuado para su uso en exteriores reduce el riesgo de una descarga eléctrica.

3. Seguridad personal

a. Esté atento a lo que hace y emplee la herramienta eléctrica con prudencia. No utilice la herramienta eléctrica si estuviese cansado, ni tampoco después de haber consumido alcohol, drogas o medicamentos.

El no estar atento durante el uso de una herramienta eléctrica puede provocar serias lesiones.

b. Utilice un equipo de protección y en todo caso unas gafas de protección.

El riesgo a lesionarse se reduce considerablemente si, dependiendo del tipo y la aplicación de la herramienta eléctrica empleada, se utiliza un equipo de protección adecuado como una mascarilla antipolvo, zapatos de seguridad con suela antideslizante, casco o protectores auditivos.

c. Evite una puesta en marcha accidental de la herramienta. Compruebe que el interruptor esté en la posición de apagado antes de enchufar la herramienta.

Transportar la herramienta eléctrica con el dedo sobre el interruptor o enchufarla con el interruptor encendido puede provocar accidentes.

d. Retire las herramientas de ajuste o llaves fijas antes de conectar la herramienta eléctrica.

Una herramienta o llave colocada en una pieza giratoria puede producir lesiones al ponerse a funcionar.

e. Sea precavido. Mantenga un apoyo firme sobre el suelo y conserve el equilibrio en todo momento. Ello le permitirá controlar mejor la herramienta eléctrica en caso de presentarse una situación inesperada.

f. Lleve puesta una vestimenta de trabajo adecuada. No lleve vestidos anchos ni joyas. Mantenga su pelo, vestimenta y guantes alejados de las piezas móviles.

La vestimenta suelta, las joyas y el pelo largo se pueden enganchar con las piezas en movimiento.

g. Siempre que sea posible utilizar unos equipos de aspiración o captación de polvo, asegúrese que éstos estén montados y que sean utilizados correctamente.

El empleo de estos equipos reduce los riesgos derivados del polvo.

4. Uso y cuidado de herramientas eléctricas

a. No sobrecargue la herramienta eléctrica. Use la herramienta eléctrica prevista para el trabajo a realizar.

Con la herramienta eléctrica adecuada podrá trabajar mejor y más seguro dentro del margen de potencia indicado.

b. No utilice herramientas eléctricas con un interruptor defectuoso.

Las herramientas eléctricas que no se puedan conectar o desconectar son peligrosas y deben hacerse reparar.

- c. **Saque el enchufe de la red antes de realizar un ajuste en la herramienta eléctrica, cambiar de accesorio o al guardar la herramienta.** Esta medida preventiva reduce el riesgo de conectar accidentalmente la herramienta eléctrica.
- d. **Guarde las herramientas eléctricas fuera del alcance de los niños y de las personas que no estén familiarizadas con su uso.** Las herramientas eléctricas utilizadas por personas inexpertas son peligrosas
- e. **Cuide sus herramientas eléctricas con esmero. Controle si funcionan correctamente, sin atascarse, las partes móviles de la herramienta eléctrica, y si existen partes rotas o deterioradas que pudieran afectar al funcionamiento de la herramienta. Si la herramienta eléctrica estuviese defectuosa haga que la reparen antes de volver a utilizarla.** Muchos de los accidentes se deben a herramientas eléctricas con un mantenimiento deficiente.
- f. **Mantenga las herramientas de corte limpias y afiladas.** Las herramientas de corte mantenidas correctamente se dejan guiar y controlar mejor.
- g. **Utilice herramientas eléctricas, accesorios, útiles de herramienta, etc. de acuerdo con estas instrucciones y en la manera indicada específicamente para esta herramienta eléctrica. Considere en ello las condiciones de trabajo y la tarea a realizar.** El uso de herramientas eléctricas para trabajos diferentes de aquellos para los que han sido concebidas puede resultar peligroso.

5. Servicio técnico

- a. **Haga reparar su herramienta eléctrica sólo por personal técnico autorizado que emplee exclusivamente piezas de repuesto originales.** Solamente así se garantiza la seguridad de la herramienta eléctrica.

Instrucciones de seguridad adicionales para taladros percutores

- ◆ **Lleve protección acústica cuando utilice taladros percutores.** La exposición al ruido puede provocar la pérdida de audición.
- ◆ **Utilice las empuñaduras auxiliares que se suministran con la herramienta.** La pérdida de control puede provocar lesiones personales.

Seguridad eléctrica



La herramienta lleva un doble aislamiento; por lo tanto no requiere una toma a tierra.

Compruebe siempre que la tensión de la red corresponda con el valor indicado en la placa de datos de la herramienta.

- ◆ Este aparato no ha sido concebido para ser utilizado por jóvenes ni personas discapacitadas sin supervisión. Debe vigilarse a los niños para asegurarse de que no jueguen con el aparato.
- ◆ Si el cable eléctrico está estropeado, debe ser sustituido por el fabricante o un servicio técnico autorizado de Black & Decker con el fin de evitar accidentes.

Características

Esta herramienta incluye alguna o todas las características siguientes.

1. Conmutador de velocidad variable
2. Botón de bloqueo
3. Guía de deslizamiento hacia adelante/atrás
4. Indicador de taladrado 100% recto Levelok™
5. Selector de modo de perforación
6. Portabrocas sin llave (KR60(L)/KR70(L))
Portabrocas Quick Connect™ (KR60QC/KR70QC)
7. Tope de profundidad
8. Mango lateral
9. Almacenaje de la broca

Montaje

¡Atención! Asegúrese de que la herramienta esté apagada y desenchufada de la red.

Acoplamiento del mango lateral y el tope de profundidad (fig. A)

- ◆ Gire el mango (10) en sentido contrario a las agujas del reloj hasta que pueda deslizar el mango lateral (8) hacia la parte delantera de la herramienta como se ilustra.
- ◆ Gire el mango lateral a la posición deseada.
- ◆ Inserte el tope de profundidad (7) en el orificio de montaje como se ilustra.
- ◆ Fije el tope de profundidad a la posición deseada. La profundidad máxima de perforación es igual a la distancia entre la punta de la broca y el extremo anterior del tope de profundidad.
- ◆ Apriete el mango lateral, girando el mango en el sentido de las agujas del reloj.

Acoplamiento de la broca o la punta destornilladora

KR60(L)/KR70(L) - Portabrocas sin llave (fig. B)

- ◆ Abra el portabrocas girando la pieza delantera (12) con una mano mientras sujeta la pieza posterior (11) con la otra.
- ◆ Inserte el eje de la broca (13) en el portabrocas y apriete firmemente.

KR60QC/KR70QC – Portabrocas Quick Connect™ (fig. B y C)

El portabrocas de este modelo se extrae y coloca fácilmente. Cuando vaya a trabajar taladrando y atornillando, coloque una punta en el eje y una boca de taladrar en el portabrocas. así sólo necesitará retirar el portabrocas cuando vaya a atornillar y montarlo cuando vaya a taladrar. Mientras se está taladrando, se podrá dejar la punta en el eje. De esta forma, podrá también fijar las brocas de taladrar con un eje hexagonal.

- ◆ Para colocar una broca, proceda como se ha descrito anteriormente.
- ◆ Para colocar una punta destornilladora, proceda de la forma siguiente:
- ◆ Retire el portabrocas (6).
- ◆ Monte una punta (16) empujándola dentro del husillo (15) tal como se muestra.
- ◆ Para extraer la punta, tire hacia atrás del anillo (17) y saque la punta del husillo.

Retirada y reinstalación del portabrocas

KR60(L)/KR70(L) - Portabrocas sin llave (fig. D)

- ◆ Abra el portabrocas al máximo posible.
- ◆ Saque el tornillo de retención del portabrocas, situado en la parte frontal del portabrocas, girándolo con un destornillador en el sentido de las agujas del reloj.
- ◆ Apriete la llave Allen (18) en el portabrocas, golpeando con un martillo como se ilustra.
- ◆ Quite la llave Allen.
- ◆ Saque el portabrocas girándolo en sentido contrario a las agujas del reloj.
- ◆ Para volver a colocar el portabrocas, atorníllelo al eje y asegúrelo con el tornillo de sujeción del portabrocas.

KR60QC/KR70QC – Portabrocas Quick Connect™ (fig. C)

- ◆ Para retirar el portabrocas (6), mantenga presionadas las lengüetas (18) y extraiga el portabrocas del husillo (15).
- ◆ Para volver a montar el portabrocas, empújelo sobre el husillo hasta que quede firmemente encajado en su posición.

¡Atención! Asegúrese siempre de que el portabrocas esté perfectamente encajado.

Uso

¡Atención! Antes de taladrar paredes, suelos o techos, compruebe la ubicación de cableados y tuberías.

Selección de la dirección de rotación

Para taladrar y apretar tornillos, use la rotación hacia adelante (en el sentido de las agujas del reloj). Para aflojar tornillos o para extraer una broca atascada, use la rotación inversa (en sentido contrario a las agujas del reloj).

- ◆ Para seleccionar la rotación directa, empuje la guía de deslizamiento hacia adelante/atrás (3) hacia la izquierda.
- ◆ Para seleccionar la rotación inversa, empuje la guía de deslizamiento hacia adelante/atrás hacia la derecha.

¡Atención! No cambie nunca la dirección de rotación mientras el motor esté en marcha.

Selección del modo de perforación

- ◆ Para taladrar mampostería, fije el selector del modo de perforación (5) en la posición **T**.
- ◆ Para taladrar otros materiales y para atornillar, fije el selector del modo de perforación (5) en la posición **2**.

KR60L/KR70L - Indicador de taladrado 100% recto Levelok™

Esta herramienta incorpora un indicador para facilitar el taladrado 100% recto. Esta característica se puede utilizar tanto en posición horizontal como vertical. El indicador está activado mientras la herramienta esté conectada a la red.

- ◆ Coloque la herramienta tal y como se necesite.
- ◆ Mueva lentamente la parte posterior de la herramienta hasta que el indicador rojo (4) se encienda y permanezca encendido.

Encendido y apagado

- ◆ Para poner en marcha la herramienta, presione el conmutador de velocidad variable (1). La velocidad de la herramienta dependerá de hasta dónde presione el conmutador. Como norma general, use velocidades bajas para brocas de diámetro grande y velocidades altas para brocas de diámetro más pequeño.
- ◆ Para un funcionamiento continuo, pulse el botón de bloqueo (2) y suelte el interruptor de velocidad variable. Esta opción sólo está disponible a velocidad máxima.
- ◆ Para desconectar la herramienta, suelte el conmutador de velocidad variable.
Para desconectar la herramienta durante el funcionamiento continuo, pulse el interruptor de velocidad variable una vez más y suéltelo.

Accesorios

El rendimiento de la herramienta dependerá del accesorio utilizado. Los accesorios de Black & Decker y Piranha están fabricados según las más altas normas de calidad para ampliar el rendimiento de la herramienta. Utilizando estos accesorios, logrará aprovechar al máximo la herramienta.

Mantenimiento

Su herramienta está diseñada para que funcione durante un largo período de tiempo con un mantenimiento mínimo. El funcionamiento satisfactorio continuado depende de un cuidado apropiado y una limpieza periódica de la herramienta.

- ◆ Limpie con regularidad las ranuras de ventilación con una brocha limpia y seca.
- ◆ Para limpiar la herramienta, utilice sólo jabón suave y un paño húmedo. No permite nunca la entrada de líquido en la herramienta y no sumerja nunca ninguna parte de la herramienta en líquido.

Protección del medio ambiente



Separación de desechos. Este producto no debe desecharse con la basura doméstica normal.

Si llega el momento de reemplazar su producto Black & Decker o éste ha dejado de tener utilidad para usted, no lo deseche con la basura doméstica normal. Asegúrese de que este producto se deseche por separado.



La separación de desechos de productos usados y embalajes permite que los materiales puedan reciclarse y reutilizarse. La reutilización de materiales reciclados ayuda a evitar la contaminación medioambiental y reduce la demanda de materias primas.

La normativa local puede prever la separación de desechos de productos eléctricos de uso doméstico en centros municipales de recogida de desechos o a través del distribuidor cuando adquiere un nuevo producto.

Black & Decker proporciona facilidades para la recogida y el reciclado de los productos Black & Decker que hayan llegado al final de su vida útil. Para hacer uso de este servicio, devuelva su producto a cualquier servicio técnico autorizado, que lo recogerá en nuestro nombre.

Pueden consultar la dirección de su servicio técnico más cercano poniéndose en contacto con la oficina local de Black & Decker en la dirección que se indica en este manual. Como alternativa, puede consultar en Internet la lista de servicios técnicos autorizados e información completa de nuestros servicios de posventa y contactos en la siguiente dirección:

www.2helpU.com

Características técnicas

		KR60	KR70
Voltaje	V _{AC}	230	230
Potencia absorbida	W	600	730
Velocidad sin carga	min ⁻¹	0-3.000	0-3.000
Peso	kg	2,3	2,3

Capacidad máxima de taladrado

Acero/hormigón	mm	13	13
Madera	mm	25	25

Declaración de conformidad CE

KR60/KR70

Black & Decker declara que estos productos cumplen las normas siguientes:

98/37/CEE, 89/336/CEE, 73/23/CEE, EN 55014, EN 60745, EN 61000

L_{PA} (presión acústica) 97,3 dB(A),

L_{WA} (potencia acústica) 108,3 dB(A),

vibraciones soportadas en mano/brazo 10,7 m/s²

K_{PA} (incertidumbre de presión acústica) 3 dB(A),

K_{WA} (incertidumbre de potencia acústica) 3 dB(A)

Kevin Hewitt

Director de Ingeniería del Consumidor
Spennymoor, County Durham DL16 6JG,

Reino Unido

1-9-2005

Garantía

Black & Decker confía plenamente en la calidad de sus productos y ofrece una garantía extraordinaria. Esta declaración de garantía es una añadido, y en ningún caso un perjuicio para sus derechos estatutarios. La garantía es válida dentro de los territorios de los Estados Miembros de la Unión Europea y de los de la Zona Europea de Libre Comercio.

Si un producto Black & Decker resultará defectuoso debido a materiales o mano de obra defectuosos o a la falta de conformidad, Black & Decker garantiza, dentro de los 24 meses de la fecha de compra, la sustitución de las piezas defectuosas, la reparación de los productos sujetos a un desgaste y rotura razonables o la sustitución de tales productos para garantizar al cliente el mínimo de inconvenientes, a menos que:

- ◆ El producto haya sido utilizado con propósitos comerciales, profesionales o de alquiler;
- ◆ El producto haya sido sometido a un uso inadecuado o negligente;
- ◆ El producto haya sufrido daños causados por objetos o sustancias extrañas o accidentes;
- ◆ Se hayan realizado reparaciones por parte de personas que no sean los servicios de reparación autorizados o personal de servicios de Black & Decker;

Para reclamar en garantía, será necesario que presente la prueba de compra al vendedor o al servicio técnico de reparaciones autorizado. Pueden consultar la dirección de su servicio técnico más cercano poniéndose en contacto con la oficina local de Black & Decker en la dirección que se indica en este manual. Como alternativa, se puede consultar en Internet, en la dirección siguiente, la lista de servicios técnicos autorizados e información completa de nuestros servicios de postventa y contactos: **www.2helpU.com**.

Regístrese en nuestro sitio Web **www.blackanddecker.com** para mantenerse al día sobre nuestros productos y ofertas especiales. Encontrará información adicional sobre la marca Black & Decker y nuestra gama de productos en **www.blackanddecker.com**.

Utilização

O seu berbequim Black & Decker foi concebido para perfurar madeira, metal, plástico e maçonaria, assim como para fins de aparafusamento.

Esta ferramenta destina-se apenas ao doméstico.

Regras gerais de segurança

Advertência! Leia todas as instruções. O não cumprimento das instruções a seguir podem causar choque eléctrico, incêndio e/ou graves lesões. O termo “ferramenta eléctrica” utilizado a seguir refere-se a ferramentas eléctricas com ligação à corrente eléctrica (com fios) ou operadas a bateria (sem fios).

GUARDE BEM ESTAS INSTRUÇÕES.

1. Área de trabalho

a. Mantenha a sua área de trabalho limpa e arrumada.

Desordem e áreas de trabalho com fraca iluminação podem causar acidentes.

b. Não trabalhar com a ferramenta eléctrica em áreas com risco de explosão, nas quais se encontrem líquidos, gases ou pós inflamáveis.

Ferramentas eléctricas produzem faíscas que podem provocar a ignição de pó e vapores.

c. Mantenha crianças e outras pessoas afastadas da ferramenta eléctrica durante o trabalho com a ferramenta.

Distrações podem causar a falta de controlo sobre a ferramenta.

2. Segurança eléctrica

a. A ficha da ferramenta eléctrica deve caber na tomada. A ficha não deve ser modificada de modo algum. Não utilize quaisquer fichas de adaptação junto com ferramentas eléctricas ligadas à terra.

Fichas sem modificações e tomadas adequadas reduzem o risco de choques eléctricos.

b. Evite que o corpo entre em contacto com superfícies ligadas à terra, como por exemplo tubos, radiadores, fogões e frigoríficos.

Há um risco elevado de choques eléctricos, caso o corpo seja ligado à terra.

c. A ferramenta eléctrica não deve ser exposta à chuva nem humidade.

A penetração de água na ferramenta eléctrica aumenta o risco de choques eléctricos.

d. Manuseie o fio com cuidado. O cabo da ferramenta não deve ser utilizado para o transporte, para pendurar a ferramenta, nem para puxar a ficha da tomada. Mantenha o cabo afastado de calor, óleo, cantos afiados ou partes em movimento da ferramenta.

Cabos danificados ou torcidos aumentam o risco de choques eléctricos.

e. Ao trabalhar com a ferramenta eléctrica ao ar livre, use um cabo de extensão apropriado para áreas externas.

O uso de um cabo apropriado para áreas externas reduz o risco de choques eléctricos.

3. Segurança pessoal

a. Esteja alerta, observe o que está a fazer, e tenha prudência ao trabalhar com a ferramenta eléctrica. Não use a ferramenta eléctrica se estiver cansado ou sob a influência de drogas, álcool ou medicamentos.

Um momento de falta de atenção durante a operação da ferramenta eléctrica pode causar graves lesões.

b. Usar um equipamento pessoal de protecção.

Utilizar sempre óculos de protecção. Equipamento de segurança, como por exemplo, máscara de protecção contra pó, sapatos de segurança anti-derrapantes, capacete de segurança ou protecção auricular, de acordo com o tipo e aplicação da ferramenta eléctrica, reduz o risco de lesões.

c. Evite um accionamento involuntário. Assegure-se de que o interruptor está na posição de desligado antes de o ligar.

O transporte de ferramentas eléctricas com o dedo no interruptor ou a ligação das mesmas que tenham o interruptor ligado provoca acidentes.

d. Remover chaves de ajustes ou chaves de fenda, antes de ligar a ferramenta eléctrica.

Uma chave de fenda ou chave de ajuste que se encontre numa parte móvel da ferramenta, pode levar a lesões.

e. Não se sobrestime. Mantenha-se sempre bem posicionado e em equilíbrio.

Desta forma poderá será mais fácil controlar a ferramenta em situações inesperadas.

f. Use vestuário apropriado. Não use roupa larga ou jóias. Mantenha o cabelo, roupa e luvas afastadas de partes em movimento.

Roupas largas, jóias ou cabelos longos podem ser agarradas por partes em movimento.

g. Se for prevista a montagem de dispositivos de aspiração de pó e de dispositivos de recolha, assegure-se de que estão ligados e que são utilizados de forma correcta.

A utilização destes dispositivos reduz os riscos provocados por pó.

4. Utilização e manutenção da ferramenta eléctrica

a. Não sobrecarregue a ferramenta eléctrica. Use para o seu trabalho a ferramenta eléctrica correcta.

A ferramenta correcta realizará o trabalho de forma melhor e mais segura dentro da potência indicada.

b. Não utilize a ferramenta eléctrica se o interruptor não puder ser ligado nem desligado.

Qualquer ferramenta eléctrica que não possa ser controlada através do interruptor de ligar-desligar é perigosa e deve ser reparada.

c. Desligue a ficha da tomada antes de efectuar ajustes na ferramenta, substituir acessórios ou armazenar a ferramenta eléctrica.

Esta medida de segurança evita que a ferramenta eléctrica seja ligada acidentalmente.

- d. **Mantenha as ferramentas eléctricas que não estiverem a ser utilizadas fora do alcance de crianças. Não permita que a ferramenta seja utilizada por pessoas não familiarizadas com a mesma ou que não tenham lido estas instruções.** As ferramentas eléctricas são perigosas se utilizadas por pessoas não qualificadas.
- e. **Trate a sua ferramenta eléctrica com cuidado. Verifique se as partes móveis da ferramenta funcionam perfeitamente e não emperram, se há peças quebradas ou danificadas, que possam influenciar o funcionamento da ferramenta. As peças danificadas devem ser reparadas antes da utilização da ferramenta.** Muitos acidentes têm como causa uma manutenção insuficiente das ferramentas eléctricas.
- f. **Mantenha as ferramentas de corte sempre afiadas e limpas.** Ferramentas de cortes devidamente tratadas, com cantos afiados travam com menos frequência e podem ser controladas com maior facilidade.
- g. **Use a ferramenta eléctrica, os acessórios e as brocas da ferramenta etc., de acordo com estas instruções e da maneira determinada para este tipo especial de ferramenta eléctrica. Considere também as condições de trabalho e o trabalho a ser efectuado.**

A utilização da ferramenta eléctrica para outros fins que os previstos pode resultar em situações perigosas.

5. Reparação

- a. **A sua ferramenta eléctrica só deve ser reparada por pessoal qualificado e só devem ser colocadas peças sobressalentes originais.** Desta forma é assegurada a segurança da ferramenta eléctrica.

Instruções adicionais de segurança para berbequins de percussão

- ◆ **Utilize protectores auriculares com os berbequins de percussão.** A exposição ao ruído poderá provocar perda de audição.
- ◆ **Utilize os punhos auxiliares fornecidos com a ferramenta.** A perda de controlo da mesma pode provocar ferimentos pessoais.

Segurança eléctrica



Esta ferramenta está duplamente vedada; assim não é necessário fio de terra. Certifique-se sempre de que o fornecimento de energia corresponde à voltagem indicada na placa de especificações.

- ◆ Este aparelho não se destina a ser utilizado por jovens nem por pessoas enfermas sem supervisão. As crianças deverão ser vigiadas para que não mexam no aparelho.

- ◆ Se o cabo de alimentação estiver danificado, deverá ser substituído pelo fabricante ou por um Centro de Assistência autorizado pela Black & Decker, de modo a evitar perigos.

Funções

Esta ferramenta inclui algumas ou todas as seguintes funções.

1. Interruptor de velocidade variável
2. Botão de bloqueio
3. Selector de reversibilidade
4. Indicador de perfuração recta Levelok™
5. Selector de percussão/perfuração
6. Bucha sem chave (KR60(L)/KR70(L))
Bucha Quick Connect™ (KR60QC/KR70QC)
7. Guia de profundidade
8. Punho lateral
9. Armazenamento das brocas

Montagem

Advertência! Certifique-se de que a ferramenta esteja desligada no interruptor e retire a tomada da corrente.

Colocação do punho lateral e da guia de profundidade (fig. A)

- ◆ Rode o punho (10) para a esquerda até que consiga mover o manípulo lateral (8) para a frente da ferramenta como mostrado.
- ◆ Rode o punho lateral até à posição desejada.
- ◆ Introduza a guia de profundidade (7) no orifício de montagem como mostrado.
- ◆ Ajuste a guia de profundidade na posição desejada. A profundidade máxima de perfuração é igual à distância entre a ponta do berbequim e a extremidade frontal da guia de profundidade.
- ◆ Aperte o punho lateral girando-o para a direita.

Colocação de uma broca ou ponta de aparafusar

KR60(L)/KR70(L) – Bucha sem chave (fig. B)

- ◆ Abra a bucha girando a parte frontal (12) com uma mão enquanto segura a parte traseira (11) com a outra.
- ◆ Introduza a broca (13) na bucha e aperte-a firmemente.

KR60QC/KR70QC – Bucha Quick Connect™ (fig. B e C)

Nos modelos em questão a remoção e colocação de buchas é simples. Quando seu projecto envolve perfuração e aparafusamento, coloque uma ponta no veio e uma broca na bucha: com isso só terá que remover a bucha para aparafusar e recolocá-la para perfurar. Pode deixar a ponta de aparafusar no veio enquanto estiver a perfurar. Dessa maneira, poderá também encaixar brocas com o eixo hexagonal.

- ◆ Para colocar uma broca, proceda como acima descrito.
- ◆ Para colocar uma broca de aparafusar, proceda da seguinte forma:
- ◆ Remova a bucha (6).
- ◆ Instale a ponta de aparafusar (16) empurrando-a no veio (15), como mostrado.
- ◆ Para removê-la, puxe o anel (17) para trás e empurre a puxe a ponta retirando-a do veio.

Remoção e colocação da bucha

KR60(L)/KR70(L) – Bucha sem chave (fig. D)

- ◆ Abra a bucha o mais possível.
- ◆ Remova o parafuso de fixação da bucha, localizado na parte da frente da bucha, girando-o para a direita utilizando uma chave de fendas.
- ◆ Aperte a chave Allen (18) na bucha e dê-lhe uma pancada com um martelo como mostrado.
- ◆ Remova a chave Allen.
- ◆ Remova a bucha girando-a para a esquerda.
- ◆ Para voltar a colocar a bucha, aperte-a no fuso e fixe-a com o respectivo parafuso de fixação.

KR60QC/KR70QC – Bucha Quick Connect™ (fig. C)

- ◆ Para remover a bucha (6), prima e segure as linguetas de desengate (14) e puxe a bucha de maneira a retirá-la do veio (15).
- ◆ Para recolocar a bucha, empurre-a sobre o veio até que fique bem travada no lugar.

Advertência! Assegure-se sempre de que a bucha esteja bem instalada.

Utilização

Advertência! Antes de furar paredes, pisos ou tectos, verifique a localização de fios e canos.

Seleção da direcção da rotação

Para furar e apertar parafusos, utilize a rotação “avançar” (sentido dos ponteiros do relógio). Para soltar parafusos ou remover uma broca presa, utilize a rotação “inverter” (sentido anti-horário).

- ◆ Para seleccionar a rotação para avançar, empurre o selector de reversibilidade (3) para a esquerda.
- ◆ Para seleccionar a rotação inversa, empurre o selector para a direita.

Advertência! Nunca mude a direcção da rotação com o motor a funcionar.

Seleção do modo de perfuração

- ◆ Para a perfuração em alvenaria, ajuste o selector de percussão/perfuração (5) para a posição **T**.

- ◆ Para a perfuração noutros materiais ou para aparafusar, ajuste o selector de percussão/perfuração (5) para a posição **1**.

KR60L/KR70L - Indicador de perfuração recta Levelok™

Esta ferramenta está equipada com um indicador para facilitar a perfuração recta. Pode-se utilizar esse recurso tanto na horizontal como na vertical. O indicador activa-se enquanto a ferramenta é ligada à corrente.

- ◆ Posicione a ferramenta conforme o necessário.
- ◆ Movimente lentamente o motor da ferramenta até que o indicador vermelho (4) se mantenha aceso.

Ligar e desligar

- ◆ Para ligar a ferramenta, pressione o interruptor de velocidade variável (1). A velocidade da ferramenta depende de quanto se pressiona o interruptor. Como regra geral, utilize velocidades baixas para brocas de diâmetro elevado e velocidades altas para brocas de diâmetro reduzido.
- ◆ Para o funcionamento contínuo, prima o botão de bloqueio (2) e liberte o interruptor de velocidade variável. Esta opção só está disponível na velocidade máxima.
- ◆ Para desligar a ferramenta, solte o interruptor de velocidade variável. Para desligar a ferramenta quando em funcionamento contínuo, prima uma vez no interruptor de ligar/desligar e liberte-o.

Acessórios

O desempenho da sua ferramenta depende dos acessórios utilizados. Os acessórios da Black & Decker e Piranha são fabricados de acordo com os mais altos padrões de qualidade e são concebidos para melhorar o desempenho da sua ferramenta. Ao utilizar estes acessórios, poderá tirar o maior partido da sua ferramenta.

Manutenção

Esta ferramenta foi desenvolvida para funcionar por um longo período, com um mínimo de manutenção. O funcionamento contínuo e satisfatório depende da limpeza regular e cuidado adequado da ferramenta.

- ◆ Limpe regularmente as ranhuras de ventilação com um pincel limpo e seco.
- ◆ Para limpar a ferramenta, utilize apenas um pano embebido em sabão suave. Evite a entrada de qualquer líquido dentro da ferramenta e nunca coloque qualquer peça da ferramenta debaixo de qualquer líquido.

Protecção do meio ambiente



Recolha em separado. Não deve deitar este produto fora juntamente com o lixo doméstico normal.



Kevin Hewitt

Director de Engenharia do Consumo
Spennymoor, County Durham DL16 6JG,
Reino Unido
1-9-2005

Caso chegue o momento em que um dos seus produtos Black & Decker precise de ser substituído ou decida desfazer-se do mesmo, não o deite fora juntamente com o lixo doméstico. Torne este produto disponível para uma recolha em separado.



A recolha em separado de produtos e embalagens utilizados permite que os materiais sejam reciclados e reutilizados. A reutilização de materiais reciclados ajuda a evitar a poluição ambiental e a reduzir a procura de matérias-primas.

Os regulamentos locais poderão providenciar a recolha em separado de produtos eléctricos junto das casas, em lixeiras municipais ou junto dos fornecedores ao adquirir um novo produto.

A Black & Decker oferece um serviço de recolha e reciclagem de produtos Black & Decker que tenha atingido o fim das suas vidas úteis. Para tirar proveito deste serviço, devolva seu produto a qualquer agente de reparação autorizado, que se encarregará de recolher o equipamento em nosso nome.

Para verificar a localização do agente de reparação mais próximo de si, contacte o escritório local da Black & Decker no endereço indicado neste manual. Se preferir, consulte a lista de agentes autorizados da Black & Decker e os dados completos dos nossos serviços de atendimento pós-venda na Internet no endereço: www.2helpU.com

Dados técnicos

		KR60	KR70
Voltagem	V _{AC}	230	230
Potência de entrada	W	600	730
Velocidade sem carga	min ⁻¹	0-3.000	0-3.000
Peso	kg	2,3	2,3

Capacidade máxima de perfuração

Aço/betão	mm	13	13
Madeira	mm	25	25

Declaração de conformidade CE

KR60/KR70

A Black & Decker declara que estes produtos estão em conformidade com a:
98/37/CEE, 89/336/CEE, 73/23/CEE, EN 55014, EN 60745,
EN 61000

L_{PA} (pressão acústica) 97,3 dB(A),

L_{WA} (potência acústica) 108,3 dB(A),

vibração medida da mão/braço de 10,7 m/s²

K_{PA} (imprecisão da pressão acústica) 3 dB(A),

K_{WA} (imprecisão da potência acústica) 3 dB(A)

Garantia

A Black & Decker confia na qualidade de seus produtos e oferece um programa de garantia excelente. Esta declaração de garantia soma-se aos seus direitos legais e não os prejudica em nenhum aspecto. A garantia será válida nos territórios dos Estados Membros da União Europeia e na Área de Livre Comércio da Europa.

Caso algum produto da Black & Decker apresente avarias devido a defeitos de material, mão-de-obra ou ausência de conformidade no prazo de 24 meses a partir da data de compra, a Black & Decker garantirá a substituição das peças defeituosas, a reparação dos produtos que foram submetidos a uso adequado e remoção ou substituição dos mesmos para assegurar o mínimo de inconvenientes ao cliente a menos que:

- ◆ O produto tenha sido utilizado para fins comerciais, profissionais ou aluguer;
- ◆ O produto tenha sido submetido a uso incorrecto ou descuido;
- ◆ O produto tenha sofrido danos causados por objectos estranhos, substâncias ou acidentes;
- ◆ Tenha um histórico de reparações efectuadas por terceiros que não sejam os agentes autorizados ou profissionais de manutenção da Black & Decker.

Para activar a garantia, será necessário enviar a prova de compra ao revendedor ou agente de reparação autorizado. Para verificar a localização do agente de reparação mais próximo de si contacte o escritório local da Black & Decker no endereço indicado neste manual. Se preferir, consulte a lista de agentes autorizados da Black & Decker e os dados completos dos nossos serviços de atendimento pós-venda na Internet no endereço: www.2helpU.com.

Registe-se na nossa página da Internet em www.blackanddecker.com para se manter actualizado sobre novos produtos e ofertas especiais. Estão disponíveis mais informações sobre a Black & Decker e sobre a nossa gama de produtos em www.blackanddecker.com.

Användningsområde

Din slagbormaskin från Black & Decker kan användas för borring i trä, metall, plast och murverk, och dessutom för skruvdragning. Verktyget är endast avsett som konsumentverktyg.

Allmänna säkerhetsregler

Varning! Samtliga anvisningar ska läsas. Fel som uppstår till följd av att anvisningarna nedan inte följts kan orsaka elchock, brand och/eller allvarliga kroppsskador. Nedan använd begrepp "Elverktyg" hänför sig till nätdrivna elverktyg (med nätsladd) och till batteridrivna elverktyg (sladdlösa).
TA VÅL VARA PÅ SÄKERHETSANVISNINGARNA.

1. Arbetsområde

- Håll arbetsplatsen ren och välbelyst.** Oordning på arbetsplatsen och dåligt belyst arbetsområde kan leda till olyckor.
- Använd inte elverktyget i explosionsfarlig omgivning med brännbara vätskor, gaser eller damm.** Elverktyg alstrar gnistor som kan antända dammet eller gaserna.
- Håll under arbetet med elverktyget barn och obehöriga personer på betryggande avstånd.** Om du störs av obehöriga personer kan du förlora kontrollen över elverktyget.

2. Elektrisk säkerhet

- Elverktygets stickpropp måste passa till vägguttaget. Stickproppen får absolut inte förändras. Använd inte adapterkontakter tillsammans med skyddsjordade elverktyg.** Oförändrade stickproppar och passande vägguttag reducerar risken för elchock.
- Undvik kroppskontakt med jordade ytor som t. ex. rör, värmeelement, spisar och kylskåp.** Det finns en större risk för elchock om din kropp är jordad.
- Skydda elverktyget mot regn och väta.** Tränger vatten in i ett elverktyg ökar risken för elchock.
- Misshandla inte nätsladden. Använd inte sladden för att bära eller hänga upp elverktyget och inte heller för att dra stickproppen ur vägguttaget. Håll nätsladden på avstånd från värme, olja, skarpa kanter och rörliga maskindelar.** Skadade eller tilltrasslade sladdar ökar risken för elchock.
- Använd när du arbetar med ett elverktyg utomhus endast förlängningssladdar som är godkända för utomhusbruk.** Om en avsedd förlängningssladd för utomhusbruk används minskar risken för elchock.

3. Personlig säkerhet

- Var uppmärksam, se på vad du gör och använd elverktyget med förnuft. Använd inte elverktyget när du är trött eller om du är påverkad av droger, alkohol eller mediciner.**

Under användning av elverktyg kan även en kort uppmärksamhet leda till allvarliga kroppsskador.

- Använd personlig skyddsutrustning. Bär alltid skyddsglasögon.** Den personliga skyddsutrustningen som t.ex. dammfiltermask, halkfria säkerhetsskor, hjälm eller hörselskydd – med beaktande av elverktygets modell och driftsätt – reducerar risken för kroppsskada.
 - Undvik oavsiktlig igångsättning. Kontrollera att strömbrytaren står i avstängt läge innan du kopplar elverktyget till nätet.** Det kan vara mycket farligt att bära ett elverktyg med fingret på strömbrytaren eller koppla det till nätet med strömbrytaren i till-läge.
 - Ta bort alla inställningsverktyg och skruvnycklar innan du startar elverktyget.** Ett verktyg eller en nyckel i en roterande komponent kan medföra kroppsskada.
 - Sträck dig inte för långt. Se till att du alltid har säker fötställe och balans.** På så sätt kan du lättare kontrollera elverktyget i oväntade situationer.
 - Bär lämpliga kläder. Bär inte löst hängande kläder eller smycken. Håll hår, kläder och handskar undan från rörliga delar.** Löst hängande kläder, smycken och långt hår kan dras in av roterande delar.
 - Vid elverktyg med dammutsugnings- och - uppsamlingsutrustning kontrollera att anordningarna är rätt monterade och används på korrekt sätt.** Dessa anordningar reducerar riskerna i samband med damm.
- Bruk och skötsel av elverktyg**
 - Överbelasta inte elverktyget. Använd rätt elverktyg för det aktuella arbetet.** Med ett lämpligt elverktyg kan du arbeta bättre och säkrare inom angivet effektområde.
 - Ett elverktyg med defekt strömbrytare får inte användas.** Ett elverktyg som inte kan kopplas till eller från är farligt och måste repareras.
 - Dra stickproppen ur vägguttaget innan inställningar utförs, tillbehörsdelar byts ut eller elverktyget ställs undan.** Denna skyddsåtgärd förhindrar oavsiktlig inkoppling av elverktyget.
 - Förvara elverktygen oåtkomliga för barn. Låt inte elverktyget användas av personer som inte är förtrogna med dess användning eller inte läst denna anvisning.** Elverktygen är farliga om de används av oerfarna personer.
 - Sköt elverktyget omsorgsfullt. Kontrollera att rörliga komponenter fungerar felfritt och inte kärvar, att komponenter inte brustit eller skadats och inget annat föreligger som kan påverka elverktygets funktioner. Låt skadade delar repareras innan elverktyget används på nytt.** Många olyckor orsakas av dåligt skötta elverktyg.
 - Håll skärverktyg skarpa och rena.** Omsorgsfullt skötta skärverktyg med skarpa eggar fastnar inte så lätt och går lättare att styra.

- g. Använd elverktyget, tillbehör, insatsverktyg osv. enligt dessa anvisningar och på sätt som föreskrivits för aktuell verktygsmodell. Ta hänsyn till arbetsvillkoren och arbetsmomenten.** Används elverktyget på icke ändamålsenligt sätt kan farliga situationer uppstå.

5. Service

- a. Låt elverktyget endast repareras av kvalificerad fackpersonal och med originalreservdelar.**

Detta garanterar att elverktygets säkerhet bibehålls.

Extra säkerhetsföreskrifter för slagborrar

- ◆ **Bär öronskydd vid arbete med en slagborr.**
Bullerexponering kan orsaka hörselskador.
- ◆ **Använd hjälphandtagen som levererades med verktyget.** Kontrollförlust kan orsaka personskador.

Elektrisk säkerhet



Eftersom verktyget är dubbelisolerat behövs ingen jordledare. Kontrollera alltid att nätspänningen överensstämmer med värdet på märkplåten.

- ◆ Ungdomar eller personer med svag hälsa får inte använda verktyget utan tillsyn. Håll uppsyn så att inga barn leker med apparaten.
- ◆ Om nätsladden är skadad måste den bytas ut av tillverkaren eller en godkänd Black & Decker serviceverkstad för att undvika risker.

Funktioner

Verktyget har en del eller samtliga av nedanstående funktioner.

1. Strömbrytare
2. Låsknapp
3. Reglage höger- vänstergång
4. Levelok™ riktningssindikator
5. Omkopplare för borrhingsläge
6. Snabbchuck (KR60(L)/KR70(L))
Quick Connect™ chuck (KR60QC/KR70QC)
7. Djupanslag
8. Sidohandtag
9. Bitsmagasin

Montering

Varning! Kontrollera att verktyget är avstängt samt att sladden är utdragen.

Montering av sidohandtaget och djupanslaget (fig. A)

- ◆ Vrid greppet (10) motsols tills handtaget (8) kan skjutas på framtill på bormaskinen enligt bild.
- ◆ Vrid sidohandtaget till önskat läge.

- ◆ För in djupanslaget (7) i monteringshålet enligt bilden.
- ◆ Ställ djupanslaget i önskat läge. Det största borrhjupet motsvarar avståndet mellan spetsen på bormaskinen och djupanslagets framkant.
- ◆ Drag åt sidohandtaget genom att vrida greppet medsols.

Placering av borr och skruvbits

KR60(L)/KR70(L) - Snabbchuck (fig. B)

- ◆ Öppna chocken genom att vrida den främre delen (12) med en hand medan du håller den bakre delen (11) på plats med den andra handen.
- ◆ Sätt i bitshållaren (13) i chocken och drag åt chocken ordentligt.

KR60QC/KR70QC - Quick Connect™ chuck (fig. B & C)

På dessa modeller kan chocken lätt tagas av och sättas tillbaka. Om ditt arbete omfattar både skruvdragning och borrhning kan du sätta ett bits i spindeln och ett borr i chocken: då behöver du bara ta bort chocken när du skall skriva och sätta tillbaka den när du skall borra. Bitset kan sitta kvar i spindeln när du borrar.

Även borr med sexkant skaft kan monteras på detta sätt.

- ◆ Ett borr monteras enligt ovanstående beskrivning.
- ◆ Gör så här för montering av en skruvmejsel:
- ◆ Avlägsna chocken (6).
- ◆ Montera ett nytt bits (16) genom att skjuta in det i spindeln (15) enligt bilden.
- ◆ Tag bort bitset genom att dra ringen (17) bakåt och dra ut bitset ur spindeln.

Montering och bortlagning av chocken

KR60(L)/KR70(L) - Snabbchuck (fig. D)

- ◆ Öppna chocken så mycket det går.
- ◆ Avlägsna chockens monteringskruv, denna sitter i chockens framsida, genom att vrida den medsols med en skruvmejsel.
- ◆ Sätt i en insexnyckel (18) i chocken. Slå med ett lätt slag med en hammare enligt bild.
- ◆ Ta bort insexnyckeln.
- ◆ Ta bort chocken genom att vrida den motsols.
- ◆ Sätt tillbaka chocken genom att skriva den på spindeln och lås fast den med fästskruven.

KR60QC/KR70QC - Quick Connect™ chuck (fig. C)

- ◆ Tag bort chocken (6) genom att hålla spärrknapparna (14) intryckta och dra chocken från spindeln (15).
- ◆ Sätt tillbaka chocken genom att skjuta den över spindeln tills den sitter stadigt på plats.

Varning! Kontrollera alltid att chocken sitter fast ordentligt.

Användning

Varning! Kontrollera var de elektriska ledningarna och rörledningarna är installerade innan du borrar i väggar, golv och tak.

Höger-/vänstergång

När du borrar och drar i skruvar ska verktyget rotera framåt (medurs). För att lossa skruvar eller ta loss ett borr, som har kört fast, används rotation bakåt (motsols).

- ◆ Välj rotation framåt genom att föra reglaget (3) åt vänster.
- ◆ Välj rotation bakåt genom att föra reglaget åt höger.

Varning! Ändra aldrig rotationsriktning när motorn är igång.

Borrningsläge

- ◆ För borrning i murverk ska omkopplaren för borrningsläge (5) ställas i läget **T**.
- ◆ För borrning i andra material och för skruvdragning ska omkopplaren för borrningsläge (5) ställas i läget **2**.

KR60L/KR70L - Levelok™ riktningsindikator

Verktyget är försett med en indikator som gör det lättare att borra rakt. Den kan användas både horisontellt och vertikalt. Indikatorn aktiveras när verktyget kopplas till elnätet.

- ◆ Håll verktyget på önskat sätt.
- ◆ Flytta försiktigt på verktygets bakre del tills den röda indikatorn (4) tänds och fortsätter lysa.

Starta och stoppa verktyget

- ◆ Starta verktyget genom att trycka på strömbrytaren/hastighetskontrollen (1). Verktygets hastighet beror på hur långt brytaren trycks in. Normalt använder man låga varvtal för borr med stor diameter, och höga varvtal för borr med mindre diameter.
- ◆ Tryck in låsknappen (2) och släpp strömbrytaren om du vill att verktyget ska gå hela tiden. Du kan bara göra detta vid maximalt varvtal.
- ◆ Stanna verktyget genom att släppa den steglösa strömbrytaren. För att stanna verktyget när det är inställt på kontinuerlig gång, så trycker du en gång till på strömbrytaren, och släpper sedan upp den.

Tillbehör

Verktygets användningsområde beror på vilket tillbehör du väljer. Black & Decker- och Piranhatillbehören är av hög kvalitet. Genom att använda dessa tillbehör kan du få ut mesta möjliga av verktyget.

Skötsel

Ditt verktyg har tillverkats för att fungera under lång tid med ett minimum av underhåll. Med rätt underhåll och regelbunden rengöring behåller verktyget sina prestanda.

- ◆ Rengör luftsprängorna regelbundet med en ren och torr målarpensel.
- ◆ Använd enbart svaga tvålmedel och fuktig trasa för att rengöra verktyget. Låt aldrig vätska komma in i verktyget och låt verktyget (eller någon del) aldrig hamna i någon vätska.

Miljöskydd



Särskild insamling. Denna produkt får inte kastas bland vanliga hushållssopor.

Om du någon gång i framtiden behöver ersätta din Black & Decker-produkt med en ny, eller inte längre behöver den, ska du inte kasta den i hushållssoporna. Denna produkt skall lämnas till särskild insamling.



Efter insamling av använda produkter och förpackningsmaterial kan materialen återvinnas och användas på nytt. Användning av återvunna material skonar miljön och minskar förbrukningen av råvaror.

Enligt lokal lagstiftning kan det förekomma särskilda insamlingar av uttjänt elutrustning från hushåll, antingen vid kommunala miljöstationer eller hos detaljhandlaren när du köper en ny produkt.

Black & Decker erbjuder en samlings- och återvinningstjänst för Black & Decker-produkter när de en gång har tjänat ut. För att använda den här tjänsten lämnar du in produkten till en auktoriserad B & D –reparatör/representant som tar hand om den för din räkning.

Närmaste auktoriserad Black & Decker-representant finner du genom det lokala Black & Decker-kontoret på adressen i den här manualen. Annars kan du söka på Internet, på listan över auktoriserade Black & Decker-representanter och alla uppgifter om vår kundservice och andra kontakter. www.2helpU.com

Tekniska data

	KR60	KR70
Spänning	V _{AC} 230	230
Ineffekt	W 600	730
Obelastad hastighet	min ⁻¹ 0-3.000	0-3.000
Vikt	kg 2,3	2,3

Maximal borrkapacitet

Stål/betong	mm 13	13
Trä	mm 25	25

EC-förklaring om överensstämmelse

KR60/KR70

Black & Decker förklarar att dessa produkter överensstämmer med:

98/37/EEG, 89/336/EEG, 73/23/EEG, EN 55014, EN 60745, EN 61000

L_{pA} (bullertryck) 97,3 dB(A), L_{WA} (akustisk effekt) 108,3 dB(A),
vägt geometriskt vibrationsvärde hand/arm 10,7 m/s²

K_{pA} (osäkerhet bullertryck) 3 dB(A),
 K_{WA} (osäkerhet akustisk effekt) 3 dB(A)



Kevin Hewitt

Director of Consumer Engineering
Spennymoor, County Durham DL16 6JG,
Storbritannien
1-9-2005

Reservdelar / reparationer

Reservdelar finns att köpa hos auktoriserade Black & Decker verkstäder, som även ger kostnadsförslag och reparerar våra produkter.

Förteckning över våra auktoriserade verkstäder finns på Internet, vår hemsida www.blackdecker.se samt www.2helpU.com.

Garanti

Black & Decker garanterar att produkten är fri från material- och/eller fabriktionsfel vid leverans till kund. Garantin är i tillägg till konsumentens lagliga rättigheter och påverkar inte dessa. Garantin gäller inom medlemsstaterna i Europeiska Unionen och i det Europeiska Frihandelsområdet.

Om en Black & Decker produkt går sönder på grund av material- och/eller fabriktionsfel eller brister i överensstämmelse med specifikationen, inom 24 månader från köpet, åtar sig Black & Decker att reparera eller byta ut produkten med minsta besvär för kunden.

Garantin gäller inte för fel som beror på:

- ◆ normalt slitage
- ◆ felaktig användning eller skötsel
- ◆ att produkten skadats av främmande föremål, ämnen eller genom olyckshändelse

Garantin gäller inte om reparation har utförts av någon annan än en auktoriserad Black & Decker verkstad.

För att utnyttja garantin skall produkten och inköpskvittot lämnas till återförsäljaren eller till en auktoriserad verkstad senast 2 månader efter det att felet har upptäckts. För information om närmaste auktoriserad verkstad; kontakta det lokala Black & Decker kontoret på den adress som är angiven i bruksanvisningen. En lista på alla auktoriserade verkstäder samt servicevillkor finns även tillgängligt på Internet, adress: www.2helpU.com.

Var god registrera dig på vår webbsajt www.blackanddecker.com för att erhålla information om nya produkter och specialerbjudanden. Vidare information om märket Black & Decker och vårt produktsortiment kan återfinnas på www.blackanddecker.com.

Bruksområde

Din Black & Decker hammerdrill er utformet for boring i tre, metall, plast og murverk, samt bruk som skrutrekker. Verktøyet er tiltenkt kun som konsumentverktøy.

Generelle sikkerhetsforskrifter

Advarsel! Les gjennom alle anvisningene. Hvis anvisningene nedenfor ikke overholdes, kan det medføre elektrisk støt, brann og/eller alvorlige skader. Uttrykket «elektroverktøy» i alle advarsler nedenfor gjelder for strømledende elektroverktøy (med ledning) og batteridrevne elektroverktøy (uten ledning).
TA GODT VARE PÅ DISSE ANVISNINGENE.

1. Arbeidsplassen

- a. **Hold arbeidsområdet rent og godt opplyst.** Rotete arbeidsområder og arbeidsområder uten godt lys kan føre til ulykker.
- b. **Ikke arbeid med elektroverktøy i eksplosjonsfarlige omgivelser – der det finnes seg brennbare væsker, gass eller støv.** Elektroverktøy forårsaker gnister som kan antenne støv eller damper.
- c. **Hold barn og andre personer unna når elektroverktøyet brukes.** Hvis du blir forstyrret under arbeidet, kan du miste kontrollen.

2. Elektrisk sikkerhet

- a. **Støpselet til elektroverktøyet må passe inn i stikkkontakten. Støpselet må ikke forandres på noen som helst måte. Ikke bruk adapterstøpsler sammen med jordete elektroverktøy.** Bruk av originale støpsler og passende stikkontakter reduserer risikoen for elektrisk støt.
- b. **Unngå kroppskontakt med jordete overflater som rør, radiatorer, komfyrer og kjøleskap.** Det er større fare for elektrisk støt hvis kroppen din er jordet.
- c. **Hold elektroverktøy unna regn eller fuktighet.** Dersom det kommer vann i et elektroverktøy, øker risikoen for elektrisk støt.
- d. **Unngå uforvarlig behandling av ledningen. Elektroverktøyet må aldri bæres eller trekkes etter ledningen, og trekk heller ikke ut støpselet ved å rykke i ledningen. Hold ledningen unna varme, olje, skarpe kanter eller bevegelige deler.** Med skadde eller sammenflokete ledninger øker risikoen for elektrisk støt.
- e. **Når du arbeider utendørs med et elektroverktøy, må du kun bruke en skjøteledning som er godkjent til utendørs bruk.** Ved å bruke en skjøteledning som er egnet for utendørs bruk, reduseres risikoen for elektrisk støt.

3. Personssikkerhet

- a. **Vær oppmerksom, pass på hva du gjør og gå fornuftig fram når du arbeider med et elektroverktøy. Ikke bruk elektroverktøy når du er trett eller er påvirket av narkotika, alkohol eller medikamenter.**

Et øyeblikks uoppmerksomhet under bruk av verktøyet kan føre til alvorlige personskader.

- b. **Bruk personlig verneutstyr. Bruk alltid vernebriller.** Bruk av personlig verneutstyr, for eksempel støvmaske, sklislire vernesko, hjelm eller hørselsvern som passer til forholdene, reduserer risikoen for personskader.
 - c. **Unngå utilsiktet start av elektroverktøyet. Påse at bryteren står i posisjon "AV" før verktøyet koples til.** Det kan føre til ulykker hvis du bærer elektroverktøyet med fingeren på bryteren, eller kopler til verktøyet når bryteren ikke står i posisjon "AV".
 - d. **Fjern innstillingsverktøy eller skrunøkler før du slå på elektroverktøyet.** Et verktøy eller en nøkkel som befinner seg i en roterende del, kan føre til personskade.
 - e. **Ikke strekk deg for langt. Pass på at du alltid har sikkert fotfeste og god balanse.** Da kan du kontrollere elektroverktøyet bedre i uventede situasjoner.
 - f. **Bruk alltid egnede klær. Ikke bruk løstsittende klær eller smykker. Hold hår, klær og hansker unna bevegelige deler.** Løstsittende tøy, smykker eller langt hår kan komme inn i bevegelige deler.
 - g. **Hvis det kan monteres støvavsug- og oppsamlingsinnretninger, må du forvisse deg om at disse er tilkoblet og brukes på korrekt måte.** Bruk av disse innretningene reduserer farer i forbindelse med støv.
- ### 4. Aktsom håndtering og bruk av elektroverktøy
- a. **Ikke bruk makt på elektroverktøyet. Bruk et elektroverktøy som er beregnet på den type arbeid du vil utføre.** Med et passende elektroverktøy arbeider du bedre og sikrere i det angitte effektområdet.
 - b. **Ikke bruk elektroverktøy med defekt strømbryter.** Et elektroverktøy som ikke lenger kan slås av eller på med bryteren, er farlig og må repareres.
 - c. **Trekk støpselet ut av stikkkontakten før du utfører innstillinger på elektroverktøyet, skifter tilbehørsdeler eller legger elektroverktøyet bort.** Disse tiltakene reduserer risikoen for en utilsiktet start av elektroverktøyet.
 - d. **Elektroverktøy som ikke er i bruk, må oppbevares utilgjengelig for barn. Ikke la verktøyet brukes av personer som ikke er fortrolig med dette, eller som ikke har lest disse bruksanvisningene.** Elektroverktøy er farlige når de brukes av uerfarne personer.
 - e. **Vær nøye med vedlikehold av elektroverktøy. Kontroller om bevegelige deler fungerer feilfritt og ikke klemmes fast, om deler er brukket eller skadet og andre forhold som kan innvirke på elektroverktøets funksjon. Hvis elektroverktøyet er skadet, må det repareres før bruk.** Dårlig vedlikeholdte elektroverktøy er årsaken til mange uhell.
 - f. **Hold skjæreverktøy skarpe og rene.** Godt vedlikeholdte skjæreverktøy med skarpe egger setter seg ikke så ofte fast og er lettere å føre.

- g. Bruk elektroverktøy, tilbehør, bits osv. i henhold til disse anvisningene og slik det er foreskrevet for denne spesielle verktøytypen. Ta hensyn til arbeidsforholdene og arbeidet som skal utføres.** Bruk av elektroverktøy til andre formål enn det som er angitt, kan føre til farlige situasjoner.

5. Service

- a. Elektroverktøyet ditt skal alltid repareres av kvalifisert personell og kun med originale reservedeler.** Dette forsikrer at elektroverktøyet sikkerhet opprettholdes.

Ekstra sikkerhetsinstruksjoner for slagbor

- ◆ **Bruk hørselvern når du bruker slagbor.** Hvis du utsettes for støy, kan du miste hørselen.
- ◆ **Bruk ekstrahåndtakene som følger med verktøyet.** Hvis du mister kontrollen, kan det oppstå personskade.

Elektrisk sikkerhet



Dette apparatet er dobbeltisolert. Derfor er ikke jording nødvendig. Kontroller at nettspenningen er i overensstemmelse med spenningen på typeskiltet.

- ◆ Dette apparatet er ikke beregnet for bruk av unge eller uerfarne personer uten tilsyn. Barn må ha tilsyn for å sikre at de ikke leker med apparatet.
- ◆ Hvis strømfledningen skades, må den skiftes ut av fabrikanten eller et autorisert Black & Decker servicesenter for å unngå fare.

Funksjoner

Dette verktøyet har noen av eller alle følgende funksjoner:

1. Trinnløs strømbryter
2. Låseknapp
3. Bryter for høyre-/venstregange
4. Levelok™ indikator for rett boring
5. Velger for boremodus
6. Hurtigchuck (KR60(L)/KR70(L))
Quick Connect™-chuck (KR60QC/KR70QC)
7. Dybdestopp
8. Sidehåndtak
9. Bitsoppbevaring

Montering

Advarsel! Kontroller at verktøyet er slått av, og at ledningen er trukket ut.

Sette på sidehåndtaket og dybdestoppet (fig. A)

- ◆ Drei grepet (10) mot klokken til du kan skyve sidehåndtaket (8) inn på forsiden av verktøyet, som vist.
- ◆ Drei sidehåndtaket til ønsket posisjon.
- ◆ Sett dybdestoppet (7) inn i festehullet, som vist.

- ◆ Still dybdestoppet til ønsket posisjon. Største boreddybde tilsvarer avstanden mellom tuppen av boret og forsiden av dybdestoppet.
- ◆ Stram sidehåndtaket ved å dreie det med klokken.

Isetting av bor og bits

KR60(L)/KR70(L) - Hurtigchuck (fig. B)

- ◆ Åpne chucken ved å dreie den forreste delen (12) med den ene hånden, mens du holder i den bakerste delen (11) med den andre hånden.
- ◆ Sett tilbehøret (13) inn i chucken, og stram chucken godt.

KR60QC/KR70QC - Quick Connect™-chuck (fig. B & C)

Det er lett å ta av chucken og sette den på igjen på disse modellene. Hvis du både skal bore og skru, setter du en bits i spindelen og et bor i chucken, da trenger du bare å ta av chucken når du skal skru og sette den på igjen når du skal bore. Bitsen kan stå i spindelen under boring. Også bor med sekskantskift kan monteres på denne måten.

- ◆ Følg fremgangsmåten ovenfor når du skal feste et bor.
- ◆ Gjør slik for å feste en skrutrekkerbits:
- ◆ Ta av chucken (6).
- ◆ Sett inn en bits (16) ved å trykke den inn på spindelen (15) som vist.
- ◆ Du fjerner bitsen ved å trekke ringen (17) tilbake og trekke bitsen av spindelen.

Ta av og sette på chucken

KR60(L)/KR70(L) - Hurtigchuck (fig. D)

- ◆ Åpne chucken så mye som mulig.
- ◆ Fjern skruen som holder fast chucken, på forsiden av chucken, ved å skru den med klokken ved hjelp av en skrutrekker.
- ◆ Sett en sekskantnøkkel (18) inn i chucken, og slå med et lett slag med en hammer, som vist.
- ◆ Fjern sekskantnøkkelen.
- ◆ Fjern chucken ved å dreie den mot klokken.
- ◆ Du setter på chucken igjen ved å skru den inn på spindelen og feste den med festeskruen.

KR60QC/KR70QC - Quick Connect™-chuck (fig. C)

- ◆ Når du skal ta av chucken (6), holder du utløserne (14) nede og trekker chucken av spindelen (15).
- ◆ Chucken settes på igjen ved å trykke den inn på spindelen til den sitter godt på plass.

Advarsel! Kontroller alltid at chucken er riktig festet.

Bruk

Advarsel! Før boring i vegger, gulv eller tak, må du undersøke hvor ledninger og rør befinner seg.

Høyre-/venstregange

Til boring og isetting av skruer skal verktøyet rotere forover (med klokken). For å løsne skruer eller fjerne et blokkert bor bruker du rotasjon bakover (mot klokken).

- ◆ For å velge rotasjon forover trykker du bryteren (3) mot venstre.
- ◆ For å velge rotasjon bakover trykker du bryteren mot høyre.

Advarsel! Du må aldri bytte rotasjonsretning mens motoren er i gang.

Velg boremodus

- ◆ Ved boring i murverk stilles velgeren (5) til posisjonen **T**.
- ◆ Ved boring i annet materiale og skrutrekking, stilles velgeren (5) til posisjonen **1**.

KR60L/KR70L - Levelok™ indikator for rett boring

Dette verktøyet er utstyrt med en indikator som gjør det lettere å bore rett. Denne funksjonen kan brukes både i vannrett og loddrett stilling. Indikatoren aktiveres mens verktøyet er koplet til strøm.

- ◆ Sett verktøyet i ønsket stilling.
- ◆ Beveg bakre ende av verktøyet til den røde indikatoren (4) lyser.

Strømbryter

- ◆ Trykk på den trinnløse strømbryteren (1) for å slå verktøyet på. Verktøyets hastighet er avhengig av hvor langt inn du trykker bryteren. Vanligvis bør en bruke lave hastigheter til bor med stor diameter og høye hastigheter for bor med mindre diameter.
- ◆ Trykk på låseknappen (2) for kontinuerlig drift, og slipp strømbryteren. Dette alternativet er kun tilgjengelig ved full hastighet.
- ◆ Slipp strømbryteren for å slå verktøyet av. Slå av verktøyet når det er i kontinuerlig drift ved å trykke en gang til på strømbryteren og slippe den.

Tilbehør

Verktøyets bruksområde er avhengig av hvilket tilbehør du velger. Tilbehør fra Black & Decker og Piranha er utformet i henhold til høye kvalitetsstandarder og er utformet for å gi optimal ytelse ved bruk sammen med ditt verktøy. Når du bruker dette tilbehøret, får du optimal ytelse fra ditt verktøy.

Vedlikehold

Ditt verktøy har blitt utformet for å være i drift over en lang periode med et minimum av vedlikehold. Med riktig vedlikehold og regelmessig rengjøring beholder verktøyet ytelsen.

- ◆ Rengjør ventilasjonsåpningene regelmessig med en ren, tørr malerkost.

- ◆ Bruk kun mild såpe og fuktig klut ved rengjøring av verktøyet. Pass på at det ikke kommer væske inn i verktøyet, og ikke dypp noen deler av verkøyet i væske.

Miljøvern



Kildesortering. Dette produktet må ikke kastes i det vanlige husholdningsavfallet.

Hvis du finner ut at Black & Decker-produktet ditt må skiftes ut, eller hvis du ikke lenger har bruk for det, må du unnlate å kaste det sammen med det vanlige husholdningsavfallet. Sørg for at dette produktet gjøres tilgjengelig for kildesortering.



Kildesortering av brukte produkter og emballasje gjør det mulig å resirkulere materialer og bruke dem igjen. Gjenbruk av resirkulerte materialer bidrar til å forhindre forurensning av miljøet og reduserer behovet for råmaterialer.

Lokale regelverk kan legge tilrette for kildesortering av elektriske produkter fra husholdningen, ved kommunale deponier eller gjennom forhandleren når du kjøper et nytt produkt.

Black & Decker har tilrettelagt for innsamling og resirkulering av Black & Decker-produkter etter at de har utspilt sin rolle. Ønsker du å benytte deg av denne tjenesten, returnerer du produktet ditt til et autorisert serviceverksted, som tar det imot og formidler det videre.

Du kan få adressen til ditt nærmeste autoriserte serviceverksted ved å kontakte ditt lokale Black & Decker-kontor på adressen oppgitt i denne håndboken. Du kan også finne en komplett liste over autoriserte Black & Decker-serviceverksteder og utfyllende informasjon om vår etter salg-service og kontaktnumre på Internett på følgende adresse: www.2helpU.com

Tekniske data

	KR60	KR70
Spenning	V _{AC} 230	230
Inn-effekt	W 600	730
Hastighet ubelastet	min ⁻¹ 0-3.000	0-3.000
Vekt	kg 2,3	2,3

Maks. borekapasitet

Stål/betong	mm 13	13
Tre	mm 25	25

Samsvarserklæring for EU

KR60/KR70

Black & Decker erklærer at disse produktene overholder:
98/37/EØF, 89/336/EØF, 73/23/EØF, EN 55014, EN 60745,
EN 61000

L_{pA} (lydtrykk) 97,3 dB(A), L_{WA} (akustisk effekt) 108,3 dB(A),
hånd/arm-vektet vibrasjon 10,7 m/s²

K_{pA} (lydtrykksusikkerhet) 3 dB(A),
 K_{WA} (usikkerhet i akustisk effekt) 3 dB(A)



Kevin Hewitt

Adm. dir. for forbrukerteknikk
Spennymoor, County Durham DL16 6JG,
Storbritannia
1-9-2005

Reservdeler / reparasjoner

Reservdeler kan kjøpes hos autoriserte Black & Decker serviceverksteder, som også gir kostnadsoverslag og reparerer våre produkter.

Oversikt over våre autoriserte serviceverksteder finnes på Internet, vår hjemmeside www.blackdecker.no samt www.2helpU.com.

Garanti

Black & Decker garanterer at produktet ikke har material- og/eller fabrikkasjonsfeil ved levering til kunde. Garantien er i tillegg til kundens lovlige rettigheter og påvirker ikke disse. Garantien gjelder innen medlemsstatene i den Europeiske Unionen og i det Europeiske Frihandelsområdet.

Hvis et Black & Decker produkt går i stykker på grunn av material- og/eller fabrikkasjonsfeil eller har mangler i forhold til spesifikasjonene, innen 24 måneder fra kjøpet, påtar Black & Decker seg å reparere eller bytte ut produktet med minst mulig vanskelighet for kunden.

Garantien gjelder ikke for feil som kommer av:

- ◆ normal slittasje
- ◆ feilaktig bruk eller vedlikehold (mislighold)
- ◆ at produktet har blitt skadet av fremmede gjenstander, emner eller ved et uhell

Det gjøres oppmerksom på at produktet ikke er beregnet på industriell/profesjonell/yrkesmessig bruk, men til hus- og hjemmebruk.

Garantien gjelder ikke om reparasjoner har blitt utført av noen andre enn et autorisert Black & Decker serviceverksted.

For å ta garantien i bruk skal produktet og kjøpekvittring leveres til forhandleren eller til et autorisert serviceverksted senest 2 måneder etter at feilen har blitt oppdaget. For informasjon om nærmeste autoriserte serviceverksted; kontakt det lokale Black & Decker kontoret på den adressen som er angitt i bruksanvisningen. En oversikt over alle autoriserte serviceverksteder samt servicevilkår finnes også tilgjengelig på Internet, adresse: www.2helpU.com.

Vennligst registrer deg på nettsiden vår:

www.blackanddecker.com for å holde deg oppdatert om nye produkter og spesialtilbud. Du finner mer informasjon om Black & Decker og produktutvalget vårt på www.blackanddecker.com.

Anvendelsesområde

Din Black & Decker borehammer er designet til at bore i træ, metal, plastic og murværk samt til skruetrækning. Værktøjet er kun beregnet til privat brug.

Generelle sikkerhedsregler

Advarsel! Læs alle instrukserne. Hvis nedenstående instrukser ikke følges, er der risiko for elektrisk stød, brand og/eller alvorlige personskader. Det benyttede begreb "el-værktøj" i nedennævnte advarsler refererer til netdrevne (med tilslutningsledning) eller batteridrevne maskiner (uden tilslutningsledning).
DISSE INSTRUKSER BØR OPBEVARES TIL SENERE BRUG.

1. Arbejdsområde

a. Sørg for, at arbejdsområdet er rent og ryddeligt.

Uordentlige og uoplyste arbejdsområder øger faren for uheld.

b. Brug ikke el-værktøj i eksplosionstruede omgivelser, f.eks. hvor der er brændbare væsker, gasser eller støv. El-værktøj kan slå gnister, der kan antænde støv eller dampe.

c. Sørg for, at børn og andre personer holder sig på afstand, når el-værktøjet er i brug. Hvis man distraheres, kan man miste kontrollen over maskinen.

2. El-sikkerhed

a. El-værktøjsstik skal passe til kontakten. Stikket må under ingen omstændigheder ændres. Brug ikke adapterstik sammen med jordforbundet el-værktøj.

Uændrede stik, der passer til kontakterne, nedsætter risikoen for elektrisk stød.

b. Undgå kropskontakt med jordforbundne overflader som f.eks. rør, radiatorer, komfurer og køleskabe.

Hvis din krop er jordforbundet, øges risikoen for elektrisk stød.

c. El-værktøj må ikke udsættes for regn eller fugt.

Indtrængen af vand i el-værktøj øger risikoen for elektrisk stød.

d. Undgå at ødelægge ledningen. Undgå at bære, trække eller afbryde el-værktøjet ved at rykke i ledningen. Beskyt ledningen mod varme, olie, skarpe kanter eller maskindele, der er i bevægelse.

Beskadigede eller indviklede ledninger øger risikoen for elektrisk stød.

e. Hvis el-værktøj benyttes i det fri, skal der benyttes en forlængerledning, som er godkendt til udendørs brug.

Brug af en forlængerledning til udendørs brug nedsætter risikoen for elektrisk stød.

3. Personlig sikkerhed

a. Det er vigtigt at være opmærksom, holde øje med, hvad man laver og bruge el-værktøjet fornuftigt.

Man bør ikke bruge maskinen, hvis man er træt, har nydt alkohol eller er påvirket af medicin eller euforiserende stoffer. Få sekunders uopmærksomhed ved brug af el-værktøjet kan føre til alvorlige personskader.

b. Brug sikkerhedsudstyr. Brug altid beskyttelsesbriller.

Brug af sikkerhedsudstyr som f.eks. støvmaske, skridsikkert fodtøj, beskyttelseshjelm eller høreværn afhængigt af maskintype og anvendelse nedsætter risikoen for personskader.

c. Undgå utilsigtet igangsætning. Sørg for, at el-værktøjets afbryder er på off, før det sluttes til strømmen.

Hvis man bærer el-værktøj med fingeren på afbryderen, eller hvis man slutter værktøjet til strømmen, mens afbryderen er på on, er der risiko for ulykker.

d. Fjern indstillingsværktøj eller skrueøgle, inden el-værktøjet tændes. Et værktøj eller en nøgle, der efterlades i en roterende del i el-værktøjet, kan resultere i personskader.

e. Overvurder ikke dig selv. Sørg for, at du altid har sikkert fodfæste og balance. Det gør det nemmere at kontrollere el-værktøjet, hvis der skulle opstå uventede situationer.

f. Brug egnet arbejdstøj. Undgå løse beklædningsgenstande eller smykker. Hold hår, tøj og handsker væk fra dele, der bevæger sig. Bevægelige dele kan gribe fat i løstsiddende tøj, smykker eller langt hår.

g. Hvis støvsugnings- og opsamlingsudstyr kan monteres, er det vigtigt, at dette tilsluttes og benyttes korrekt. Brug af dette udstyr nedsætter risikoen for personskader som følge af støv.

4. Brug og vedligeholdelse af el-værktøj

a. Undgå at overbelaste el-værktøjet. Brug altid det rette el-værktøj til opgaven. Med det rigtige el-værktøj udføres arbejdet lettere og sikrere inden for det angivne effektområde.

b. Brug ikke el-værktøjet, hvis afbryderen er defekt. El-værktøj, der ikke kan kontrolleres med afbryderen, er farligt og skal repareres.

c. Træk stikket ud af stikkontakten inden indstilling, tilbehørsudskiftning eller opbevaring af el-værktøjet. Disse sikkerhedsforanstaltninger reducerer risikoen for utilsigtet start af værktøjet.

d. Opbevar ubenyttet el-værktøj uden for børns rækkevidde. Lad aldrig personer, der ikke er fortrolige med el-værktøj, eller som ikke har gennemlæst disse instrukser, benytte maskinen. El-værktøj er farligt, hvis det benyttes af ukyndige personer.

- e. **El-værktøj bør vedligeholdes omhyggeligt.**
Kontroller, om bevægelige dele fungerer korrekt og ikke sidder fast, og om delene er brækket eller beskadiget, således at el-værktøjets funktion påvirkes. Få beskadigede dele repareret, inden el-værktøjet tages i brug. Mange uheld skyldes dårligt vedligeholdt el-værktøj.

- f. **Sørg for, at skæreværktøjer er skarpe og rene.**
 Omhyggeligt vedligeholdt skæreværktøjer med skarpe skærekanter sætter sig ikke så hurtigt fast og er nemmere at føre.

- g. **Brug el-værktøj, tilbehør, indsatsværktøj osv. i overensstemmelse med disse instrukser, og sådan som det kræves for denne specielle værktøjstype. Tag hensyn til arbejdsforholdene og det arbejde, der skal udføres.** I tilfælde af anvendelse af el-værktøjet til formål, som ligger uden for det fastsatte anvendelsesområde, kan der opstå farlige situationer.

5. Service

- a. **Sørg for, at el-værktøjet kun reparerer af kvalificerede fagfolk, og at der kun benyttes originale reservedele.**
 Dermed opretholdes el-værktøjets sikkerhed.

Yderligere sikkerhedsanvisninger til slagbor

- ◆ **Brug høreværn, når du bruger slagbor.** Udsættelse for støj kan forårsage tab af hørelse.
- ◆ **Brug de hjælpehåndtag, der følger med maskinen.** Tab af kontrol kan forårsage lemlæstelser.

El-sikkerhed



Denne maskine er dobbelt isoleret. Derfor er jordledning ikke nødvendig. Kontroller altid, at strømforsyningen svarer til spændingen på typeskiltet.

- ◆ Dette apparat er ikke beregnet til at blive betjent af unge eller uerfarne personer uden opsyn. Der skal være opsyn med børn for at sikre, at de ikke leger med maskinen.
- ◆ Hvis el-ledningen er skadet, skal den udskiftes af producenten eller et autoriseret Black & Decker servicecenter for at undgå ulykker.

Funktioner

Dette værktøj har nogle af følgende funktioner eller dem alle:

1. Strømafbrud med variabel hastighedskontrol
2. Låseknop
3. Højre/venstre omskifter
4. Levelok™ indikator til lige boring
5. Valg af boremodus
6. Nøgleløs borepatron (KR60(L)/KR70(L))
 Quick Connect™ borepatron (KR60QC/KR70QC)

7. Dybdestop
8. Sidehåndtag
9. Opbevaring af borebits

Samling

Advarsel! Man skal sikre sig, at værktøjet er slukket og taget ud af stikkontakten.

Montering af sidehåndtaget og dybdestoppet (fig. A)

- ◆ Drej håndtaget (10) mod uret, indtil du kan skubbe sidehåndtaget (8) på værktøjets front som vist.
- ◆ Drej sidehåndtaget i den ønskede position.
- ◆ Sæt dybdestoppet (7) i monteringshullet som vist.
- ◆ Indstil dybdestoppet til den ønskede position.
 Den maksimale boreddybde er lig med afstanden mellem borebittens spids og dybdestoppets forende.
- ◆ Stram sidehåndtaget ved at dreje håndtaget med uret.

Påsætning af en borebit eller skruetrækkerbit

KR60(L)/KR70(L) - Nøgleløs borepatron (fig. B)

- ◆ Åbn patronen ved at dreje den forreste del (12) med den ene hånd, mens den bageste del (11) holdes med den anden.
- ◆ Sæt bittens skaft (13) ind i patronen, og stram patronen godt til.

KR60QC/KR70QC - Quick Connect™ borepatron (fig. B og C)

Patronen på disse modeller kan let tages af og sættes på. Hvis dit projekt indebærer både boring og skruetrækning, kan du fastgøre en skruetrækkerbit i spindelen og en borebit i patronen: Du skal derefter kun tage patronen af til skruetrækning og tilpasse den til boring. Skruetrækkerbitten kan blive i spindelen, mens du borer. Du kan også isætte en borebit med sekskantet skaft på denne måde.

- ◆ Monter en borebit som beskrevet ovenfor.
- ◆ Gør følgende for at montere en skruetrækkerbit:
- ◆ Fjern borepatronen (6).
- ◆ Sæt en skruetrækkerbit (16) i ved at skubbe den ind i spindelen (15) som vist.
- ◆ Tag skruetrækkerbitten ud ved at trække ringen (17) tilbage og trække bidden ud af spindelen.

Udtagning og genindsætning af borepatronen

KR60(L)/KR70(L) - Nøgleløs borepatron (fig. D)

- ◆ Åbn borepatronen så meget som muligt.
- ◆ Fjern patronens fastholdsesskrue, der er placeret på forsiden af patronen, ved at dreje den med uret med en skruetrækker.
- ◆ Stram en unbraconøgle (18) ind i borepatronen, og slå den med en hammer som vist.
- ◆ Fjern unbraconøglen.

- ◆ Fjern borepatronen ved at dreje den mod uret.
- ◆ Sæt borepatronen på plads igen ved at skruе den på spindelen og låse den med borepatronens fastholdelsesskrue.

KR60QC/KR70QC - Quick Connect™ borepatron (fig. C)

- ◆ Tag patronen (6) af ved at holde udløserknapperne (14) inde og trække patronen af spindelen (15).
- ◆ Tilpas patronen ved at skubbe den på spindelen, indtil den låser sig på plads.

Advarsel! Sørg altid for, at patronen er ordentligt fastgjort.

Brug

Advarsel! Før der bores i vægge, gulve eller lofter checkes ledningers og rørs placering.

Valg af drejereetning

Til boring og stramning af skrueer benyttes højrotation (med uret). Til løsning af skrueer eller fjernelse af blokerede borebits drejes i den modsatte retning (mod uret).

- ◆ For at vælge højrotation skubbes højre/venstre omskifteren (3) til venstre.
- ◆ For at vælge venstrerotation skubbes højre/venstre omskifteren til højre.

Advarsel! Skift aldrig rotationsretning, mens motoren kører.

Valg af boremodus

- ◆ For at bore i murværk sættes boremodusvælgeren (5) i positionen **T**.
- ◆ For at bore i andre materialer og for at benytte skruetrækning sættes boremodusvælgeren (5) i positionen **A**.

KR60L/KR70L - Levelok™ indikator til lige boring

Værktøjet er udstyret med en indikator for at vise en lige boring. Denne funktion kan benyttes både vandret og lodret. Indikatoren er aktiveret, mens værktøjet er koblet til strømforsyningen.

- ◆ Hold værktøjet i den ønskede stilling.
- ◆ Flyt langsomt bagenden af værktøjet, til den røde indikator (4) lyser.

Tænding og slukning

- ◆ For at tænde værktøjet trykkes på kontakten til variabel hastighed (1). Værktøjets hastighed afhænger af, hvor langt ind man trykker afbryderen. Brug som en generel regel lave hastigheder til borebits med stor diameter og høje hastigheder til borebits med mindre diameter.

- ◆ Værktøjet sættes til vedvarende drift ved at trykke på låseknappen (2) og slippe kontakten til variabel hastighed. Dette er kun muligt ved fuld hastighed.
- ◆ For at slukke værktøjet slippes kontakten til variabel hastighed. Sluk for værktøjet, mens det arbejder i vedvarende drift, ved at trykke kontakten til variabel hastighed ind én gang til og derefter slippe den.

Tilbehør

Værktøjets ydeevne afhænger af, hvilket tilbehør der bruges. Black & Decker- og Piranha-tilbehør er konstrueret, så det opfylder høje kvalitetsstandarder, og det er beregnet til at forbedre værktøjets ydeevne. Bruger du dette tilbehør, vil du få det allerbedste ud af værktøjet.

Vedligeholdelse

Værktøjet er beregnet til at være i drift gennem en længere periode med minimal vedligeholdelse. Forsat tilfredsstillende drift afhænger af korrekt behandling af værktøjet samt regelmæssig rengøring.

- ◆ Rengør regelmæssigt ventilationsrillerne med en ren, tør pensel.
- ◆ Brug kun mild sæbe på en fugtig klud til rengøring af værktøjet. Der må ikke trænge væske ind i værktøjet, og værktøjet må hverken helt eller delvis neddyppes i væske.

Beskyttelse af miljøet



Separat indsamling. Dette produkt må ikke bortskaffes sammen med almindeligt husholdningsaffald.

Hvis du en dag skal udskifte dit Black & Decker produkt, eller hvis du ikke skal bruge det længere, må du ikke bortskaffe det sammen med husholdningsaffald. Dette produkt skal være tilgængeligt for separat indsamling.



Separat indsamling af brugte produkter og emballage gør det muligt at genbruge materialer. Genbrugte materialer forebygger miljøforurening og nedbringer behovet for råstoffer.

Lokale regler kan give mulighed for separat indsamling af elektriske husholdningsprodukter på kommunale lossepladser eller hos den forhandler, som du købte produktet af.

Black & Decker har en facilitet til indsamling og genbrug af Black & Decker-produkter, når deres levetid er slut. Få fordelen ved denne service ved at returnere produktet til en autoriseret tekniker, der samler værktøj sammen på vores vegne.

Du kan få oplyst den nærmeste autoriserede tekniker ved at kontakte det lokale Black & Decker-kontor på den adresse, der er angivet i denne brugsanvisning. Alternativt findes der en liste over autoriserede Black & Decker-teknikere og oplysninger om vores eftersalgsservice og kontaktpersoner på Internettet på adressen:

www.2helpU.com

Tekniske data

		KR60	KR70
Spænding	V_{AC}	230	230
Indgangseffekt	W	600	730
Ubelastet hastighed	min^{-1}	0-3.000	0-3.000
Vægt	kg	2,3	2,3

Maks. borekapacitet

Stål/beton	mm	13	13
Træ	mm	25	25

EU overensstemmelseserklæring

KR60/KR70

Black & Decker erklærer, at disse produkter er i overensstemmelse med følgende:

98/37/EØF, 89/336/EØF, 73/23/EØF, EN 55014, EN 60745, EN 61000

L_{PA} (lydtryk) 97,3 dB(A), L_{WA} (lydintensitet) 108,3 dB(A),
hånd/arm vægget vibration 10,7 m/s^2

K_{PA} (lydtryk usikkerhed) 3 dB(A),

K_{WA} (lydintensitet usikkerhed) 3 dB(A)



Kevin Hewitt

Director of Consumer Engineering
Spennymoor, County Durham DL16 6JG,

Storbritannien

1-9-2005

Reserve dele / reparationer

Reserve dele kan købes hos autoriserede Black & Decker serviceværksteder, som giver forslag til omkostninger og reparerer vore produkter. Oversigt over vore autoriserede værksteder findes på internettet på vor hjemmeside

www.blackdecker.dk samt **www.2helpU.com**.

Garanti

Black & Decker garanterer, at produktet er fri for materielle skader og/eller fabrikationsfejl ved levering til kunden. Garantien er et tillæg til konsumentens lovlige rettigheder og påvirker ikke disse. Garantien gælder indenfor medlemsstaterne af den Europæiske Union og i det Europæiske Frihandelsområde.

Hvis et Black & Decker produkt går i stykker på grund af materiel skade og/eller fabrikationsfejl eller på anden måde ikke fungerer i overensstemmelse med specifikationen, inden for 24 måneder fra købsdatoen, påtager Black & Decker sig at reparere eller ombytte produktet med mindst muligt besvær for kunden.

Garantien gælder ikke for fejl og mangler, der er sket i forbindelse med:

- ◆ normal slitage
- ◆ uheldige følger efter unormal anvendelse af værktøjet
- ◆ overbelastning, hævværk eller overdrevent intensivt brug af værktøjet
- ◆ ulykkehændelse

Garantien gælder ikke hvis reparationer er udført af nogen anden end et autoriseret Black & Decker værksted.

For at udnytte garantien skal produktet og købskvitteringen indleveres til forhandleren eller til et autoriseret værksted, senest 2 måneder efter at fejlen opdages. For information om nærmeste autoriserede værksted: kontakt det lokale Black & Decker kontor på den adresse som er opgivet i brugsanvisningen. Liste over alle autoriserede Black & Decker serviceværksteder samt servicevilkår er tilgængelig på internettet, på adressen **www.2helpU.com**.

Indskriv dig venligst på vores websted på adressen **www.blackanddecker.com** for at blive holdt ajour om nye produkter og specialtilbud. Der findes yderligere oplysninger om mærket Black & Decker og vores produktsortiment på adressen **www.blackanddecker.com**.

Käyttötarkoitus

Black & Deckerin iskuporakone on tarkoitettu ruuvaamiseen sekä puun, metallin, muovin ja betonin poraamiseen. Kone on tarkoitettu kotikäyttöön.

Yleiset turvallisuutta koskevat säännöt

Varoitus! Kaikki ohjeet täytyy lukea. Alla olevien ohjeiden noudattamisen laiminlyönti saattaa johtaa sähköiskun, tulipaloon ja/tai vakavaan loukkaantumiseen.

Seuraavassa käytetty käsite ”sähkötyökalu” käsittää verkkokäyttöisiä sähkötyökaluja (verkkojohdolla) ja akkukäyttöisiä sähkötyökaluja (ilman verkkojohtoa). SÄILYTÄ NÄMÄ OHJEET HYVIN.

1. Työalue

a. Pidä työskentelyalue puhtaana ja hyvin valaistuna.

Työpaikan epäjärjestys ja valaisemattomat työalueet voivat johtaa tapaturmiin.

b. Älä työskentele sähkötyökalulla räjähdysalttiissa ympäristössä, jossa on palavaa nestettä, kaasua tai pölyä. Sähkötyökalu muodostaa kipinöitä, jotka saattavat sytyttää pölyn tai höyryt.

c. Pidä lapset ja sivulliset loitolla sähkötyökalua käyttäessäsi. Voit menettää laitteesi hallinnan, huomiosi suuntautuessa muualle.

2. Sähköturvallisuus

a. Sähkötyökalun pistotulpan tulee sopia pistorasiaan. Pistotulppaa ei saa muuttaa millään tavalla. Älä käytä mitään pistorasia-adaptoreita maadoitettujen sähkötyökalujen kanssa. Alkuperäisessä kunnossa olevat pistotulpat ja sopivat pistorasiat vähentävät sähköiskun vaaraa.

b. Vältä koskettamasta maadoitettuja pintoja, kuten putkia, pattereita, liesiä tai jääkaappeja. Sähköiskun vaara kasvaa, jos kehosi on maadoitettu.

c. Älä altista sähkötyökalua sateelle tai kosteudelle. Veden tunkeutuminen sähkötyökalun sisään kasvattaa sähköiskun riskiä.

d. Älä käytä verkkojohtoa väärin. Älä käytä sitä sähkötyökalun kantamiseen, vetämiseen tai pistotulpan irrottamiseen pistorasiasta. Pidä johto loitolla kuumuudesta, öljystä, terävistä reunoista ja liikkuvista osista. Vahingoittuneet tai sotkeutuneet johdot kasvattavat sähköiskun vaaraa.

e. Käyttäessäsi sähkötyökalua ulkona, käytä ainoastaan ulkokäyttöön soveltuvaa jatkojohtoa. Ulkokäyttöön soveltuvan jatkojohtoon käyttö pienentää sähköiskun vaaraa.

3. Henkilöturvallisuus

a. Ole valpas, kiinnitä huomiota työskentelyysi ja noudata tervettä järkeä sähkötyökalua käyttäessäsi.

Älä käytä sähkötyökalua, jos olet väsynyt tai huumeiden, alkoholin tai lääkkeiden vaikutuksen alaisena. Hetken tarkkaamattomuus sähkötyökalua käytettäessä saattaa johtaa vakavaan loukkaantumiseen.

- b. **Käytä suojavarusteita. Käytä aina suojalaseja.** Suojavarusteet, kuten pölynsuojanaamari, luistamattomat turvajalkineet, kypärä ja kuulosuojaimet pienentävät, tilanteen mukaan oikein käytettyinä, loukkaantumisriskiä.
 - c. **Vältä sähkötyökalun tahatonta käynnistämistä. Varmista, että kytkin on off-asennossa ennen kytkennän tekemistä.** Onnettomuusvaara lisääntyy, jos kannat sähkötyökalua sormi käyttökytkimellä tai kytket työkalun virtajohdon pistorasiaan, kun käyttökytkin on päällä.
 - d. **Poista kaikki säätötyökalut ja ruuvitaltat, ennen kuin käynnistät sähkötyökalun.** Työkalu tai avain, joka sijaitsee laitteen pyöriässä osassa, saattaa johtaa loukkaantumiseen.
 - e. **Älä kurkota. Seiso aina tukevasti ja tasapainossa.** Täten voit paremmin hallita sähkötyökalua odottamattomissa tilanteissa.
 - f. **Käytä tarkoitukseen soveltuvia vaatteita. Älä käytä löysiä työvaatteita tai koruja. Pidä hiukset, vaatteet ja käsiineet loitolla liikkuvista osista.** Väljät vaatteet, korut ja pitkät hiukset voivat takertua liikkuviin osiin.
 - g. **Jos pölynimi- ja keräilylaitteita voidaan asentaa työkaluun, sinun pitää tarkistaa, että ne on liitetty ja että niitä käytetään oikealla tavalla.** Näiden laitteiden käyttö vähentää pölyn aiheuttamia vaaroja.
4. **Sähkötyökalujen käyttö ja hoito**
 - a. **Älä ylikuormita laitetta. Käytä kysyiseen työhön tarkoitettua sähkötyökalua.** Sopivaa sähkötyökalua käyttäen työskentelet paremmin ja varmemmin tehoalueella, jolle sähkötyökalu on tarkoitettu.
 - b. **Älä käytä sähkötyökalua, jota ei voida käynnistää ja pysäyttää virtakytkimellä.** Sähkötyökalu, jota ei enää voida käynnistää ja pysäyttää käynnistyskytkimellä, on vaarallinen ja se täytyy korjata.
 - c. **Irrota pistotulppa pistorasiasta, ennen kuin suoritat säätöjä, vaihdat tarvikkeita tai siirrä sähkötyökalun varastoitavaksi.** Nämä turvatoimenpiteet pienentävät sähkötyökalun tahattoman käynnistysriskin.
 - d. **Säilytä sähkötyökalut poissa lasten ulottuvilta, kun niitä ei käytetä. Älä anna sellaisten henkilöiden käyttää sähkötyökalua, jotka eivät tunne sitä tai jotka eivät ole lukeneet tätä käyttöohjetta.** Sähkötyökalut ovat vaarallisia, jos niitä käyttävät kokemattomat henkilöt.
 - e. **Hoida sähkötyökalusi huolella. Tarkista, että liikkuvat osat toimivat moitteettomasti, eivätkä ole puristuksessa ja että työkalussa ei ole murtuneita tai vahingoittuneita osia, jotka saattaisivat vaikuttaa haitallisesti sen toimintaan.**

Korjautattaa mahdolliset viat ennen käyttöönottoa.

Moni tapaturma aiheutuu huonosti huolletuista laitteista.

- f. Pidä leikkausterät terävinä ja puhtaina.** Huolellisesti hoidetut leikkaustyökäluet, joiden leikkausreunat ovat teräviä, eivät tartu helposti kiinni ja niitä on helpompi hallita.
- g. Käytä sähkötyökäluja, tarvikkeita, vaihtotyökäluja jne. näiden ohjeiden mukaisesti ja tavalla, joka on tarkoitettu erityisesti kyseiselle sähkötyökäluille.** Ota tällöin huomioon työolosuhteet ja suoritettava toimenpide. Sähkötyökäluun käyttö muuhun kuin sille määrättyyn käyttöön, saattaa johtaa vaarallisiin tilanteisiin.

5. Huolto

- a. Anna koulutettujen ammattitaitoisten henkilöiden korjata sähkötyökäluasi ja hyväksy korjauksiin vain alkuperäisiä varaosia.** Täten varmistat, että sähkötyökälu säilyy turvallisena.

Lisäturvaohteet iskuporakoneille

- ◆ **Käytä kuulonsuojaimia iskuporakoneiden käytön yhteydessä.** Altistuminen melulle voi aiheuttaa kuulovammoja.
- ◆ **Käytä koneen varusteisiin kuuluvia lisäkahvoja.** Koneen hallinnan menetyks voi aiheuttaa loukkaantumisen.

Sähköturvallisuus

Tämä laite on kaksoiseristetty; siksi erillistä maadoitusta ei tarvita. Tarkista aina, että virtälähde vastaa arvokilvessä ilmoitettua jännitettä.

- ◆ Tätä laitetta ei ole tarkoitettu nuorten henkilöiden käyttöön tai vajaavalttaisten henkilöiden käyttöön ilman valvontaa. Lapsia on valvottava, etteivät he leiki koneen kanssa.
- ◆ Jos sähköjohto on vaurioitunut, sen saa vaihtaa vain valtuutetussa Black & Deckerin huoltoliikkeessä vaaratilanteiden välttämiseksi.

Yleiskuvaus

Tällä koneella on kaikki tai osa seuraavista ominaisuuksista.

1. VIRRANKATKAISIJAJ PORTAATTOMALLA NOPEUDENSÄÄDÖLLÄ
2. Lukitusnappi
3. Suunnanvaihtokytkin
4. Levelok™-suoraporausvalo
5. Poraustavan valitsin
6. Pikaistukka (KR60(L)/KR70(L))
Quick Connect™-istukka (KR60QC/KR70QC)
7. Syvyysrajoitin
8. Sivukahva
9. Terän säilytyskotelo

Kokoaminen

Varoitus! Varmista, että kone on kytketty pois päältä ja pistoke irti virtälähteestä.

Sivukahvan ja syvyysrajoittimen kiinnittäminen (kuva A)

- ◆ Kierrä kädensijaa (10) vastapäivään, kunnes voit työntää sivukahvan (8) koneeseen kuvan osoittamalla tavalla.
- ◆ Käännä sivukahva haluttuun asentoon.
- ◆ Laita syvyysrajoitin (7) sivukahvassa olevaan reikään kuvan osoittamalla tavalla.
- ◆ Laita syvyysrajoitin haluttuun syvyyteen. Suurin mahdollinen porausvyvyys on sama kuin etäisyys poranterän kärjen ja syvyysrajoittimen etupään välillä.
- ◆ Kiristä sivukahva kiertämällä kädensijaa myötäpäivään.

Poranterän ja ruuvitaltan asennus**KR60(L)/KR70(L) - Pikaistukka (kuva B)**

- ◆ Avaa istukka kiertämällä etuosaa (12) toisella kädellä samalla, kun pidät takaosasta (11) kiinni toisella kädellä.
- ◆ Laita tarvike (13) istukkaan ja kiristä kunnolla.

KR60QC/KR70QC - Quick Connect™-istukka (kuvat B & C)

Näiden porakonemallien istukka on helppo poistaa ja kiinnittää takaisin. Kun tarvitset työskentelyysi sekä poraa että ruuvinväännintä, kiinnitä ruuvitalta karaan ja poranterä istukkaan: tällöin sinun tarvitsee vain poistaa istukka ruuvausta varten ja kiinnittää se takaisin poraamista varten. Voit jättää ruuvitaltan kiinni karaan poraamisen ajaksi. Voit myös käyttää tällä tavoin poranterää, joissa on kuusikulmainen varsi.

- ◆ Asenna poranterä paikalleen edellä annettujen ohjeiden mukaisesti.
- ◆ Kiinnitä ruuvitalta seuraavasti:
- ◆ Irrota istukka (6).
- ◆ Kiinnitä ruuvitalta (16) työntämällä se karaan (15) kuvan osoittamalla tavalla.
- ◆ Poista ruuvitalta vetämällä rengasta (17) taaksepäin, ja vedä ruuvitalta irti karasta.

Istukan poisto ja kiinnitys**KR60(L)/KR70(L) - Pikaistukka (kuva D)**

- ◆ Avaa istukkaa niin paljon kuin mahdollista.
- ◆ Poista istukan kiristysruuvi, joka on istukan etuosassa kiertämällä sitä myötäpäivään ruuvimeisselillä.
- ◆ Kiristä kuusiokoloavain (18) istukkaan ja lyö sitä kevyesti vasaralla kuvan osoittamalla tavalla.
- ◆ Poista kuusiokoloavain.
- ◆ Poista istukka kiertämällä sitä vastapäivään.
- ◆ Kiinnittäksesi istukan uudelleen ruuvaa se karaan ja lukitse kiristysruuvilla.

KR60QC/KR70QC - Quick Connect™-istukka (kuva C)

- ◆ Poista istukka (6) pitämällä lukitusnappeja (14) painettuina ja vedä istukka irti karasta (15).
- ◆ Kiinnitä istukka paikalleen työntämällä sitä karaan, kunnes se lukkiutuu tiukasti paikalleen.

Varoitus! Tarkista aina että istukka on tukevasti paikallaan.

Käyttö

Varoitus! Ennen seinien, lattioiden tai kattojen poraamista tarkista sähköjohtojen ja putkistojen sijainnit.

Suunnanvaihto

Käytä eteenpäin (myötäpäivään) suuntautuvaa pyörimisliikettä poraamiseen ja ruuvien kiristämiseen. Käytä taaksepäin (vastapäivään) suuntautuvaa pyörimisliikettä ruuvien tai jumiutuneen poranterän irrottamiseen.

- ◆ Valitaksesi pyörimissuunnan eteenpäin siirrä suunnanvaihtokytkintä (3) vasemmalle.
- ◆ Kun haluat vaihtaa pyörimissuunnan taaksepäin, siirrä suunnanvaihtokytkintä oikealle.

Varoitus! Älä koskaan vaihda pyörimissuuntaa koneen käydessä.

Poraustavan valinta

- ◆ Porattaessa betonia tulee poraustavan valitsimen (5) olla **T**-asennossa.
- ◆ Porattaessa muita materiaaleja tai ruuvattaessa tulee poraustavan valitsimen (5) olla **A**-asennossa.

KR60L/KR70L - Levelok™-suoraporausvalo

Kone on varustettu osoittimella, jonka avulla on helpompaa porata suoraan. Se toimii sekä vaaka- että pystyasennossa. Osoitin on aktiivoina, kun kone on kytketty verkkovirtaan.

- ◆ Aseta kone haluamaasi asentoon.
- ◆ Liikuta koneen takaosaa hitaasti, kunnes punainen valo (4) syttyy ja pysyy päällä.

Virran kytkeminen päälle/pois päältä

- ◆ Käynnistä kone painamalla virrankatkaisijaa (1). Koneen nopeus riippuu siitä, kuinka paljon virrankatkaisijaa painetaan. Käytä alhaista nopeutta poratessaasi terillä, joiden halkaisija on suuri ja suurta nopeutta, kun terän halkaisija on pieni.
- ◆ Lukitaksesi virrankatkaisijan jatkuvaa toimintaa varten paina lukitusnappeja (2) ja päästä irti virrankatkaisijasta. Tämä toiminto on mahdollinen vain täydellä nopeudella.
- ◆ Sammuta kone päästämällä irti virrankatkaisijasta. Sammuttaaksesi koneen, jonka virrankatkaisijan lukitsin on päällä, paina virrankatkaisijaa vielä kerran ja päästä siitä irti.

Tarvikkeet

Koneen käyttöalue riippuu käytettävästä tarvikkeesta. Black & Decker- ja Piranha- tarvikkeet ovat korkealaatuisia. Käyttämällä näitä tarvikkeita saat koneestasi irti parhaan mahdollisen.

Huolto

Kone on suunniteltu toimimaan mahdollisimman pitkän aikaa mahdollisimman vähällä huollolla. Oikealla huollolla ja säännöllisellä puhdistuksella kone säilyttää suorituskykynsä.

- ◆ Puhdista ilmanvaihtoaukot säännöllisesti puhtaalla, kuivalla siveltimellä.
- ◆ Käytä koneen puhdistamiseen vain mietoa pesuainetta ja kostutettua kangasta. Älä päästä työkalun sisään nestettä. Älä koskaan upota koneen mitään osaa nesteeseen.

Ympäristö

Erillinen keräys. Tätä tuotetta ei saa hävittää normaalin kotitalousjätteen kanssa.

Kun Black & Decker -koneesi on käytetty loppuun, älä hävitä sitä kotitalousjätteen mukana. Tämä tuote on kerättävä erikseen.



Käytettyjen tuotteiden ja pakkausten erillinen keräys mahdollistaa materiaalien kierrätyksen ja uudelleenkäytön. Kierrätettyjen materiaalien uudelleenkäyttö auttaa ehkäisemään ympäristön saastumisen ja vähentää raaka-aineiden kysyntää.

Paikallisten säännösten mukaisesti on mahdollista viedä kotitalouksien sähkölaitteet kuntien kaatopaikoille tai jättää ne vähittäismyyjälle ostettaessa uusi tuote.

Black & Decker tarjoaa mahdollisuuden Black & Decker – tuotteiden keräykseen ja kierrätykseen sen jälkeen, kun ne on poistettu käytöstä. Jotta voisit hyötyä tästä palvelusta, palauta laitteesi johonkin valtuutettuun huoltoliikkeeseen, joka kerää laitteet meidän puolestamme.

Voit tarkistaa lähimmän valtuutetun huoltoliikkeen sijainnin ottamalla yhteyden Black & Deckerin toimistoon, joka sijaitsee tässä käsikirjassa annetussa osoitteessa. Lista valtuutetuista Black & Decker - huoltoliikkeistä sekä yksityiskohtaiset tiedot korjauspalvelustamme ovat vaihtoehtoisesti saatavilla Internetissä, osoitteessa www.2helpU.com

Tekniset tiedot

		KR60	KR70
Jännite	V _{AC}	230	230
Ottoteho	W	600	730
Kuormittamaton nopeus	min ⁻¹	0-3.000	0-3.000
Paino	kg	2,3	2,3

Max. porausteho

Teräs/betoni	mm	13	13
Puu	mm	25	25

EU:n yhdenmukaisuusilmoitus

KR60/KR70

Black & Decker vakuuttaa näiden tuotteiden olevan seuraavien standardien vaatimusten mukaisia:

98/37/EC, 89/336/EEC, 73/23/EEC, EN 55014, EN 60745, EN 61000

L_{PA} (äänenpaine) 97,3 dB(A), L_{WA} (akustinen teho) 108,3 dB(A),
käden/käsivarren painotettu tärinä 10,7 m/s²

K_{PA} (äänenpaineen epävarmuus) 3 dB(A),

K_{WA} (akustisen tehon epävarmuus) 3 dB(A)



Kevin Hewitt

Director of Consumer Engineering
Spennymoor, County Durham DL16 6JG,
Iso-Britannia
1-9-2005

Korjaukset / varaosat

Mikäli koneeseen tulee vikaa, jätä se aina Black & Deckerin valtuuttamaan huoltoliikkeeseen korjattavaksi (tiedot löytyvät uusimmasta tuoteluettelostamme tai ottamalla yhteyttä Black & Decker Oy:hyn). Varaosia myyvät valtuutetut Black & Deckerin huoltoliikkeet, ja heiltä voi myös pyytää kustannusarvion koneen korjauksesta.

Tiedot valtuutetuista huoltoliikkeistä löytyvät myös internetistä osoitteesta **www.2helpU.com** sekä kotisivuiltamme **www.blackdecker.fi**.

Takuu

Black & Decker Oy takaa, ettei koneessa ollut materiaali- ja/ tai valmistusvikaa silloin, kun se toimitettiin ostajalle. Takuu on lisäys kuluttajan laillisiin oikeuksiin eikä vaikuta niihin. Takuu on voimassa Euroopan Unionin jäsenmaissa ja Euroopan vapaakauppa-alueella (EFTA).

Mikäli Black & Decker -kone hajoaa materiaali- ja/ tai valmistusvirheen tai teknisten tietojen epätarkkuuden vuoksi 24 kk:n kuluessa ostopäivästä, Black & Decker korjaa koneen ilman kustannuksia ostajalle tai vaihtaa sen uuteen Black & Decker Oy:n valinnan mukaan.

Takuu ei kata vikoja, jotka johtuvat koneen

- ◆ normaalista kulumisesta
- ◆ ylikuormituksesta, virheellisestä käytöstä tai hoidosta
- ◆ vahingoittamisesta vieraalla esineellä tai aineella tai onnettomuustapauksessa.

Takuu ei ole voimassa, mikäli konetta on korjannut joku muu kuin Black & Deckerin valtuuttama huoltoliike.

Edellytyksenä takuun saamiselle on, että ostaja jättää koneen ja ostokuitin jälleenmyyjälle tai valtuutetulle huoltoliikkeelle viimeistään 2 kuukauden kuluessa vian ilmenemisestä. Tiedot valtuutetuista huoltoliikkeistä saa ottamalla yhteyttä Black & Decker Oy:hyn sekä internetistä osoitteesta **www.2helpU.com**, jossa on myös takuehdot.

Ole hyvä ja rekisteröidy verkkosivullamme **www.blackanddecker.com** saadaksesi tietoja uusista tuotteista ja erikoistarjouksista. Saat lisätietoja Black & Deckerin tavaramerkistä ja tuotevalikoimastamme osoitteesta **www.blackanddecker.com**.

Ενδεδειγμένη χρήση

Το κρουστικό δράπανο Black & Decker έχει σχεδιαστεί για διάτρηση σε ξύλο, μέταλλο, πλαστικά και μαλακά δομικά υλικά, καθώς και για εφαρμογές βιδώματος.

Αυτο το εργαλείο προορίζεται μόνο για ερασιτεχνική χρήση.

Γενικοί κανόνες ασφαλείας

Προειδοποίηση! Διαβάστε όλες τις υποδείξεις. Η μη τήρηση όλων των παρακάτω υποδείξεων μπορεί να προκαλέσει ηλεκτροπληξία, πυρκαγιά ή/και σοβαρούς τραυματισμούς. Ο χαρακτηρισμός "ηλεκτρικό εργαλείο" που χρησιμοποιείται στις παρακάτω προειδοποιητικές υποδείξεις αφορά ή το εργαλείο που συνδέεται στην πρίζα (με καλώδιο) ή το εργαλείο που λειτουργεί με μπαταρία (χωρίς καλώδιο). ΦΥΛΑΞΤΕ ΑΥΤΕΣ ΤΙΣ ΟΔΗΓΙΕΣ.

1. Χώρος εργασίας

- α. Διατηρείτε το χώρο που εργάζεστε καθαρό και καλά φωτισμένο.** Η αταξία στο χώρο που εργάζεστε και τα σημεία χωρίς καλό φωτισμό μπορεί να οδηγήσουν σε ατυχήματα.
- β. Μη χρησιμοποιείτε τα ηλεκτρικά εργαλεία σε περιβάλλον όπου υπάρχει κίνδυνος έκρηξης, π.χ. παρουσία εύφλεκτων υγρών, αερίων ή σκόνης.** Τα ηλεκτρικά εργαλεία μπορεί να δημιουργήσουν σπινθηρισμό ο οποίος μπορεί να αναφλέξει τη σκόνη ή τις αναθυμιάσεις.
- γ. Όταν χρησιμοποιείτε το ηλεκτρικό εργαλείο, κρατάτε τα παιδιά και τα υπόλοιπα άτομα μακριά από το χώρο που εργάζεστε.** Σε περίπτωση που άλλα άτομα αποσπάσουν την προσοχή σας μπορεί να χάσετε τον έλεγχο του μηχανήματος.

2. Ασφαλής χρήση του ηλεκτρικού ρεύματος

- α. Το φως του καλωδίου του ηλεκτρικού εργαλείου πρέπει να ταιριάζει στην αντίστοιχη πρίζα. Δεν επιτρέπεται με κανένα τρόπο η μετασκευή του φως. Μη χρησιμοποιείτε προσαρμοστικά φως στα γειωμένα ηλεκτρικά εργαλεία.** Τα φως που δεν έχουν υποστεί τροποποιήσεις και οι κατάλληλες πρίζες μειώνουν τον κίνδυνο ηλεκτροπληξίας.
- β. Αποφεύγετε την επαφή του σώματός σας με γειωμένες επιφάνειες όπως σωλήνες, θερμαντικά σώματα (καλοριφέρ), κουζίνες και ψυγεία.** Όταν το σώμα σας είναι γειωμένο, αυξάνεται ο κίνδυνος ηλεκτροπληξίας.
- γ. Μην εκθέτετε το ηλεκτρικό εργαλείο στη βροχή ή την υγρασία.** Η διείσδυση νερού στο ηλεκτρικό εργαλείο αυξάνει τον κίνδυνο ηλεκτροπληξίας.
- δ. Μην κακομεταχειρίζεστε το καλώδιο. Μη χρησιμοποιήσετε ποτέ το καλώδιο για να μεταφέρετε, να τραβήξετε ή να αποσυνδέσετε το εργαλείο από την πρίζα. Κρατάτε το καλώδιο μακριά από υψηλές θερμοκρασίες, λάδια, κοφτερές ακμές ή κινούμενα εξαρτήματα.** Τυχόν χαλασμένα ή μπερδεμένα καλώδια αυξάνουν τον κίνδυνο ηλεκτροπληξίας.

ε. Όταν χρησιμοποιείτε το ηλεκτρικό εργαλείο σε εξωτερικούς χώρους, να χρησιμοποιείτε πάντοτε προεκτάσεις (μπαλαντζές) που έχουν εγκριθεί για χρήση σε εξωτερικούς χώρους. Η χρήση προεκτάσεων εγκεκριμένων για εργασία σε εξωτερικούς χώρους μειώνει τον κίνδυνο ηλεκτροπληξίας.

3. Ασφάλεια προσώπων

- α. Όταν χρησιμοποιείτε το ηλεκτρικό εργαλείο, να είστε προσεκτικοί, να δίνετε προσοχή στην εργασία που κάνετε και να επιστρατεύετε την κοινή λογική. Μη χρησιμοποιείτε το ηλεκτρικό εργαλείο όταν είστε κουρασμένοι ή όταν βρίσκεστε υπό την επήρεια ναρκωτικών, οιονοπνεύματος ή φαρμάκων.** Μια στιγμή απροσεξία κατά το χειρισμό του ηλεκτρικού εργαλείου μπορεί να οδηγήσει σε σοβαρούς τραυματισμούς.
- β. Να χρησιμοποιείτε εξοπλισμό ασφαλείας. Να φοράτε πάντα προστατευτικά γυαλιά.** Ο κίνδυνος τραυματισμών μειώνεται όταν χρησιμοποιείτε εξοπλισμό ασφαλείας, όπως μάσκα προστασίας από σκόνη, αντιολισθητικά παπούτσια ασφαλείας, κράνη ή ωτασπίδες, ανάλογα με τις συνθήκες εργασίας.
- γ. Αποφεύγετε την αβέλητη θέση σε λειτουργία του ηλεκτρικού εργαλείου. Βεβαιωθείτε, ότι ο διακόπτης λειτουργίας βρίσκεται στη θέση "OFF" πριν συνδέσετε το ηλεκτρικό εργαλείο στην πρίζα.** Αν μεταφέρετε το ηλεκτρικό εργαλείο έχοντας το δακτύλο σας πάνω στο διακόπτη λειτουργίας ή αν συνδέσετε το ηλεκτρικό εργαλείο στην πρίζα όταν ο διακόπτης λειτουργίας βρίσκεται στη θέση "ON", αυτό μπορεί να οδηγήσει σε σοβαρούς τραυματισμούς.
- δ. Πριν θέσετε το ηλεκτρικό εργαλείο σε λειτουργία, αφαιρέστε τυχόν εργαλεία ή κλειδιά ρύθμισης.** Ένα εργαλείο ή κλειδί συναρμολογημένο στο περιστρεφόμενο εξάρτημα ενός ηλεκτρικού εργαλείου μπορεί να προκαλέσει τραυματισμούς.
- ε. Μην τεντώνεστε. Φροντίστε πάντοτε να έχετε την κατάλληλη στάση και να διατηρείτε την ισορροπία σας.** Αυτό σας επιτρέπει τον καλύτερο έλεγχο του ηλεκτρικού εργαλείου σε περιπτώσεις απροσδόκων καταστάσεων.
- στ. Φοράτε κατάλληλη ενδυμασία εργασίας. Μη φοράτε φαρδιά ρούχα ή κοσμήματα. Κρατάτε τα μαλλιά, τα ενδύματα και τα γάντια σας μακριά από τα κινούμενα εξαρτήματα.** Τα φαρδιά ρούχα, τα κοσμήματα και τα μακριά μαλλιά μπορεί να εμπλακούν στα κινούμενα εξαρτήματα.
- ζ. Αν προβλέπονται διατάξεις απαγωγής και συλλογής της σκόνης, βεβαιωθείτε ότι είναι συνδεδεμένες και ότι χρησιμοποιούνται σωστά.** Η χρήση τέτοιων διατάξεων μειώνει τους κινδύνους που προέρχονται από τη σκόνη.

4. Χρήση και συντήρηση του ηλεκτρικού εργαλείου

- α. Μην υπερφορτώνετε το ηλεκτρικό εργαλείο. Χρησιμοποιείτε για την εκάστοτε εργασία σας το ηλεκτρικό εργαλείο που προορίζεται γι' αυτήν.**

Με το κατάλληλο ηλεκτρικό εργαλείο εργάζεσθε καλύτερα και ασφαλέστερα στην ονομαστική περιοχή ισχύος του.

β. Μη χρησιμοποιήσετε ποτέ ένα ηλεκτρικό εργαλείο του οποίου ο διακόπτης λειτουργίας είναι χαλασμένος.

Ένα ηλεκτρικό εργαλείο του οποίου η λειτουργία δεν μπορεί να ελεγχθεί με το διακόπτη είναι επικίνδυνο και πρέπει να επισκευαστεί.

γ. Βγάλετε το φως από την πρίζα πριν διεξάγετε κάποια εργασία ρύθμισης στο ηλεκτρικό εργαλείο, πριν αλλάξετε κάποιο εξάρτημα ή όταν πρόκειται να το αποθηκεύσετε. Αυτά τα προληπτικά μέτρα ασφαλείας μειώνουν τον κίνδυνο να τεθεί το μηχάνημα αθέλητα σε λειτουργία.

δ. Να φυλάτε τα ηλεκτρικά εργαλεία που δεν χρησιμοποιείτε μακριά από παιδιά. Μην αφήνετε άτομα που δεν είναι εξοικειωμένα με το ηλεκτρικό εργαλείο ή που δεν έχουν διαβάσει αυτές τις οδηγίες χρήσης να το χρησιμοποιήσουν. Τα ηλεκτρικά εργαλεία είναι επικίνδυνα όταν χρησιμοποιούνται από άπειρα άτομα.

ε. Να συντηρείτε τα ηλεκτρικά εργαλεία. Ελέγξτε εάν τα κινούμενα μέρη είναι σωστά ευθυγραμμισμένα ή αν έχουν μπλοκάρει, εάν έχουν σπάσει κομμάτια και εάν πληρούνται όλες οι υπόλοιπες συνθήκες που ενδεχομένως να επηρεάζουν τη σωστή λειτουργία του εργαλείου. Δώστε τυχόν χαλασμένα εξαρτήματα του ηλεκτρικού εργαλείου για επισκευή πριν το χρησιμοποιήσετε πάλι. Η ανεπαρκής συντήρηση των ηλεκτρικών εργαλείων αποτελεί αιτία πολλών ατυχημάτων.

στ. Διατηρείτε τα κοπτικά εργαλεία κοφτερά και καθαρά.

Τα κοπτικά εργαλεία με αιχμηρά κοπτικά άκρα που συντηρούνται σωστά έχουν λιγότερες πιθανότητες να μπλοκάρουν και ελέγχονται ευκολότερα.

ζ. Να χρησιμοποιείτε τα ηλεκτρικά εργαλεία, τα εξαρτήματα και τα άκρα των εργαλείων κλπ σύμφωνα με τις παρούσες οδηγίες καθώς και όπως προβλέπεται για τον κάθε τύπο μηχανήματος, λαμβάνοντας υπόψη σας τις συνθήκες εργασίας και την εργασία που θέλετε να εκτελέσετε. Η χρήση του ηλεκτρικού εργαλείου για άλλες εκτός από τις προβλεπόμενες εργασίες μπορεί να δημιουργήσει επικίνδυνες καταστάσεις.

5. Σέρβις

α. Το σέρβις του ηλεκτρικού σας εργαλείου πρέπει να αναλαμβάνει έμπειρος τεχνικός που θα χρησιμοποιεί μόνο γνήσια ανταλλακτικά. Έτσι εξασφαλίζεται η διατήρηση της ασφάλειας του ηλεκτρικού εργαλείου.

Συμπληρωματικές οδηγίες ασφαλείας για κρουστικό τρυπάνι

- ◆ **Να φοράτε ωτασπίδες για τα αυτιά με κρουστικά τρυπάνια.** Η έκθεση σε θόρυβο μπορεί να προκαλέσει απώλεια ακοής.
- ◆ **Χρησιμοποιείτε βοηθητικές λαβές που παρέχονται με το εργαλείο.** Η απώλεια ελέγχου μπορεί να προκαλέσει σωματικές βλάβες.

Ασφαλής χρήση του ηλεκτρικού ρεύματος



Αυτό το εργαλείο φέρει διπλή μόνωση, επομένως δεν απαιτείται σύρμα γείωσης. Ελέγχετε πάντοτε αν η τάση τροφοδοσίας αντιστοιχεί σε αυτήν που αναγράφεται στην πινακίδα στοιχείων του εργαλείου.

- ◆ Αυτό το εργαλείο δεν πρέπει να χρησιμοποιηθεί από νέους ή ασταθές άτομα χωρίς επιτήρηση. Τα παιδιά πρέπει να επιτηρηθούν για να βεβαιωθείτε ότι δεν παίζουν με το εργαλείο.
- ◆ Αν το καλώδιο ρεύματος έχει υποστεί βλάβη, πρέπει να αντικατασταθεί από τον κατασκευαστή ή από εξουσιοδοτημένο Κέντρο Επισκευών Black & Decker ώστε να αποφύγετε τους κινδύνους.

Χαρακτηριστικά

Το εργαλείο περιλαμβάνει όλα ή ορισμένα από τα εξής χαρακτηριστικά:

1. Διακόπτης ρυθμιζόμενης ταχύτητας
2. Πλήκτρο ασφάλισης
3. Συρόμενος διακόπτης εμπρός / πίσω
4. Ενδειξη ευθυγραμμισμένης διάτρησης Levelok™
5. Διακόπτη επιλογής κατάστασης διάτρησης
6. Τσοκ χωρίς κλειδί (KR60(L)/KR70(L))
Τσοκ Quick Connect™ (KR60QC/KR70QC)
7. Στοπ βάθους
8. Πλευρική λαβή
9. Αποθήκευση εξαρτήματος

Συναρμολόγηση

Προειδοποίηση! Βεβαιωθείτε ότι το εργαλείο είναι σβηστό και ότι το φως του δεν είναι στην πρίζα.

Τοποθέτηση της πλευρικής λαβής και του στοπ βάθους (εικ. Α)

- ◆ Στρέψτε τη λαβή (10) αριστερόστροφα μέχρι να μπορείτε να ολισθήσετε την πλευρική λαβή (8) στο εμπρόσθιο τμήμα του εργαλείου όπως φαίνεται στην εικόνα.
- ◆ Περιστρέψτε την πλευρική λαβή σε όποια θέση θέλετε.
- ◆ Εισάγετε το στοπ βάθους (7) μέσα στην οπή στήριξης όπως απεικονίζεται.
- ◆ Ρυθμίστε το στοπ βάθους στη θέση που θέλετε. Το μέγιστο βάθος διάτρησης ισούται με την απόσταση μεταξύ της άκρης του τρυπανιού και του εμπρόσθιου άκρου του στοπ βάθους.
- ◆ Σφίξτε την πλευρική λαβή στρέφοντάς την δεξιόστροφα.

Τοποθέτηση τρυπανιού ή μύτης κατασβιδιού.**KR60(L)/KR70(L) -Τσοκ χωρίς κλειδί (εικ. Β)**

- ◆ Ανοίξτε στο τσοκ, γυρίζοντας το μπροστινό μέρος του (12) με το ένα χέρι και ταυτόχρονα κρατώντας το πίσω μέρος (11) με το άλλο.
- ◆ Εισάγετε τον άξονα της μύτης (13) μέσα στο τσοκ και σφίξτε το καλά.

KR60QC/KR70QC – Τσοκ Quick Connect™ (εικ. Β & C)

Το τσοκ σε αυτά τα μοντέλα αφαιρείται και επανατοποθετείται εύκολα. Όταν θέλετε και να τρυπήσετε και να βιδώσετε, τοποθετήστε μία μύτη κατασβιδιού στην άτρακτο και μία μύτη τρυπανιού στο τσοκ: θα χρειαστεί να αφαιρέσετε το τσοκ για να βιδώσετε και να το επανατοποθετήσετε για να τρυπήσετε. Η μύτη του κατασβιδιού μπορεί να παραμείνει στην άτρακτο ενώ τρυπάτε. Μπορείτε επίσης με τον ίδιο τρόπο να τοποθετήσετε τρυπάνια με εξάγωνο άξονα.

- ◆ Για να τοποθετήσετε τη μύτη του τρυπανιού ακολουθήστε τη διαδικασία που περιγράφεται παραπάνω.
- ◆ Για να τοποθετήσετε μια μύτη κατασβιδιού, ενεργήστε ως εξής:
- ◆ Αφαιρέστε το τσοκ (6).
- ◆ Για να τοποθετήσετε μία μύτη κατασβιδιού (16), τη σπρώχνετε μέσα στην άτρακτο (15) όπως υποδεικνύεται.
- ◆ Για να αφαιρέσετε τη μύτη του κατασβιδιού, τραβήξτε τον δακτύλιο (17) προς τα πίσω και βγάλτε τη μύτη από την άτρακτο.

Αφαίρεση και επανατοποθέτηση του τσοκ**KR60(L)/KR70(L) -Τσοκ χωρίς κλειδί (εικ. D)**

- ◆ Ανοίξτε το τσοκ όσο το δυνατόν περισσότερο.
- ◆ Αφαιρέστε τη βίδα συγκράτησης του τσοκ που βρίσκεται στο μπροστινό μέρος του τσοκ, στρέφοντάς τη προς τα δεξιά χρησιμοποιώντας ένα κατασβιδι.
- ◆ Προσαρμόστε ένα κλειδί Allen (18) στο τσοκ και χτυπήστε το με ένα σφυρί, όπως φαίνεται στη φωτογραφία.
- ◆ Απομακρύνετε το κλειδί Allen.
- ◆ Αφαιρέστε το τσοκ στρέφοντάς το αριστερόστροφα.
- ◆ Για να επανατοποθετήσετε το τσοκ, βιδώστε το στον άξονα και ασφαλίστε το με τη βίδα συγκράτησης.

KR60QC/KR70QC – Τσοκ Quick Connect™ (εικ. C)

- ◆ Για να αφαιρέσετε το τσοκ (6), κρατήστε πατημένες τις γλωττίδες απελευθέρωσης (14) και τραβήξτε το τσοκ έξω από την άτρακτο (15).
- ◆ Για να επανατοποθετήσετε το τσοκ, σπρώξτε το πάνω στην άτρακτο μέχρι να σταθεροποιηθεί στη θέση του.

Προειδοποίηση! Να βεβαιώνετε πάντα ότι το τσοκ έχει στερεωθεί καλά.

Χρήση

Προειδοποίηση! Πριν από τη διάτρηση τοίχων, δαπέδων ή οροφών, εντοπίστε τις θέσεις όπου βρίσκονται καλώδια και σωληνώσεις.

Επιλογή της κατεύθυνσης περιστροφής

Για διάτρηση και για τη σύσφιξη βιδών, χρησιμοποιείτε την περιστροφή προς τα εμπρός (δεξιόστροφη). Για το λύσιμο βιδών ή για να αφαιρέσετε τρυπάνι που έχει κολλήσει, χρησιμοποιείτε την ανάποδη περιστροφή (αριστερόστροφη).

- ◆ Για να επιλέξετε την περιστροφή προς τα εμπρός, πιέστε το συρόμενο διακόπτη λειτουργίας εμπρός/πίσω (3) προς τα αριστερά.
- ◆ Για να επιλέξετε την ανάποδη περιστροφή, πιέστε το συρόμενο διακόπτη λειτουργίας εμπρός/πίσω προς τα δεξιά.

Προειδοποίηση! Ποτέ μην αλλάζετε την κατεύθυνση της περιστροφής ενώ ο κινητήρας είναι σε λειτουργία.

Επιλογή κατάστασης διάτρησης

- ◆ Για διάτρηση σε τοιχοποιία, ρυθμίστε τον διακόπτη επιλογής κατάστασης διάτρησης (5) στη θέση **T**.
- ◆ Για διάτρηση σε άλλα υλικά και για εφαρμογές κατασβιδιού, ρυθμίστε τον διακόπτη επιλογής κατάστασης διάτρησης (5) στη θέση **2**.

KR60L/KR70L - Ένδειξη ευθύγραμμης διάτρησης Levelok™

Το εργαλείο αυτό διαθέτει ένδειξη για την διευκόλυνση της ευθύγραμμης διάτρησης. Το χαρακτηριστικό αυτό μπορεί να χρησιμοποιηθεί τόσο στην οριζόντια όσο και στην κατακόρυφη θέση. Η ένδειξη ενεργοποιείται όταν το εργαλείο είναι συνδεδεμένο με το ρεύμα.

- ◆ Τοποθετήστε το εργαλείο όπως απαιτείται.
- ◆ Μετακινήστε αργά το πίσω μέρος του εργαλείου μέχρι να ανέψει και να παραμείνει αναμμένη η κόκκινη ένδειξη (4).

Εναρξη και παύση της λειτουργίας

- ◆ Για να θέσετε σε λειτουργία το εργαλείο, πατήστε το διακόπτη ρυθμιζόμενης ταχύτητας (1). Η ταχύτητα του εργαλείου εξαρτάται από το βαθμό που θα πατήσετε το διακόπτη. Γενικά, να χρησιμοποιείτε χαμηλή ταχύτητα για μύτες τρυπανιού μεγάλης διαμέτρου και υψηλές ταχύτητες για μύτες τρυπανιού μικρής διαμέτρου.
- ◆ Για διαρκή λειτουργία, πατήστε το πλήκτρο ασφάλισης (2) και απελευθερώστε το διακόπτη ρυθμιζόμενης ταχύτητας. Η επιλογή είναι διαθέσιμη μόνο σε λειτουργία μέγιστης ταχύτητας.
- ◆ Για να σβήσετε το εργαλείο, απελευθερώστε το διακόπτη ρυθμιζόμενης ταχύτητας. Για να σβήσετε το εργαλείο όταν βρίσκεται σε κατάσταση συνεχόμενης λειτουργίας, πατήστε μία φορά το διακόπτη ρυθμιζόμενης ταχύτητας και ύστερα αφήστε τον.

Εξαρτήματα

Η απόδοση του εργαλείου σας εξαρτάται από τα εξαρτήματα που χρησιμοποιείτε. Τα εξαρτήματα Black & Decker και Piranha είναι σχεδιασμένα σύμφωνα με πρότυπα υψηλής ποιότητας για να βελτιώνουν την απόδοση του εργαλείου σας. Χρησιμοποιώντας τα θα επιτύχετε τη βέλτιστη απόδοση του εργαλείου.

Συντήρηση

Αυτό το εργαλείο έχει σχεδιαστεί έτσι ώστε να λειτουργεί για μεγάλο χρονικό διάστημα με την ελάχιστη δυνατή συντήρηση. Η αδιάλειπτη και κανονική λειτουργία του εξαρτάται από τη φροντίδα του εργαλείου και τον τακτικό καθαρισμό του.

- ◆ Καθαρίζετε τακτικά τις οπές εξερισμού με μια καθαρή, στεγνή βούρτσα.
- ◆ Για να καθαρίσετε το εργαλείο, χρησιμοποιήστε μόνο μαλακό σαπούνι και ένα υγρό πανάκι. Ποτέ μην αφήνετε οποιοδήποτε υγρό να εισχωρήσει στο εργαλείο και ποτέ μην εισάγετε οποιοδήποτε μέρος του εργαλείου μέσα σε υγρό.

Διάθεση εργαλείων και περιβάλλον



Ξεχωριστή συλλογή. Αυτό το προϊόν δεν πρέπει να απορριφθεί με συνηθισμένα σπτικά απορρίμματα.

Εάν κάποια μέρα διαπιστώσετε ότι το προϊόν σας Black & Decker χρειάζεται αντικατάσταση ή δεν σας χρησιμεύει πλέον, μην το απορρίψετε με τα σπτικά απορρίμματα. Κάντε αυτό το προϊόν διαθέσιμο για ξεχωριστή συλλογή.



Η ξεχωριστή συλλογή χρησιμοποιημένων προϊόντων και συσκευασιών επιτρέπει την ανακύκλωση υλικών. Η επανάχρηση ανακυκλωμένων υλικών βοηθάει την προστασία του περιβάλλον και μειώνει την ζήτηση για σπάνια υλικά.

Οι τοπικοί κανονισμοί μπορεί να παρέχουν ξεχωριστή συλλογή ηλεκτρικών προϊόντων από κατοικίες, δημοτικές τοποθεσίες απορριμμάτων ή από τον έμπορα όταν αγοράσατε το καινούργιο προϊόν.

Η Black & Decker δίνει τη δυνατότητα συλλογής και ανακύκλωσης των προϊόντων της που έχουν συμπληρώσει τη διάρκεια ζωής τους. Αν θέλετε να χρησιμοποιήσετε την εν λόγω υπηρεσία, επιστρέψτε το προϊόν σας σε οποιοδήποτε εξουσιοδοτημένο κέντρο επισκευών, όπου θα το παραλάβουν εκ μέρους σας.

Ενημερωθείτε για το πλησιέστερο κέντρο επισκευών της περιοχής σας, επικοινωνώντας με τα γραφεία της Black & Decker στη διεύθυνση που αναγράφεται στο εγχειρίδιο. Επίσης, για να πληροφορηθείτε τα εξουσιοδοτημένα κέντρα επισκευών της Black & Decker και τις λεπτομέρειες και τους αρμόδιους των υπηρεσιών που παρέχονται μετά την πώληση, μπορείτε να ανατρέξετε στο Διαδίκτυο στη διεύθυνση: www.2helpU.com

Ενημερωθείτε για το πλησιέστερο κέντρο επισκευών της περιοχής σας, επικοινωνώντας με τα γραφεία της Black & Decker στη διεύθυνση που αναγράφεται στο εγχειρίδιο. Επίσης, για να πληροφορηθείτε για τα εξουσιοδοτημένα κέντρα επισκευών της Black & Decker, τις λεπτομέρειες και τους αρμόδιους των υπηρεσιών που παρέχονται μετά την πώληση, μπορείτε να ανατρέξετε στο Διαδίκτυο στη διεύθυνση: www.2helpU.com.

Τεχνικά χαρακτηριστικά

	KR60	KR70
Τάση	V _{AC} 230	230
Ηλεκτρική τροφοδοσία	W 600	730
Ταχύτητα άφορτου κίνησης	min ⁻¹ 0-3.000	0-3.000
Βάρος	kg 2,3	2,3

Μέγιστη δυνατότητα διάτρησης

Ατσάλι/σκυρόδεμα	mm 13	13
Ξύλο	mm 25	25

Δήλωση συμμόρφωσης με την Ευρωπαϊκή Κοινότητα KR60/KR70

Η Black & Decker δηλώνει ότι τα προϊόντα αυτά συμμορφώνονται με:

98/37/EOK, 89/336/EOK, 73/23/EOK, EN 55014, EN 60745, EN 61000

L_{PA} (πίεση ήχου) 97,3 dB(A), L_{WA} (ακουστική ισχύς) 108,3 dB(A),
χειροβραχιονική δόνηση 10,7 m/s
 K_{PA} (αβεβαιότητα πίεσης ήχου) 3 dB(A),
 K_{WA} (αβεβαιότητα ακουστικής ισχύος) 3 dB(A)

Kevin Hewitt
Διευθυντής Εξυπηρέτησης Πελατών
Sprennymoor,
County Durham DL16 6JG,
Αγγλία
1-9-2005

Εγγύηση

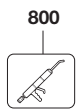
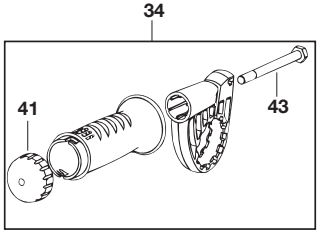
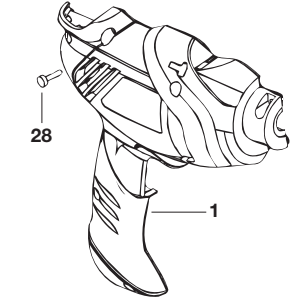
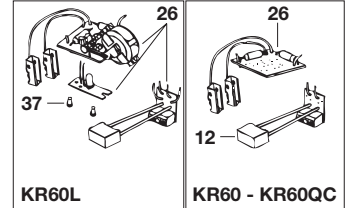
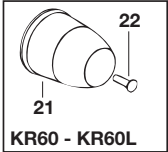
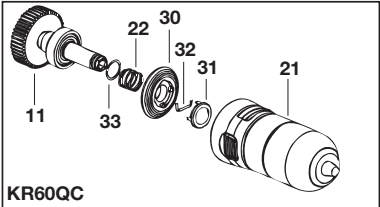
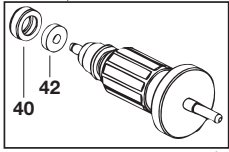
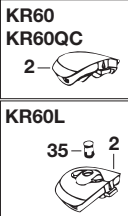
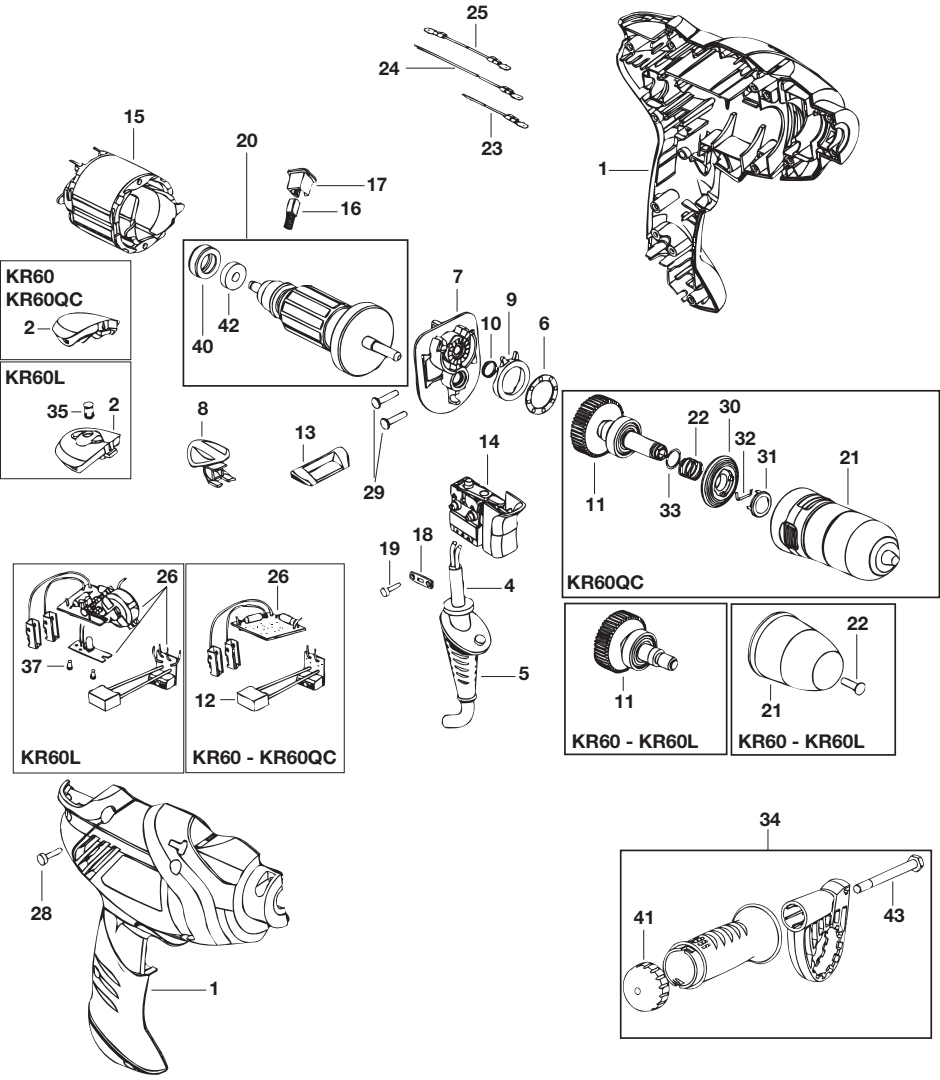
Η Black & Decker είναι σίγουρη για την ποιότητα των προϊόντων της και παρέχει σημαντική εγγύηση. Η παρούσα γραπτή εγγύηση αποτελεί πρόσθετο δικαίωμά σας και δεν ζημιώνει τα συνταγματικά σας δικαιώματα. Η εγγύηση ισχύει εντός της επικράτειας των Κρατών Μελών της Ευρωπαϊκής Ένωσης και της Ευρωπαϊκής Ζώνης Ελευθέρων Συναλλαγών.

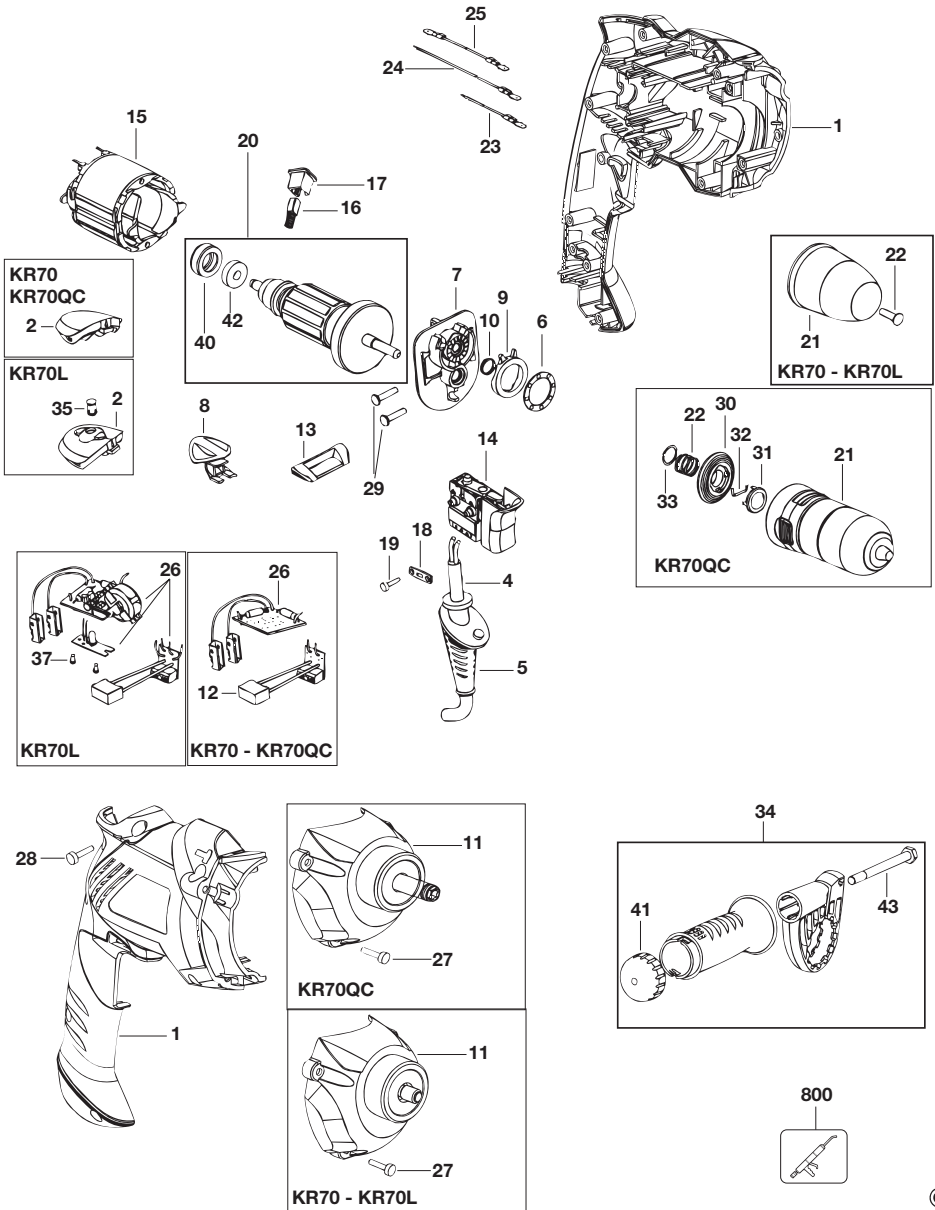
Σε περίπτωση που κάποιο προϊόν της Black & Decker παρουσιάσει βλάβη εξαιτίας ελαττωματικών υλικών, ποιότητας εργασίας ή έλλειψης συμφωνίας με τις προδιαγραφές εντός 24 μηνών από την ημερομηνία αγοράς, η Black & Decker εγγυάται την αντικατάσταση των ελαττωματικών τμημάτων, την επισκευή προϊόντων που έχουν υποστεί εύλογη φθορά λόγω χρήσης ή την αντικατάσταση των προϊόντων προκειμένου να εξασφαλιστεί την ελάχιστη ενόχληση στους πελάτες της, εκτός αν:

- ◆ Το προϊόν έχει χρησιμοποιηθεί σε εργασιακό, επαγγελματικό περιβάλλον ή αν έχει ενοικιαστεί
- ◆ Έχει γίνει εσφαλμένη χρήση του προϊόντος ή αν έχει παραμεληθεί
- ◆ Το προϊόν έχει υποστεί βλάβη από άλλα αντικείμενα, από ουσίες ή λόγω ατυχήματος
- ◆ Έχει γίνει προσπάθεια επισκευής από μη εξουσιοδοτημένα κέντρα επισκευών ή από προσωπικό που δεν ανήκει στο προσωπικό της Black & Decker

Για να ισχύσει η εγγύηση, πρέπει να υποβάλετε απόδειξη αγοράς στον πωλητή ή το εξουσιοδοτημένο κέντρο επισκευών. Ενημερωθείτε για το πλησιέστερο κέντρο επισκευών της περιοχής σας, επικοινωνώντας με τα γραφεία της Black & Decker στη διεύθυνση που αναγράφεται στο εγχειρίδιο. Επίσης, για να πληροφορηθείτε για τα εξουσιοδοτημένα κέντρα επισκευών της Black & Decker, τις λεπτομέρειες και τους αρμόδιους των υπηρεσιών που παρέχονται μετά την πώληση, μπορείτε να ανατρέξετε στο Διαδίκτυο στη διεύθυνση: www.2helpU.com.

Παρακαλώ εγγραφείτε στο website μας, www.blackanddecker.com, για να ενημερώνεστε σχετικά με τα νέα μας προϊόντα και τις ειδικές προσφορές μας. Περισσότερες πληροφορίες σχετικά με τη μάρκα Black & Decker και τη σειρά προϊόντων μας θα βρείτε στη διεύθυνση www.blackanddecker.com.





Australia	DeWALT Industrial Power Tool Company 7 Clarice Road, Box Hill, Victoria 3128	Tel. 03 9895 9200 Fax 03 9899 7465
Belgique/België	Black & Decker (Belgium) N.V. Campus Noord, Schaliënhoevedreef 20E 2800 Mechelen	Tel. 015 - 47 92 11 Fax 015 - 47 92 10
Danmark	Black & Decker Hejrevang 26B, 3450 Allerød Internet: www.blackdecker.dk	Tel. 70 20 15 10 Fax 48 14 63 30
Deutschland	Black & Decker GmbH Black & Decker Str. 40, D - 65510 Idstein	Tel. 06126/21 - 0 Fax 06126/21 22 22
Ελλάς	Black & Decker (Ελλάς) Α.Ε. Στράβωνος 7 & Λ. Βουλιαγμένης 159 166 74 Γλυφάδα, Αθήνα	Τηλ. (210) 898 1616 Τηλ. (210) 898 3570 Φαξ Σέρβις (210) 898 3285
España	Black & Decker Ibérica, S.C.A. Parque de Negocios "Mas Blau" Edificio Muntadas, c/Bergadá, 1, Of. A6 08820 El Prat de Llobregat (Barcelona)	Tel. 934 797 400 Fax 934 797 419
France	Black & Decker (France) S.A.S. B.P. 21, 69571 Dardilly Cédex	Tel. 04 72 20 39 20 Fax 04 72 20 39 00
Helvetia	RÖFO AG Gewerbezone Seeblick 3213 Kleinbödingen	Tel. 026-6749391 Fax 026-6749394
Italia	Black & Decker Italia SpA Viale Elvezia 2 20052 Monza (MI)	Tel. 039-23871 Fax 039-2387592/2387594 Numero verde 800-213935
Nederland	Black & Decker (Nederland) BV Florijnstraat 10, 4879 AH Etten-Leur	Tel. 076-5082000 Fax 076-5038184
New Zealand	Black & Decker 81 Hugo Johnston Drive Penrose, Auckland, New Zealand	Tel. 09 579 7600 Fax 09 579 8200
Norge	Black & Decker (Norge) A/S Postboks 248, Leirdal, 1011 Oslo Internet: www.blackdecker.no	Tlf. 22 90 99 00 Fax 22 90 99 01
Österreich	Black & Decker Vertriebsges.m.b.H Erlaaerstraße 165, 1231 Wien	Tel. 01 66116-0 Fax 01 66116-14
Portugal	Black & Decker Rua Egas Moniz 173 S. João do Estoril 2766-651, Estoril	Tel. 214667500 Fax 214667575
Suomi	Black & Decker Oy Palotie 3, 01610 Vantaa Black & Decker Oy, Brandvägen 3, 01610 Vanda	Puh: (09) 825 4540 Fax: (09) 8254 5444 Tel: (09) 825 4540 Fax: (09) 8254 5444
Sverige	Black & Decker AB Box 603, 421 26 Västra Frölunda, Besöksadr. Ekonomivägen 11	Tel: 031-68 60 00 Fax: 031-68 60 08
Türkiye	Black & Decker Merkez Servis Dudullu Cad. Kerembey Sok. No. 1 Küçükbakkalköy/Istanbul	Tel. 0216 455 89 73 Faks 0216 455 20 52
United Kingdom	Black & Decker 210 Bath Road Slough, Berkshire SL1 3YD	Tel. 01753 511234 Fax 01753 551155 Helpline 01753 574277

Dealer address
Händleradresse
Cachet du revendeur
Indirizzo del rivenditore
Adres van de dealer
Dirección del detallista
Morada do revendedor
Återförsäljarens adress
Forhandlerens adresse
Forhandler adresse
Jälleenmyyjän osoite
Διεύθυνση αντιπροσώπου

Date of purchase
Kaufdatum
Date d'achat
Data d'acquisto
Aankoopdatum
Fecha de compra
Data de compra
Inkõpsdatum
Innkjøpsdato
Indkøbsdato
Ostopaivä
Ημερομηνία αγοράς

◆ Name ◆ Nom ◆ Nome
◆ Naam ◆ Nombre ◆ Nome ◆ Namn
◆ Navn ◆ Navn ◆ Nimi ◆ Oνομα:

◆ Address ◆ Adresse ◆ Adresse ◆ Indirizzo ◆
Adres ◆ Dirección ◆ Morada ◆ Address ◆
Adresse ◆ Adresse ◆ Osoite ◆ Διεύθυνση:

◆ Town ◆ Ort ◆ Ville ◆ Città ◆ Plaats
◆ Ciudad ◆ Localidade ◆ Ort ◆ By ◆ By
◆ Paikkakunta ◆ Πόλη:

◆ Postal code ◆ Postleitzahl ◆ Code postal ◆
Codice postale ◆ Postcode
◆ Código ◆ Código postal ◆ Postnr.
◆ Postnr. ◆ Postnr. ◆ Postnummero
◆ Κωδικός

◆ Is this tool a gift? ◆ Ist dieses Gerät ein
Geschenk? ◆ S'agit-il d'un cadeau? ◆ Si tratta
di un regalo? ◆ Kreeg u de machine als cadeau?
◆ ¿Ha recibido usted esta herramienta como
regalo? ◆ Recebeu esta ferramenta como
presente? ◆ Är verktyget en gåva?
◆ Er verktoyet en gave? ◆ Er verktojet en gave?
◆ Onko kone lahja? ◆ Το εργαλείο είναι δώρο?

Yes ◆ Ja ◆ Oui ◆ Si ◆ Ja ◆ Si ◆
 Sim ◆ Ja ◆ Ja ◆ Ja ◆ Kyllä ◆ Nαι
 No ◆ Nein ◆ Non ◆ No ◆ Nee
◆ No ◆ Não ◆ Nej ◆ Nei ◆ Nej
◆ Ei ◆ Oxi

◆ Is this tool your first purchase? ◆ Ist dieses
Gerät ein Erstkauf? ◆ Est-ce un 1er achat? ◆
Questo prodotto è il suo primo acquisto? ◆ Is
dette machine uw eerste aankoop? ◆ ¿Es esta
herramienta la primera de este tipo?
◆ Esta ferramenta é a sua primeira compra? ◆
Är detta ditt första B&D-verktyg? ◆ Er dette ditt
første B&D verktoyet? ◆ Er dette dit første B&D
verktøj? ◆ Onko tämä ensimmäinen B&D-

koneesi? ◆ Είναι το εργαλείο αυτό η
πρώτη σας αγορά?

Yes ◆ Ja ◆ Oui ◆ Si ◆ Ja ◆ Si
 Sim ◆ Ja ◆ Ja ◆ Ja ◆ Kyllä ◆ Nαι
 No ◆ Nein ◆ Non ◆ No ◆ Nee
◆ No ◆ Não ◆ Nej ◆ Nei ◆ Nej
◆ Ei ◆ Oxi

◆ Dealer address ◆ Händleradresse
◆ Cachet du revendeur ◆ Indirizzo del
rivenditore ◆ Adres van de dealer
◆ Dirección del detallista ◆ Morada do
revendedor ◆ Återförsäljarens adress
◆ Forhandlerens adresse ◆ Forhandler adresse
◆ Jälleenmyyjän osoite
◆ Διεύθυνση αντιπροσώπου

Cat. no.:



- ✦ **GUARANTEE CARD** ✦ **GARANTIEKARTE** ✦ **CARTE DE GARANTIE** ✦ **TAGLIANDO DI GARANZIA**
✦ **GARANTIEKAART** ✦ **TARJETA DE GARANTÍA** ✦ **CARTÃO DE GARANTIA** ✦ **GARANTIBEVIS**
✦ **GARANTI KORT** ✦ **GARANTI KORT** ✦ **TAKUKUKORTTI** ✦ **KAPTA EFTYHSHZ**



English

Please complete this section immediately after the purchase of your tool and send it to Black & Decker in your country. If you live in Australia or New Zealand, please register by using the alternative guarantee card supplied.

Deutsch

Bitte schneiden Sie diesen Abschnitt ab, stecken ihn in einen frankierten Umschlag und schicken ihn an die Black & Decker Adresse Ihres Landes.

Français

Découpez cette partie et envoyez-la sous enveloppe timbrée à l'adresse de Black & Decker dans votre pays, ceci immédiatement après votre achat.

Italiano

Per favore ritagliate questa parte, inseritela in una busta con francobollo e spediteola subito dopo l'acquisto del prodotto all'indirizzo della Black & Decker nella vostra nazione.

Nederlands

Knip dit gedeelte uit en zend het direct na aankoop in een gefrankeerde, geaddresseerde envelop naar het adres van Black & Decker in uw land.

Español

Después de haber comprado su herramienta envíe usted, por favor, esta tarjeta a la central de Black & Decker en su país.

Português

Por favor, recorte esta parte, coloque-a num envelope selado e endereçado e envie-o logo após a compra do seu produto para o endereço da Black & Decker do seu país.

Svenska

Var vänlig klipp ur denna del och sänd den i ett frankerat kuvert till Black & Deckers adress i Ditt land.

Norsk

Vennligst klipp ut denne delen umiddelbart etter du har pakket ut ditt produkt og legg det i en adressert konvolutt til Black & Decker (Norge) A/S.

Dansk

Venligst klip denne del ud og send frankeret til Black & Decker i dit land.

Suomi

Leikkaa irti tämä osa, laita se kuoreen ja postita kuori paikalliseen Black & Decker osoitteeseen.

Ελληνικά

Το αμέσως μετά την αγορά του προϊόντος σας στην διεύθυνση της Black & Decker στην Ελλάδα.