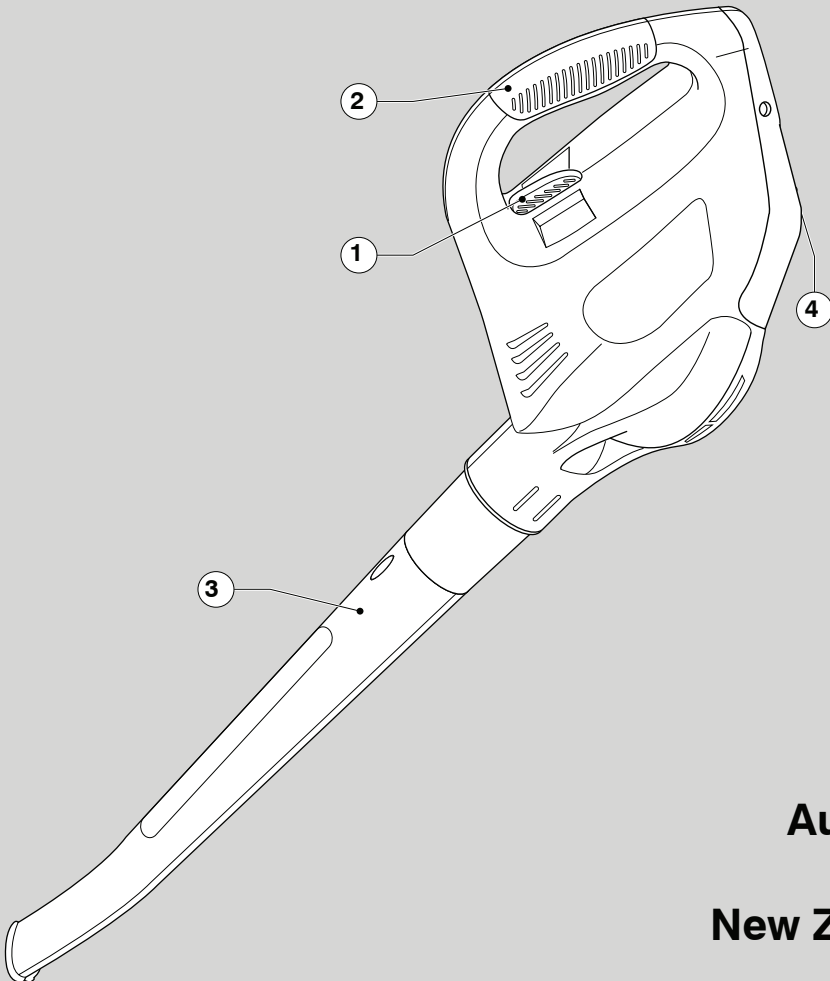




**BLACK &
DECKER®**

www.blackanddecker.com.au



Australia

New Zealand

FIG 1

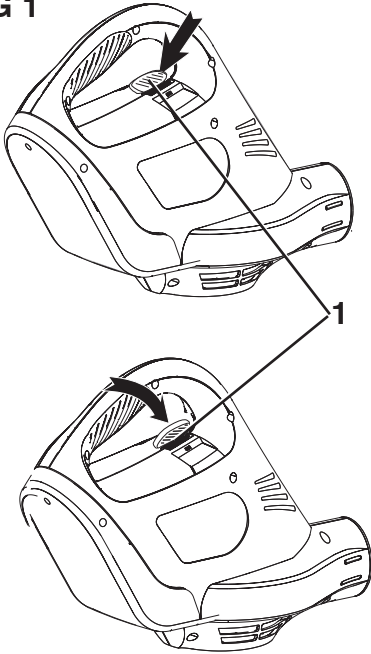


FIG 2

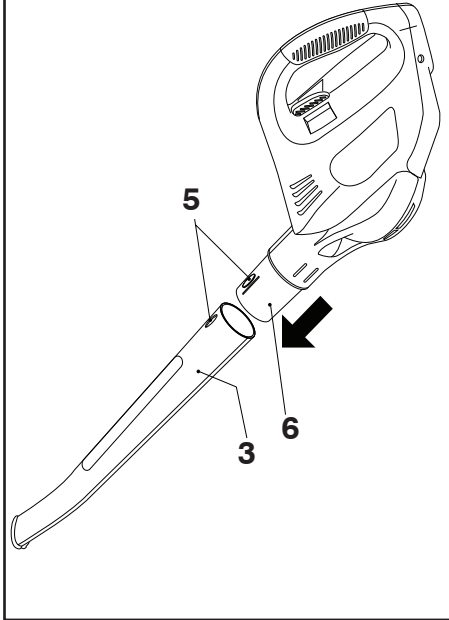


FIG 3

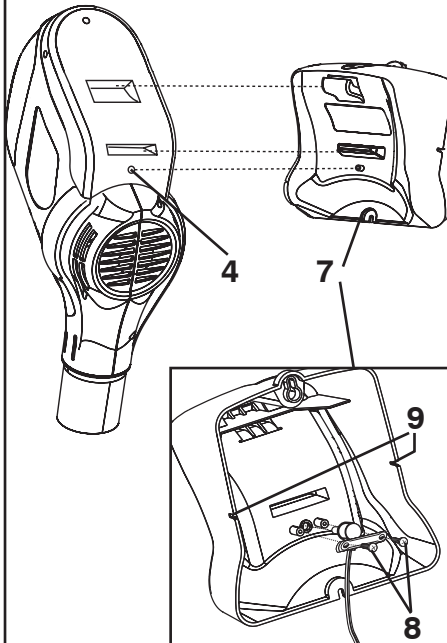
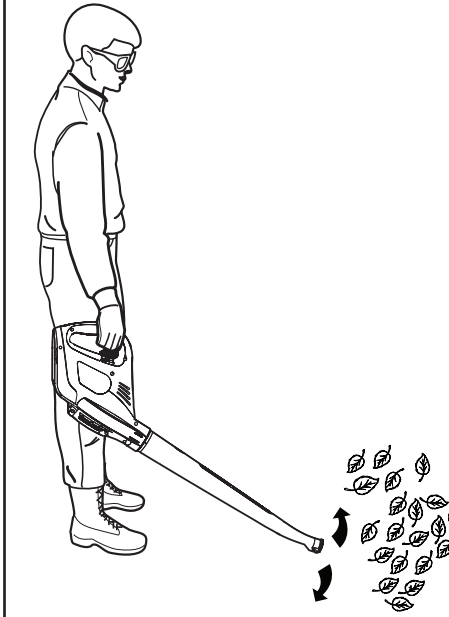


FIG 4



Intended use

Your Black & Decker cordless blower has been designed for blowing leaves and debris. This tool is intended for consumer and outdoor use only.

Your Black & Decker charger has been designed for charging Black & Decker batteries of the type supplied with this tool.

Safety instructions

- ◆ **Warning!** When using battery-powered tools, basic safety precautions, including the following, should always be followed to reduce the risk of fire, leaking batteries, personal injury and material damage.
- ◆ Read all of this manual carefully before operating the tool.
- ◆ Retain this manual for future reference.

Keep work area clean

Cluttered areas and benches can cause accidents.

Consider work area environment

Do not expose the tool to rain. Do not use the tool in damp or wet conditions. Keep the work area well lit. Do not use the tool where there is a risk of causing fire or explosion, e.g. in the presence of flammable liquids and gases.

Keep children away

Do not allow children, visitors or animals to come near the work area or to touch the tool.

Dress properly

Do not wear loose clothing or jewellery, as these can be caught in moving parts. Preferably wear rubber gloves and non-slip footwear when working outdoors. Wear protective hair covering to keep long hair out of the way.

Personal protection

Always use safety glasses. Use a face or dust mask whenever the operations may produce dust or flying particles.

Hearing protection should be worn.

Do not overreach

Keep proper footing and balance at all times.

Stay alert

Watch what you are doing. Use common sense. Do not operate the tool when you are tired.

Secure workpiece

Use clamps or a vice to hold the workpiece. It is safer and it frees both hands to operate the tool.

Connect dust extraction equipment

If devices are provided for the connection of dust extraction and collection facilities, ensure that these are connected and properly used.

Remove adjusting keys and wrenches

Always check that adjusting keys and wrenches are removed from the tool before operating the tool.

Use appropriate tool

The intended use is described in this instruction manual.

Do not force small tools or attachments to do the job of a heavy-duty tool. The tool will do the job better and safer at the rate for which it was intended. Do not force the tool.

Warning! The use of any accessory or attachment or performance of any operation with this tool other than those recommended in this instruction manual may present a risk of personal injury.

Check for damaged parts

Before use, carefully check the tool for damage. Check for misalignment and seizure of moving parts, breakage of parts, damage to guards and switches and any other conditions that may affect its operation. Ensure that the tool will operate properly and perform its intended function. Do not use the tool if any part is damaged or defective. Do not use the tool if the switch does not turn it on and off. Have any damaged or defective parts repaired or replaced by an authorised repair agent. Never attempt any repairs yourself.

Remove the battery

Where the design permits, remove the battery when the tool is not in use, before changing any parts of the tool, accessories or attachments and before servicing.

Avoid unintentional starting

Do not carry the tool with a finger on the on/off switch. Be sure that the tool is switched off when inserting the battery into the tool.

Do not abuse cord

Never carry the charger by its cord or pull it to disconnect from the socket. Keep the cord away from heat, oil and sharp edges.

Store idle tools

When not in use, tools, batteries and chargers should be stored in a dry, locked up or high place, out of reach of children.

Maintain tools with care

Keep cutting tools sharp and clean for better and safer performance. Follow the instructions for maintenance and changing accessories. Keep handles and switches dry, clean and free from oil and grease.

Repairs

This tool complies with relevant safety requirements. Repairs should only be carried out by qualified persons using original spare parts; otherwise this may result in considerable danger to the user.

Additional safety instructions for Australia and New Zealand.

Young children and the infirm. This appliance is not intended for use by young children or infirm persons without supervision. Young children should be supervised to ensure that they do not play with this appliance.

Additional safety instructions for battery and charger.

⚠️WARNING: When using electric tools, basic safety precautions should always be followed to reduce risk of fire, electric shock, and personal injury, including the following:

- Do not incinerate the battery even if it is severely damaged or is completely worn out. The battery can explode in a fire. Check with local codes for possible special disposal instructions.
- If any leakage of liquid from the battery cells occurs, discontinue use immediately and return the battery to your local Black & Decker Service Centre or authorized service facility.
- Never attempt to open the battery for any reason. If the plastic housing of the battery breaks or cracks, immediately discontinue use and do not recharge.
- Do not charge appliance in rain or in wet locations
- Do not open or mutilate the battery. Released electrolyte is corrosive and may cause damage to the eyes or skins. It may be toxic if swallowed.
- Exercise care in handling batteries in order not to short the battery with conducting materials such as rings, bracelets and keys. The battery or conductor may overheat and cause burns.
- Do not operate charger with damaged cord or plug - have them replaced immediately.
- Do not operate charger if it has received sharp blow, been dropped, or otherwise damaged in any way; take it to a qualified Black & Decker service centre.
- Do not disassemble charger; take it to a qualified Black & Decker service center when service or repair is required. Incorrect reassembly may result in risk of electric shock or fire. There are no consumer serviceable parts inside.
- The charger is designed to operate on standard household electrical power (230 volt, 50Hz ac only). Do not attempt to use it on any other voltage.
- Do not abuse charger cord. To reduce the risk of damage to electric plug and cord never carry charger by cord or yank it to disconnect from receptacle. Keep charger cord away from heat, oil, and sharp edges.

Electrical safety



The charger is intended for indoor use only.



Your charger is double insulated; therefore no earth wire is required. Always check that the mains voltage

corresponds to the voltage on the rating plate. Never attempt to replace the charger unit with a regular mains plug.

Labels on tool

The following pictograms are shown on the tool:



Warning! To reduce the risk of injury, the user must read the instruction manual.

BATTERY

THE LEAD ACID BATTERY FOR YOUR SWEEPER IS ONLY PARTIALLY CHARGED AT THE FACTORY. BEFORE USING YOUR SWEEPER, THE BATTERY MUST BE CHARGED FOR A MINIMUM OF 24 HOURS.

- If the battery case cracks due to a fall or other impact and the electrolyte gel leaks out, wipe it up with a cloth, neutralize the acid with any alkaline substance such as ammonia solution or baking soda. If the electrolyte gets on your skin, immediately flush with water and consult a doctor.
- Your Sweeper is equipped with a charger bracket that may be mounted firmly to a wall in your garage, shed or similar building. (Hardware for hanging the bracket is included in the plastic bag packed with the Sweeper.) Charging your battery in this bracket is very convenient because it hangs the tool up, out of the way and ensures a good, solid contact between the charging terminals.

MOUNTING THE CHARGER BRACKET (Fig.3)

1. If you intend to charge the Sweeper in the charger bracket follow the instructions under assembly instructions on attaching the plug clamp in this manual.
2. Remove the two screws and the plastic anchors from the plastic bag.
3. Use the charger bracket (7) to mark the locations of the holes required. Be sure to mount the bracket high enough so that the Sweeper can hang freely from it; about 1.2m (4 feet) from the floor.
4. Drill a 5.5 mm (7/32") diameter hole at each marked location.
5. Insert the plastic anchors into the holes and insert one of the screws in each one. Tighten the screws until the heads are above the anchors just enough so that the charger bracket will fit between the anchor and the screw head.
6. Place the charger bracket on the wall (narrow end up) and make sure that the power cord is positioned in the side slot (9). Press the charger bracket over the screw heads and slide it down until it sits firmly on the screws.
7. Firmly tighten both screws.

NOTE: If you prefer to charge the unit without the use of the wall mounted charger bracket, remove the two screws (8) and remove the charger plug from the bracket. (Fig. 3). Simply plug the charger into the unit to charge (4).

TO CHARGE YOUR BATTERY, FOLLOW THE STEPS BELOW

1. Install the sweeper onto the charger bracket by positioning the hanging recess, shown in FIG 3 over the upper hook of the charger bracket.
2. Rotate the sweeper down, keeping the upper hook engaged with the hanging recess, and position the locating recess over the lower boss of the charger bracket.
3. Plug the charger cord into any standard 230 volt, 50Hz outlet. The red LED should be glowing. Charging will begin immediately and continue at a slow trickle rate until you remove the sweeper from the bracket.

- 4. Keep on charge when not in use for maximum battery life.

Additional safety instructions for blowers

Warning! Do not point the tool at persons or animals when it is switched on.



Wear safety glasses or goggles when operating this tool.

- ◆ Use a face or dust mask whenever the operations take place in dusty surroundings.
- ◆ Do not expose the tool to rain or high humidity.
- ◆ Do not place outlet tubes near eyes or ears when operating.
- ◆ Do not cross gravel paths or place the tool on gravel while the tool is switched on.
- ◆ Do not place any objects into the openings and moving parts.
- ◆ Before removing the blow tube, always switch off the tool, and allow the tool to run down.
- ◆ Read the instructions carefully. Be familiar with the controls and the proper use of the appliance.
- ◆ Do not allow children or any person unfamiliar with these instructions to operate the appliance. Local regulations may restrict the age of the operator.
- ◆ Never use the appliance while people, especially children, or pets are nearby.
- ◆ Remember that the operator will be held responsible for accidents or hazards occurring to other people or their property.

Preparation

- ◆ Do not operate your product barefoot or in open sandals.
- ◆ To protect your feet and legs, always wear stout shoes or boots and long trousers - freshly cut grass is damp and slippery. Rubber or man made footwear will enhance your

Warning! Only use the tool in the manner it was intended.

Overview

1. On/Off switch
2. Handle
3. Blow tube
4. Charging socket

Assembly

Warning! Before assembly, remove the unit from the charger.

Connecting the blow tube (fig. 2)

Blow tube must be assembled to the blow clamshell before use.

- Align the circles (5) on the clamshell (6) and the tube (3).
- Push the tube firmly onto the clamshell until the circles click into place.

- For storage the blow tube can be detached from the blow clamshell by depressing the circles on either side and gently sliding off the tube.

Use

TO REDUCE RISK OF INJURY:

- Before any use, be sure everyone using this tool reads and understands all safety instructions and other information contained in this manual.
- Save these instructions and review frequently prior to use and in instructing others.
- Do not point tool discharge at self or by standers.
- Keep long hair and loose clothing away from openings and moving parts.

⚠WARNING: When using an electric tool, basic safety precautions should always be followed to reduce risk of fire, electric shock, and personal injury, including the following.

⚠WARNING: Some dust created by this product contains chemicals known to the State of California to cause cancer, birth defects or other reproductive harm. Some examples of these chemicals are:

- compounds in fertilizers
- compounds in insecticides, herbicides and pesticides
- arsenic and chromium from chemically treated timber

To reduce your exposure to these chemicals, wear approved safety equipment such as dust masks that are designed to filter out microscopic particles.

⚠WARNING: This product contains chemicals, including lead, known to cause cancer, and birth defects or other reproductive harm. Wash hands after handling.

READ AND UNDERSTAND ALL INSTRUCTIONS BEFORE USING.

Switching on and off (Fig. 1)

- To switch the tool on, press the on/off switch (1) to the right.
- To switch the tool off, press the on/off switch to the left.

Hints for optimum use (Fig 4)

- Hold the blow tube approx. 180 mm (7") above the ground when operating the tool.
- Use a sweeping motion from side to side. Advance slowly keeping the accumulated debris/leaves in front of you (fig. 4).
- After blowing the debris/leaves into a pile, it is easy to dispose of the pile.

Cleaning the tool

Clean the tool regularly.

⚠Warning! Keep your product dry. Under no circumstances spray with water.

• To clean the tool, use only mild soap and a damp cloth.

⚠Warning! Do not use any type of detergent, cleaner or solvent which may contain chemicals that could seriously damage the plastic.

• Self lubricating bearings are used in your product, therefore lubrication is not required.

Protecting the environment



Separate collection. This product must not be disposed of with normal household waste.

Should you find one day that your Black & Decker product needs replacement, or if it is of no further use to you do not dispose of it with household waste. Make this product available for separate collection.



Separate collection of used products and packaging allows materials to be recycled and used again. Re-use of recycled materials helps prevent environmental pollution and reduces the demand for raw materials.

Local regulations may provide for separate collection of electrical products from the household, at municipal waste sites or by the retailer when you purchase a new product.

Black & Decker provides a facility for the collection and recycling of Black & Decker products once they have reached the end of their working life. To take advantage of this service please return your product to any authorised repair agent who will collect them on our behalf.

You can check the location of your nearest authorised repair agent by contacting your local Black & Decker office at the address indicated in this manual. Alternatively, a list of authorised Black & Decker repair agents and full details of our after-sales service and contacts are available on the internet at: www.2helpU.com

Batteries



Black & Decker batteries can be recharged many times. At the end of their useful life, discard batteries with due care for our environment:

- ◆ Run the battery down completely, then remove it from the tool.
- ◆ NiCd, NiMH, Li-Ion and lead acid batteries are recyclable. Take them to any authorised repair agent or a local recycling station.

Technical data

CS100-XE

Voltage	12V DC
Weight	3.3 kg
Battery Type	HR5.5-12 Sealed Lead Acid

Charger

Voltage	230 VAC
Approx. charging time	16 hrs

EC declaration of conformity

CS100-XE

Black & Decker declares that these products conform to: 98/37/EC, 2006/95/EC, EN 50260, EN 61000, EN 60335 2000/14/EC, Leaf blower, 2.0 m³, Annex V

Level of sound pressure, measured according to 2000/14/EC:

L_{PA} (sound pressure) 74 dB(A), uncertainty (K) 3 dB(A)

L_{WA} (acoustic power) 88 dB(A), uncertainty (K) 3 dB(A)

L_{WA} (guaranteed) 90 dB(A), uncertainty (K) 3 dB(A)

Hand/arm weighted vibration value according to EN 60745 Annex K: 2.5 m/s²

The undersigned is responsible for compilation of the technical file and makes this declaration on behalf of Black & Decker.

Kevin Hewitt
Director of Consumer Engineering
Spennymoor, County Durham DL16 6JG,
United Kingdom
1-7-2008

AUSTRALIA AND NEW ZEALAND 2YEAR REPAIR GUARANTEE

Black & Decker welcomes you as a purchaser of this product from our range of Home Products, Garden tools and Accessories. All our products are engineered and manufactured to ensure the highest standards of reliability and performance during use, and are supported in After Sales Service by a wide network of Black & Decker Authorised Service Centres.

BLACK & DECKER SUPPLEMENTARY GUARANTEE

Subject to the conditions stated below, Black&Decker guarantees that it will correct by repair or parts replacement, without charge, any defect in the product arising from faulty workmanship or materials where such defect arises within two years from the date of purchase of the product. A product subject to claim under this guarantee should be returned as a complete unit to the most convenient Black&Decker Authorised Service Centre or Agent.

CONDITIONS.

The Black&Decker Supplementary Guarantee does not apply in the following cases:

- ◆ where the product has been used for trade or industrial purposes:
- ◆ where any defect or failure is attributed to accident, misuse, abuse, negligence or non-observance of local regulations on the part of the owner or user: or
- ◆ where the product has been serviced by a person not authorised by Black&Decker to do so, or with non approved parts: or
- ◆ to loose accessories.

In order to enforce the Black&Decker Supplementary Guarantee, proof of purchase is required (purchase receipt). The period of the Black&Decker Supplementary Guarantee begins from the original date of purchase not withstanding any subsequent repair or parts replacement. No guarantees other than contained in this document, whether written or verbal, are authorised to be made on behalf of Black&Decker. All other conditions and guarantees whether expressed or implied by law, are, to the extent permitted by law, hereby excluded. The Black&Decker Supplementary Guarantee does not apply outside Australia and New Zealand.

PURCHASERS STATUTORY RIGHTS.

The Black&Decker Supplementary Guarantee set out above does not exclude any conditions or guarantees that may be mandatorily implied by law, and your attention is drawn to the provisions of the Consumer Guarantee Act 1993 (New Zealand only), Trade practices Act 1974 and State legislation (Australia only), which confers rights upon consumers. This is in addition to any rights conferred on a consumer under the Act, where applicable and any other rights provided under applicable legislation.

Australia

Black & Decker (Australia) Pty.Ltd.

20 Fletcher Road Tel. 03 8720 5100
Mooroolbark, Victoria 3128 Fax 03 9727 5940

New Zealand

Black & Decker New Zealand Pty. Ltd.

5 Te Apunga Place Tel. 0800339 258
Mt. Wellington, Auckland. Fax 09 259 1122