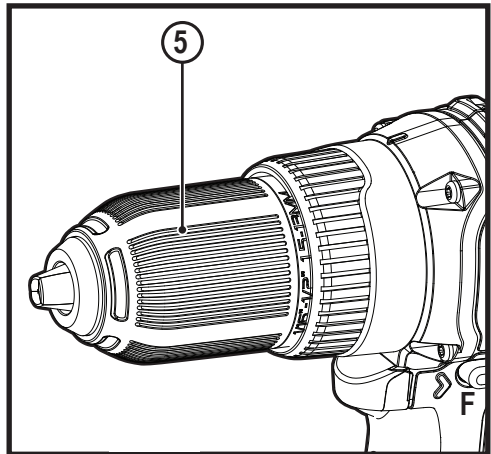
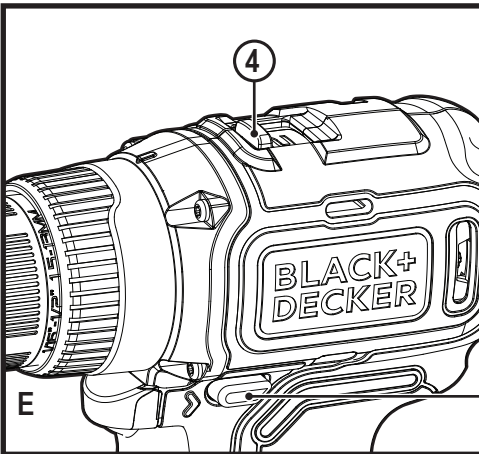
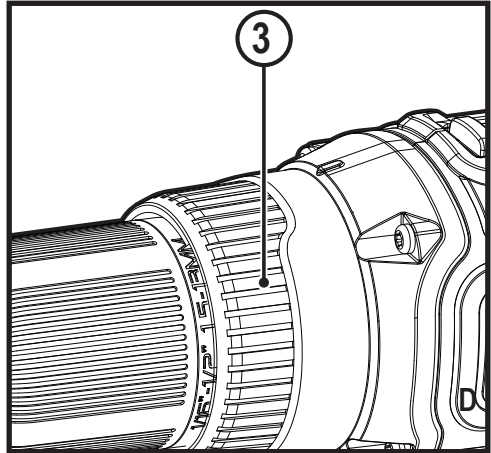
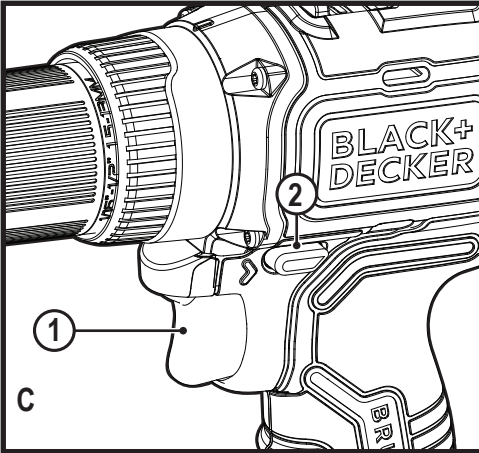
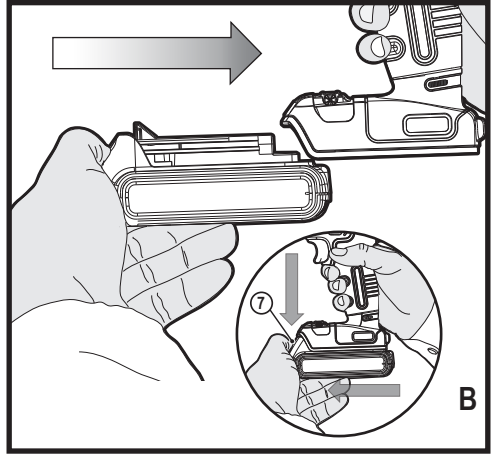
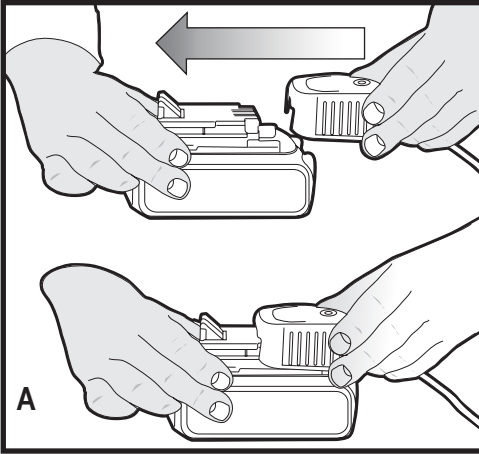


English (original instructions).....	4
Deutsch (Übersetzung der Originalanweisung).....	10
Français (traduction de la notice d'instructions originale).....	18
Italiano (tradotto dalle istruzioni originali) .....	25
Nederlands (vertaald vanuit de originele instructies).....	32
Español (traducido de las instrucciones originales) .....	39
Português (traduzido das instruções originais) .....	47
Svenska (översatt från de ursprungliga instruktionerna).....	54
Norsk (oversatt fra de originale instruksjonene) .....	60
Dansk (oversat fra original brugsvejledning) .....	66
Suomi (käännetty alkuperäisestä käyttöohjeesta) .....	73
Ελληνικά (μετάφραση από τις πρωτότυπες οδηγίες) .....	79



## Intended use

Your BLACK+DECKER BL186 drill has been designed for screwdriving applications and for drilling in wood, metal and plastics. This tool is intended for consumer use only.

## Safety instructions

### General power tool safety warnings



**Warning!** Read all safety warnings, instructions, illustrations and specifications provided with this power tool. Failure to follow all instructions listed below may result in electric shock, fire and/or serious injury.

### Save all warnings and instructions for future reference.

The term "power tool" in all of the warnings listed below refers to your mains operated (corded) power tool or battery operated (cordless) power tool.

1. **Work area safety**
  - a. **Keep work area clean and well lit.** Cluttered or dark areas invite accidents.
  - b. **Do not operate power tools in explosive atmospheres, such as in the presence of flammable liquids, gases or dust.** Power tools create sparks which may ignite the dust or fumes.
  - c. **Keep children and bystanders away while operating a power tool.** Distractions can cause you to lose control.
2. **Electrical safety**
  - a. **Power tool plugs must match the outlet. Never modify the plug in any way.**  
Do not use any adapter plugs with earthed (grounded) power tools. Unmodified plugs and matching outlets will reduce risk of electric shock.
  - b. **Avoid body contact with earthed or grounded surfaces such as pipes, radiators, ranges and refrigerators.** There is an increased risk of electric shock if your body is earthed or grounded.
  - c. **Do not expose power tools to rain or wet conditions.** Water entering a power tool will increase the risk of electric shock.
  - d. **Do not abuse the cord. Never use the cord for carrying, pulling or unplugging the power tool. Keep cord away from heat, oil, sharp edges or moving parts.** Damaged or entangled cords increase the risk of electric shock.
  - e. **When operating a power tool outdoors, use an extension cord suitable for outdoor use.** Use of a cord suitable for outdoor use reduces the risk of electric shock.
3. **Personal safety**
  - a. **Stay alert, watch what you are doing and use common sense when operating a power tool.**  
Do not use a power tool while you are tired or under the influence of drugs, alcohol or medication. A moment of inattention while operating power tools may result in serious personal injury.
  - b. **Use personal protective equipment. Always wear eye protection.** Protective equipment such as dust mask, non-skid safety shoes, hard hat, or hearing protection used for appropriate conditions will reduce personal injuries.
  - c. **Prevent unintentional starting. Ensure the switch is in the off-position before connecting to power source and/or battery pack, picking up or carrying the tool.** Carrying power tools with your finger on the switch or energising power tools that have the switch on invites accidents.
  - d. **Remove any adjusting key or wrench before turning the power tool on.** A wrench or a key left attached to a rotating part of the power tool may result in personal injury.
  - e. **Do not overreach. Keep proper footing and balance at all times.** This enables better control of the power tool in unexpected situations.
  - f. **Dress properly. Do not wear loose clothing or jewellery. Keep your hair, clothing and gloves away from moving parts.** Loose clothes, jewellery or long hair can be caught in moving parts.
  - g. **If devices are provided for the connection of dust extraction and collection facilities, ensure these are connected and properly used.** Use of dust collection can reduce dust-related hazards.
  - h. **Do not let familiarity gained from frequent use of tools allow you to become complacent and ignore tool safety principles.** A careless action can cause severe injury within a fraction of a second.
4. **Power tool use and care**
  - a. **Do not force the power tool. Use the correct power tool for your application.**  
The correct power tool will do the job better and safer at the rate for which it was designed.
  - b. **Do not use the power tool if the switch does not turn it on and off.** Any power tool that cannot be controlled with the switch is dangerous and must be repaired.
- f. **If operating a power tool in a damp location is unavoidable, use a residual current device (RCD) protected supply.** Use of an RCD reduces the risk of electric shock.

- c. **Disconnect the plug from the power source and/or remove the battery pack, if detachable, from the power tool before making any adjustments, changing accessories, or storing power tools.** Such preventive safety measures reduce the risk of starting the power tool accidentally.
- d. **Store idle power tools out of the reach of children and do not allow persons unfamiliar with the power tool or these instructions to operate the power tool.** Power tools are dangerous in the hands of untrained users.
- e. **Maintain power tools and accessories. Check for misalignment or binding of moving parts, breakage of parts and any other condition that may affect the power tools operation. If damaged, have the power tool repaired before use.** Many accidents are caused by poorly maintained power tools.
- f. **Keep cutting tools sharp and clean.** Properly maintained cutting tools with sharp cutting edges are less likely to bind and are easier to control.
- g. **Use the power tool, accessories and tool bits etc. in accordance with these instructions, taking into account the working conditions and the work to be performed.**  
Use of the power tool for operations different from those intended could result in a hazardous situation.
- h. **Keep handles and grasping surfaces dry, clean and free from oil and grease.** Slippery handles and grasping surfaces do not allow for safe handling and control of the tool in unexpected situations.
- 5. Battery tool use and care (only used for battery tools)**
- a. **Recharge only with the charger specified by the manufacturer.** A charger that is suitable for one type of battery pack may create a risk of fire when used with another battery pack.
- b. **Use power tools only with specifically designated battery packs.** Use of any other battery packs may create a risk of injury and fire.
- c. **When battery pack is not in use, keep it away from other metal objects, like paper clips, coins, keys, nails, screws, or other small metal objects, that can make a connection from one terminal to another.** Shorting the battery terminals together may cause burns or a fire.
- d. **Under abusive conditions, liquid may be ejected from the battery; avoid contact. If contact accidentally occurs, flush with water. If liquid contacts eyes, additionally seek medical help.** Liquid ejected from the battery may cause irritation or burns.
- e. **Do not use a battery pack or tool that is damaged or modified.** Damaged or modified batteries may exhibit unpredictable behaviour resulting in fire, explosion or risk of injury.
- Do not expose a battery pack or tool to fire or excessive temperature.** Exposure to fire or temperature above 130 °C may cause explosion. NOTE: The temperature „130 °C“ can be replaced by the temperature „265 °F“.
- f. **Follow all charging instructions and do not charge the battery pack or tool outside the temperature range specified in the instructions.** Charging improperly or at temperatures outside the specified range may damage the battery and increase the risk of fire.
- 6. Service**
- a. **Have your power tool serviced by a qualified repair person using only identical replacement parts.** This will ensure that the safety of the power tool is maintained.
- b. **Never service damaged battery packs.** Service of battery packs should only be performed by the manufacturer or authorized service providers (only used for battery tools).
- Safety Instructions for All Operations**
- **Wear ear protectors when impact drilling.** Exposure to noise can cause hearing loss.
  - **Hold power tool by insulated gripping surfaces, when performing an operation where the cutting accessory or the fastener may contact hidden wiring.** Cutting accessory or the fastener contacting a “live” wire may make exposed metal parts of the power tool “live” and could give the operator an electric shock.
- Safety Instructions When Using Long Drill Bits**
- **Never operate at higher speed than the maximum speed rating of the drill bit.** At higher speeds, the bit is likely to bend if allowed to rotate freely without contacting the workpiece, resulting in personal injury.
  - **Always start drilling at low speed and with the bit tip in contact with the workpiece.** At higher speeds, the bit is likely to bend if allowed to rotate freely without contacting the workpiece, resulting in personal injury.
  - **Apply pressure only in direct line with the bit and do not apply excessive pressure.** Bits can bend causing breakage or loss of control, resulting in personal injury.
- Additional Safety Warnings for Drill/ Driver/ Hammerdrill**
- Use clamps or other practical way to secure and support the workpiece to a stable platform. Holding the work by hand or against your body is unstable and may lead to loss of control.

- Accessories and tool may get hot during operation. Wear gloves when handling them if performing heat producing applications such as drilling metals.
- Air vents often cover moving parts and should be avoided. Loose clothes, jewelry or long hair can be caught in moving parts.
- Wear safety goggles or other eye protection. Hammering and drilling operations cause chips to fly. Flying particles can cause permanent eye damage.
- Wear ear protectors when impact drilling. Exposure to noise can cause hearing loss.
- Use auxiliary handle(s), if supplied with the tool. Loss of control can cause personal injury.
- Do not operate this tool for long periods of time. Vibration caused by tool action may be harmful to your hands and arms. Use gloves to provide extra cushion and limit exposure by taking frequent rest periods.

### Safety of others

- This appliance can be used by children aged from 8 years and above and persons with reduced physical, sensory or mental capabilities or lack of experience and knowledge if they have been given supervision or instruction concerning use of the appliance in a safe way and understand the hazards involved.
- Children shall not play with the appliance. Cleaning and user maintenance shall not be made by children without supervision.

### Residual risks

Additional residual risks may arise when using the tool which may not be included in the enclosed safety warnings. These risks can arise from misuse, prolonged use etc.

Even with the application of the relevant safety regulations and the implementation of safety devices, certain residual risks can not be avoided. These include:

- Injuries caused by touching any rotating/moving parts.
- Injuries caused when changing any parts, blades or accessories.
- Injuries caused by prolonged use of a tool. When using any tool for prolonged periods ensure you take regular breaks.
- Impairment of hearing.
- Health hazards caused by breathing dust developed when using your tool (example:- working with wood, especially oak, beech and MDF.)

### Vibration

The declared vibration emission values stated in the technical data and the declaration of conformity have been measured in accordance with a standard test method provided by EN62841 and may be used for comparing one tool with another.

The declared vibration emission value may also be used in a preliminary assessment of exposure.



**Warning!** The vibration emission value during actual use of the power tool can differ from the declared value depending on the ways in which the tool is used. The vibration level may increase above the level stated.

When assessing vibration exposure to determine safety measures required by 2002/44/EC to protect persons regularly using power tools in employment, an estimation of vibration exposure should consider, the actual conditions of use and the way the tool is used, including taking account of all parts of the operating cycle such as the times when the tool is switched off and when it is running idle in addition to the trigger time.

### Labels on tool

The following symbols are shown on the tool along with the date code:



**Warning!** To reduce the risk of injury, the user must read the instruction manual.



Do not stare at operating lamp

### Additional safety instructions for batteries and chargers

#### Batteries

- Never attempt to open for any reason.
- Do not expose the battery to water.
- Do not expose the battery to heat.
- Do not store in locations where the temperature may exceed 40 °C.
- Charge only at ambient temperatures between 10 °C and 40 °C.
- Charge only using the charger provided with the appliance/tool.
- When disposing of batteries, follow the instructions given in the section "Protecting the environment".
- Do not damage/deform the battery pack either by puncture or impact, as this may create a risk of injury and fire.
- Do not charge damaged batteries.
- Under extreme conditions, battery leakage may occur. When you notice liquid on the batteries carefully wipe the liquid off using a cloth. Avoid skin contact.
- In case of skin or eye contact, follow the instructions below.



**Warning!** The battery fluid may cause personal injury or damage to property. In case of skin contact, immediately rinse with water. If redness, pain or irritation occurs seek medical attention.

In case of eye contact, rinse immediately with clean water and seek medical attention.

## Chargers

Your charger has been designed for a specific voltage. Always check that the mains voltage corresponds to the voltage on the rating plate.



**Warning!** Never attempt to replace the charger unit with a regular mains plug.

- Use your charger only to charge the battery in the tool with which it was supplied. Other batteries could burst, causing personal injury and damage.
- Never attempt to charge non-rechargeable batteries.
- If the supply cord is damaged, it must be replaced by the manufacturer or an authorised Service Centre in order to avoid a hazard.
- Have defective cords replaced immediately.
- Do not expose the charger to water.
- Do not open the charger.
- Do not probe the charger.
- The appliance/tool/battery must be placed in a well ventilated area when charging.



The charger is intended for indoor use only.

## Electrical safety



This charger is double insulated; therefore no earth wire is required. Always check that the power supply corresponds to the voltage on the rating plate.

If the supply cord is damaged, it must be replaced by the manufacturer or an authorised BLACK+DECKER Service Centre in order to avoid a hazard.

## Features

This appliance includes some or all of the following features.

1. Trigger Switch
2. Forward/Reverse Button
3. Torque Adjust Collar
4. Dual Range Gear Selector
5. Keyless Chuck
6. Battery
7. Battery Release Button
8. LED Work Light
9. Bit Tip Holder

## Use

**Warning!** Let the tool work at its own pace.

Do not overload.

## Charging the battery - Figure A

The battery needs to be charged before first use and whenever it fails to produce sufficient power on jobs that were easily done before. The battery may become warm while charging; this is normal and does not indicate a problem.

**Warning!** Do not charge the battery at ambient temperatures below 10 °C or above 40 °C. Recommended charging temperature: approx. 24 °C.

**Note: The charger will not charge a battery if the cell temperature is below approximately 10 °C or above 40 °C. The battery should be left in the charger and the charger will begin to charge automatically when the cell temperature warms up or cools down.**

- ◆ Plug the charger into any standard 230 Volts 50 Hz electrical outlet.
- ◆ Slide the battery pack into the charger as shown in fig. A.
- ◆ The green LED will flash indicating that the battery is being charged.
- ◆ The completion of charge is indicated by the green LED remaining on continuously. The pack is fully charged and may be used at this time or left on the charger.

**Warning!** fire Hazard. When disconnecting the charger from the tool, be sure to unplug the charger from the outlet first, then disconnect the charger cord from the tool.

## To install battery pack - Figure B

- ◆ Insert battery pack firmly into tool until an audible click is heard as shown in figure B. Ensure battery pack is fully seated and fully latched into position.

## To remove battery pack - Figure B insert

- ◆ Depress the battery release button (7) as shown in figure B1 and pull battery pack out of tool.

## Trigger switch & forward/reverse button - figure C

- ◆ The drill is turned ON and OFF by pulling and releasing the trigger switch (1) shown in figure C. The farther the trigger is depressed, the higher the speed of the drill.
- ◆ A forward/reverse control button (2) determines the rotational direction of the tool and also serves as a lock off button.
- ◆ To select forward rotation, release the trigger switch and depress the forward/reverse control button on the right side of the tool.
- ◆ To select reverse, depress the forward/reverse control button on the left side of the tool.
- ◆ The center position of the control button locks the tool in the off position. When changing the position of the control button, be sure the trigger is released.

### Adjusting torque control - figure D

This tool is fitted with a torque adjustment collar (3) to select the operating mode and to set the torque for tightening screws. Large screws and hard workpiece materials require a higher torque setting than small screws and soft workpiece materials.

- ◆ For drilling in wood, metal and plastics, set the collar to the drilling position symbol.
- ◆ For screwdriving, set the collar to the desired setting. If you do not yet know the appropriate setting, proceed as follows:
  - ◆ Set the collar to the lowest torque setting.
  - ◆ Tighten the first screw.
  - ◆ If the clutch ratchets before the desired result is achieved, increase the collar setting and continue tightening the screw.
  - ◆ Repeat until you reach the correct setting.
  - ◆ Use this setting for the remaining screws.

### Dual range switch - figure E

The dual range feature of your drill allows you to shift gears for greater versatility.

- ◆ To select low speed, high torque setting (position 1), turn tool off and permit to stop. Slide gear shifter button (4) away from the chuck.
- ◆ To select the high speed, low torque setting (position 2), turn tool off and permit to stop. Slide gear shifter button back toward the chuck.

**Note:** Do not change gears when tool is running. If you are having trouble changing gears, make sure that the dual range gear button is either completely pushed forward or completely pushed back.

### keyless chuck - figure F

**Warning!** Make certain the battery pack is removed to prevent tool actuation before installing or removing accessories.

To insert a drill bit or other accessory:

- ◆ Grasp the chuck (5) and rotate it in the counterclockwise direction, as viewed from the chuck end.
- ◆ Insert the bit or other accessory fully into the chuck, and tighten securely by rotating the chuck in the clockwise direction as viewed from the chuck end.

**Warning!** Do not attempt to tighten or loosen drill bits (or any other accessory) by gripping the front part of the chuck and turning the tool on. Damage to the chuck and personal injury may occur when changing accessories.

### Screw driving

- ◆ For driving fasteners, the forward/reverse button should be pushed to the left.
- ◆ Use reverse (button pushed to the right) for removing fasteners.

**Note:** When moving from forward to reverse, or vice versa, always release the trigger switch first.

### Drilling

- ◆ Use sharp drill bits only.
- ◆ Support and secure work properly, as instructed in the Safety Instructions.
- ◆ Use appropriate and required safety equipment, as instructed in the Safety Instructions.
- ◆ Secure and maintain work area, as instructed in the Safety Instructions.
- ◆ Run the drill very slowly, using light pressure, until the hole is started enough to keep the drill bit from slipping out of it.
- ◆ Apply pressure in a straight line with the bit. Use enough pressure to keep the bit biting but not so much as to stall the motor or deflect the bit.
- ◆ Hold the drill firmly with two hands, one hand on the handle, and the other gripping the bottom around the battery area or the auxiliary handle if provided.
- ◆ **DO NOT CLICK THE TRIGGER OF A STALLED DRILL OFF AND ON IN AN ATTEMPT TO START IT. DAMAGE TO THE DRILL CAN RESULT.**
- ◆ Minimize stalling on breakthrough by reducing pressure and slowly drilling through the last part of the hole.
- ◆ Keep the motor running while pulling the bit out of a drilled hole. This will help reduce jamming.
- ◆ Make sure switch turns drill on and off.

### Drilling in wood

Holes in wood can be made with the same twist drill bits used for metal or with spade bits. These bits should be sharp and should be pulled out frequently when drilling to clear chips from the flutes.

### Drilling in metal

Use a cutting lubricant when drilling metals. The exceptions are cast iron and brass which should be drilled dry. The cutting lubricants that work best are sulphurized cutting oil.

### LED work light

When drill is activated by pulling the trigger switch (1), the integrated LED work light (8) will automatically illuminate the work area.

**Note:** The work light is for lighting the immediate work surface and is not intended to be used as a flashlight.

### Bit tip storage

A bit storage slot (9) is built into the base of the tool.



## Troubleshooting

Problem	Possible cause	Possible solution
Unit will not start.	Battery pack not installed properly.  Battery pack not charged.	Check battery pack installation.  Check battery pack charging requirements
Unit starts immediately upon inserting battery	The switch has been left in the "on" position.	The switch must be moved to "off" to prevent the tool from immediately starting when battery is inserted.
Battery pack will not charge.	Battery pack not inserted into charger.  Charger not plugged in.  Surrounding air temperature too hot or too cold.	Insert battery pack into charger until LED lights.  Plug charger into a working outlet.  Move charger and battery pack to a surrounding air temperature of above 40 degrees F (45°C) or below 105 degrees F (+40.5°C)
Unit shuts off abruptly.	Battery pack has reached its maximum thermal limit.  Out of charge. (To maximize the life of the battery pack it is designed to shutoff abruptly when the charge is depleted)	Allow battery pack to cool down.  Place on charger and allow to charge.

## Maintenance

Your BLACK+DECKER tool has been designed to operate over a long period of time with a minimum of maintenance. Continuous satisfactory operation depends upon proper tool care and regular cleaning.

Your charger does not require any maintenance apart from regular cleaning.

**Warning!** Before performing any maintenance on the tool, remove the battery from the tool. Unplug the charger before cleaning it.

- ◆ Regularly clean the ventilation slots in your tool and charger using a soft brush or dry cloth.
- ◆ Regularly clean the motor housing using a damp cloth. Do not use any abrasive or solvent-based cleaner.
- ◆ Regularly open the chuck and tap it to remove any dust from the interior.

## Protecting the environment



Separate collection. Products and batteries marked with this symbol must not be disposed of with normal household waste.

Products and batteries contain materials that can be recovered or recycled reducing the demand for raw materials. Please recycle electrical products and batteries according to local provisions. Further information is available at [www.2helpU.com](http://www.2helpU.com)

## Technical data

BL186 H2		
<b>Voltage</b>	$V_{DC}$	18V
<b>No-load speed</b>	$Min^{-1}$	0-450 / 0-1800
<b>Max. torque</b>	Nm	52
<b>Chuck capacity</b>	mm	13
<b>Max Drilling capacity</b>		
<b>Steel/wood</b>	mm	13/35
<b>Weight</b>	kg	1.08 (1.46 with battery)

Charger	905902**	906349**
<b>Input voltage</b>	$V_{AC}$ 100- 240	220 - 240
<b>Output voltage</b>	$V_{DC}$ 8 - 20	8 - 20
<b>Current</b>	mA 400	1000
<b>Approx. charge time</b>	Hrs 4 - 10	1,5 - 4

Battery	BL1518	BL2018	BL4018
<b>Voltage</b>	$V_{DC}$ 18	18	18
<b>Capacity</b>	Ah 1.5	2.0	4.0
<b>Type</b>	Li-Ion	Li-Ion	Li-Ion

### Level of sound pressure according to EN 62841:

Sound pressure ( $L_{pA}$ ) 67 dB(A), uncertainty (K) 5 dB(A)

Sound power ( $L_{wA}$ ) 78 dB(A), uncertainty (K) 5 dB(A)

### Vibration total values (triax vector sum) according to EN 62841:

Drilling into metal ( $a_{h,D}$ ) 1.7  $m/s^2$ , uncertainty (K) 1.5  $m/s^2$

## Declaration of conformity The Supply of Machinery (Safety) Regulations 2008



BL186 - Drill

Black & Decker declares that these products described under "technical data" are in compliance with:

The Supply of Machinery (Safety) Regulations, 2008, S.I. 2008/1597 (as amended),  
EN62841-1:2015; EN62841-2-1:2018+A11:2019.

These products conform to the following UK Regulations:  
Electromagnetic Compatibility Regulations, 2016,  
S.I.2016/1091 (as amended).

The Restriction of the Use of Certain Hazardous Substances in Electrical and Electronic Equipment Regulations 2012, S.I. 2012/3032 (as amended).

For more information, please contact Black & Decker at the following address or refer to the back of the manual.

The undersigned is responsible for compilation of the technical file and makes this declaration on behalf of  
Black & Decker.



Ed Higgins  
Director - Consumer Power Tools  
Black and Decker UK, 270 Bath Road, Slough  
Berkshire, SL1 4DX  
United Kingdom  
30/11/2021

## EC declaration of conformity

MACHINERY DIRECTIVE



BL186 - Drill

Black & Decker declares that these products described under "technical data" are in compliance with:  
2006/42/EC, EN62841-1:2015, EN62841-2-1:2018+A11:2019,  
These products also comply with Directives 2014/30/EU and 2011/65/EU.

For more information, please contact Black & Decker at the following address or refer to the back of the manual.

The undersigned is responsible for compilation of the technical file and makes this declaration on behalf of  
Black & Decker.



Patrick Diepenbach  
General Manager, Benelux  
Black and Decker,  
Egide Walschaertsstraat 14-18  
2800 Mechelen, Belgium  
30/11/2021

## Guarantee

Black & Decker is confident of the quality of its products and offers consumers a 24 month guarantee from the date of purchase. This guarantee is in addition to and in no way prejudices your statutory rights. The guarantee is valid within the territories of the Member States of the European Union and the European Free Trade Area.

To claim on the guarantee, the claim must be in accordance with Black&Decker Terms and Conditions and you will need to submit proof of purchase to the seller or an authorised repair agent.

Terms and conditions of the Black&Decker 2 year guarantee and the location of your nearest authorised repair agent can be obtained on the Internet at [www.2helpU.com](http://www.2helpU.com), or by contacting your local Black & Decker office at the address indicated in this manual.

Please visit our website [www.blackanddecker.co.uk](http://www.blackanddecker.co.uk) to register your new Black & Decker product and receive updates on new products and special offers.

(Übersetzung der ursprünglichen Anweisungen)

**DEUTSCH**

## Verwendungszweck

Ihr BLACK+DECKER BL186 Akku-Bohrschrauber ist für Schraub- und Bohrarbeiten in Holz, Metall und Kunststoff ausgelegt. Dieses Gerät ist nicht für den gewerblichen Einsatz vorgesehen.

## Sicherheitshinweise

### Allgemeine Sicherheitswarnungen für das Gerät



**Warnung! Beachten Sie alle Sicherheitshinweise, Anweisungen, Darstellungen und Daten, die Sie mit dem Gerät erhalten.** Wenn Sie die folgenden Anweisungen nicht beachten, kann es zu elektrischem Schlag, Feuer und/oder schweren Verletzungen kommen.

**Bewahren Sie alle Warnhinweise und alle Anweisungen gut auf.** Der nachfolgend verwendete Begriff „Gerät“ oder „Elektrowerkzeug“ bezieht sich auf netzbetriebene Geräte (mit Netzkabel) und auf akkubetriebene Geräte (ohne Netzkabel).

### 1. Sicherheit im Arbeitsbereich

- a. **Halten Sie den Arbeitsbereich sauber und gut ausgeleuchtet.** Unaufgeräumte oder dunkle Bereiche begünstigen Unfälle.
- b. **Betreiben Sie Elektrowerkzeuge nicht in explosionsgefährdeten Umgebungen, in denen sich z. B. brennbare Flüssigkeiten, Gase oder Staub befinden.** Elektrowerkzeuge erzeugen Funken, die den Staub oder die Dämpfe entzünden können.
- c. **Halten Sie Kinder und Zuschauer fern, während Sie ein Elektrogerät betreiben.** Ablenkung kann dazu führen, dass Sie die Kontrolle über das Gerät verlieren.

### 2. Elektrische Sicherheit

- a. **Der Stecker des Elektrogerätes muss in die Steckdose passen. Ändern Sie niemals den Stecker in irgendeiner Form.**  
**Verwenden Sie keinerlei Adapterstecker an geerdeten Elektrogeräten.** Unveränderte Stecker und passende Steckdosen mindern die Gefahr eines elektrischen Schlages.

- b. **Vermeiden Sie Körperkontakt mit geerdeten Flächen, wie Rohre, Radiatoren, Herde und Kühlgeräte.** Es besteht eine erhöhte Gefahr für einen elektrischen Schlag, wenn Ihr Körper geerdet ist.
- c. **Setzen Sie Elektrogeräte keinem Regen oder feuchter Umgebung aus.** Wenn Wasser in das Elektrogerät eindringt, erhöht sich die Gefahr eines elektrischen Schlages.
- d. **Behandeln Sie das Kabel sorgfältig. Verwenden Sie es niemals zum Tragen. Trennen Sie das Gerät nicht durch Ziehen am Kabel vom Netz. Halten Sie das Kabel fern von Hitze, Öl, scharfen Kanten oder beweglichen Teilen.** Beschädigte oder verhedderte Kabel erhöhen die Gefahr eines elektrischen Schlages.
- e. **Wenn Sie ein Elektrogerät im Freien betreiben, verwenden Sie ein für den Außeneinsatz geeignetes Verlängerungskabel.** Die Verwendung von für den Außeneinsatz geeigneten Kabeln mindert die Gefahr eines elektrischen Schlages.
- f. **Wenn der Betrieb eines Elektrogerätes in feuchter Umgebung unumgänglich ist, verwenden Sie eine durch einen Fehlerstromschutzschalter (FI-Schalter oder RCD) geschützte Stromversorgung.** Der Einsatz eines Fehlerstromschutzschalters mindert die Gefahr eines elektrischen Schlages.
3. **Sicherheit von Personen**
- a. **Seien Sie aufmerksam, achten Sie darauf, was Sie tun, und gehen Sie mit Vernunft an die Arbeit mit einem Elektrowerkzeug. Benutzen Sie kein Gerät, wenn Sie müde sind oder unter dem Einfluss von Drogen, Alkohol oder Medikamenten stehen.** Ein Moment der Unachtsamkeit beim Betrieb eines Elektrogerätes kann zu schweren Verletzungen führen.
- b. **Tragen Sie persönliche Schutzausrüstung. Tragen Sie immer einen Augenschutz.** Das Tragen persönlicher Schutzausrüstung, wie Staubmaske, rutschfeste Sicherheitsschuhe, Schutzhelm oder Gehörschutz, je nach Art und Einsatz des Elektrowerkzeugs, verringert das Risiko von Verletzungen.
- c. **Vermeiden Sie unbeabsichtigtes Starten. Vergewissern Sie sich, dass das Gerät ausgeschaltet ist, bevor Sie es an eine Steckdose oder einen Akku anschließen, es hochheben oder tragen.** Wenn Sie beim Tragen des Elektrowerkzeugs den Finger am Schalter haben oder das Gerät eingeschaltet an die Stromversorgung anschließen, kann dies zu Unfällen führen.
- d. **Entfernen Sie alle Einstellschlüssel oder Werkzeuge, bevor Sie das Elektrogerät einschalten.** Werkzeuge oder Schlüssel, die an rotierenden Teilen des Elektrogerätes angebracht sind, können zu Verletzungen führen.
- e. **Vermeiden Sie eine anormale Körperhaltung. Sorgen Sie für einen sicheren Stand und halten Sie jederzeit das Gleichgewicht.** Dadurch können Sie das Elektrowerkzeug in unerwarteten Situationen besser kontrollieren.
- f. **Tragen Sie geeignete Kleidung. Tragen Sie keine weite Kleidung und keinen Schmuck. Halten Sie Ihre Haare, Kleidung und Handschuhe von beweglichen Teilen fern.** Lose sitzende Kleidung, Schmuck oder lange Haare können sich in den beweglichen Teilen verfangen.
- g. **Wenn Geräte für den Anschluss an eine Staubabsaugung und Staubsammlung vorgesehen sind, vergewissern Sie sich, dass diese richtig angeschlossen sind und verwendet werden.** Der Einsatz von Staubsaugern kann staubbedingte Gefahren mindern.
- h. **Vermeiden Sie, durch die häufige Nutzung des Werkzeugs in einen Trott zu verfallen und Prinzipien für die Werkzeugsicherheit zu ignorieren.** Eine unachtsame Aktion kann im Bruchteil einer Sekunde zu schweren Verletzungen führen.
4. **Gebrauch und Pflege von Geräten**
- a. **Überlasten Sie das Elektrogerät nicht. Verwenden Sie das für Ihre Arbeit passende Gerät.** Das richtige Gerät wird die Aufgabe besser und sicherer erledigen, wenn es bestimmungsgemäß verwendet wird.
- b. **Benutzen Sie kein Elektrowerkzeug, dessen Schalter defekt ist.** Ein Elektrowerkzeug, das sich nicht mehr ein- oder ausschalten lässt, ist gefährlich und muss repariert werden.
- c. **Trennen Sie den Stecker vom Netz und/oder, falls abnehmbar, den Akku vom Elektrogerät, bevor Sie Einstellungen am Gerät vornehmen, Zubehör wechseln oder es aufbewahren.** Diese Vorbeugemaßnahmen mindern die Gefahr, dass das Elektrogerät unbeabsichtigt startet. Diese Vorbeugemaßnahmen mindern die Gefahr, dass das Elektrogerät unbeabsichtigt startet.
- d. **Bewahren Sie nicht verwendete Elektrogeräte für Kinder unerreikbaar auf und lassen Sie nicht zu, dass Personen ohne Erfahrung mit dem Elektrogerät oder mit diesen Anweisungen das Elektrogerät bedienen.** Elektrogeräte sind in den Händen nicht geschulter Personen gefährlich.
- e. **Halten Sie das Gerät und sein Zubehör in einem einwandfreien Zustand. Kontrollieren Sie, ob bewegliche Teile falsch ausgerichtet sind oder klemmen und ob Teile gebrochen oder so beschädigt sind, dass die Funktion des Geräts beeinträchtigt ist. Bei Beschädigungen lassen Sie das Gerät reparieren, bevor Sie es verwenden.** Viele Unfälle entstehen wegen mangelnder Wartung der Elektrogeräte.

f. **Halten Sie Schneidwerkzeuge scharf und sauber.** Richtig gewartete Schneidwerkzeuge mit scharfen Klingen blockieren seltener und sind leichter unter Kontrolle zu halten.

g. **Verwenden Sie Elektrogeräte, Zubehör und Einsätze (Bits) usw. gemäß diesen Anweisungen und unter Berücksichtigung der Arbeitsbedingungen und der Aufgabe.**

Wenn Sie das Elektrogerät für Aufgaben verwenden, die nicht bestimmungsgemäß sind, kann dies zu gefährlichen Situationen führen.

h. **Halten Sie die Griffe trocken, sauber und frei von Öl und Fett.** Rutschige Griffe und Oberflächen unterbinden die sichere Bedienbarkeit und Kontrolle über das Werkzeug in unerwarteten Situationen.

5. **Gebrauch und Pflege von Akkuwerkzeugen (nur für Akkuwerkzeuge verwenden)**

a. **Laden Sie die Akkus nur in Ladegeräten auf, die vom Hersteller angegeben wurden.**

Für ein Ladegerät, das nur für eine bestimmte Akkuart geeignet ist, besteht Brandgefahr, wenn es mit anderen Akkus verwendet wird.

b. **Verwenden Sie nur die für das jeweilige Gerät vorgesehenen Akkus.** Die Verwendung anderer Akkus kann zu Verletzungen oder Bränden führen.

c. **Bewahren Sie den Akku bei Nichtbenutzung nicht in der Nähe metallischer Objekte wie Büroklammern, Münzen, Schlüsseln, Nägeln oder Schrauben auf, da diese eine Verbindung zwischen beiden Polen des Akkus herstellen können.** Durch den dadurch entstehenden Kurzschluss kann der Akku in Brand geraten.

d. **Bei falscher Anwendung kann Flüssigkeit aus dem Akku austreten. Vermeiden Sie den Kontakt damit. Bei unbeabsichtigtem Kontakt mit Wasser abspülen. Gelangt die Flüssigkeit in die Augen, ziehen Sie außerdem ärztliche Hilfe hinzu.** Austretende Akkuflüssigkeit kann zu Hautreizungen oder Verbrennungen führen.

e. **Verwenden Sie keine Akkus oder Werkzeuge, die beschädigt sind oder modifiziert wurden.** Beschädigte oder modifizierte Akkus können sich unvorhersehbar verhalten und stellen ein Risiko von Feuer, Explosionen oder Verletzungen dar.

f. **Setzen Sie Akkus und Werkzeuge keinem Feuer oder extremen Temperaturen aus.** Die Einwirkung von Feuer oder Temperaturen über 130°C kann zu Explosionen führen. HINWEIS: Die Temperaturangabe „130 °C“ kann durch die Temperaturangabe „265 °F“ ersetzt werden.

g. **Befolgen Sie alle Anweisungen zum Aufladen und laden Sie den Akku oder das Werkzeug nicht jenseits des in der Anleitung angegebenen Temperaturbereichs auf.** Das falsche Aufladen oder das Aufladen bei Temperaturen jenseits des angegebenen Bereichs kann den Akku beschädigen und das Brandrisiko erhöhen.

6. **Service**

a. **Lassen Sie Ihr Elektrowerkzeug nur von qualifiziertem Fachpersonal und nur mit Original- Ersatzteilen reparieren.** Damit wird sichergestellt, dass die Sicherheit des Gerätes erhalten bleibt.

b. **Führen Sie an beschädigten Akkus niemals Wartungsarbeiten durch.** Die Wartung von Akkus darf nur vom Hersteller oder von autorisierten Dienstleistern durchgeführt werden (nur für Akkuwerkzeuge verwenden).

**Sicherheitsvorschriften für alle Betriebsarten**

- **Tragen Sie bei der Arbeit mit einem Schlagbohrer einen Gehörschutz.** Lärm kann Gehörschäden verursachen.
- **Halten Sie das Gerät an den isolierten Griffflächen fest, wenn Sie Arbeiten ausführen, bei denen verdeckte Kabel durch das Schneidwerkzeug oder das Befestigungsmittel beschädigt werden könnten.** Der Kontakt des Schneidwerkzeugs oder des Befestigungsmittels mit stromführenden Leitungen kann auch offenliegende Metallteile am Gerät unter Strom setzen und zu einem Stromschlag führen.

**Sicherheitshinweise bei Verwendung langer Bohrerbits**

- **Niemals mit einer höheren Drehzahl als der maximalen Drehzahl des Bohrers arbeiten.** Bei höheren Drehzahlen kann sich der Bohrer leicht verbiegen, wenn er sich frei drehen kann, ohne das Werkstück zu berühren, was zu Verletzungen führen kann.
- **Beginnen Sie beim Bohren immer mit niedriger Drehzahl und so, dass die Bohrer Spitze in Kontakt mit dem Werkstück ist.** Bei höheren Drehzahlen kann sich der Bohrer leicht verbiegen, wenn er sich frei drehen kann, ohne das Werkstück zu berühren, was zu Verletzungen führen kann.
- **Üben Sie Druck nur in direkter Linie mit dem Bohrerbit aus und üben Sie keinen übermäßigen Druck aus.** Bits können sich verbiegen, was zu einem Bruch oder Kontrollverlust und dadurch zu Verletzungen führen kann.

**Zusätzliche Sicherheitshinweise für Bohrer/ Schrauber/ Bohrhammer**

- **Sichern Sie das Werkstück zum Beispiel mit Einspannvorrichtungen auf einer stabilen Plattform.**

Das Werkstück ist instabil, wenn es mit der Hand oder dem Körper abgestützt wird, was zum Verlust der Kontrolle führen kann.

- Zubehör und Werkzeug können während des Betriebs heiß werden. Tragen Sie beim Umgang damit Handschuhe, wenn wärmeerzeugende Anwendungen wie Bohren in Metall durchgeführt werden.
- Luftöffnungen decken häufig bewegliche Teile ab und sollten freigehalten werden. Lose sitzende Kleidung, Schmuck oder lange Haare können sich in den beweglichen Teilen verfangen.
- Tragen Sie eine Schutzbrille oder anderen Augenschutz. Beim Hämmern- und Bohrbetrieb werden Späne in die Luft befördert. Fliegende Partikel können zu Augenverletzungen führen.
- Tragen Sie bei der Arbeit mit einem Schlagbohrer einen Gehörschutz. Lärm kann Gehörschäden verursachen.
- Benutzen Sie die mit dem Werkzeug gelieferten Zusatzgriffe. Der Verlust der Kontrolle kann Verletzungen verursachen.
- Betreiben Sie dieses Werkzeug nicht über lange Zeiträume. Durch das Werkzeug verursachte Vibrationen können für Ihre Hände und Arme schädlich sein. Tragen Sie Handschuhe als zusätzlichen Dämpfer und legen Sie häufig Pausen ein, um den Schwingungen nicht zu lange Zeit ausgesetzt zu sein.

### Sicherheit anderer Personen

- Dieses Gerät darf von Kindern ab 8 Jahren und Personen mit eingeschränkten körperlichen, sensorischen oder geistigen Fähigkeiten sowie mangelnder Erfahrung und Wissen in Bezug auf dessen Gebrauch bedient werden, wenn sie bei der Verwendung des Geräts beaufsichtigt oder angeleitet werden und die möglichen Gefahren verstehen.
- Kinder dürfen nicht mit dem Gerät spielen. Reinigung und Wartungsarbeiten dürfen von Kindern nur unter Aufsicht durchgeführt werden.

### Restrisiken

Beim Gebrauch dieses Geräts verbleiben zusätzliche Restrisiken, die möglicherweise nicht in den Sicherheitswarnungen genannt werden. Diese Risiken bestehen beispielsweise bei Missbrauch oder längerem Gebrauch.

Auch bei der Einhaltung der entsprechenden Sicherheitsvorschriften und der Verwendung aller Sicherheitsgeräte bestehen weiterhin bestimmte Restrisiken. Diese sind:

- Verletzungen, die durch das Berühren von sich drehenden/bewegenden Teilen verursacht werden.
- Verletzungen, die durch das Austauschen von Teilen, Sägeblättern oder Zubehör verursacht werden.

- Verletzungen, die durch längeren Gebrauch eines Geräts verursacht werden. Legen Sie bei längerem Gebrauch regelmäßige Pausen ein.
- Schwerhörigkeit.
- Gesundheitsrisiken durch das Einatmen von Staub bei Verwendung des Geräts (z. B. bei Holzarbeiten, insbesondere Eiche, Buche und Pressspan).

### Vibration

Die in den Abschnitten "Technische Daten" und "EU-Konformitätserklärung" angegebenen Werte für die Vibrationsemission wurden mit einer Standard-Prüfmethode nach EN62841 ermittelt und können zum Vergleich verschiedener Geräte herangezogen werden.

Außerdem kann mit Hilfe dieses Werts die Belastung bei Verwendung des Geräts schon im Voraus eingeschätzt werden.



**Warnung!** Die bei Verwendung des Geräts auftretende Vibrationsemission hängt von der Art des Gerätegebrauchs ab und kann dementsprechend von dem angegebenen Wert abweichen. Gegebenenfalls kann die Vibration über dem angegebenen Wert liegen.

Für die Ermittlung der Vibrationsbelastung müssen die tatsächlichen Einsatzbedingungen und Verwendungen des Geräts während des gesamten Arbeitsgangs berücksichtigt werden, einschließlich der Zeiten, wenn das Gerät nicht verwendet oder im Leerlauf betrieben wird. Diese Werte werden benötigt, um die gemäß 2002/44/EG erforderlichen Sicherheitsmaßnahmen zum Schutz von Personen festlegen zu können.

### Etiketten am Werkzeug

Am Gerät sind die folgenden Warnsymbole inkl. Datumscode angebracht:



**Warnung!** Lesen Sie vor Gebrauch die Anleitung. Andernfalls besteht Verletzungsgefahr.



Blicken Sie nicht in die eingeschaltete Leuchte

### Zusätzliche Sicherheitshinweise für Akkus und Ladegeräte

#### Akkus

- Keinesfalls versuchen, den Akku zu öffnen.
- Achten Sie darauf, dass der Akku nicht mit Wasser in Berührung kommt.
- Setzen Sie den Akku keinen hohen Temperaturen aus.
- Nicht bei Temperaturen über 40 °C lagern.
- Laden Sie den Akku ausschließlich bei Umgebungstemperaturen zwischen 10 °C und 40 °C.

- Verwenden Sie ausschließlich das mit dem Gerät gelieferte Ladegerät.
- Beachten Sie bei der Entsorgung von Batterien und Akkus die Hinweise im Abschnitt "Umweltschutz".
- Der Akku darf nicht durch mechanische Krafteinwirkung oder Belastungen beschädigt oder verformt werden. Andernfalls besteht Verletzungs- und Brandgefahr.
- Laden Sie beschädigte Akkus nicht auf.
- Unter extremen Bedingungen können Akkus undicht werden. Wenn Sie feststellen, dass aus dem Akku Flüssigkeit austritt, wischen Sie diese vorsichtig mit einem Tuch ab. Vermeiden Sie Hautkontakt.
- Beachten Sie nach Haut- oder Augenkontakt die folgenden Hinweise.



**Warnung!** Batteriesäure kann Sach- oder Personenschäden verursachen. Spülen Sie die Säure bei Hautkontakt sofort mit Wasser ab. Suchen Sie einen Arzt auf, wenn sich auf der Haut Rötungen, Reizungen oder andere Irritationen zeigen. Spülen Sie das Auge nach Augenkontakt sofort mit sauberem Wasser aus, und suchen Sie einen Arzt auf.

### Ladegeräte

Das Ladegerät ist für eine bestimmte Spannung ausgelegt. Stellen Sie sicher, dass die Netzspannung der auf dem Typenschild des Geräts angegebenen Spannung entspricht.



**Warnung!** Ersetzen Sie das Ladegerät keinesfalls durch ein normales Netzkabel.

- Verwenden Sie das Ladegerät nur für den Akku des Werkzeugs, mit dem es geliefert wurde. Andere Akkus können platzen und Sachschäden oder Verletzungen verursachen.
- Versuchen Sie keinesfalls, nicht aufladbare Batterien zu laden.
- Ist das Netzkabel beschädigt, muss es durch den Hersteller oder eine Vertragswerkstatt ausgetauscht werden, um eine mögliche Gefährdung zu vermeiden.
- Lassen Sie beschädigte Kabel sofort austauschen.
- Achten Sie darauf, dass das Ladegerät nicht mit Wasser in Berührung kommt.
- Versuchen Sie nicht, das Ladegerät zu öffnen.
- Nehmen Sie am Ladegerät keine Veränderungen vor.
- Beim Laden des Geräts/Akkus muss auf ausreichende Belüftung geachtet werden.



Das Ladegerät darf nur im Innenbereich verwendet werden.

### Elektrische Sicherheit



Das Ladegerät ist schutzisoliert, daher ist keine Erdleitung erforderlich. Überprüfen Sie immer, dass die Stromversorgung der Spannung auf dem Typenschild entspricht.

Bei einer Beschädigung des Netzkabels muss dieses durch den Hersteller oder eine BLACK+DECKER Vertragswerkstatt ausgetauscht werden, um mögliche Gefahren zu vermeiden.

### Merkmale

Dieses Gerät verfügt über einige oder alle der folgenden Merkmale.

1. Auslöseschalter
2. Rechts-/Links-Schalter
3. Drehmomentvorwahl
4. Zweigangtriebewähler
5. Schnellspannfutter
6. Akku
7. Akku-Löseknopf
8. LED-Arbeitsleuchte
9. Einsatzspitzenhalter

### Verwendung

**Warnung!** Beschleunigen Sie den Arbeitsvorgang nicht mit Gewalt.

Vermeiden Sie eine Überlastung.

### Laden des Akkus - Abbildung A

Der Akku muss vor der erstmaligen Benutzung sowie immer dann aufgeladen werden, wenn das Gerät nicht mehr mit voller Leistung arbeitet. Der Akku kann sich während des Aufladens erwärmen. Das ist normal und deutet nicht auf ein Problem hin.

**Warnung!** Laden Sie den Akku nicht, wenn die Umgebungstemperatur unter 10 °C oder über 40 °C liegt. Empfohlene Ladetemperatur: ca. 24 °C.

**Hinweis: Ein Akku, bei dem die Temperatur der Akkuzellen unter ca. 10 °C oder über 40 °C liegt, wird vom Ladegerät nicht geladen.**

**Lassen Sie in diesem Fall den Akku im Ladegerät. Das Ladegerät beginnt automatisch mit dem Ladevorgang, sobald sich die Zellen erwärmt bzw. abgekühlt haben.**

- ◆ Stecken Sie das Ladegerät in eine Standardsteckdose mit 230 Volt, 50 Hz.
- ◆ Schieben Sie den Akku wie in Abb. A gezeigt in das Ladegerät ein.
- ◆ Die grüne LED blinkt, wenn der Akku geladen wird.
- ◆ Der Abschluss des Ladevorgangs wird dadurch angezeigt, dass die grüne LED dauerhaft leuchtet. Der Akku ist vollständig aufgeladen und kann jetzt verwendet oder in der Ladestation gelassen werden.

**Warnung!** Brandgefahr. Wenn Sie das Ladegerät vom Werkzeug trennen, müssen Sie das Ladegerät zuerst aus der Steckdose ziehen und dann das Kabel des Ladegeräts vom Werkzeug trennen.

### Anbringen des Akkus - Abbildung B

- ◆ Setzen Sie das Akkupack fest in das Werkzeug ein, bis ein Signalton zu hören ist; siehe Abbildung B. Stellen Sie sicher, dass der Akku vollständig sitzt und in Position eingerastet ist.

### Entfernen des Akkus - Abbildung B Einfügung

- ◆ Drücken Sie den Akku-Löseknopf (7) wie in Abbildung B1 gezeigt und ziehen Sie den Akku aus dem Werkzeug.

### Auslöseschalter & Rechts-/Links-Schalter - Abbildung C

- ◆ Der Bohrer wird durch Ziehen und Loslassen des Auslöseschalters (1), der in Abbildung C gezeigt wird, EIN und AUS geschaltet. Je tiefer er eingedrückt wird, desto höher wird die Drehzahl der Bohrmaschine.
- ◆ Der Vor/Zurück-Schaltknopf (2) bestimmt die Drehrichtung und fungiert zudem als Einschaltperre.
- ◆ Für Rechtsdrehung (vorwärts) lassen Sie den Auslöseschalter los und drücken Sie den Drehrichtungsknopf an der rechten Seite des Werkzeugs.
- ◆ Für Linksdrehung (rückwärts) lassen Sie den Drückerschalter los und drücken Sie den Drehrichtungsknopf an der linken Seite des Werkzeugs.
- ◆ In der mittleren Stellung des Reglers ist das Werkzeug in der AUS-Stellung verriegelt. Achten Sie darauf, dass der Auslöseschalter entriegelt ist, wenn Sie diesen Regler verstellen.

### Einstellen der Drehmomentregelung - Abbildung D

Dieses Gerät verfügt über eine Drehmomentvorwahl (3) zur Auswahl des Betriebsmodus und des Drehmoments zum Festziehen von Schrauben. Für große Schrauben und härtere Werkstücke muss ein größeres Drehmoment eingestellt werden als für kleine Schrauben und weiche Werkstücke.

- ◆ Um Bohrungen in Holz, Metall oder Kunststoff vorzunehmen, stellen Sie an der Drehmomentvorwahl das Symbol zum Bohren ein.
- ◆ Zum Ausführen von Schraubarbeiten stellen Sie an der Drehmomentvorwahl den gewünschten Wert ein. Sollten Ihnen die jeweils erforderlichen Einstellungen noch nicht bekannt sein, gehen Sie wie folgt vor:
  - ◆ Stellen Sie das niedrigste Drehmoment ein.
  - ◆ Ziehen Sie die erste Schraube fest.
  - ◆ Wenn die Einstellung nicht zum gewünschten Ergebnis führt, erhöhen Sie die Drehmomenteinstellung und fahren Sie fort.

- ◆ Wiederholen Sie diesen Vorgang so lange, bis Sie die richtige Einstellung gefunden haben.
- ◆ Verwenden Sie diese Einstellung auch für die übrigen Schrauben.

### Zweiganggetriebeschalter - Abbildung E

Das Zweiganggetriebe an Ihrem Bohrer ermöglicht den Gangwechsel für eine größere Anpassungsfähigkeit.

- ◆ Zur Auswahl der niedrigen Geschwindigkeit mit hohem Drehmoment (Position 1) schalten Sie das Gerät aus und lassen es auslaufen. Schieben Sie den Gangschalterknopf (4) zurück, d.h. vom Spannfutter weg.
- ◆ Zur Auswahl der hohen Geschwindigkeit mit niedrigem Drehmoment (Position 2) schalten Sie das Gerät aus und lassen es auslaufen. Schieben Sie den Gangschalterknopf wieder nach vorne zum Spannfutter.

**Hinweis:** Ändern Sie nicht den Gang, während das Gerät sich dreht. Bei Problemen beim Gangwechsel prüfen Sie, dass der Zweiganggetriebewähler entweder komplett nach vorne oder hinten geschoben ist.

### Schnellspannfutter - Abbildung F

**Warnung!** Der Akku muss entfernt worden sein, damit keine unbeabsichtigte Bedienung des Geräts vor dem Installieren bzw. Entfernen von Zubehörteilen erfolgen kann.

So setzen Sie einen Bohreinsatz oder ein anderes Zubehörteil ein:

- ◆ Umfassen Sie das Bohrfutter (5) und drehen Sie es gegen den Uhrzeigersinn (vom Ende des Bohrfutters aus gesehen).
- ◆ Setzen Sie den Bohreinsatz oder ein anderes Zubehörteil ordnungsgemäß in das Bohrfutter ein, und ziehen Sie das Bohrfutter durch Drehen im Uhrzeigersinn (mit Blickrichtung vom Bohrfutter) wieder fest.

**Warnung!** Versuchen Sie nicht, Bohrvorsätze (oder anderes Zubehör) einzusetzen, indem Sie das Spannfutter vorne fassen und das Gerät einschalten. Dabei kann das Spannfutter beschädigt werden und es kann zu schweren Verletzungen kommen.

### Festziehen von Schrauben

- ◆ Zum Festziehen von Befestigungsmitteln muss der Rechts-/Links-Schalter nach links geschoben sein.
- ◆ Verwenden Sie zum Entfernen von Befestigungsmitteln den Links-Schalter (Schalter nach rechts geschoben).

**Hinweis:** Wenn Sie die Drehrichtung von Rechts nach Links oder umgekehrt ändern wollen, immer zuerst den Auslöseschalter lösen.

### Bohren

- ◆ Verwenden Sie nur scharfe Bohrerbits.
- ◆ Unterstützen und sichern Sie Werkstücke angemessen, wie in den Sicherheitshinweisen beschrieben.

- ◆ Verwenden Sie die richtige und erforderliche Sicherheitsausrüstung, wie in den Sicherheitshinweisen beschrieben.
- ◆ Sichern Sie den Arbeitsbereich und halten Sie ihn aufräumt, wie in den Sicherheitshinweisen beschrieben.
- ◆ Lassen Sie den Bohrer sehr langsam und nur mit leichtem Druck laufen, bis das Loch groß genug ist, dass der Bohreinsatz nicht mehr herausrutschen kann.
- ◆ Üben Sie nur parallel zum Bohreinsatz Druck aus. Der ausgeübte Druck darf nicht größer sein als für den Bohrvorgang erforderlich. Bei zu hohem Druck blockiert der Motor oder der Bohreinsatz wird beschädigt.
- ◆ Halten Sie den Bohrer mit beiden Händen fest; dabei sollte eine Hand auf dem Griff und die andere am Unterteil um den Akkubereich oder, falls vorhanden, am Zusatzhandgriff liegen.
- ◆ **WENN DER BOHRER BLOCKIERT IST, VERSUCHEN SIE NICHT, IHN DURCH WIEDERHOLTES BETÄTIGEN DES EIN-/AUSSCHALTERS WIEDER ZUM LAUFEN ZU BRINGEN. DER BOHREINSATZ KANN DADURCH BESCHÄDIGT WERDEN.**
- ◆ Verringern Sie im letzten Teil des Bohrlochs den Druck und die Geschwindigkeit, um ein Blockieren beim Durchbohren zu vermeiden.
- ◆ Lassen Sie den Motor an, während Sie den Bohrer aus einem gebohrten Loch ziehen. Dadurch wird verhindert, dass der Bohreinsatz einklemmt.
- ◆ Stellen Sie sicher, dass sich der Bohrer über den Schalter ein- und ausschalten lässt.

**In Holz bohren**

Holz kann entweder mit denselben Spiralbohreinsätzen bearbeitet werden, die auch für Metall verwendet werden, oder mit Spitzbohrern. Die Bohreinsätze sollten spitz sein und regelmäßig entnommen werden, um das Gerät von Spänen zu säubern.

**In Metall bohren**

Verwenden Sie beim Bohren in Metall ein Schneidöl. Ausnahmen sind Gusseisen und Messing, die trocken gebohrt werden müssen. Der beste Schmierstoff ist schwefelhaltiges Schneidöl.

**LED-Arbeitsleuchte**

Wenn der Bohrer wird durch Ziehen des Auslöseschalters (1) aktiviert wurde, beleuchtet die integrierte LED-Arbeitsleuchte (8) automatisch den Arbeitsbereich.

**Hinweis:** Die Arbeitsleuchte soll die unmittelbare Arbeitsfläche ausleuchten und ist nicht dazu bestimmt, als Taschenlampe zu fungieren.

**Aufbewahrung von Einsatzspitzen**

In die Basis des Geräts ist ein Aufbewahrungsfach für Einsatzätze (9) integriert.

**Fehlerbehebung**

Problem	Mögliche Ursache	Mögliche Lösung
Gerät startet nicht.	Akku wurde nicht ordnungsgemäß angebracht. Akku nicht geladen.	Prüfen Sie, ob der Akku richtig angebracht wurde. Prüfen Sie die erforderliche Ladekapazität.
Gerät läuft sofort nach dem Einsetzen des Akkus an	Der Schalter wurde in der Position „Ein“ gelassen.	Der Schalter muss in die Position „Aus“ gestellt werden, damit das Gerät nicht sofort anläuft, wenn der Akku eingesetzt wird.
Akku lädt nicht.	Akku befindet sich nicht im Ladegerät. Das Ladegerät ist nicht mit dem Stromnetz verbunden. Umgebungstemperatur zu hoch oder zu niedrig.	Führen Sie den Akku in das Ladegerät ein, bis die LED leuchtet. Stecken Sie den Stecker des Ladegeräts in eine aktive Steckdose. Bringen Sie das Ladegerät und den Akku an einen Ort, der eine Umgebungstemperatur von über 4,5°C und unter +40,5°C aufweist.
Das Gerät schaltet sich unerwartet aus.	Der Akku hat seine thermische Belastungsgrenze erreicht. Akku ist entladen. Um die Lebensdauer des Akkus zu maximieren, wurde er so konzipiert, dass er sich sofort abschaltet, wenn die Ladung aufgebraucht ist.	Lassen Sie den Akku abkühlen. Bringen Sie ihn am Ladegerät an, so dass er aufgeladen wird.

**Wartung**

Ihr BLACK+DECKER Gerät wurde im Hinblick auf eine lange Lebensdauer und einen möglichst geringen Wartungsaufwand entwickelt. Ein kontinuierlicher, zufriedenstellender Betrieb hängt von der richtigen Pflege des Gerätes und seiner regelmäßigen Reinigung ab.

Das Ladegerät benötigt keine Wartung, es sollte jedoch regelmäßig gereinigt werden.

**Warnung!** Entfernen Sie vor jeglichen Wartungsarbeiten am Gerät den Akku aus dem Gerät. Ziehen Sie das Ladegerät aus der Netzsteckdose, bevor Sie es reinigen.

- ◆ Reinigen Sie regelmäßig die Lüftungsschlitze des Geräts und des Ladegeräts mit einer weichen Bürste oder einem trockenen Tuch.
- ◆ Reinigen Sie das Motorgehäuse regelmäßig mit einem feuchten Tuch.  
Verwenden Sie keine scheuernden Reinigungsmittel oder Reinigungsmittel auf Lösungsmittelbasis.



- ◆ Öffnen Sie regelmäßig das Bohrfutter, und entfernen Sie durch Klopfen Staub aus dem Inneren des Geräts.

## Umweltschutz



Getrennte Entsorgung. Produkte und Akkus mit diesem Symbol dürfen nicht mit dem normalen Hausmüll entsorgt werden.

Produkte und Akkus enthalten Materialien, die wiederverwertet werden können, um den Bedarf an Rohstoffen zu verringern. Bitte recyceln Sie elektrische Produkte und Akkus gemäß den örtlichen Bestimmungen. Weitere Informationen finden Sie auf [www.2helpU.com](http://www.2helpU.com)

## Technische Daten

BL186 H2		
Spannung	V <sub>DC</sub>	18V
Leerlaufdrehzahl	Min <sup>-1</sup>	0-450 / 0-1800
Max. Drehmoment	Nm	52
Bohrfutterspannweite	mm	13
Maximale Bohrtiefe		
Stahl/Holz	mm	13/35
Gewicht	kg	1,08 (1,46 mit Akku)

Ladegerät	905902**	906349**
Eingangsspannung	V <sub>AC</sub> 100 - 240	220 - 240
Ausgangsspannung	V <sub>DC</sub> 8 - 20	8 - 20
Stromstärke	mA 400	1000
Ungefähre Ladezeit	Std. 4 - 10	1,5 - 4

Akku	BL1518	BL2018	BL4018
Spannung	V <sub>DC</sub> 18	18	18
Kapazität	Ah 1,5	2,0	4,0
Typ	Li-Ionen	Li-Ionen	Li-Ionen

Schalldruckpegel gemäß EN 62841:
Schalldruck (L <sub>pa</sub> ) 67 dB(A), Unsicherheitsfaktor (K) 5 dB(A)
Schallleistung (L <sub>wa</sub> ) 78 dB(A), Unsicherheitsfaktor (K) 5 dB(A)

Gesamtvibration (Triax-Vektorsumme) gemäß EN 62841:
Metallbohren (a <sub>h,D</sub> ) 1.7 m/s <sup>2</sup> , Unsicherheitsfaktor (K) 1,5 m/s <sup>2</sup>

## EU-Konformitätserklärung

MASCHINENRICHTLINIE



BL186 - Bohrmaschine

Black & Decker erklärt, dass die in den „Technischen Daten“ beschriebenen Geräte übereinstimmen mit:

2006/42/EC, EN62841-1:2015, EN62841-2-1:2018+A11:2019,

Diese Produkte entsprechen auch den Richtlinien 2014/30/EU und 2011/65/EU.

Weitere Informationen erhalten Sie von Black & Decker unter der folgenden Adresse. Diese befindet sich auch auf der Rückseite dieser Anleitung.

Der Unterzeichnete ist verantwortlich für die Zusammenstellung der technischen Daten und gibt diese Erklärung im Namen von Black & Decker ab.

*Patrick Diepenbach*

Patrick Diepenbach  
General Manager, Benelux  
Black and Decker,  
Egide Walschaertsstraat 14-18  
2800 Mechelen, Belgien  
30.11.2021

## Garantie

Black & Decker vertraut auf die Qualität der eigenen Geräte und bietet dem Käufer eine außergewöhnliche Garantie von 24 Monaten ab Kaufdatum. Diese Garantie versteht sich unbeschadet der gesetzlichen Gewährleistungsansprüche und schränkt diese keinesfalls ein. Diese Garantie gilt innerhalb der Staatsgebiete der Mitgliedstaaten der Europäischen Union und der Europäischen Freihandelszone.

Zur Inanspruchnahme dieser Garantie muss sie den allgemeinen Geschäftsbedingungen von Black + Decker entsprechen und dem Verkäufer bzw. der Vertragswerkstatt ist ein Kaufnachweis vorzulegen.

Die Bedingungen für die 2-jährige Garantie von Black&Decker und den Standort Ihrer nächstgelegenen Vertragswerkstatt finden Sie im Internet unter [www.2helpU.com](http://www.2helpU.com) oder indem Sie sich an die lokale Black&Decker-Niederlassung wenden, deren Adresse Sie in dieser Anleitung finden.

Ihr neues Black & Decker Produkt können Sie auf unserer Website unter [www.blackanddecker.de](http://www.blackanddecker.de) registrieren. Dort erhalten Sie auch Informationen über neue Produkte und Sonderangebote.

## Utilisation prévue

Votre perceuse BLACK+DECKER BL186 a été conçue pour visser et pour percer le bois, le métal et le plastique. Cet outil est destiné à un usage grand public uniquement.

## Consignes de sécurité

### Avertissements liés à la sécurité générale propres aux outils électriques



**Avertissement !** Veuillez à lire tous les avertissements sur la sécurité, toutes les instructions, toutes les illustrations et toutes les spécifications fournies avec cet outil électrique.

Le non-respect de toutes les instructions listées ci-dessous peut conduire à des décharges électriques, des incendies et/ou de graves blessures.

**Conservez tous les avertissements et toutes les instructions afin de pouvoir vous y référer dans le futur.** Le terme "outil électrique" mentionné dans tous les avertissements listés ci-dessous fait référence à vos outils électriques branchés sur secteur (avec câble) ou fonctionnant sur pile ou batterie (sans fil).

#### 1. Sécurité de la zone de travail

- a. **Gardez la zone de travail propre et bien éclairée.** Les zones sombres ou encombrées sont propices aux accidents.
- b. **N'utilisez pas d'outils électriques dans un environnement présentant des risques d'explosion ou en présence de liquides, gaz ou poussières inflammables.** Les outils électriques créent des étincelles qui peuvent enflammer les poussières et les fumées.
- c. **Maintenez les enfants et les personnes à proximité éloignés lorsque les outils électriques sont en marche.** Toute distraction peut vous faire perdre le contrôle de l'outil.

#### 2. Sécurité électrique

- a. **Les prises des outils électriques doivent correspondre à la prise de courant murale. Ne modifiez jamais la prise d'aucune sorte. N'utilisez aucun adaptateur avec des outils électriques reliés à la terre.** L'utilisation de prises d'origine et de prises murales appropriées permet de réduire le risque de décharge électrique.
- b. **Évitez tout contact physique avec des surfaces reliées à la terre comme des tuyaux, des radiateurs, des fours et des réfrigérateurs par exemple.** Le risque de décharge électrique augmente si votre corps est relié à la terre.

- c. **N'exposez pas les outils électriques à la pluie, ni à l'humidité.** Le risque de décharge électrique augmente si de l'eau pénètre dans un outil électrique.
- d. **Ne tirez pas sur le cordon d'alimentation. N'utilisez jamais le cordon pour transporter, tirer ou débrancher l'outil électrique. Maintenez le cordon à l'écart de la chaleur, des substances grasses, des bords tranchants ou des pièces mobiles.** Les cordons endommagés ou emmêlés augmentent le risque de décharge électrique.
- e. **Si vous utilisez un outil électrique à l'extérieur, utilisez une rallonge homologuée pour les travaux extérieurs.** L'utilisation d'une rallonge électrique homologuée pour les travaux en extérieur réduit le risque de décharge électrique.
- f. **Si l'utilisation d'un outil électrique dans un endroit humide est inévitable, utilisez une alimentation électrique protégée par un disjoncteur différentiel à courant résiduel (DDR).** L'utilisation d'un DDR réduit le risque de décharge électrique.

#### 3. Sécurité des personnes

- a. **Restez vigilant, surveillez ce que vous faites et faites preuve de bon sens lorsque vous utilisez un outil électrique.**  
**N'utilisez pas d'outils électriques si vous êtes fatigué ou sous l'influence de drogue, d'alcool ou de médicaments.** Tout moment d'inattention pendant l'utilisation d'un outil électrique peut engendrer de graves blessures.
- b. **Portez des équipements de protection individuelle. Portez toujours une protection oculaire.** Les équipements de protection comme les masques anti-poussière, les chaussures de sécurité antidérapantes, les casques ou les protections auditives utilisés à bon escient réduisent le risque de blessures.
- c. **Empêchez le démarrage non intentionnel. Assurez-vous que l'interrupteur est en position Arrêt avant de raccorder l'outil à l'alimentation électrique et/ou au bloc-batterie ou avant de ramasser ou de transporter l'outil.** Le fait de transporter les outils électriques le doigt sur l'interrupteur ou d'alimenter les outils électriques dont l'interrupteur est déjà en position Marche augmente les accidents.
- d. **Retirez toutes les clés ou pinces de réglage avant de mettre l'outil en marche.** Une clé ou une pince restée fixée sur une pièce rotative de l'outil électrique peut entraîner des blessures.
- e. **Ne vous penchez pas. Gardez les pieds bien ancrés au sol et conservez votre équilibre en permanence.** Cela permet de mieux maîtriser l'outil électrique en cas de situations imprévues.

- f. **Portez des vêtements appropriés. Ne portez aucuns vêtements amples, ni bijoux. Gardez vos cheveux, vos vêtements et vos gants loin des pièces mobiles.** Les vêtements amples, les bijoux ou les cheveux longs peuvent être happés par les pièces mobiles.
- g. **Si vous disposez de dispositifs pour l'extraction et la récupération des poussières, veillez à ce qu'ils soient correctement raccordés et utilisés.** L'utilisation de dispositifs récupérateurs de poussière réduit les risques liés aux poussières.
- h. **Ne pensez pas être à ce point familiarisé avec l'outil après l'avoir utilisé à de nombreuses reprises, au point de ne plus rester vigilant et d'en oublier les consignes de sécurité.** Toute action imprudente peut entraîner de graves blessures en une fraction de seconde.
4. **Utiliser et entretenir un outil électrique**
- a. **Ne sur-sollicitez pas l'outil électrique. Utilisez un outil approprié, adapté au travail à réaliser.**  
Un outil adapté fonctionne mieux, de façon plus sûre et à la cadence pour laquelle il a été conçu.
- b. **N'utilisez pas l'outil électrique si l'interrupteur ne permet plus de le mettre en marche et de l'éteindre.** Tout appareil électrique qui ne peut plus être commandé par son interrupteur est dangereux et il doit être réparé.
- c. **Débranchez la prise de l'outil électrique de la source d'alimentation électrique et/ou retirez-en le bloc-batterie s'il est amovible, avant d'effectuer tout réglage, de changer un accessoire ou de ranger l'outil électrique.** Ces mesures de sécurité préventives réduisent le risque de démarrage accidentel de l'outil électrique.
- d. **Rangez les outils électriques non utilisés hors de portée des enfants et ne laissez aucune personne ne connaissant pas ces outils ou leurs instructions d'utilisation les faire fonctionner.** Les outils électriques peuvent être dangereux entre des mains inexpérimentées.
- e. **Veillez à bien entretenir vos outils électriques et leurs accessoires. Vérifiez que les pièces mobiles sont alignées correctement et qu'elles ne sont pas coincées. Vérifiez qu'aucune pièce n'est cassée et contrôlez l'absence de toute autre condition qui pourrait nuire au bon fonctionnement de l'outil. En cas de dommage, faites réparer l'outil électrique avant de le réutiliser.** De nombreux accidents sont provoqués par des outils électriques mal entretenus.
- f. **Maintenez les outils de coupe affûtés et propres.** Des organes de coupe bien entretenus dont le tranchant est affûté sont moins susceptibles de rester coincés et sont plus faciles à maîtriser.
- g. **Utilisez l'outil électrique, les accessoires et les embouts d'outils conformément à ces instructions, en tenant compte des conditions de travail et de la tâche à effectuer.**
- L'utilisation d'un outil électrique à d'autres fins que celles pour lesquelles il a été prévu peut entraîner des situations dangereuses.
- h. **Maintenez toutes les poignées et surfaces de préhension sèches, propres et exemptes d'huile et de graisse.** Des poignées et des surfaces de préhension glissantes ne permettent pas de manipuler et de contrôler l'outil correctement en cas de situations inattendues.
5. **Utiliser et entretenir un outil fonctionnant sur batterie (ne concerne que les outils fonctionnant sur batterie)**
- a. **N'effectuez la recharge qu'à l'aide du chargeur spécifié par le fabricant.**  
Un chargeur adapté pour un type de bloc-batterie peut créer un risque d'incendie s'il est utilisé avec un bloc-batterie différent.
- b. **N'utilisez l'outil électrique qu'avec les blocs-batteries spécifiquement prévus.** L'utilisation d'un autre bloc-batterie peut créer un risque de blessures et d'incendie.
- c. **Quand le bloc-batterie n'est pas utilisé, éloignez-le des objets métalliques comme les trombones, les pièces, les clés, les clous, les vis ou les autres petits objets qui pourraient créer un contact entre les deux bornes.** La mise en court-circuit des bornes d'une batterie peut provoquer des brûlures ou un incendie.
- d. **Dans des conditions extrêmes, du liquide peut être éjecté de la batterie. Évitez tout contact. En cas de contact accidentel, rincez à l'eau. En cas de contact avec les yeux, consultez en plus un médecin.** Le liquide sortant de la batterie peut provoquer des irritations ou des brûlures.
- e. **N'utilisez jamais un bloc-batterie ou un outil qui est endommagé ou qui a été modifié.** Les batteries endommagées ou modifiées peuvent avoir un comportement imprévisible qui peut conduire à un incendie, une explosion ou à un risque de blessure.
- f. **N'exposez pas le bloc-batterie ou l'outil au feu ou à des températures excessives.** L'exposition au feu ou à des températures dépassant 130 °C peut provoquer une explosion. REMARQUE : La température "130 °C" peut être remplacée par la température "265 °F".
- g. **Respectez toutes les instructions liées à la charge et ne rechargez pas le bloc-batterie ou l'outil en dehors de la plage de températures spécifiée dans les instructions.** Une charge mal effectuée ou à des températures hors de la plage spécifiée peut endommager le bloc-batterie et augmenter le risque d'incendie.

## 6. Révision/Réparation

- a. **Faites réviser/réparer votre outil électrique par une personne qualifiée, n'utilisant que des pièces de rechange d'origine.** Cela permet de garantir la sûreté de l'outil électrique.
- b. **Ne réparez jamais un bloc-batterie endommagé.** Les réparations sur les blocs-batteries ne doivent être effectuées que par le fabricant ou l'un de ses prestataires de services agréés (ne concerne que les outils fonctionnant sur batterie).

## Consignes de sécurité pour toutes les opérations

- **Portez des protections auditives pour le perçage à percussion.** L'exposition au bruit peut provoquer la perte de l'ouïe.
- **Tenez l'outil électrique par ses surfaces de préhension isolées lorsque vous l'utilisez dans des endroits où l'accessoire de coupe ou la fixation peut entrer en contact avec des fils cachés.** Tout contact de l'accessoire de coupe ou de la fixation avec un fil sous tension peut mettre les parties métalliques exposées de l'outil électrique sous tension et provoquer une décharge électrique à l'utilisateur.

## Consignes de sécurité pour l'utilisation de mèches longues

- **Ne les utilisez jamais à une vitesse supérieure à leur vitesse nominale maximum.** À grande vitesse, la mèche peut plier si elle tourne dans le vide, sans être en contact avec l'ouvrage et des blessures sont possibles.
- **Commencez toujours à percer à faible vitesse alors que la pointe de la mèche est en contact avec l'ouvrage.** À grande vitesse, la mèche peut plier si elle tourne dans le vide, sans être en contact avec l'ouvrage et des blessures sont possibles.
- **N'exercez qu'une faible pression, toujours perpendiculaire à la mèche.** Les mèches peuvent plier et casser et occasionner une perte de contrôle et des blessures.

## Avertissements de sécurité supplémentaires propres aux perceuses/visseuses et aux marteaux perforateurs

- Utilisez des pinces ou tout autre moyen pratique pour fixer et soutenir l'ouvrage sur une plateforme stable. Tenir l'ouvrage à la main ou contre votre corps le rend instable et peut conduire à une perte de contrôle.
- Les accessoires et les outils peuvent devenir chauds pendant l'utilisation. Portez des gants pour les manipuler lorsque vous réalisez des opérations qui produisent de la chaleur comme le perçage du métal par exemple.

- Les événements d'aération recouvrent souvent les pièces mobiles et doivent être évités. Les vêtements amples, les bijoux ou les cheveux longs peuvent être happés par les pièces mobiles.
- Portez des lunettes de protection ou une autre protection oculaire. Les opérations de perçage et de percage à percussion peuvent projeter des éclats. Les particules projetées peuvent occasionner des lésions oculaires permanentes.
- Portez des protections auditives pour le perçage à percussion. L'exposition au bruit peut provoquer la perte de l'ouïe.
- Utilisez la/les poignée(s) auxiliaire(s), fournie(s) avec l'outil. La perte de contrôle peut provoquer des blessures.
- N'utilisez pas cet outil de façon prolongée. Les vibrations engendrées par l'outil peuvent être nocives pour les mains et les bras. Utilisez des gants pour les amortir et limitez l'exposition en faisant régulièrement des pauses.

## Sécurité des personnes

- Cet appareil peut être utilisé par des enfants âgés de 8 ans ou plus et par des personnes aux capacités physiques, mentales ou sensorielles déficientes ou qui manquent d'expérience ou de connaissance s'ils sont supervisés ou ont été formés sur l'utilisation sûre de l'appareil et qu'ils sont conscients des risques potentiels.
- Ne laissez pas les enfants jouer avec l'appareil. Le nettoyage et les opérations de maintenance à réaliser par l'utilisateur ne doivent pas être exécutés par des enfants sans surveillance.

## Risques résiduels

Certains risques résiduels autres que ceux mentionnés dans les avertissements sur la sécurité peuvent survenir en utilisant l'outil. Ces risques peuvent être dus à une utilisation incorrecte, une utilisation prolongée, etc. Malgré le respect de toutes les réglementations pertinentes sur la sécurité et la mise en œuvre de dispositifs de sécurité, certains risques résiduels ne peuvent pas être évités. Ils comprennent :

- Les blessures dues au contact avec des pièces mobiles/ en rotation.
- Les blessures dues au changement de pièces, de lame ou d'accessoires.
- Les blessures dues à l'utilisation prolongée d'un outil. Lorsque vous utilisez un outil quel qu'il soit pendant de longues périodes, veillez à faire des pauses régulières.
- Les troubles de l'ouïe.
- Les risques pour la santé dus à l'inhalation de poussières produites pendant l'utilisation de l'outil (exemple : travail avec du bois, surtout le chêne, le hêtre et les panneaux en MDF).

## Vibrations

La valeur des émissions de vibrations déclarée dans les caractéristiques techniques et la déclaration de conformité a été mesurée conformément à la méthode de test normalisée établie par la norme EN62841 et elle peut être utilisée pour comparer un outil à un autre.

La valeur des vibrations émises déclarée peut aussi être utilisée pour une évaluation préliminaire à l'exposition.



**Attention !** En fonction de la manière dont l'outil est utilisé, la valeur réelle des vibrations émises pendant son utilisation peut différer de la valeur déclarée. Le niveau des vibrations peut dépasser le niveau déclaré.

Quand l'exposition aux vibrations est évaluée afin de déterminer les mesures de sécurité requises par la norme 2002/44/CE pour protéger les personnes utilisant régulièrement des outils électriques, l'estimation de l'exposition aux vibrations doit tenir compte des conditions réelles d'utilisation et de la façon dont l'outil est utilisé. Il faut également tenir compte de toutes les composantes du cycle de fonctionnement comme les durées pendant lesquelles l'outil est arrêté et quand il fonctionne au ralenti, ainsi que la durée du déclenchement.

## Étiquettes apposées sur l'outil

Les symboles suivant figurent sur l'outil avec le code date :



**Attention !** Afin de réduire le risque de blessures, l'utilisateur doit lire le manuel d'utilisation.



Ne regardez pas directement la lampe allumée

## Consignes de sécurité supplémentaires propres aux batteries et aux chargeurs

### Batteries

- Ne tentez de les ouvrir sous aucun prétexte.
- N'exposez pas la batterie à l'eau.
- N'exposez pas la batterie à la chaleur.
- Ne la rangez pas dans des endroits où la température peut dépasser 40 °C.
- Ne procédez à la charge qu'à une température ambiante comprise entre 10 °C et 40 °C.
- Ne procédez à la charge qu'avec le chargeur fourni avec l'appareil/outil.
- Au moment de jeter les batteries, respectez les instructions mentionnées à la section "Protection de l'environnement".
- Ne déformez/n'endommagez pas le bloc-batterie en le perçant ou en le cognant, ceci pourrait entraîner des blessures et un incendie.
- Ne rechargez pas des batteries endommagées.

- Dans des conditions extrêmes, une batterie peut fuir. Si vous détectez une fuite, utilisez un chiffon pour essuyer le liquide avec précaution. Évitez tout contact avec la peau.
- En cas de contact avec la peau ou les yeux, suivez les instructions ci-dessous.



**Attention !** Le liquide de la batterie peut provoquer des blessures ou des dégâts matériels. En cas de contact avec la peau, rincez immédiatement à l'eau. Si des rougeurs, une douleur ou une irritation se produisent, consultez un médecin. En cas de contact avec les yeux, rincez immédiatement à l'eau et consultez un médecin.

### Chargeurs

Votre chargeur a été conçu pour une tension spécifique. Vérifiez toujours que la tension du réseau électrique correspond à la tension mentionnée sur la plaque signalétique.



**Attention !** N'essayez jamais de remplacer le module de charge par une prise de courant ordinaire.

- N'utilisez votre chargeur que pour recharger la batterie fournie avec l'outil. Les autres batteries pourraient exploser et entraîner des blessures et des dommages.
- Ne tentez jamais de recharger des piles non rechargeables.
- Si le câble d'alimentation est endommagé, il doit être remplacé par le fabricant ou par un centre d'assistance agréé afin d'éviter les risques éventuels.
- Faites immédiatement remplacer les cordons endommagés.
- N'exposez pas le chargeur à l'eau.
- N'ouvrez pas le chargeur.
- Ne sondez pas le chargeur.
- Pendant la charge, placez l'appareil/l'outil/la batterie dans un endroit correctement aéré.



Le chargeur est conçu pour être exclusivement utilisé à l'intérieur.

### Sécurité électrique



Ce chargeur est doublement isolé et il ne nécessite donc aucune liaison à la terre. Veillez toujours à ce que l'alimentation électrique corresponde à la tension mentionnée sur la plaque signalétique.

Si le câble d'alimentation est endommagé, il doit être remplacé par le fabricant ou par un centre d'assistance agréé BLACK+DECKER afin d'éviter tout accident.

### Caractéristiques

Cet appareil présente tout ou partie des caractéristiques suivantes.

1. Interrupteur à gâchette
2. Bouton Marche avant/Marche arrière
3. Bague de réglage du couple
4. Sélecteur de vitesse à double plage
5. Mandrin sans clé
6. Batterie
7. Bouton de libération de la batterie
8. Éclairage de travail à LED
9. Porte-embout

## Utilisation

**Avertissement !** Laissez l'outil fonctionner à son propre rythme.

Ne le poussez pas au-delà de sa capacité.

## Rechargement de la batterie - Figure A

La batterie doit être rechargée avant la première utilisation et chaque fois qu'elle n'apporte plus assez de puissance pour les travaux réalisés sans peine auparavant. La batterie peut chauffer pendant la charge. Ce phénomène est normal et n'indique pas un problème.

**Avertissement !** Ne rechargez pas la batterie à une température ambiante inférieure à 10 °C ou supérieure à 40 °C. La température recommandée est d'environ 24 °C.

**Remarque : Le chargeur ne recharge pas la batterie si la température de la cellule est inférieure à environ 10 °C ou supérieure à 40 °C.**

**La batterie doit rester dans le chargeur et le chargeur commence automatiquement la charge dès que la température de la cellule remonte ou redescend.**

- ◆ Branchez le chargeur dans une prise de courant standard 230 Volts 50 Hz.
- ◆ Glissez le bloc-batterie dans le chargeur, comme illustré par la figure A.
- ◆ Le voyant vert clignote pour indiquer que la batterie est en charge.
- ◆ La fin de la charge est indiquée par le voyant vert restant allumé de façon fixe. Le bloc est alors complètement rechargé et il peut soit être utilisé, soit être laissé dans le chargeur.

**Avertissement !** Risque d'incendie. En débranchant le chargeur de l'outil, assurez-vous de d'abord le débrancher de la prise murale avant de retirer le cordon du chargeur de l'outil.

## Pour installer le bloc-batterie - figure B

- ◆ Insérez fermement le bloc-batterie dans l'outil jusqu'à entendre un clic, comme illustré par la figure B. Assurez-vous que le bloc-batterie est bien en place et parfaitement verrouillé.

## Pour retirer le bloc-batterie - insert de la figure B

- ◆ Appuyez sur le bouton de libération de la batterie (7) comme illustré par la figure B1 et tirez sur le bloc-batterie pour le sortir de l'outil.

## Interrupteur à gâchette et bouton Marche avant/ Marche arrière - figure C

- ◆ La perceuse est mise en marche et éteinte en enfonçant puis en relâchant l'interrupteur à gâchette (1) illustré par la figure C. Plus la gâchette est enfoncée, plus la vitesse de la perceuse est rapide.
- ◆ Un bouton de sélection du sens de rotation (2) sert à choisir le sens de rotation de l'outil mais il sert aussi de bouton de verrouillage.
- ◆ Pour sélectionner le sens de rotation avant, relâchez l'interrupteur à gâchette et enfoncez le bouton de sélection du sens de rotation sur le côté droit de l'outil.
- ◆ Pour sélectionner le sens de rotation arrière, appuyez sur le bouton de sélection du sens de rotation sur le côté gauche de l'outil.
- ◆ La position centrale du bouton de sélection permet de verrouiller l'outil à l'arrêt. Avant de changer la position du bouton de sélection, veillez à bien relâcher la gâchette.

## Réglage du contrôle du couple - figure D

Cet outil est équipé d'une bague de réglage du couple (3) qui permet de sélectionner le mode de fonctionnement et de définir le couple pour le serrage des vis. Les grandes vis et les matières dures nécessitent un couple de serrage plus élevé que les petites vis et les matières tendres.

- ◆ Pour percer le bois, le métal et le plastique, placez la bague sur le symbole de la position Perçage.
- ◆ Pour visser, positionnez la bague sur le réglage voulu. Si vous ne savez pas quel réglage choisir, procédez comme suit :
  - ◆ Réglez la bague au couple le plus bas.
  - ◆ Vissez la première vis.
  - ◆ Si l'embrayage cliquette avant d'avoir atteint le résultat voulu, augmentez le couple à l'aide de la bague et continuez le serrage de la vis.
  - ◆ Répétez l'opération jusqu'à avoir atteint le bon réglage.
  - ◆ Utilisez ce réglage pour les vis restantes.

## Interrupteur à double plage - figure E

Le système de transmission à double plage de votre perceuse vous permet de changer de vitesse pour plus de polyvalence.

- ◆ Pour sélectionner la vitesse lente avec un couple élevé (position 1), éteignez l'outil et attendez qu'il s'arrête. Faites glisser le sélecteur de vitesse vers l'arrière (4) loin du mandrin.
- ◆ Pour sélectionner la vitesse rapide avec un couple faible (position 2), éteignez l'outil et attendez qu'il s'arrête. Rapprochez le sélecteur de vitesse du mandrin.

**Remarque :** Ne changez pas de vitesse lorsque l'outil est en marche. En cas de problème pour changer de vitesse, assurez-vous que le sélecteur de vitesse est bien complètement poussé vers l'avant ou vers l'arrière.

## Mandrin sans clé - figure F

**Avertissement !** Avant d'installer ou de retirer des accessoires, assurez-vous que le bloc-batterie est retiré afin d'éviter l'activation de l'outil.

Pour insérer une mèche ou un autre accessoire :

- ◆ Tenez le mandrin (5) et tournez-le dans le sens inverse des aiguilles d'une montre, vu depuis l'extrémité du mandrin.
- ◆ Insérez complètement la mèche ou l'accessoire dans le mandrin et serrez ce dernier parfaitement en le tournant dans le sens des aiguilles d'une montre, vu depuis l'extrémité du mandrin.

**Avertissement !** Ne tentez pas de serrer ou de desserrer des mèches (ou tout autre accessoire) en saisissant la partie avant du mandrin et en mettant l'outil en marche. Cela pourrait endommager le mandrin et provoquer des blessures.

## Serrage de vis

- ◆ Pour installer des fixations, le bouton de sélection du sens de rotation doit être poussé vers la gauche.
- ◆ Utilisez le sens inverse (bouton poussé vers la droite) pour dévisser les fixations.

**Remarque :** Relâchez toujours la gâchette avant de passer de la marche avant à la marche arrière et vice versa.

## Percer

- ◆ N'utilisez que des mèches bien affûtées.
- ◆ Soutenez et fixez l'ouvrage correctement, comme indiqué dans les consignes de sécurité.
- ◆ Utilisez les équipements de protection nécessaires appropriés, tels que mentionnés dans les consignes de sécurité.
- ◆ Sécurisez et entretenez la zone de travail correctement, comme indiqué dans les consignes de sécurité.
- ◆ Commencez par utiliser la perceuse très lentement, en appuyant que très légèrement, jusqu'à ce que le trou soit suffisamment formé pour que la mèche n'en sorte plus.
- ◆ Appliquez une pression perpendiculaire sur la mèche. Exercez suffisamment de pression pour que la mèche avance, mais ne poussez pas de manière excessive afin d'éviter que le moteur ne cale ou que la mèche ne dévie.
- ◆ Tenez fermement la perceuse à deux mains, une main sur la poignée et l'autre main autour de la zone de la batterie ou de la poignée auxiliaire, le cas échéant.
- ◆ **N'ACTIONNEZ PAS LA GÂCHETTE D'UNE PERCEUSE QUI A CALÉ POUR TENTER DE LA DÉMARRER. VOUS POURRIEZ ENDOMMAGER LA PERCEUSE.**
- ◆ Évitez les calages pendant le perçage en n'appuyant que très peu sur l'outil et en perçant plus lentement la dernière partie du trou.
- ◆ Laissez le moteur tourner en sortant la mèche du trou. Cela permet d'éviter qu'elle se coince.

- ◆ Assurez-vous que l'interrupteur permet bien de mettre en marche et d'éteindre la perceuse.

## Percer du bois

Le bois peut être percé avec les mêmes mèches hélicoïdales utilisées pour le métal ou avec des mèches plates. Ces mèches doivent être aiguisées et fréquemment sorties du trou pendant le perçage afin de supprimer les copeaux des cannelures.

## Percer du métal

Utilisez un lubrifiant de coupe pour percer les métaux. La fonte et le laiton doivent en revanche être percés à sec. Les lubrifiants de coupe les plus appropriés sont à base d'huile sulfurée.

## Éclairage de travail à LED

Lorsque la perceuse est activée en appuyant sur l'interrupteur à gâchette (1), l'éclairage de travail à LED (8) éclaire automatiquement la zone de travail.

**Remarque :** L'éclairage de travail sert à éclairer la surface de travail immédiate et elle ne doit pas être utilisée comme lampe torche.

## Compartment pour mèches et embouts

Un compartiment pour ranger les mèches et les embouts (9) se trouve à la base de l'outil.

## Dépannage

Problème	Cause possible	Solution possible
La machine ne démarre pas.	Le bloc-batterie n'est pas bien installé.  Le bloc-batterie n'est pas rechargé.	Contrôlez la bonne installation du bloc-batterie.  Vérifiez si bloc-batterie a besoin d'être rechargé
L'appareil démarre immédiatement après l'insertion de la batterie	L'interrupteur a été laissé en position "Marche".	L'interrupteur doit être positionné sur "Arrêt" pour éviter que l'outil ne démarre immédiatement quand la batterie est installée.
Le bloc-batterie ne se recharge pas.	Le bloc-batterie n'est pas installé dans le chargeur.  Le chargeur n'est pas branché.  La température ambiante est trop chaude ou trop froide.	Insérez le bloc-batterie dans le chargeur jusqu'à ce que la LED s'allume.  Branchez le chargeur dans une prise murale qui fonctionne.  Déplacez le chargeur et le bloc-batterie dans un endroit où la température ambiante est supérieure à 40°F (4,5°C) ou inférieure à 105°F (+40,5°C)

Problème	Cause possible	Solution possible
La machine s'éteint brusquement.	Le bloc-batterie a atteint sa limite thermique maximum.  Déchargé. (Afin de maximiser la durée de vie du bloc-batterie, il est conçu pour s'arrêter brusquement lorsque la batterie est déchargée).	Laissez le bloc-batterie refroidir.  Placez-le dans le chargeur et laissez-le se recharger.

## Maintenance

Votre outil BLACK+DECKER a été conçu pour fonctionner longtemps avec un minimum d'entretien. Le fonctionnement continu et satisfaisant de l'outil dépend de son bon entretien et de son nettoyage régulier.

Votre chargeur ne nécessite aucun entretien particulier, à l'exception d'un nettoyage régulier.

**Avertissement !** Avant de réaliser toute tâche de maintenance sur l'outil, retirez la batterie. Débranchez le chargeur avant de le nettoyer.

- ◆ Nettoyez régulièrement les orifices d'aération de l'outil et du chargeur à l'aide d'une brosse souple ou d'un chiffon sec.
- ◆ Nettoyez régulièrement le bloc-moteur à l'aide d'un chiffon humide.  
N'utilisez pas de détergents abrasifs ou à base de solvants.
- ◆ Ouvrez régulièrement le mandrin et tapotez dessus pour éliminer la poussière accumulée à l'intérieur.

## Protection de l'environnement



Tri sélectif. Les produits et piles/batteries marqués de ce symbole ne doivent pas être jetés avec les déchets ménagers.

Les produits et les piles/batteries contiennent des matières qui peuvent être récupérées et recyclées afin de réduire la demande en matières premières.

Veillez à recycler les produits électriques et les piles/batteries conformément aux prescriptions locales en vigueur. Pour plus d'informations, consultez le site [www.2helpU.com](http://www.2helpU.com)

## Caractéristiques techniques

BL186 H2		
Tension	V <sub>cc</sub>	18V
Vitesse à vide	Min <sup>-1</sup>	0-450 / 0-1800
Couple maxi	Nm	52
Capacité du mandrin	mm	13
Capacité de perçage maxi		
Acier/Bois	mm	13/35

BL186 H2		
Poids	kg	1,08 (1,46 avec la batterie)

Chargeur	905902**	906349**
Tension d'entrée	V <sub>ca</sub> 100-240	220 - 240
Tension de sortie	V <sub>cc</sub> 8 - 20	8 - 20
Courant	mA 400	1000
Durée de charge approx.	Heures 4 - 10	1,5 - 4

Batterie	BL1518	BL2018	BL4018
Tension	V <sub>cc</sub> 18	18	18
Capacité	Ah 1,5	2,0	4,0
Type	Li-Ion	Li-Ion	Li-Ion

Niveau de pression sonore selon la norme EN 62841 :
Pression sonore (L <sub>pa</sub> ) 67 dB(A), incertitude (K) 5 dB(A)
Puissance sonore (L <sub>wa</sub> ) 78 dB(A), incertitude (K) 5 dB(A)

Valeurs totales des vibrations (somme vectorielle triaxiale) selon la norme EN 62841 :
Perçage du métal (a <sub>h, D</sub> ) 1,7 m/s <sup>2</sup> , incertitude (K) 1,5 m/s <sup>2</sup>

## Déclaration de conformité CE

DIRECTIVES MACHINES



BL186 - Perceuse

Black & Decker déclare que les produits décrits dans les "Caractéristiques techniques" sont conformes aux normes : 2006/42/CE, EN62841-1:2015, EN62841-2-1:2018+A11:2019,

Ces produits sont également conformes aux Directives 2014/30/UE et 2011/65/UE.

Pour plus de précisions, veuillez contacter Black & Decker à l'adresse qui suit ou consulter la dernière page du présent manuel.

Le soussigné est responsable de la compilation du dossier technique il fait cette déclaration au nom de Black & Decker.

*Patrick Diepenbach*

Patrick Diepenbach  
General Manager, Benelux  
Black and Decker,  
Egide Walschaertsstraat 14-18  
2800 Mechelen, Belgium  
30/11/2021

## Garantie

Black & Decker est sûr de la qualité de ses produits et offre une garantie de 24 mois à ses clients, à partir de la date d'achat.



Cette garantie s'ajoute à vos droits légaux auxquels elle ne porte aucunement préjudice. Cette garantie est valable au sein des territoires des états membres de l'Union européenne et au sein de la zone européenne de libre-échange.

Pour prétendre à la garantie, la réclamation doit être conforme aux conditions générales de Black & Decker et vous devez fournir une preuve d'achat au vendeur ou au réparateur agréé. Les conditions générales de la garantie de 2 ans Black&Decker ainsi que l'adresse du réparateur agréé le plus proche sont disponibles sur le site Internet [www.2helpU.com](http://www.2helpU.com) ou en contactant votre agence Black & Decker locale à l'adresse indiquée dans ce manuel.

Veuillez consulter notre site Internet [www.blackanddecker.co.uk](http://www.blackanddecker.co.uk) pour enregistrer votre nouveau produit Black & Decker et pour être tenu informé des nouveautés et des offres spéciales.

### Uso previsto

Il trapano/avvitatore BLACK+DECKER BL186 è stato progettato per avvitare e per trapanare legno, metallo e plastica. Questo attrezzo è destinato esclusivamente all'uso privato.

### Istruzioni di sicurezza

#### Avvertenze di sicurezza generali per gli elettrotensili



**Avvertenza! Leggere attentamente tutte le avvertenze, istruzioni, illustrazioni e specifiche fornite con l'elettrotensile.** La mancata osservanza delle istruzioni seguenti può dar luogo a scossa elettrica, incendio e/o lesioni personali gravi.

**Conservare tutte le avvertenze e le istruzioni per riferimenti futuri.** Il termine "elettrotensile" utilizzato in tutte le avvertenze elencate di seguito fa riferimento sia agli utensili elettrici alimentati tramite una rete elettrica (con cavo) che agli utensili elettrici a batteria (senza cavo).

#### 1. Sicurezza dell'area di lavoro

- Tenere pulita e ben illuminata l'area di lavoro.** Gli ambienti disordinati o scarsamente illuminati favoriscono gli incidenti.
- Evitare di impiegare gli elettrotensili in ambienti esposti al rischio di esplosione, come ad esempio in presenza di liquidi, gas o polveri infiammabili.** Gli elettrotensili generano scintille che possono incendiare polveri o fumi.
- Durante l'uso di un elettrotensile, tenere lontani i bambini e le altre persone presenti nelle vicinanze.** Eventuali distrazioni possono provocare la perdita di controllo.

#### 2. Sicurezza elettrica

- Le spine elettriche degli elettrotensili devono essere adatte alla presa di corrente. Non modificare la spina in alcun modo.**  
**Non utilizzare spine con adattatore con un elettrotensile dotato di messa a terra.** Per ridurre il rischio di scossa elettrica evitare di modificare le spine e utilizzare sempre le prese di corrente appropriate.
- Evitare il contatto con superfici collegate a terra, quali tubature, termosifoni, fornelli e frigoriferi.** Se il corpo dell'utilizzatore è collegato a terra, il rischio di scosse elettriche aumenta.
- Custodire gli elettrotensili al riparo dalla pioggia o dall'umidità.** Se dovesse penetrare dell'acqua all'interno dell'elettrotensile, il rischio di scossa elettrica aumenta.
- Non utilizzare il cavo di alimentazione in modo improprio. Non spostare, tirare o scollegare mai l'elettrotensile dalla presa di corrente tirandolo dal cavo di alimentazione. Tenere il cavo di alimentazione lontano da fonti di calore, olio, bordi taglienti o parti in movimento.** Se il cavo di alimentazione è danneggiato o impigliato, il rischio di scosse elettriche aumenta.
- Se l'elettrotensile viene adoperato all'aperto, usare esclusivamente prolunghie omologate per l'impiego all'esterno.** L'uso di un cavo di alimentazione idoneo per esterni riduce il rischio di scossa elettrica.
- Se non è possibile evitare di lavorare in una zona umida, collegarsi a una rete elettrica protetta da un interruttore differenziale salvavita (RCD).** L'uso di un RCD salvavita riduce il rischio di scosse elettriche.

#### 3. Sicurezza personale

- È importante concentrarsi su ciò che si sta facendo e maneggiare con giudizio l'elettrotensile.** Non utilizzare l'elettrotensile quando si è stanchi o sotto l'effetto di sostanze stupefacenti, alcool o medicinali. Un solo attimo di distrazione durante l'uso dell'elettrotensile potrebbe provocare gravi lesioni personali.
- Usare dispositivi di protezione individuale. Indossare sempre occhiali di sicurezza.** L'impiego di dispositivi di protezione individuale, quali maschere antipolvere, scarpe antinfortunistiche antiscivolo, elmetti di sicurezza o protezioni per l'udito, nelle condizioni opportune, consente di ridurre le lesioni personali.
- Prevenire l'avvio accidentale. Accertarsi che l'interruttore sia nella posizione di spegnimento, prima di collegare l'elettrotensile alla rete elettrica e/o alla batteria, di prenderlo in mano o di trasportarlo.** Per non esporsi al rischio di incidenti, non trasportare l'elettrotensile tenendo le dita sull'interruttore e non collegarlo a una fonte di alimentazione elettrica con l'interruttore in posizione di accensione.

- d. **Prima di accendere un elettrotensile, rimuovere eventuali chiavi o attrezzi di regolazione.** Un utensile di regolazione o una chiave fissati a una parte rotante dell'elettrotensile possono provocare lesioni personali.
- e. **Non sporgersi troppo. Mantenere sempre un appoggio e un equilibrio adeguati.** In tal modo è possibile avere una maggiore padronanza dell'elettrotensile in situazioni impreviste.
- f. **Indossare indumenti adeguati. Non indossare abiti larghi o gioielli. Tenere i capelli, gli indumenti e i guanti lontano dalle parti mobili.** Abiti larghi, gioielli o capelli lunghi possono impigliarsi nelle parti in movimento.
- g. **Se gli elettrotensili sono provvisti di attacchi per il collegamento di dispositivi di aspirazione o di raccolta delle polveri, assicurarsi che questi siano installati e utilizzati correttamente.** L'impiego di dispositivi per la raccolta delle polveri può ridurre i pericoli legati a queste ultime.
- h. **Non lasciare che la familiarità acquisita dall'uso frequente degli elettrotensili induca a cedere alla tentazione di ignorare i principi di utilizzo sicuro degli stessi.** Un'azione imprudente potrebbe provocare lesioni personali gravi in una frazione di secondo.
- 4. Uso e cura dell'elettrotensile**
- a. **Non forzare l'elettrotensile. Utilizzare l'elettrotensile adatto al lavoro da eseguire.**  
L'elettrotensile corretto funziona meglio e in modo più sicuro, se utilizzato alla velocità per cui è stato progettato.
- b. **Non utilizzare elettrotensili con interruttori di accensione/spengimento difettosi.** Qualsiasi elettrotensile che non possa essere controllato tramite l'interruttore è pericoloso e deve essere riparato.
- c. **Staccare la spina dall'alimentazione elettrica e/o rimuovere il pacco batteria, se rimovibile, dall'apparato elettrico prima di effettuare qualsiasi tipo di regolazione, prima di cambiare gli accessori o di ripararlo.** Queste misure di sicurezza preventive riducono il rischio di azionare l'elettrotensile accidentalmente.
- d. **Quando non vengono usati, gli elettrotensili devono essere custoditi fuori dalla portata dei bambini. Non consentire l'uso dell'elettrotensile a persone inesperte o che non abbiano letto queste Istruzioni.** Gli elettrotensili sono pericolosi in mano a persone inesperte.
- e. **Sottoporre gli elettrotensili e gli accessori a regolare manutenzione.** Verificare che le parti mobili siano correttamente allineate e non inceppate, che non vi siano componenti rotti e che non sussistano altre condizioni che possano compromettere il funzionamento dell'elettrotensile. Se l'elettrotensile è danneggiato, farlo riparare prima dell'uso. Molti incidenti sono provocati da elettrotensili non sottoposti a corretta manutenzione.
- f. **Mantenere affilati e puliti gli utensili da taglio.** La manutenzione corretta degli utensili da taglio con bordi affilati riduce le probabilità di inceppamento e ne facilita il controllo.
- g. **Utilizzare l'elettrotensile, gli accessori, le punte, ecc. in conformità a queste istruzioni, tenendo conto delle condizioni operative e del lavoro da eseguire.**  
L'utilizzo dell'elettrotensile per impieghi diversi da quelli previsti può provocare situazioni di pericolo.
- h. **Mantenere le impugnature e le superfici di presa asciutte, pulite e senza tracce di olio o grasso.**  
Impugnature e superfici di presa scivolose non consentono di maneggiare e controllare in modo sicuro l'elettrotensile nel caso di imprevisti.
- 5. Utilizzo e cura degli elettrotensili a batteria (solo per elettrotensili a batteria)**
- a. **Ricaricare la batteria esclusivamente con il caricabatterie specificato dal produttore.**  
Un caricabatterie adatto a un determinato tipo di pacco batteria può provocare il rischio di incendio se utilizzato con un pacco batteria diverso.
- b. **Usare gli elettrotensili esclusivamente con i pacchi batteria appositamente concepiti.** L'impiego di pacchi batteria di tipo diverso potrebbe comportare il rischio di lesioni alle persone e incendio.
- c. **Quando non è in uso, il pacco batteria deve essere custodito lontano da oggetti metallici come graffette, monete, chiavi, chiodi, viti o altre minuterie in metallo che possono creare contatto tra i poli.** Se i terminali della batteria venissero cortocircuitati potrebbero provocare ustioni o un incendio.
- d. **In condizioni di sovraccarico, dalla batteria potrebbe fuoriuscire del liquido: evitare il contatto. In caso di contatto accidentale, sciacquare la pelle con abbondante acqua. Se il liquido dovesse entrare a contatto con gli occhi, rivolgersi anche a un medico.** Il liquido che fuoriesce dalla batteria può causare irritazioni o ustioni.
- e. **Non utilizzare un pacco batteria o un elettrotensile se danneggiati o modificati.** Le batterie danneggiate o modificate potrebbero manifestare un comportamento imprevedibile, con la possibilità di causare un'esplosione o un incendio.
- f. **Non esporre un pacco batteria o un elettrotensile al fuoco o a temperature elevate.** L'esposizione al fuoco o a una temperatura superiore a 130 °C potrebbe provocare un'esplosione. NOTA: 130 °C di temperatura corrispondono a una temperatura di 265 °F.
- g. **Seguire tutte le istruzioni per la carica e non caricare il pacco batteria o l'elettrotensile a una temperatura che non rientri nell'intervallo di valori specificato nelle istruzioni.**

Una carica effettuata in maniera scorretta o a una temperatura che non rientra nell'intervallo di valori specificato, potrebbe danneggiare la batteria aumentando il rischio d'incendio.

## 6. Assistenza

- a. **Fare riparare l'elettrotensile esclusivamente da personale specializzato che utilizzi solo ricambi originali.** In questo modo viene garantita la sicurezza dell'elettrotensile.
- b. **Non riparare i pacchi batteria danneggiati.** Gli interventi di riparazione sui pacchi batteria devono essere eseguiti dal produttore o da fornitori di assistenza autorizzati (solo per gli elettrotensili a batteria).

### Istruzioni di sicurezza per tutte le operazioni

- **Indossare sempre protezioni per l'udito quanto si eseguono lavori di foratura a percussione.** L'esposizione al rumore può causare la perdita dell'udito.
- **Sostenere l'elettrotensile dalle impugnature isolate quando si eseguono lavorazioni in cui l'accessorio di taglio o di avvitatura potrebbe toccare cavi elettrici nascosti.** Se un accessorio di taglio o una punta per avvitatura dovesse venire a contatto con un filo elettrico sotto tensione trasmetterebbe la corrente elettrica anche alle parti metalliche esposte dell'elettrotensile, con il pericolo di provocare la folgorazione dell'utilizzatore.

### Istruzioni di sicurezza per l'uso di punte lunghe

- **Non azionare mai il trapano/avvitatore a una velocità superiore alla velocità massima nominale della punta.** A velocità superiori è probabile che la punta si pieghi se viene lasciata ruotare liberamente senza toccare il pezzo da lavorare, con la possibilità di conseguenti lesioni personali.
- **Iniziare sempre a eseguire un foro a bassa velocità e con la punta a contatto con il pezzo in lavorazione.** A velocità superiori è probabile che la punta si pieghi se viene lasciata ruotare liberamente senza toccare il pezzo da lavorare, con la possibilità di conseguenti lesioni personali.
- **Applicare pressione solo in linea diretta con la punta (non esercitare una pressione eccessiva).** Le punte potrebbero piegarsi e rompersi o provocare la perdita di controllo del trapano con la possibilità di conseguenti lesioni personali.

### Istruzioni di sicurezza aggiuntive specifiche per trapano/avvitatore/trapano a percussione

- Usare morse o altri metodi pratici per fissare e bloccare il pezzo in lavorazione a una piattaforma stabile.

Tenere il pezzo in lavorazione con le mani o contro il corpo non ne assicura la stabilità e potrebbe comportare la perdita di controllo.

- Durante l'uso l'elettrotensile e gli accessori possono scaldarsi. Per maneggiarli indossare dei guanti se si devono eseguire lavori che generano calore, come la foratura di metalli.
- Le prese d'aria spesso coprono le parti mobili e devono essere evitate. Indumenti larghi, gioielli o capelli lunghi possono rimanere impigliati nelle parti mobili.
- Indossare occhiali di sicurezza o altre protezioni per gli occhi. La foratura con l'uso del trapano può emettere schegge. Tali schegge possono causare danni permanenti alla vista.
- Indossare sempre protezioni per l'udito quanto si eseguono lavori di foratura a percussione. L'esposizione al rumore può causare la perdita dell'udito.
- Usare l'impugnatura ausiliaria/le impugnature ausiliarie di cui è provvisto l'elettrotensile. La perdita di controllo può causare lesioni a persone.
- Non utilizzare questo utensile per periodi prolungati. La vibrazione provocata dal funzionamento dell'utensile può essere dannosa per le mani e le braccia dell'operatore. Servirsi di guanti per fornire un supporto in più e limitare l'esposizione prendendo delle pause frequenti.

### Sicurezza altrui

- Questo elettrotensile può essere usato da bambini dagli 8 anni in su e da persone portatrici di handicap fisici, psichici o sensoriali o che non possiedono la dovuta esperienza o conoscenza, purché siano seguiti o opportunamente istruiti sull'uso sicuro e comprendano i pericoli inerenti.
- Non lasciare che i bambini giochino con l'elettrotensile. Gli interventi di pulizia e di manutenzione da parte dell'utilizzatore non devono essere eseguiti da bambini senza supervisione.

### Rischi residui

L'utilizzo dell'elettrotensile può comportare rischi residui non necessariamente riportati nelle presenti avvertenze di sicurezza. Tali rischi possono sorgere a seguito di un uso prolungato o improprio, ecc.

Malgrado il rispetto delle norme di sicurezza pertinenti e l'implementazione di dispositivi di sicurezza, alcuni rischi residui non possono essere evitati. Tali rischi includono:

- lesioni personali causate dal contatto con parti rotanti/in movimento;
- lesioni personali subite durante la sostituzione di parti, lame o accessori;
- lesioni personali causate dall'impiego prolungato di un elettrotensile (quando si utilizza qualsiasi elettrotensile per lunghi periodi, accertarsi di fare regolarmente delle pause);

- menomazioni uditive;
- rischi per la salute causati dall'aspirazione di polveri generate dall'utilizzo dell'elettrotensile (ad esempio quando si lavora con il legno, in modo particolare quello di quercia, faggio, o con l'MDF.)

## Vibrazione

I valori di emissione di vibrazione dichiarati, indicati nella sezione "Dati tecnici" e nella Dichiarazione di conformità, sono stati misurati in base al metodo di prova standard previsto dalla normativa EN62841 e possono essere usati come parametri di confronto tra due utensili.

Il valore di emissione di vibrazione dichiarato può anche essere usato per una valutazione preliminare dell'esposizione.



**Avvertenza!** Il valore di emissione di vibrazione durante l'impiego effettivo dell'elettrotensile può variare da quello dichiarato a seconda delle modalità d'uso. Il livello di vibrazione può aumentare oltre quello dichiarato.

Quando si valuta l'esposizione alla vibrazione per stabilire le misure di sicurezza richieste, in conformità alla normativa 2002/44/CE destinata alla protezione delle persone che usano regolarmente elettrotensili nello svolgimento delle proprie mansioni lavorative, è necessario prendere in considerazione le condizioni effettive di utilizzo e il modo in cui l'elettrotensile viene usato, oltre che tenere conto di tutte le componenti del ciclo operativo, vale a dire i periodi in cui l'elettrotensile è spento, quelli in cui è acceso ma a riposo e quelli in cui viene effettivamente utilizzato.

## Etichette sull'elettrotensile

Sull'elettrotensile sono presenti i seguenti simboli assieme al codice data:



**Avvertenza!** Per ridurre il rischio di lesioni personali, leggere attentamente il manuale d'istruzioni.



Non fissare la spia di funzionamento

## Istruzioni di sicurezza aggiuntive per batterie e caricabatterie

### Batterie

- Non tentare mai di aprire le batterie per alcun motivo.
- Non lasciare che la batteria si bagni.
- Non esporre la batteria al calore.
- Non conservare la batteria in luoghi dove la temperatura potrebbe superare i 40 °C.
- Caricare la batteria solo a temperature ambientali comprese tra 10 °C e 40 °C.
- Caricare esclusivamente con il caricabatterie fornito in dotazione con l'apparecchio/l'elettrotensile.

- Quando si smaltiscono le batterie, seguire le istruzioni riportate nella sezione "Tutela ambientale".
- Non danneggiare/deformare la batteria forandola o colpendola, per evitare il rischio di lesioni o di incendio.
- Non caricare le batterie danneggiate.
- In condizioni estreme, si potrebbe verificare la perdita di liquido dalle batterie. Se si nota la presenza di liquido sulle batterie, pulirle con attenzione con uno straccio. Evitare il contatto con la pelle.
- In caso di contatto con la pelle o gli occhi, seguire le istruzioni riportate di seguito.



**Avvertenza!** Il liquido delle batterie può causare lesioni a persone o danni alle cose. In caso di contatto con la pelle, risciacquare immediatamente con acqua. In caso di rossore, dolore o irritazione, rivolgersi immediatamente a un medico. In caso di contatto con gli occhi, risciacquarli immediatamente con acqua pulita e consultare un medico.

### Caricabatterie

Il caricabatterie è stato progettato per una tensione specifica. Verificare sempre che la tensione di rete corrisponda a quella indicata sulla targhetta dei valori nominali.



**Avvertenza!** Non tentare mai di sostituire il caricabatterie con una spina elettrica tradizionale.

- Usare il caricabatterie solo per caricare la batteria nell'elettrotensile con il quale è stato fornito. Tipi diversi di batterie potrebbero scoppiare, provocando lesioni personali e danni materiali.
- Non tentare mai di caricare batterie non ricaricabili.
- In caso di danneggiamento del cavo di alimentazione è necessario farlo riparare dal fabbricante o presso un Centro assistenza autorizzato in modo da evitare pericoli.
- Fare sostituire immediatamente i cavi di alimentazione difettosi.
- Non lasciare che il caricabatterie si bagni.
- Non aprire il caricabatterie.
- Non collegare il caricabatterie a sonde.
- L'elettrodomestico/elettrotensile/la batteria devono essere lasciati in una zona ben ventilata durante la carica.



Il caricabatterie è destinato esclusivamente all'uso in ambienti interni.

### Sicurezza elettrica



Il doppio isolamento di cui è provvisto il caricabatterie rende superfluo il filo di terra. Verificare sempre che l'alimentazione corrisponda alla tensione riportata sulla targhetta dei valori nominali.

In caso di danneggiamento del cavo di alimentazione, è necessario farlo riparare dal produttore o presso un Centro di assistenza BLACK+DECKER autorizzato in modo da evitare pericoli.

## Caratteristiche

Questo apparecchio presenta alcune o tutte le seguenti caratteristiche.

1. Interruttore a grilletto
2. Pulsante avanti/indietro
3. Collare di regolazione coppia
4. Selettore di marce doppie
5. Mandrino autoserrante
6. Batteria
7. Pulsante di rilascio della batteria
8. Luce di lavoro a LED
9. Portapunte

## Uso

**Avvertenza!** Lasciare che l'elettrotensile funzioni al proprio ritmo.

Non sovraccaricarla.

## Carica del pacco batteria - Figura A

La batteria deve essere caricata prima dell'impiego iniziale e quando non eroga una potenza sufficiente per svolgere lavori che prima era possibile eseguire facilmente. Durante la carica, la batteria potrebbe riscaldarsi. Si tratta di un fatto normale che non indica la presenza di un problema.

**Avvertenza!** Non caricare la batteria a temperature ambientali inferiori a 10 °C o superiori a 40 °C. La temperatura di carica raccomandata è di circa 24 °C.

**Nota: il caricabatterie non carica una batteria se la temperatura delle celle è inferiore a 10 °C o superiore a 40 °C circa.**

**La batteria deve essere lasciata nel caricabatterie, che comincerà a caricarla automaticamente quando la temperatura delle celle aumenta o diminuisce.**

- ◆ Collegare il caricabatterie a una presa di corrente standard da 230 V, 50 Hz.
- ◆ Inserire il pacco batteria nel caricabatterie, come illustrato nella Figura A.
- ◆ Il LED verde lampeggia mentre la carica è in corso.
- ◆ Il completamento della carica sarà indicato dal LED verde che rimane acceso fisso. La batteria a quel punto è completamente carica e può essere utilizzata in subito o lasciata nel caricabatterie.

**Avvertenza!** Pericolo di incendio. Quando si scollega il caricabatterie dall'elettrotensile, accertarsi di scollegare prima il caricabatterie dalla presa di corrente, quindi scollegare il cavo del caricabatterie dall'elettrotensile.

## Per installare il pacco batteria - Figura B

- ◆ Inserire il pacco batteria saldamente nell'elettrotensile fino a quando non si sente uno scatto, come illustrato nella Figura B. Assicurarsi che il pacco batteria sia completamente inserito e bloccato in posizione.

## Per rimuovere il pacco batteria - inserto Figura B

- ◆ Premere il pulsante di rilascio della batteria (7) come indicato in figura B1 ed estrarre la batteria dall'utensile.

## Interruttore a grilletto e pulsante avanti/indietro - figura C

- ◆ Il trapano viene acceso e spento tirando e rilasciando l'interruttore a grilletto (1) indicato in figura C. Più è premuto il grilletto, maggiore è la velocità del trapano.
- ◆ Un cursore di controllo del senso di rotazione (2) determina la direzione di rotazione della punta dell'elettrotensile e funge anche da pulsante di blocco di sicurezza.
- ◆ Per selezionare la rotazione in avanti, rilasciare l'interruttore di azionamento e premere il pulsante di controllo avanti/indietro sul lato destro dell'apparato.
- ◆ Per selezionare la rotazione inversa, premere il pulsante di controllo avanti/indietro sul lato sinistro dell'apparato.
- ◆ Quando il cursore si trova al centro blocca l'utensile nella posizione di spegnimento. Assicurarsi di avere rilasciato il grilletto prima di cambiare la posizione del cursore di controllo del senso di rotazione.

## Regolazione del controllo della coppia - figura D

L'elettrotensile è dotato di un collare per la regolazione della coppia (3) che consente di selezionare la modalità operativa e di impostare la coppia di avvitamento delle viti. Le viti di grandi dimensioni e i pezzi in lavorazione di materiale più duro richiedono una coppia maggiore rispetto alle viti più piccole e ai pezzi di materiale più tenero.

- ◆ Per trapanare legno, metallo e plastica, regolare il collare sul simbolo del trapano.
- ◆ Per l'avvitatura, impostare il collare all'impostazione desiderata. Se non si conosce ancora l'impostazione desiderata, procedere come di seguito:
  - ◆ Regolare il collare sull'impostazione di coppia più bassa.
  - ◆ Serrare la prima vite.
  - ◆ Se la frizione scatta prima di aver ottenuto il risultato desiderato, aumentare il valore di impostazione del collare e continuare a stringere la vite.
  - ◆ Ripetere fino a ottenere l'impostazione corretta.
  - ◆ Usare questa impostazione per le viti rimanenti.

## Interruttore a due intervalli - figura E

La funzione del selettore marce a due velocità del trapano/avvitatore consente di cambiare le marce per una maggiore versatilità.

- ◆ Per selezionare la velocità bassa, con coppia alta (posizione 1), spegnere l'elettrotensile e lasciare che si fermi. Far scorrere il selettore marce (4) indietro (lontano dal mandrino).
- ◆ Per selezionare la velocità alta, con coppia bassa (posizione 2), spegnere l'elettrotensile e lasciare che si fermi. Far scorrere il selettore marce verso il mandrino.

**Nota:** Non cambiare marce quando l'apparato è in funzione. In caso di difficoltà con il cambio delle marce, assicurarsi che il selettore marce a due intervalli sia completamente spinto in avanti o completamente spinto indietro.

## mandrino autoserrante - figura F

**Avvertenza!** Assicurarsi che il battery pack sia rimosso per evitare l'azionamento dell'utensile prima dell'installazione o rimozione degli accessori.

Per infilare una punta o altri accessori:

- ◆ Afferrare il mandrino (5) e ruotarlo in direzione antioraria, vista dal lato del mandrino.
- ◆ Infilare la punta o un altro accessorio completamente nel mandrino e serrare saldamente ruotando il mandrino in senso orario come visto dall'estremità del mandrino.

**Avvertenza!** Non tentare di serrare o allentare le punte (o qualsiasi altro accessorio) afferrando la parte anteriore del mandrino e accendendo l'apparato. Durante il cambio degli accessori, potrebbero verificarsi danni al mandrino e lesioni alle persone.

## Avvitatura

- ◆ Quando si avvitano delle viti, il pulsante avanti/indietro deve essere spostato verso sinistra.
- ◆ Utilizzare indietro (pulsante premuto a destra) per rimuovere le viti.

**Nota:** quando si passa da avanti a indietro, o viceversa, rilasciare sempre prima il grilletto.

## Foratura

- ◆ Utilizzare solamente punte di trapano appuntite.
- ◆ Supportare e fissare il lavoro correttamente, come indicato nelle Istruzioni di sicurezza.
- ◆ Utilizzare i dispositivi di protezione necessari e adeguati, come indicato nelle Istruzioni di sicurezza.
- ◆ Mettere in sicurezza e mantenere l'area di lavoro, come indicato nelle Istruzioni di sicurezza.
- ◆ Far funzionare il trapano molto lentamente, con una leggera pressione, fino a quando il foro è sufficientemente profondo da evitare la fuoriuscita della punta.
- ◆ Esercitare la pressione perpendicolarmente alla punta.

Usare una pressione sufficiente a permettere alla punta di eseguire il foro, ma non così eccessiva da far spegnere il motore o da spostare la punta.

- ◆ Tenere il trapano saldamente con due mani, una mano sulla maniglia, e l'altra che tiene il fondo intorno alla zona batteria o la maniglia ausiliaria se in dotazione.
- ◆ **NON PREMERE VARIE VOLTE L'INTERRUTTORE DI ACCENSIONE A GRILLETTO DI UN TRAPANO ARRESTATO PER TENTARE DI RIAVVIARLO. IL TRAPANO POTREBBE SUBIRE DANNI.**
- ◆ Contenere al massimo la possibilità di arresto iniziale, riducendo la pressione e trapanando lentamente l'ultima porzione del foro.
- ◆ Tenere acceso il motore mentre si estrae la punta da un foro trapanato. In questo modo si riducono gli inceppamenti.
- ◆ Assicurarsi che l'interruttore accenda e spenga il trapano.

## Trapanatura del legno

I fori nel legno possono essere eseguiti con la stessa punta usata per il metallo o con punte a lancia. Le punte devono essere affilate ed estratte frequentemente per eliminare i trucioli dalle scanalature del trapano.

## Trapanatura del metallo

Utilizzare un lubrificante da taglio quando si forano metalli. Fanno eccezione la ghisa e l'ottone, che vanno forati a secco. Gli oli da taglio che funzionano meglio di tutto sono quelli solforati o l'olio di lardo.

## Luce di lavoro a LED

Quando il trapano viene attivato tirando l'interruttore a grilletto (1), la luce di lavoro LED integrata (8) illumina automaticamente l'area di lavoro.

**Nota:** la luce di lavoro è intesa per la superficie immediata di lavoro e non deve essere usata come torcia per illuminazione.

## Portapunte

Uno slot portapunte (9) è costruito nella base dell'utensile.

## Guida alla risoluzione dei problemi

Problema	Possibile causa	Possibile soluzione
L'unità non si avvia.	La batteria non è stata installata correttamente.  Il pacco batteria non si è caricato.	Verificare l'installazione della batteria.  Controllare i requisiti di carica del pacco batteria
L'unità parte immediatamente all'inserimento della batteria	L'interruttore è stato lasciato in posizione "on".	L'interruttore deve essere spostato su "off" per impedire l'avvio immediato dell'utensile quando viene inserita la batteria.

Problema	Possibile causa	Possibile soluzione
Il pacco batteria non si carica.	La batteria non è inserita nel carica-batterie.	Inserire il battery pack nell'alimentatore fino a quando il LED si illumina.
	Il caricabatterie non è collegato a una presa di corrente.	Collegare il caricabatterie a una presa di corrente funzionante.
	Temperatura atmosferica troppo alta o troppo bassa.	Spostare il caricabatterie e la batteria in un luogo con una temperatura dell'aria circostante superiore a 4,5 °C (40 °F) o inferiore a 40,5 °C (105 °F).
L'elettrotensile si spegne improvvisamente.	Il pacco batteria ha raggiunto il proprio limite termico massimo.  Carica esaurita. (Per massimizzare la durata del pacco batteria, esso è progettato per spegnersi improvvisamente quando è scarica.	Lasciare che il pacco batteria si raffreddi.  Inserirlo nel caricabatterie e lasciarlo caricare.

## Manutenzione

Questo elettrotensile BLACK+DECKER è stato progettato per funzionare a lungo con una manutenzione minima. Prestazioni sempre soddisfacenti dipendono da una cura appropriata e da una pulizia regolare.

Il caricabatterie non richiede alcuna manutenzione, salvo una regolare pulizia.

**Avvertenza!** Prima di eseguire interventi di manutenzione sull'elettrotensile, estrarre la batteria. Scollegare il caricabatterie dalla presa di corrente prima di pulirlo.

- ◆ Pulire regolarmente le prese di ventilazione dell'elettrotensile e dell'alimentatore con un pennello con un panno morbido e asciutto.
- ◆ Pulire regolarmente il vano del motore con un panno umido. Non usare materiali abrasivi o detergenti a base di solventi.
- ◆ Aprire regolarmente il mandrino e batterlo leggermente per eliminare la polvere dall'interno.

## Tutela ambientale



Raccolta differenziata. I prodotti e le batterie contrassegnati con questo simbolo non devono essere smaltiti con i rifiuti domestici normali.

Prodotti e batterie contengono materiali che possono essere recuperati o riciclati, riducendo la domanda di materie prime. Riciclare i prodotti elettrici e le batterie attenendosi alle disposizioni locali vigenti. Ulteriori informazioni sono disponibili all'indirizzo [www.2helpU.com](http://www.2helpU.com).

## Dati tecnici

BL186 H2		
Tensione	$V_{cc}$	18V
Velocità a vuoto	$Min^{-1}$	0-450 / 0-1800
Coppia max.	Nm	52
Capacità del mandrino	mm	13
Capacità di foratura max.		
Acciaio/legno	mm	13/35
Peso	kg	1.08 (1.46 con batteria)

Caricabatterie	905902**	906349**
Tensione in ingresso	$V_{ca}$ 100-240	220-240
Tensione erogata	$V_{cc}$ 8-20	8-20
Corrente	mA 400	1000
Tempo di carica approssimativo	Ore 4-10	1,5-4

Batteria	BL1518	BL2018	BL4018
Tensione	$V_{cc}$ 18	18	18
Capacità	Ah 1,5	2,0	4,0
Tipo	Li-Ion	Li-Ion	Li-Ion

Livello di pressione sonora misurato in conformità alla norma EN 62841:	
Pressione sonora ( $L_{pA}$ )	67 dB(A), incertezza (K) 5 dB(A)
Potenza sonora ( $L_{WA}$ )	78 dB(A), incertezza (K) 5 dB(A)

Valori totali di emissione di vibrazione (somma vettore triassiale) in conformità alla norma EN 62841:	
Trapanatura nel metallo ( $a_{h,D}$ )	1.7 $m/s^2$ , incertezza (K) 1,5 $m/s^2$

## Dichiarazione di conformità CE

DIRETTIVA MACCHINE



BL186 - Trapano

Black & Decker dichiara che i prodotti descritti nella sezione "Dati tecnici" sono conformi alle seguenti norme: 2006/42/EC, EN62841-1:2015, EN62841-2-1:2018+A11:2019, Questi prodotti sono inoltre conformi alle Direttive 2014/30/UE e 2011/65/UE.

Per ulteriori informazioni, contattare Black & Decker al seguente indirizzo oppure consultare l'ultima di copertina del manuale.

Il firmatario è responsabile della redazione del presente documento tecnico e rilascia questa dichiarazione per conto di Black & Decker.

*Patrick Diepenbach*

Patrick Diepenbach  
Direttore Generale, Benelux  
Black and Decker,  
Egide Walschaertsstraat 14-18  
2800 Mechelen, Belgio  
30/11/2021

## Garanzia

Black & Decker è certa della qualità dei propri prodotti e offre ai consumatori una garanzia di 24 mesi dalla data di acquisto. Il presente certificato di garanzia è complementare ai diritti legali e non li pregiudica in alcun modo. La garanzia è valida nei territori degli Stati membri dell'Unione Europea o dell'EFTA (Associazione europea di libero scambio).

Per attivare la garanzia, il reclamo deve essere effettuato in accordo con i Termini e Condizioni Black&Decker e sarà necessario presentare la prova di acquisto al venditore o all'agente di riparazione autorizzato.

I Termini e condizioni della garanzia Black&Decker di 2 anni e la sede del tecnico riparatore autorizzato più vicino sono consultabili su Internet all'indirizzo [www.2helpU.com](http://www.2helpU.com), o contattando l'ufficio Black&Decker di zona all'indirizzo postale indicato in questo manuale.

Visitate il nostro sito [www.blackanddecker.it](http://www.blackanddecker.it) per registrare il prodotto Black&Decker appena acquistato e ricevere gli aggiornamenti su nuovi prodotti e offerte speciali.

## Bedoeld gebruik

De BLACK+DECKER boormachine van het type BL186 is ontworpen voor het boren in hout, metaal en kunststof, maar kan ook als schroevendraaier worden gebruikt. Dit gereedschap is uitsluitend bestemd voor consumentengebruik.

## Veiligheidsinstructies

### Algemene veiligheidswaarschuwingen voor elektrisch gereedschap



**Waarschuwing! Lees alle veiligheidswaarschuwingen, instructies, illustraties en specificaties die bij dit gereedschap zijn meegeleverd.** Het niet opvolgen van alle onderstaande instructies kan leiden tot een elektrische schok, brand en/of ernstig persoonlijk letsel.

### Bewaar alle waarschuwingen en instructies als referentiemateriaal.

De hierna gebruikte term 'elektrisch gereedschap' in alle waarschuwingen die hieronder worden vermeld, heeft betrekking op elektrisch gereedschap voor gebruik op netspanning (met netsnoer) of met een accu (snoerloos).

#### 1. Veilige werkomgeving

- a. **Houd het werkgebied schoon en goed verlicht.** Op rommelige of donkere plekken zullen sneller ongelukken gebeuren.
- b. **Gebruik elektrisch gereedschap niet in een omgeving met explosiegevaar, zoals in de nabijheid van brandbare vloeistoffen, gassen of stof.** Elektrisch gereedschap veroorzaakt vonken die het stof of de dampen kunnen doen ontbranden.
- c. **Houd kinderen en andere personen tijdens het gebruik van elektrisch gereedschap uit de buurt.** Als u wordt afgeleid, kunt u de controle over het gereedschap verliezen.

#### 2. Elektrische veiligheid

- a. **De netstekker van het gereedschap moet in het stopcontact passen. Pas de stekker nooit op enige manier aan.**  
**Gebruik geen adapterstekkers in combinatie met geaard elektrisch gereedschap.** Niet-aangepaste stekkers en passende contactdozen verminderen het risico van een elektrische schok.
- b. **Vermijd aanraking van het lichaam met geaarde oppervlakken, bijvoorbeeld buizen, verwarmingen, fornuizen en koelkasten.** Er bestaat een verhoogd risico van een elektrische schok als uw lichaam contact heeft met aarde.
- c. **Houd het gereedschap uit de buurt van regen en vocht.** Als er water in elektrisch gereedschap binnendringt, verhoogt dit het risico van een elektrische schok.
- d. **Behandel het snoer met voorzichtigheid. Gebruik het snoer nooit om het elektrisch gereedschap te dragen of naar u toe te trekken, of de stekker uit het stopcontact te halen.** Houd het snoer uit de buurt van warmtebronnen, olie, scherpe randen, of bewegende onderdelen. Beschadigde snoeren of snoeren die in de war zijn geraakt, verhogen het risico van een elektrische schok.
- e. **Gebruik, wanneer u buitenshuis met elektrisch gereedschap werkt, alleen verlengsnoeren die zijn goedgekeurd voor gebruik buitenshuis.** Het gebruik van een verlengsnoer dat geschikt is voor binnen vermindert het risico van een elektrische schok.



- f. **Als u een elektrisch gereedschap moet gebruiken in een vochtige locatie, moet u een voeding die wordt beschermd door een aardlekschakelaar (RCD) gebruiken.** Het gebruik van een aardlekschakelaar vermindert het risico van een elektrische schok.
3. **Persoonlijke veiligheid**
- a. **Blijf alert, let goed op wat u doet en ga met verstand te werk bij het gebruik van elektrisch gereedschap. Gebruik elektrisch gereedschap niet als u vermoeid bent of als u onder invloed van drugs, alcohol of medicatie bent.** Een moment van onoplettendheid tijdens het werken met elektrisch gereedschap kan leiden tot ernstig persoonlijk letsel.
- b. **Draag persoonlijke beschermende kleding. Draag altijd oogbescherming.** Beschermende uitrusting, zoals een stofmasker, anti-slip veiligheidsschoenen, een helm, of gehoorbescherming, gebruikt in de juiste omstandigheden, zal het risico op persoonlijk letsel verminderen.
- c. **Voorkom dat het gereedschap onbedoeld kan worden ingeschakeld. Controleer, voor u de stekker in het stopcontact steekt en/of de accu plaatst, en voor u het gereedschap oppakt en draagt, dat de schakelaar in de uit-stand staat.** Het dragen van elektrisch gereedschap met uw vinger op de schakelaar of het aanzetten van elektrisch gereedschap waarvan de schakelaar aan staat, kan leiden tot ongelukken.
- d. **Verwijder alle stelsleutels of steeksleutels voor u het elektrische gereedschap aan zet.** Een steeksleutel of een inbussleutel in een draaiend deel van het elektrisch gereedschap kan tot persoonlijk letsel leiden.
- e. **Reik niet buiten uw macht. Blijf altijd stevig en in balans op de grond staan.** Dit geeft u betere controle over het elektrisch gereedschap in onverwachte situaties.
- f. **Draag de juiste kleding. Draag geen loszittende kleding of sieraden. Houd uw haar, kleding en handschoenen uit de buurt van bewegende onderdelen.** Loszittende kleding, sieraden of lang haar kunnen door bewegende delen worden gegrepen.
- g. **Controleer dat, wanneer hulpstukken voor stofafzuiging en stofopvang kunnen worden gemonteerd, deze goed zijn aangesloten en op juiste wijze worden gebruikt.** Het gebruik van stofafzuiging kan aan stof gerelateerde gevaren verminderen.
- h. **Word niet gemakzuchtig doordat u door veelvuldig gebruik vertrouwd bent geraakt met het gereedschap, en verlies niet de veiligheidsbeginselen voor het gereedschap uit het oog.** Een onvoorzichtige handeling kan in een fractie van een seconde ernstig letsel tot gevolg hebben.
4. **Gebruik en onderhoud van elektrisch gereedschap**
- a. **Oefen niet te veel kracht uit op het elektrisch gereedschap. Gebruik het juiste elektrisch gereedschap voor uw toepassing.** Met het juiste elektrisch gereedschap kunt u de werkzaamheden waarvoor het gereedschap is ontworpen, beter en veiliger uitvoeren.
- b. **Gebruik geen elektrisch gereedschap waarvan de schakelaar defect is.** Ieder elektrisch gereedschap dat niet met de schakelaar kan worden bediend, is gevaarlijk en moet worden gerepareerd.
- c. **Haal de stekker uit het stopcontact en/of neem de accu uit het gereedschap voor u aanpassingen uitvoert, accessoires wisselt of gereedschap opbergt.** Dergelijke preventieve veiligheidsmaatregelen verminderen het risico dat het elektrisch gereedschap per ongeluk wordt gestart.
- d. **Bewaar niet-gebruikte elektrische gereedschappen buiten bereik van kinderen. Laat het gereedschap niet gebruiken door personen die er niet vertrouwd mee zijn en deze aanwijzingen niet hebben gelezen.** Elektrisch gereedschap is gevaarlijk in handen van ongetrainde gebruikers.
- e. **Onderhoud elektrisch gereedschap en accessoires goed. Controleer dat bewegende delen van het elektrisch gereedschap wel goed functioneren en niet klemmen, en dat er niet onderdelen zodanig zijn gebroken of beschadigd dat de werking van het gereedschap nadelig wordt beïnvloed. Laat het gereedschap voor gebruik repareren als het beschadigd is.** Veel ongelukken worden veroorzaakt door slecht onderhouden elektrisch gereedschap.
- f. **Houd gereedschap voor maaien en zagen scherp en schoon.** Goed onderhouden zaaggereedschap met scherpe snijvlakken loopt minder snel vast en is gemakkelijker onder controle te houden.
- g. **Gebruik elektrisch gereedschap, accessoires, hulpstukken en dergelijke volgens deze aanwijzingen. Let daarbij op de arbeidsomstandigheden en de uit te voeren werkzaamheden.** Gebruik van het elektrisch gereedschap voor werkzaamheden die anders zijn dan bedoeld, kan leiden tot een gevaarlijke situatie.
- h. **Houd de handgrepen droog, schoon en vrij van olie en vet.** Gladde handgrepen en greepoppervlakken maken het moeilijk het gereedschap veilig te hanteren en onder controle te houden in onverwachte situaties.
5. **Gebruik en verzorging van accugereedschap (alleen voor accugereedschap)**
- a. **Laad de accu alleen op met de lader die wordt opgegeven door de fabrikant.**

Een lader die geschikt is voor het ene type accu, kan een risico van brand doen ontstaan bij gebruik met een andere accu.

- b. **Gebruik elektrisch gereedschap alleen in combinatie met specifiek vermelde accu's.** Het gebruik van andere accu's kan gevaar voor letsel en brand geven.
- c. **Houd accu's die niet worden gebruikt uit de buurt van andere metalen voorwerpen, zoals paperclips, munten, spijkers, schroeven of andere kleine metalen voorwerpen die een verbinding van de ene pool naar de andere tot stand kunnen brengen.** Als kortsluiting tussen de polen van de accu wordt gemaakt, kan dit tot brandwonden of brand leiden.
- d. **Wanneer de accu slecht wordt behandeld, kan er vloeistof uit de accu spuiten, vermijd contact met deze vloeistof. Als er per ongeluk contact ontstaat, spoel dan met water. Als de vloeistof in de ogen komt, roep dan tevens medische hulp in.** Vloeistof uit de accu kan irritatie en brandwonden veroorzaken.
- e. **Gebruik niet een accu of gereedschap die/dat beschadigd is of waaraan wijzigingen zijn aangebracht.** Beschadigde of gemodificeerde accu's kunnen zich onvoorspelbaar gedragen wat brand, explosie of een risico van letsel met zich mee kan brengen.
- f. **Stel een accu of gereedschap niet bloot aan vuur of uitzonderlijk hoge temperaturen.** Blootstelling aan vuur of een temperatuur boven 130 °C kan explosie tot gevolg hebben. **OPMERKING:** Voor de temperatuur „130 °C“ kunt u lezen „265 °F“.
- g. **Volg alle instructies voor het opladen en laad de accu of het gereedschap niet bij een temperatuur buiten het temperatuurbereik dat wordt opgegeven in de instructies.** Onjuist opladen of opladen bij temperaturen buiten het opgegeven bereik kan de accu beschadigen en het risico van brand vergroten.

## 6. Service

- a. **Laat het gereedschap alleen repareren door gekwalificeerd en vakkundig personeel en alleen met originele vervangingsonderdelen.** De veiligheid van het gereedschap blijft dan behouden.
- b. **Voer nooit servicewerkzaamheden uit aan accu's.** Alleen de fabrikant of een geautoriseerd servicecentrum mag servicewerkzaamheden aan accu's uitvoeren (geldt alleen voor accugereedschap).

## Veiligheidsvoorschriften voor alle handelingen

- **Draag gehoorbescherming wanneer u de boorhamer gebruikt.** Blootstelling aan lawaai kan gehoorverlies veroorzaken.

- **Houd het gereedschap vast bij de geïsoleerde greepoppervlakken als u een handeling uitvoert waarbij het snijdende hulpstuk of het bevestigingsmateriaal met onzichtbare draden in aanraking kan komen.** Als een draad onder spanning wordt geraakt door het snijdende hulpstuk of het bevestigingsmateriaal, komen onafgeschermd metalen delen van het gereedschap onder spanning te staan en kunt u een elektrische schok krijgen.

## Veiligheidsinstructies wanneer u lange boren gebruikt

- **Werk nooit op een hogere snelheid dan de maximale nominale snelheid op de boor-bit.** Bij hogere snelheden zal de boor misschien doorbuigen als deze vrij kan draaien zonder contact met het werkstuk, wat persoonlijk letsel tot gevolg heeft.
- **Begin altijd met woorden op een lagere snelheid met de boor-bit in contact met het werkstuk.** Bij hogere snelheden zal de boor misschien doorbuigen als deze vrij kan draaien zonder contact met het werkstuk, wat persoonlijk letsel tot gevolg heeft.
- **Oefen alleen in een directe lijn met het boortje druk uit en oefen niet al te veel druk uit.** Bits kunnen doorbuigen waardoor de bit kan breken of de gebruiker de controle kan verliezen, wat persoonlijk letsel tot gevolg heeft.

## Aanvullende Veiligheidsvoorschriften voor Boormachine/Schroevendraaier/Hamerboor

- Zet het werkstuk met klemmen of op een andere praktische manier vast en ondersteun het op een stabiele ondergrond. Wanneer u het werkstuk vasthoudt met de hand of tegen uw lichaam gedrukt houdt, is het instabiel en kunt u de controle verliezen.
- Accessoires en het gereedschap kunnen tijdens het werken heet worden. Draag wanneer u ze hanteert handschoenen als u toepassingen uitvoert waarbij warmte vrijkomt, zoals werken met de hamerboor en het boren in metaal.
- Ventilatieopeningen bedekken vaak bewegende onderdelen en kunnen beter niet worden aangeraakt. Loszittende kleding, sieraden of lang haar kunnen door bewegende delen worden gegrepen.
- Draag een veiligheidsbril of andere bescherming van uw ogen. Tijdens het werken met de boor of hamerboor kunnen er kleine stukjes materiaal in het rond vliegen.
- Vliegende deeltjes kunnen permanente beschadiging van de ogen veroorzaken.
- Draag gehoorbescherming wanneer u de boorhamer gebruikt. Blootstelling aan lawaai kan gehoorverlies veroorzaken.

- Gebruik de hulphandgreep/hulphandgrepen als die bij het gereedschap wordt/worden geleverd. Verlies van controle kan leiden tot persoonlijk letsel.
- Werk niet lange tijd achtereen met dit gereedschap. Trilling die wordt veroorzaakt door de werking van het gereedschap kunnen schadelijk zijn voor uw handen en armen. Draag handschoenen zodat de trillingen worden opgevangen en beperk de blootstelling door regelmatig rustperiodes in te lassen.

### Veiligheid van anderen

- Dit gereedschap mag worden gebruikt door kinderen van 8 jaar en ouder en personen die lichamelijk of geestelijk minder valide zijn of die geen ervaring met of kennis van dit gereedschap hebben, mits zij onder toezicht staan of instructies krijgen voor een veilige manier van gebruiken van het gereedschap en begrijpen welke gevaren het gebruik met zich meebrengt.
- Kinderen mogen niet met het apparaat spelen. Laat kinderen nooit zonder toezicht het gereedschap schoonmaken of onderhouden.

### Overige risico's

Er kunnen zich bij het gebruik van dit gereedschap nog meer risico's voordoen, die mogelijk niet in de bijgesloten veiligheidswaarschuwingen worden beschreven. Deze risico's kunnen zich voordoen door onoordeelkundig gebruik, langdurig gebruik, enz.

Zelfs wanneer de veiligheidsvoorschriften in acht worden genomen en de veiligheidsvoorzieningen worden gebruikt, kunnen bepaalde risico's niet worden uitgesloten. Dit zijn onder meer:

- Verwondingen die worden veroorzaakt door het aanraken van draaiende of bewegende onderdelen.
- Verwondingen die worden veroorzaakt bij het vervangen van onderdelen, bladen of accessoires.
- Letsel dat wordt veroorzaakt door langdurig gebruik van gereedschap. Wanneer u langere periodes met gereedschap werkt, kunt u het beste regelmatig een pauze nemen.
- Gehoorbeschadiging.
- Gezondheidsrisico's door het inademen van stof dat vrijkomt tijdens het gebruik van het gereedschap (bijvoorbeeld: het werken met hout, met name eiken, beuken en MDF).

### Trillingen

De aangegeven waarden voor trillingsemisatie in de technische gegevens en de Conformiteitsverklaring, zijn gemeten volgens een standaardtestmethode die door EN62841 wordt verstrekt. Hiermee kan het ene gereedschap met het andere worden vergeleken.

De aangegeven waarde voor trillingsemisatie kan ook worden gebruikt bij een voorlopige bepaling van blootstelling.



**Waarschuwing!** De waarde voor trillingsemisatie tijdens het werkelijke gebruik van het elektrisch gereedschap kan verschillen van de aangegeven waarde afhankelijk van de manieren waarop het gereedschap wordt gebruikt. Het trillingsniveau kan toenemen tot boven het aangegeven niveau.

Bij beoordeling van de blootstelling aan trillingen met het doel vast te stellen welke veiligheidsmaatregelen 2002/44/EG vereist ter bescherming van personen die tijdens hun werk regelmatig elektrisch gereedschap gebruiken, moet bij een inschatting van de blootstelling aan trillingen rekening worden gehouden met de werkelijke gebruiksomstandigheden en de manier waarop het gereedschap wordt gebruikt. Daarbij moet ook rekening worden gehouden met alle onderdelen van de bedrijfscyclus, zoals wanneer het gereedschap wordt uitgeschakeld en wanneer het gereedschap stationair loopt en ook de aanlooptijd.

### Etiketten op het gereedschap

Behalve van de datumcode is het gereedschap voorzien van de volgende symbolen:



**Waarschuwing!** De gebruiker moet de instructiehandleiding lezen zodat het risico van letsel wordt beperkt.



Kijk niet in de werkklamp

### Aanvullende veiligheidsinstructies voor accu's en laders

#### Accu's

- Probeer nooit om welke reden dan ook batterijen open te maken.
- Stel de accu niet bloot aan water.
- Stel de accu niet bloot aan hitte.
- Bewaar de batterijen niet op locaties met temperaturen van meer dan 40 °C.
- Laad de accu alleen op bij een omgevingstemperatuur van 10°C tot 40°C.
- Gebruik alleen de lader die bij het gereedschap/apparaat is geleverd.
- Gooi lege batterijen weg volgens de instructies in het gedeelte "Het milieu beschermen".
- U mag de accubehuizing niet beschadigen of vervormen door er gaten in te prikken of ertegen aan te stoten, aangezien dit kan leiden tot letsel of brand.
- Laad beschadigde batterijen niet op.

- Onder extreme omstandigheden kan lekkage van batterijen optreden. Wanneer u merkt dat de accu nat of vochtig is, veeg de vloeistof dan voorzichtig af met een doek. Vermijd huidcontact.
- Volg in het geval van huid- of oogcontact de onderstaande instructies.



**Waarschuwing!** De accuvloeistof kan lichamelijk letsel en materiële schade veroorzaken. Bij huidcontact moet u de vloeistof direct afspoelen met water. Raadpleeg uw huisarts als er rode vlekken ontstaan of bij een pijnlijke of geïrriteerde huid. Bij oogcontact moet u de vloeistof direct uitspoelen met water en uw huisarts raadplegen.

### Laders

De lader is ontworpen voor een bepaalde spanning. Controleer altijd dat de netspanning overeenkomt met de waarde op het typeplaatje.



**Waarschuwing!** Probeer nooit de lader te voorzien van een normale netstekker.

- Gebruik de lader alleen voor de accu's in het apparaat waarbij de lader is geleverd. Andere batterijen kunnen openbarsten, met persoonlijk letsel en materiële schade tot gevolg.
- Niet-oplaadbare accu's mogen nooit worden opgeladen.
- Als het netsnoer is beschadigd, moet dit worden vervangen door de fabrikant of een geautoriseerd servicecentrum, zodat gevaarlijke situaties worden voorkomen.
- Een defect snoer moet direct worden vervangen.
- Stel de lader niet bloot aan water.
- Open de lader niet.
- Prik nooit met een scherp voorwerp in de lader.
- Het apparaat/het gereedschap/de accu moet tijdens het laden in een goed geventileerde ruimte worden geplaatst.



De lader is uitsluitend bestemd voor gebruik binnenshuis.

### Elektrische veiligheid



Deze lader is dubbel geïsoleerd, zodat een aardingskabel niet noodzakelijk is. Controleer altijd dat de stroomvoorziening overeenkomt met de voltage op het typeplaatje.

Als het netsnoer is beschadigd, moet dit worden vervangen door de fabrikant of een geautoriseerd BLACK+DECKER-servicecentrum, zodat gevaarlijke situaties worden voorkomen.

### Functies

Dit apparaat heeft enkele of alle van de volgende functies.

1. Aan/uit-schakelaar
2. Vooruit/Achteruit-knop
3. Stelling voor aanpassing torsie
4. Selectieknop twee snelheden
5. Sleutellose boorkop
6. Accu
7. Ontgrendelingsknop accu
8. LED-werklicht
9. Bithouder

### Gebruik

**Waarschuwing!** Laat het gereedschap op z'n eigen snelheid werken.

Overbelast het gereedschap niet.

### De accu opladen - Afbeelding A

De accu moet vóór het eerste gebruik worden opgeladen, en ook zodra de accu niet meer voldoende vermogen levert voor taken die eerst gemakkelijk konden worden uitgevoerd. Tijdens het opladen kan de accu warm worden. Dit is normaal en duidt niet op een probleem.

**Waarschuwing!** Laad de batterij niet op bij een omgevingstemperatuur lager dan 10 °C of hoger dan 40 °C. De aanbevolen laadtemperatuur is ongeveer 24 °C.

**Opmerking: De lader zal de accu niet opladen als de temperatuur van de accu lager is dan ongeveer 10 °C of hoger dan 40 °C.**

**Laat de accu in dat geval in de lader zitten. De lader wordt automatisch ingeschakeld wanneer de accu de juiste temperatuur heeft.**

- ◆ Steek de stekker van de lader in een standaard stopcontact van 230 V/50 Hz.
- ◆ Schuif de accu in de lader, zoals wordt weergegeven op afb. A.
- ◆ De groene LED gaat knipperen, wat aangeeft dat de accu wordt opgeladen.
- ◆ Wanneer de accu volledig is opgeladen, blijft de groene LED ononderbroken branden. De accu is volledig opgeladen en kan worden gebruikt of in de lader blijven zitten.

**Waarschuwing!** Brandgevaar. Wanneer u de lader loskoppelt van het gereedschap, let er dan vooral op dat u eerst de stekker uit het stopcontact trekt en vervolgens het snoer van de lader loskoppelt van het gereedschap.

### De accu plaatsen - Afbeelding B

- ◆ Plaats de accu in het gereedschap tot u een klik hoort, zoals wordt weergegeven op afbeelding A. Controleer de accu goed op z'n plaats zit en volledig is vergrendeld.

### De accu uitnemen - Afbeelding B inzet

- ◆ Druk op de accuvrijgaveknop (7) zoals wordt getoond in Afbeelding B1 en trek de accu uit het gereedschap.

## Aan-/uitschakelaar & Vooruit-/achteruitknop - afbeelding C

- ◆ De boormachine wordt AAN en UIT geschakeld door de aan-/uitschakelaar (1), die in afbeelding C wordt weergegeven, in te trekken en los te laten. Hoe verder de schakelaar wordt ingedrukt, des te hoger de snelheid van de boormachine.
- ◆ Met de vooruit-/achteruitknop (2) bepaalt u de draairichting van het gereedschap. Deze knop dient ook als knop voor vergrendeling in de uit-stand.
- ◆ De draairichting vooruit wordt geselecteerd door de aan-/uitschakelaar los te laten en de vooruit/achteruit-regelknop aan de rechterzijde van het gereedschap in te drukken.
- ◆ De draairichting achteruit wordt geselecteerd door de vooruit/achteruit-regelknop aan de linkerzijde van het gereedschap in te drukken.
- ◆ De middelste stand van de regelknop vergrendelt het gereedschap in de uit-stand. Wanneer u de stand van de regelknop wijzigt, is het belangrijk dat u de aan/uit-knop niet indrukt.

## Torsieregeling aanpassen - afbeelding D

Dit gereedschap is voorzien van een stelring (3) voor de torsie waarmee u de gebruiksstand kunt selecteren en de torsie voor het indraaien van schroeven kunt instellen. Grote schroeven en harde werkmaterialen vragen een hogere torsie-instelling dan kleine schroeven en zachte werkmaterialen.

- ◆ Stel voor het boren in hout, metaal en kunststof, de stelring in op het boorsymbool.
- ◆ Stel voor het indraaien van schroeven de stelring in op de gewenste instelling. Wanneer u de gewenste instelling niet kent, ga dan verder als volgt:
  - ◆ Zet de stelring op de laagste torsie-instelling.
  - ◆ Draai de eerste schroef aan.
  - ◆ Verhoog, als de koppeling ratelt voor het gewenste resultaat is bereikt, de instelling van de stelring en ga door met het aandraaien van de schroef.
  - ◆ Herhaal dit tot u de juiste instelling hebt gevonden.
  - ◆ Gebruik deze instelling voor de resterende schroeven.

## Schakelaar twee snelheden - afbeelding E

Uw boormachine heeft een functie voor twee snelheden, u kunt dus voor iedere toepassing de juiste snelheid kiezen en dat biedt meer toepassingsmogelijkheden.

- ◆ Schakel voor de lage snelheid, voor de instelling voor hoog koppel (position 1), het gereedschap uit en laat het tot stilstand komen. Schuif de knop voor snelheidswissel (4) weg van de boorkop.
- ◆ Schakel voor het selecteren van de hoge snelheid, voor de stand voor laag koppel (stand 2) het gereedschap uit en laat het tot stilstand komen. Schuif de knop voor snelheidswissel weer naar voren (naar de boorkop toe).

**Opmerking:** Wissel niet van snelheid wanneer het gereedschap draait. Als het wisselen van snelheid gemakkelijk verloopt, is het belangrijk dat u controleert dat de knop voor de snelheidswissel geheel naar voren of geheel naar achteren is geduwd.

## Sleutellose boorkop - afbeelding F

**Waarschuwing!** Controleer, voordat u accessoires plaatst of losneemt, dat de accu is uitgenomen, zodat het gereedschap niet per ongeluk kan worden ingeschakeld.

Een boortje of een ander accessoire plaatsen:

- ◆ Houd de boorkop (5) vast en draai deze linksom, vanaf het uiteinde van de boorkop gezien.
- ◆ Plaats de boor of het andere accessoire geheel in de boorkop en zet het stevig vast door de boorkop rechts te draaien, gezien vanuit de boorkop.

**Waarschuwing!** Probeer niet boren (of andere accessoires) vast te zetten of los te maken door het voorste gedeelte van de boorkop vast te houden en het gereedschap in te schakelen. Wanneer u accessoires op deze manier vervangt, kan de boorkop beschadigd raken en kunt u zich bezeren.

## Schroeven indraaien

- ◆ Als u schroeven wilt indraaien, moet u de knop voor vooruit/achteruit naar links duwen.
- ◆ Gebruik de achterwaartse draairichting (knop naar rechts geduwd) als u schroeven wilt uitdraaien.

**Opmerking:** Wanneer u wisselt van vooruit naar achteruit, of vice versa, moet u altijd eerst de aan/uit-schakelaar loslaten.

## Boren

- ◆ Gebruik alleen scherpe boren.
- ◆ Ondersteun het werkstuk en zet het goed vast, volgens de aanwijzingen in Veiligheidsinstructies.
- ◆ Gebruik een geschikte en vereiste veiligheidsuitrusting, volgens de aanwijzingen in Veiligheidsinstructies.
- ◆ Maak het werkgebied veilig en onderhoud het volgens de aanwijzingen in Veiligheidsinstructies.
- ◆ Laat de boormachine langzaam werken, oefen lichte druk uit tot het gat voldoende diep is en de boor niet meer kan weglipen.
- ◆ Oefen druk uit in een rechte lijn met de boor. Duw hard genoeg om de boor zijn werk te laten doen, maar niet zo hard dat de motor vastloopt of de boor van zijn rechte lijn afwijkt.
- ◆ Houd de boor stevig met twee handen vast, een hand op de handgreep en de andere aan de onderzijde om de accu of om de extra handgreep, als deze is geleverd, geklemd.
- ◆ **SCHAKEL EEN VASTGELOPEN BOORMACHINE NIET IN EN UIT IN EEN POGING DE MACHINE WEER OP GANG TE BRENGEN. HIERDOOR KAN DE BOORMACHINE BESCHADIGD RAKEN.**

- ◆ Minimaliseer de kans op vastlopen in het laatste gedeelte van het boren door dan de druk te verminderen en langzaam te boren.
- ◆ Laat de motor draaien terwijl u de boor uit het geboorde gat trekt. Dit zal de kans op vastlopen verkleinen.
- ◆ Zorg ervoor dat de schakelaar de boormachine in- en uitschakelt.

### In hout boren

In hout kunt u dezelfde spiraalboren gebruiken als voor metaal, of speciale speed-boren. Deze boren moeten scherp zijn en moeten tijdens het boren regelmatig uit het gat worden getrokken zodat spaanders uit de groeven van de boor kunnen ontsnappen.

### In metaal boren

Gebruik een snijvloeistof wanneer u in metaal boort. De uitzonderingen zijn gietijzer en messing, deze moeten droog worden geboord. De snijolie die het beste werkt, is gezwavelde snijolie.

### LED-werklicht

Wanneer u de boormachine inschakelt door de aan/uitschakelaar (1) in te trekken, verlicht het geïntegreerde LED-werklicht (8) automatisch het werkgebied.

**Opmerking:** Het werklicht is bedoeld voor het verlichten van het werkoppervlak in de onmiddellijke nabijheid en het is niet de bedoeling dat u het licht gebruikt als zaklantaarn.

### Bitopbergvak

In de voet van het gereedschap bevindt zich een opbergslief (9) voor bits.

### Problemen oplossen

Probleem	Mogelijke oorzaak	Mogelijke oplossing
Toestel start niet.	De accu is niet goed geplaatst. De accu is niet opgeladen.	Controleer de plaatsing van de accu. Controleer de laadvereisten voor de accu.
Het gereedschap start zodra u de accu inzet.	De schakelaar is in de stand 'ON' blijven staan.	De schakelaar moet in de stand 'uit' worden gezet, zodat het gereedschap niet onmiddellijk kan starten wanneer de accu wordt geplaatst.
De accu laadt niet op.	De accu is niet in de oplader geplaatst. De stekker van de lader zit niet in het stopcontact. De omgevingstemperatuur is te hoog of te laag.	Plaats de accu in de lader, zodat het indicatielampje voor het laden rood gaat branden. Steek de stekker van de lader in een stopcontact waar stroom op staat. Verplaats de lader en de accu naar een locatie waar de luchttemperatuur hoger is dan 4,5 °C en lager is dan +40,5 °C

Probleem	Mogelijke oorzaak	Mogelijke oplossing
Gereedschap werkt plotseling niet meer.	Accu heeft de maximale temperatuur bereikt. Accu is leeg. De accu is zo ontworpen dat hij zichzelf plotseling uitschakelt wanneer hij bijna leeg is. Dit verlengt de levensduur van de accu.	Laat de accu afkoelen. Plaats de accu op de lader en laad de accu op.

### Onderhoud

Uw BLACK+DECKER-gereedschap is ontworpen om gedurende langere periode te functioneren met een minimum aan onderhoud. Het continu naar tevredenheid functioneren hangt af van de juiste zorg voor het gereedschap en regelmatig schoonmaken.

Behalve regelmatige reiniging vraagt de lader geen onderhoud.

**Waarschuwing!** Neem, voordat u onderhoud aan het gereedschap uitvoert, de accu uit het gereedschap. Neem de lader uit het stopcontact voordat u deze schoonmaakt.

- ◆ Reinig de ventilatieopeningen van het gereedschap en de lader regelmatig met een zachte borstel of droge doek.
- ◆ Reinig de behuizing van de motor regelmatig met een vochtige doek. Gebruik niet een schurend schoonmaakmiddel of een schoonmaakmiddel op basis van een oplosmiddel.
- ◆ Open regelmatig de boorkop en tik erop zodat eventueel stof uit het binnenste kan vallen.

### Het milieu beschermen



Gescheiden afvalinzameling. Producten en accu's waarop dit symbool is aangebracht, mogen niet bij het normale huishoudafval worden weggegooid.

Producten en accu's bevatten materialen die kunnen worden teruggewonnen of gerecycled en dat doet de vraag naar grondstoffen afnemen.

Recycle elektrische producten en accu's volgens de ter plaatse geldende bepalingen. Nadere informatie is beschikbaar op [www.2helpU.com](http://www.2helpU.com)

### Technische gegevens

BL186 H2		
Spanning	V <sub>DC</sub>	18V
Snelheid onbelast	Min <sup>-1</sup>	0-450 / 0-1800
Max. torsie	Nm	52
Capaciteit boorkop	mm	13
Max. boorvermogen		
Metaal/hout	mm	13/35
Gewicht	kg	1,08 (1,46 met accu)

Lader		905902**	906349**
Ingangsspanning	V <sub>AC</sub>	100 - 240	220 - 240
Uitgangsspanning	V <sub>DC</sub>	8 - 20	8 - 20
Laadstroom	mA	400	1000
Laadtijd bij benadering	uur	4 - 10	1,5 - 4

Accu		BL1518	BL2018	BL4018
Spanning	V <sub>DC</sub>	18	18	18
Capaciteit	Ah	1,5	2,0	4,0
Type		Li-Ion	Li-Ion	Li-Ion

Geluidsdruk niveau, volgens EN 62841:	
Geluidsdruk (L <sub>pa</sub> )	67 dB(A), onzekerheid (K) 5 dB(A)
Geluidsvermogen (L <sub>wk</sub> )	78 dB(A), meetonzekerheid (K) 5 dB(A)

Totale trillingswaarden (som triaxvector) volgens EN 62841:	
In metaal boren (a <sub>h,D</sub> )	1,7 m/s <sup>2</sup> , meetonzekerheid (K) 1,5 m/s <sup>2</sup>

## EG Conformiteitsverklaring

### RICHTLIJN VOOR MACHINES



BL186 - Boormachine

Black & Decker verklaart hierbij dat de producten die worden beschreven onder 'technische gegevens' voldoen aan: 2006/42/EC, EN62841-1:2015, EN62841-2-1:2018+A11:2019, Deze producten zijn ook conform richtlijnen 2014/30/EU en 2011/65/EU.

Neem voor meer informatie contact op met Black & Decker op het volgende adres of raadpleeg de achterzijde van de handleiding.

Ondergetekende is verantwoordelijk voor de samenstelling van het technische bestand en legt deze verklaring af namens Black & Decker.

*Patrick Diepenbach*

Patrick Diepenbach  
General Manager, Benelux  
Black and Decker,  
Egide Walschaertsstraat 14-18  
2800 Mechelen, Belgium  
30-11-2021

## Garantie

Black & Decker heeft vertrouwen in zijn producten en biedt consumenten een garantie van 24 maanden vanaf de aankoopdatum. Deze garantie vormt een aanvulling op uw wettelijke rechten en beperken deze niet. De garantie is geldig op het grondgebied van de Lidstaten van de Europese Unie en de Europese Vrijhandelszone.

Voor een garantie-aanspraak moet uw aanspraak in overeenstemming zijn met de Voorwaarden en Condities van Black&Decker en moet u een bewijs van aankoop overleggen aan de verkoper of aan een geautoriseerde reparatiemonteur. Voorwaarden en condities van de 2-jarige garantie van Black&Decker en het adres van de vestiging van het geautoriseerde reparatiecentrum bij u in de buurt, kunt u vinden op internet op [www.2helpU.com](http://www.2helpU.com), of door contact op te nemen met het Black & Decker-kantoor ter plaatse, op het adres dat in deze handleiding wordt vermeld. Bezoek onze website [www.blackanddecker.nl](http://www.blackanddecker.nl), waar u uw nieuwe Black & Decker-product kunt registreren en het laatste nieuws vindt over nieuwe producten en speciale aanbiedingen.

(Traducción de las instrucciones originales)

**ESPAÑOL**

## Uso previsto

El taladro BL186 de BLACK+DECKER ha sido diseñado para aplicaciones de atornillado y de taladrado de madera, metales y plásticos. Esta herramienta ha sido concebida únicamente para uso doméstico.

## Instrucciones de seguridad

### Advertencias de seguridad para herramientas eléctricas en general



**¡Advertencia! Lea todas las advertencias de seguridad, instrucciones, ilustraciones y especificaciones suministradas con esta herramienta eléctrica.** El incumplimiento de las instrucciones que se indican a continuación puede causar descargas eléctricas, incendios y/o lesiones graves.

**Guarde todas las advertencias e instrucciones para futuras consultas.** El término "herramienta eléctrica" empleado en las advertencias indicadas a continuación se refiere a la herramienta eléctrica con alimentación de red (con cable) o alimentada por batería (sin cable).

### 1. Seguridad del área de trabajo

- Mantenga su área de trabajo limpia y bien iluminada.** Las áreas en desorden u oscuras pueden provocar accidentes.
- No utilice la herramienta eléctrica en un entorno con peligro de explosión, en el que se encuentren líquidos, gases o material en polvo inflamables.** Las herramientas eléctricas originan chispas que pueden inflamar el polvo o los gases.
- Cuando utilice la herramienta eléctrica, mantenga alejados a los niños y a otras personas del área de trabajo.** Las distracciones pueden causar la pérdida del control de la herramienta.

**2. Seguridad eléctrica**

- a. **El enchufe de la herramienta eléctrica debe corresponder a la toma de corriente utilizada. No modifique nunca el enchufe de ninguna forma. No utilice ningún enchufe adaptador con las herramientas eléctricas conectadas a tierra (puestas a masa).** Los enchufes no modificados y las tomas de corriente compatibles reducen el riesgo de descarga eléctrica.
- b. **Evite el contacto corporal con superficies conectadas a tierra o puestas a masa tales como tuberías, radiadores, cocinas y neveras.** Existe un mayor riesgo de descarga eléctrica si su cuerpo está conectado a tierra o puesto a masa.
- c. **No exponga la herramienta eléctrica a la lluvia o a condiciones de humedad.** Si entra agua en una herramienta eléctrica, aumenta el riesgo de descarga eléctrica.
- d. **Cuide el cable de alimentación. No use nunca el cable para transportar, tirar de la herramienta eléctrica o desenchararla. Mantenga el cable alejado del calor, aceite, bordes afilados y piezas en movimiento.** Los cables dañados o enredados aumentan el riesgo de descarga eléctrica.
- e. **Si trabaja con la herramienta eléctrica en el exterior, utilice solamente cables de prolongación homologados para uso en exteriores.** La utilización de un cable adecuado para uso en exteriores reduce el riesgo de descarga eléctrica.
- f. **Si la utilización de una herramienta eléctrica en un lugar húmedo es inevitable, utilice una fuente protegida con un dispositivo diferencial residual (DDR).** El uso de un DDR reduce el riesgo de descarga eléctrica.

**3. Seguridad personal**

- a. **Esté atento a lo que hace y utilice la herramienta eléctrica con prudencia. No maneje una herramienta eléctrica cuando esté cansado o bajo los efectos de drogas, medicamentos o alcohol.** Un momento de desatención cuando se manejan herramientas eléctricas puede ocasionar lesiones personales graves.
- b. **Utilice equipo de seguridad personal. Utilice siempre protección ocular.** El uso de equipo de protección, como mascarillas antipolvo, calzado antideslizante, casco o protección auditiva para las condiciones apropiadas reduce la posibilidad de sufrir lesiones corporales.
- c. **Impida que la herramienta se ponga en marcha accidentalmente. Asegúrese de que el interruptor se encuentre en la posición de apagado antes de conectar la herramienta a la fuente de alimentación o a la batería, o de coger o transportar la herramienta.**

Transportar herramientas eléctricas con el dedo puesto en el interruptor o herramientas eléctricas activadoras que tengan el interruptor encendido puede provocar accidentes.

- d. **Saque las llaves de ajuste o llaves inglesas antes de encender la herramienta eléctrica.** Dejar una llave inglesa u otra llave puesta en una pieza giratoria de la herramienta eléctrica puede ocasionar lesiones personales.
- e. **No se estire demasiado. Mantenga un equilibrio adecuado y la estabilidad constantemente.** Esto permite un mejor control de la herramienta eléctrica en situaciones inesperadas.
- f. **Use la vestimenta adecuada. No se ponga ropa suelta o joyas. Mantenga el cabello, la ropa y los guantes alejados de las piezas en movimiento.** La ropa suelta, las joyas y el pelo largo pueden quedar atrapados en las piezas móviles.
- g. **Siempre que sea posible utilizar equipos de aspiración o captación de polvo, asegúrese de que estos estén conectados y que se utilicen correctamente.** El uso de equipo de recogida de polvo puede reducir los riesgos relacionados con el polvo.
- h. **Evite que la familiaridad adquirida con el uso frecuente de las herramientas le haga confiarse demasiado e ignorar las principales normas de seguridad de las herramientas.** Una utilización descuidada puede provocar lesiones graves en cuestión de segundos.

**4. Uso y cuidado de herramientas eléctricas**

- a. **No sobrecargue la herramienta eléctrica. Use la herramienta eléctrica correcta para su trabajo.** La herramienta eléctrica correcta funcionará mejor y con mayor seguridad si se utiliza de acuerdo con sus características técnicas.
- b. **No utilice la herramienta eléctrica si esta no se puede encender y apagar con el interruptor.** Toda herramienta eléctrica que no pueda controlarse con el interruptor es peligrosa y debe ser reparada.
- c. **Desconecte el enchufe de la fuente de alimentación y/o saque la batería de la herramienta, si es extraíble, antes de realizar cualquier ajuste, cambiar accesorios o guardar las herramientas eléctricas.** Tales medidas de seguridad preventivas reducen el riesgo de poner en marcha la herramienta eléctrica accidentalmente.
- d. **Guarde la herramienta eléctrica fuera del alcance de los niños y de las personas que no estén familiarizadas con su uso ni con estas instrucciones.** Las herramientas eléctricas son peligrosas en manos de personas no capacitadas.



- e. **Realice el mantenimiento de las herramientas eléctricas y sus accesorios. Compruebe que las piezas móviles no estén desalineadas ni atascadas, que no haya piezas rotas y cualquier otra condición que pudiera afectar al funcionamiento de la herramienta eléctrica. Si la herramienta eléctrica está dañada, llévela para que sea reparada antes de utilizarla.** Muchos accidentes se producen por el mantenimiento inadecuado de las herramientas eléctricas.
- f. **Mantenga las herramientas de corte limpias y afiladas.** Las herramientas de corte con bordes afilados y correctamente mantenidas tienen menos probabilidad de bloquearse y son más fáciles de controlar.
- g. **Utilice la herramienta eléctrica, los accesorios, los utensilios de la herramienta, etc. de acuerdo con estas instrucciones, y tenga en cuenta las condiciones de trabajo y la tarea a realizar.**  
El uso de la herramienta eléctrica para operaciones que no sean las previstas puede ocasionar una situación peligrosa.
- h. **Mantenga las empuñaduras y las superficies de agarre secas, limpias y libres de aceite y grasa.** Las empuñaduras resbaladizas y las superficies engrasadas impiden aferrar y controlar la herramienta en situaciones imprevistas.

## 5. Uso y cuidado de la batería (solo para herramientas con batería)

- a. **Recargue exclusivamente con el cargador indicado por el fabricante.**  
Un cargador adecuado para un tipo de batería puede provocar riesgos de incendios al ser utilizado con otra batería.
- b. **Utilice herramientas eléctricas solamente cuando se especifique en la batería.** El uso de otras baterías puede suponer un riesgo de lesiones e incendio.
- c. **Cuando no se utilice la batería, manténgala alejada de objetos de metal como clips para papel, monedas, llaves, clavos, tornillos y otros pequeños objetos metálicos que pueden realizar una conexión de un terminal a otro.** Si se produce un cortocircuito entre los terminales de la batería, pueden ocasionarse incendios o quemaduras.
- d. **En condiciones abusivas, podrá salir líquido de la batería, evite el contacto. Si se produce un contacto accidental, lave con agua. Si el líquido se pone en contacto con los ojos, acuda además a un médico.** El líquido expulsado de la batería podrá provocar irritaciones o quemaduras.
- e. **No use la batería ni la herramienta si están dañadas o han sido modificadas.** Las baterías dañadas o modificadas pueden tener reacciones imprevistas y causar incendios, explosión o riesgo de lesiones.

- f. **No exponga la batería o la herramienta al fuego o a temperaturas excesivas.** La exposición al fuego o a una temperatura superior a 130 °C puede causar una explosión. NOTA: La temperatura "130 °C" puede sustituirse por la temperatura "265 °F".
- g. **Siga las instrucciones de carga y no cargue la batería o la herramienta fuera del intervalo de temperatura especificado en las instrucciones.** La carga incorrecta o fuera del rango de temperatura especificado puede dañar la batería y aumentar el riesgo de incendio.

## 6. Reparaciones

- a. **Haga reparar su herramienta eléctrica solo por personal técnico autorizado que emplee exclusivamente piezas de repuesto originales.** Así se asegurará que se mantenga la seguridad de la herramienta eléctrica.
- b. **Nunca repare la batería si está dañada.** La reparación de la batería puede ser efectuada únicamente por el fabricante o por los proveedores de servicio autorizados (se utiliza solo para herramientas de batería).

## Instrucciones de seguridad para todas las operaciones

- **Lleve protección acústica al realizar operaciones de perforación de impacto.** La exposición al ruido puede provocar pérdida de audición.
- **Sujete la herramienta eléctrica por la superficie de agarre aisladas cuando realice una operación en la que el accesorio de corte o el elemento de sujeción puedan entrar en contacto con cableado oculto.** El contacto del accesorio de corte o el elemento de sujeción con un cable bajo tensión puede hacer que las partes metálicas de la herramienta se carguen y produzcan una descarga al usuario.

## Instrucciones de seguridad para el uso de brocas largas

- **Nunca utilice una velocidad superior a la velocidad nominal máxima indicada para la broca.** A velocidades más altas, la broca podría doblarse si se le deja girar libremente sin entrar en contacto con la pieza de trabajo, y podría ocasionar lesiones personales.
- **Empiece a taladrar siempre a baja velocidad y poniendo la punta de la broca en contacto con la pieza de trabajo.** A velocidades más altas, la broca podría doblarse si se le deja girar libremente sin entrar en contacto con la pieza de trabajo, y podría ocasionar lesiones personales.
- **Aplique una presión no demasiado excesiva y solo en línea directa con la broca.** Las brocas pueden doblarse causando rotura o pérdida de control y lesiones personales.

### Advertencias de seguridad específicas adicionales para atornilladores/taladros/martillos

- Utilice fijaciones u otro tipo de método para fijar y apoyar la pieza de trabajo en una plataforma estable. Si sostiene la pieza de trabajo con las manos o con el cuerpo, la pieza quedará inestable y puede hacerle perder el control.
- Los accesorios y la herramienta pueden alcanzar altas temperaturas durante el funcionamiento. Lleve guantes cuando los manipule si realiza operaciones que produzcan calor como el taladrado de metales.
- Las ventilaciones cubren a menudo las piezas móviles y deberán evitarse. La ropa suelta, las joyas y el pelo largo pueden quedar atrapados entre las piezas móviles.
- Lleve gafas de seguridad u otro tipo de protección visual. Las operaciones de taladrado y perforado provoca el vuelo de astillas. Las partículas en vuelo pueden provocar daños oculares permanentes.
- Lleve protección acústica al realizar operaciones de perforación de impacto. La exposición al ruido puede provocar pérdida de audición.
- Utilice la o las empuñaduras auxiliares, si la herramienta las tiene. La pérdida de control puede provocar lesiones personales.
- No utilice esta herramienta durante largos periodos de tiempo. Las vibraciones provocadas por la acción del taladro pueden resultar perjudicial para los brazos y las manos. Utilice guantes para ofrecer una protección adicional y limite la exposición tomando periodos de descansos frecuentes.

### Seguridad de otras personas

- Esta herramienta puede ser usada por niños a partir de 8 años de edad y por personas con capacidades físicas, sensoriales o mentales disminuidas, o que carezcan de experiencia y conocimientos, si están supervisadas o han recibido formación con respecto al uso del aparato de una forma segura y que comprenden los peligros que entraña su uso.
- Los niños no deben jugar con el aparato. Los niños no deberán realizar las tareas de limpieza y mantenimiento de usuario, salvo que lo hagan bajo supervisión.

### Riesgos residuales

El uso de esta herramienta puede producir riesgos residuales adicionales no incluidos en las advertencias de seguridad adjuntas. Estos riesgos se pueden generar por un uso incorrecto, demasiado prolongado, etc.

El cumplimiento de las normas de seguridad correspondientes y el uso de dispositivos de seguridad no evitan ciertos riesgos residuales. Dichos riesgos incluyen:

- Lesiones producidas por el contacto con piezas móviles o giratorias.

- Lesiones producidas al cambiar cualquier pieza, hoja o accesorio.
- Lesiones producidas al usar una herramienta durante un tiempo demasiado prolongado. Si utiliza una herramienta durante periodos de tiempo demasiado prolongados, asegúrese de realizar pausas con frecuencia.
- Deterioro auditivo.
- Riesgos para la salud producidos al respirar el polvo que se genera cuando se utiliza la herramienta (ejemplo: en los trabajos con madera, especialmente si son de roble, haya y tableros de densidad mediana).

### Vibración

Los valores de emisión de vibraciones declarados en el apartado de características técnicas y en la declaración de conformidad se han calculado según un método de prueba estándar proporcionado por la norma EN62841 y pueden utilizarse para comparar una herramienta con otra. El valor de emisión de vibraciones especificado también puede utilizarse en una evaluación preliminar de la exposición.



**¡Advertencia!** El valor de emisión de vibraciones durante el funcionamiento real de la herramienta eléctrica puede diferir del valor declarado en función de cómo se utilice dicha herramienta. El nivel de las vibraciones puede aumentar por encima del nivel declarado.

Al evaluar la exposición a las vibraciones con el fin de determinar las medidas de seguridad que exige la directiva 2002/44/CE para proteger a las personas que utilizan periódicamente herramientas eléctricas en el entorno laboral, deberá tenerse en cuenta una estimación de la exposición a las vibraciones, las condiciones de uso reales y el modo de empleo de la herramienta, así como los pasos del ciclo operativo como, por ejemplo, el número de veces que la herramienta se apaga, el tiempo que está parada y el tiempo de activación.

### Etiquetas en la herramienta

Junto con el código de la fecha, en la herramienta aparecen los siguientes símbolos:



**¡Advertencia!** Para reducir el riesgo de lesiones, el usuario debe leer el manual de instrucciones.



No mire fijamente la luz de funcionamiento.

### Instrucciones de seguridad adicionales para baterías y cargadores

#### Baterías

- Jamás trate de abrirla por ninguna razón.
- No exponga las baterías al agua.

- No exponga la batería al calor.
- No las almacene en lugares en los que la temperatura pueda superar los 40 °C.
- Realice la carga únicamente a una temperatura ambiente de entre 10 °C y 40 °C.
- Utilice únicamente el cargador suministrado con el aparato o la herramienta para realizar la carga.
- Cuando vaya a desechar la batería, siga las instrucciones facilitadas en la sección "Protección del medioambiente".
- No dañe ni deforme la batería mediante perforaciones o golpes, ya que puede suponer un riesgo de incendio y de lesiones.
- No cargue baterías dañadas.
- Es posible que se produzcan fugas en las baterías en condiciones extremas. Cuando observe que se producen fugas en las baterías, limpie cuidadosamente el líquido con un paño. Evite el contacto con la piel.
- En caso de que se produzca contacto con la piel o los ojos, siga las instrucciones facilitadas a continuación.



**¡Advertencia!** El líquido de la batería puede provocar lesiones o daños materiales. En caso de contacto con la piel, lave la zona afectada con agua inmediatamente. Si se produce enrojecimiento, dolor o irritación, solicite atención médica.

En caso de contacto con los ojos, lave la zona inmediatamente con agua limpia y solicite atención médica.

### Cargadores

El cargador ha sido diseñado para un voltaje específico. Compruebe siempre que el voltaje de la red eléctrica corresponda al valor indicado en la placa de características.



**¡Advertencia!** No intente sustituir el cargador por un enchufe convencional para la red eléctrica.

- Utilice el cargador cargar únicamente la batería de la herramienta con la que fue suministrado. Otras baterías podrían explotar y provocar lesiones y daños materiales.
- Nunca intente cargar baterías no recargables.
- Si se daña el cable de alimentación, debe hacerlo sustituir por el fabricante o por un centro de asistencia técnica autorizado de Stanley, para evitar cualquier situación de riesgo.
- Sustituya los cables defectuosos inmediatamente.
- No exponga el cargador al agua.
- No abra el cargador.
- No aplique ningún dispositivo para medir la resistencia del cargador.
- El aparato, la herramienta o la batería deben colocarse en una zona correctamente ventilada durante la carga.



El cargador ha sido concebido para utilizarse únicamente en un lugar interior.

### Seguridad eléctrica



Este cargador está provisto de doble aislamiento, por lo que no requiere una toma de tierra. Compruebe siempre que el voltaje suministrado corresponda al indicado en la placa de características.

Si se daña el cable de alimentación, deberá ser sustituido por el fabricante o por un centro de asistencia técnica autorizado de BLACK+DECKER para evitar cualquier situación de riesgo.

### Características

Este aparato incluye una o más de las siguientes características.

1. Interruptor de gatillo
2. Botón de avance/retroceso
3. Collarín de ajuste de torsión
4. Selector de engranaje de doble serie
5. Mandril sin llave
6. Batería
7. Botón de liberación de la batería
8. Luz de trabajo LED
9. Portabroca

### Uso

**¡Advertencia!** Deje que la herramienta funcione a su ritmo. No la sobrecargue.

### Carga de la batería - Figura A

Es necesario cargar la batería antes del primer uso y cada vez que note que no dispone de suficiente potencia para las tareas que antes realizaba con facilidad. Es posible que la batería se caliente durante la carga; esto es normal y no denota ningún problema.

**¡Advertencia!** No cargue la batería si la temperatura ambiente es inferior a 10 °C o superior a 40 °C. La temperatura de carga recomendada es de aproximadamente 24 °C.

**Nota: El cargador no cargará la batería si la temperatura de la batería es inferior a 10 °C o superior a 40 °C aproximadamente.**

**Deje la batería en el cargador y este empezará a cargarla automáticamente cuando la temperatura de la batería aumente o disminuya.**

- ◆ Enchufe el cargador en cualquier toma de corriente estándar de 230 voltios, 50 Hz.
- ◆ Introduzca la batería en el cargador, tal como se muestra en la figura A.
- ◆ El LED indicador de carga verde parpadea para indicar que se está cargando la batería.
- ◆ Se indica que la carga ha terminado cuando el LED verde queda encendido fijo.

La batería estará cargada y podrá usarse, o dejarla en el cargador.

**Advertencia:** peligro de incendio. Cuando desconecte el cargador de la herramienta, asegúrese de haber desenchufado antes el cargador de la toma de corriente, después desenchufe el cable del cargador de la herramienta.

### Colocación de la batería - Figura B

- ◆ Inserte bien la batería en la herramienta hasta que oiga un clic, como se muestra en la figura B. Compruebe que la batería esté correctamente colocada y bloqueada en su posición.

### Extracción de la batería - Figura B inserto

- ◆ Presione el botón de liberación de la batería (7) como se muestra en la figura B1 y saque la batería de la herramienta.

### Interruptor de activación y botón de avance/retroceso - figura C

- ◆ El taladro se ENCIENDE y se APAGA tirando y soltando el gatillo (1) como se muestra en la figura C. Cuanto más se oprima el gatillo, mayor será la velocidad del taladro.
- ◆ Un botón de control de avance/retroceso (2) determina la dirección de la herramienta, a la vez que se utiliza como botón de desbloqueo.
- ◆ Para seleccionar el giro hacia delante, suelte el gatillo y pulse el botón de control de avance/retroceso ubicado en la parte derecha de la herramienta.
- ◆ Para seleccionar el sentido de retroceso, pulse el botón de control de avance/retroceso ubicado en la parte izquierda de la herramienta.
- ◆ La posición central del botón de control bloquea la herramienta en posición de apagado. Cuando cambie la posición del botón de control, compruebe que ha soltado el interruptor.

### Ajuste de control de par - figura D

Esta herramienta dispone de un collarín de ajuste de par (3) para seleccionar el modo de funcionamiento y ajustar el par de apriete de los tornillos. Los tornillos largos y las piezas de trabajo de materiales duros requieren un ajuste de par de torsión mayor que los tornillos pequeños y las piezas de trabajo de materiales blandos.

- ◆ Para taladrar madera, metal y plásticos, ajuste el collarín en el símbolo de posición de taladrado.
- ◆ Para atornillar, coloque el collarín en el ajuste deseado. Si no sabe cuál es el ajuste adecuado, proceda como sigue:
  - ◆ Coloque el collarín en el ajuste de par de torsión más bajo.
  - ◆ Apriete el primer tornillo.

- ◆ Si el embrague se ralentiza antes de obtener el resultado deseado, aumente el ajuste del collarín y siga apretando el tornillo.
- ◆ Repita la operación hasta obtener el ajuste correcto.
- ◆ Utilice este ajuste para los tornillos restantes.

### Interruptor de doble serie - figura E

La función de doble velocidad del taladro le permite aumentar las velocidades para gozar de una mayor versatilidad.

- ◆ Para seleccionar la velocidad baja y el ajuste de par alto (posición 1), apague la herramienta y espere a que se detenga. Deslice el botón de cambio de marcha (4) alejándolo del mandril.
- ◆ Para seleccionar la velocidad alta y el ajuste de par bajo (posición 2), apague la herramienta y espere a que se detenga. Vuelva a deslizar el botón de cambio de marcha hacia el mandril.

**Nota:** No cambie las velocidades cuando la herramienta esté funcionando. Si tiene algún problema al cambiar las velocidades, compruebe que la palanca de engranajes de doble serie esté completamente colocada hacia delante o hacia atrás.

### mandril sin llaves - figura F

**¡Advertencia!** Asegúrese de haber sacado el paquete de baterías para evitar que se active la herramienta antes de colocar o extraer los accesorios.

Para insertar una broca u otro accesorio:

- ◆ Sujete el mandril (5) y gírelo en el sentido contrario al de las agujas del reloj, como se muestra en el extremo del mandril.
- ◆ Introduzca la broca u otro accesorio completamente en el mandril y fíjelo bien girando el mandril en el sentido de las agujas del reloj, como se muestra desde el extremo del mandril.

**¡Advertencia!** No intente apretar o aflojar las brocas (ni cualquier otro accesorio) agarrando la parte frontal del mandril y encendiendo la herramienta. Al cambiar los accesorios se puede dañar el portabroca y se pueden producir lesiones personales.

### Atornillado

- ◆ Para atornillar fijaciones, el botón de avance/retroceso debe pulsarse hacia la izquierda.
- ◆ Use el botón de retroceso (pulsando hacia la derecha) para extraer las fijaciones.

**Nota:** Cuando cambie de avance a retroceso o viceversa, siempre, suelte siempre antes el gatillo.

### Taladrado

- ◆ Utilice solo brocas afiladas.
- ◆ Apoye y fije correctamente la pieza de trabajo, como se indica en las instrucciones de seguridad.

- ◆ Utilice el equipo de seguridad requerido apropiado, como se indica en las instrucciones de seguridad.
- ◆ Cuide y mantenga el lugar de trabajo como se indica en las instrucciones de seguridad.
- ◆ Realice el taladrado muy lentamente, ejerciendo una ligera presión, hasta que el agujero sea suficientemente grande para que la broca no se deslice hacia fuera.
- ◆ Ejercer la presión en línea recta con la broca. Presione lo suficiente para que la broca continúe perforando, pero no demasiado para evitar que el motor se paralice o que la broca se desvíe.
- ◆ Sujete el taladro firmemente con las dos manos, con una mano en la empuñadura y la otra agarrando la parte inferior alrededor de la batería, o utilice la empuñadura auxiliar, si la hubiese.
- ◆ **NO PULSE REITERADAMENTE EL GATILLO DE ENCENDIDO Y APAGADO DE UN TALADRO PARADO CON LA INTENCIÓN DE ACCIONARLO. PODRÍAN PRODUCIRSE DAÑOS EN EL TALADRO.**
- ◆ Para reducir al mínimo las paradas durante el avance rápido, disminuya la presión y taladre lentamente la última parte del orificio.
- ◆ Mantenga el motor en funcionamiento mientras extrae la broca del orificio. De este modo, evitará que se produzcan atascos.
- ◆ Compruebe que el interruptor encienda y apague el taladro.

### Perforar madera

Los orificios en la madera pueden realizarse con las mismas brocas helicoidales utilizadas para el metal o con brocas de pala. Las brocas deben estar afiladas y es necesario extraerlas frecuentemente cuando se realizan las perforaciones con el fin de eliminar las astillas de las ranuras del taladro.

### Perforar metales

Utilice un lubricante de corte cuando perfore metales. Las excepciones son el latón y la fundición, que deberán perforarse en seco. Los lubricantes de corte que funcionan mejor son a base de aceite de corte sulfurizado.

### Luz de trabajo LED

Cuando el taladro se activa tirando el interruptor de activación (1), la luz de trabajo de LED integrada (8) iluminará automáticamente el área de trabajo.

**Nota:** La luz de trabajo sirve para alumbrar la superficie de trabajo inmediata y no puede utilizarse como luz de alumbrado.

### Portaherramienta

En la base de la herramienta hay una ranura portaherramienta (9).

## Resolución de problemas

Problema	Causa posible	Posible solución
La unidad no arranca.	La batería no se ha instalado correctamente.  La batería no está cargada.	Compruebe la instalación de la batería.  Compruebe los requisitos de carga de la batería.
La unidad se enciende inmediatamente después de introducir la batería.	El interruptor se dejó en la posición "encendido".	El interruptor debe colocarse en "apagado" para evitar que la herramienta se encienda inmediatamente al insertar la batería.
La batería no se carga.	No se ha insertado la batería en el cargador.  El cargador no está enchufado.  La temperatura del aire circundante es demasiado caliente o demasiado fría.	Inserte la batería en el cargador hasta que se encienda el indicador LED del cargador.  Enchufe el cargador en una toma de corriente que funcione.  Desplace el cargador y la batería a un lugar con temperatura ambiente superior a 40 °F (45 °C) o inferior a 105 °F (+40.5 °C)
La unidad se apaga repentinamente.	La batería ha alcanzado su máximo límite térmico.  Descargada. (Para maximizar la vida útil de la batería, esta ha sido diseñada para apagarse inmediatamente cuando se agota la carga)	Deje que la batería se enfríe.  Colóquela en el cargador y déjela cargar.

## Mantenimiento

Su herramienta BLACK+DECKER ha sido diseñada para funcionar durante un largo período de tiempo con un mantenimiento mínimo. El funcionamiento satisfactorio y continuo depende del buen cuidado de la herramienta y de una limpieza frecuente.

El cargador no requiere ningún mantenimiento especial excepto la limpieza periódica.

**¡Advertencia!** Antes de realizar alguna operación de mantenimiento en la herramienta, extraiga la batería. Desenchufe el cargador antes de limpiarlo.

- ◆ Limpie de forma periódica las ranuras de ventilación de la herramienta y el cargador con un cepillo blando o un paño seco.
- ◆ Limpie periódicamente la carcasa del motor con un paño húmedo.  
No utilice limpiadores abrasivos o a base de disolventes.
- ◆ Abra periódicamente el portabrocas y golpéelo suavemente para eliminar los restos de polvo que contenga en su interior.

## Protección del medioambiente



Recogida selectiva. Los productos y las baterías marcadas con este símbolo no se deben eliminar con los residuos domésticos normales.

Los productos y las baterías que contienen materiales que se puedan recuperar o reciclar reducen la demanda de materias primas.

Recicle los productos eléctricos y las baterías de conformidad con la normativa local. Puede obtener más información en [www.2helpU.com](http://www.2helpU.com)

### Datos técnicos

BL186 H2		
Tensión	V <sub>CC</sub>	18 V
Velocidad en vacío	Min <sup>-1</sup>	0-450 / 0-1800
Par de torsión máximo	Nm	52
Capacidad del portabroca	mm	13
Capacidad máxima de perforación		
Acero/madera	mm	13/35
Peso	kg	1.08 (1.46 con la batería)

Cargador	905902**	906349**
Voltaje de entrada	V <sub>CA</sub> 100 - 240	220 - 240
Voltaje de salida	V <sub>CC</sub> 8 - 20	8 - 20
Corriente	mA 400	1000
Tiempo de carga aproximado	H 4 - 10	1,5 - 4

Batería	BL1518	BL2018	BL4018
Tensión	V <sub>CC</sub> 18	18	18
Capacidad	Ah 1,5	2,0	4,0
Tipo	iones de litio	iones de litio	iones de litio

Nivel de presión acústica de acuerdo con la norma EN 62841:	
Presión acústica (L <sub>pa</sub> )	67 dB(A), incertidumbre (K) 5 dB(A)
Potencia acústica (L <sub>wa</sub> )	78 dB(A), incertidumbre (K) 5 dB(A)

Valores totales de vibración (suma vectorial triaxial) de acuerdo con la directiva EN 62841:	
Perforación de metal (a <sub>h,D</sub> )	1.7 m/s <sup>2</sup> , incertidumbre (K) 1.5 m/s <sup>2</sup>

## Declaración de conformidad CE

DIRECTIVA DE MÁQUINAS



Taladro BL186

Black & Decker declara que los productos descritos en «Datos técnicos» cumplen las siguientes normas: 2006/42/CE, EN62841-1:2015, EN62841-2-1:2018+A11:2019, Estos productos también cumplen las directivas 2014/30/UE y 2011/65/UE.

Para más información, póngase en contacto con Black & Decker en la siguiente dirección o consulte la parte posterior del manual.

El abajo firmante es el responsable de la compilación del archivo técnico y realiza esta declaración en representación de Black & Decker.

*Patrick Diepenbach*

Patrick Diepenbach  
General Manager, Benelux  
Black and Decker,  
Egide Walschaertsstraat 14-18  
2800 Mechelen, Bélgica  
30/11/2021

## Garantía

Black & Decker confía en la calidad de sus productos y ofrece a los consumidores una garantía de 24 meses a partir de la fecha de compra. Esta garantía es adicional a sus derechos legales y no los menoscaba en modo alguno. La garantía es válida dentro de los territorios de los Estados Miembros de la Unión Europea y del Área de Libre Comercio Europea.

Para reclamar la garantía, la reclamación se debe presentar de conformidad con las condiciones de Black & Decker. Tendrá que adjuntar un justificante de compra al vendedor o al agente técnico autorizado.

Las condiciones de la garantía de 2 años de Black & Decker y la ubicación de su agente técnico autorizado más cercano se pueden obtener en Internet en [www.2helpU.com](http://www.2helpU.com) o poniéndose en contacto con su oficina local de Black & Decker en la dirección que se indica en este manual.

Visite nuestro sitio web [www.blackanddecker.co.uk](http://www.blackanddecker.co.uk) para registrar su nuevo producto Black & Decker y recibir noticias sobre nuevos productos y ofertas especiales.

## Utilização pretendida

O seu berbequim BLACK+DECKER BL186 foi concebido para aparafusar e para perfurar madeira, metal e plástico. Esta ferramenta destina-se apenas a utilização doméstica.

## Instruções de segurança

### Avisos de segurança gerais sobre ferramentas eléctricas



**Atenção! Leia todos os avisos de segurança, instruções, ilustrações e especificações fornecidas com esta ferramenta eléctrica.** O não cumprimento de todas as instruções indicadas abaixo pode resultar em choque eléctrico, incêndio e/ou ferimentos graves.

**Guarde todos os avisos e instruções para futura referência.** A expressão "ferramenta eléctrica" indicada em todos os avisos refere-se a ferramentas eléctricas com ligação à corrente eléctrica (com fio) ou com bateria (sem fios).

#### 1. Segurança na área de trabalho

- a. **Mantenha a área de trabalho limpa e bem iluminada.** As áreas desarrumadas ou escuras são propensas a acidentes.
- b. **Não trabalhe com ferramentas eléctricas em áreas com risco de explosão, nas quais se encontrem líquidos, gases ou poeiras inflamáveis.** As ferramentas eléctricas produzem faíscas que podem inflamar estas poeiras ou vapores.
- c. **Quando utilizar a ferramenta eléctrica, mantenha as crianças e outras pessoas afastadas.** As distrações podem causar perda de controlo da ferramenta.

#### 2. Segurança eléctrica

- a. **As fichas das ferramenta eléctrica devem caber na tomada. Nunca modifique a ficha.** Não utilize fichas adaptadoras com ferramentas eléctricas ligadas à terra. As fichas não modificadas e as tomadas compatíveis reduzem o risco de choque eléctrico.
- b. **Evite que o corpo entre em contacto com superfícies ligadas à terra, como tubos, radiadores, fogões e frigoríficos.** Se o seu corpo estiver "ligado" à terra, o risco de choque eléctrico é maior.
- c. **As ferramentas eléctricas não podem ser expostas à chuva ou à humidade.** A entrada de água numa ferramenta eléctrica aumenta o risco de choque eléctrico.
- d. **Manuseie o cabo com cuidado. Nunca o utilize para transportar, puxar ou desligar a ferramenta eléctrica.** Mantenha o cabo afastado de fontes de calor, substâncias oleosas, arestas afiadas ou peças móveis.

Os cabos danificados ou emaranhados aumentam o risco de choque eléctrico.

- e. **Quando trabalhar com uma ferramenta eléctrica ao ar livre, utilize uma extensão adequada para essa finalidade.** A utilização de um cabo adequado para uso ao ar livre reduz o risco de choque eléctrico.
  - f. **Se for inevitável trabalhar com uma ferramenta eléctrica num local húmido, utilize um dispositivo de corrente residual (DCR).** A utilização de um DCR reduz o risco de choque eléctrico.
- ### 3. Segurança pessoal
- a. **Esteja sempre atento, preste atenção ao que está a fazer e seja prudente quando trabalhar com uma ferramenta eléctrica.** Não utilize uma ferramenta eléctrica quando estiver cansado ou sob o efeito de drogas, álcool ou medicamentos. Um momento de distração durante a utilização de ferramentas eléctricas pode resultar em ferimentos graves.
  - b. **Use equipamento de protecção individual. Use sempre protecção ocular.** O equipamento de protecção, como, por exemplo, uma máscara de poeiras, sapatos de segurança antiderrapantes, um capacete de segurança ou uma protecção auditiva, utilizado nas condições adequadas, reduz o risco de ferimentos.
  - c. **Evite arranques involuntários. Assegure-se de que o gatilho está desligado antes de ligar a ferramenta à corrente eléctrica e/ou as baterias e antes de levantar ou transportar a ferramenta.** Se mantiver o dedo sobre o gatilho quando transportar ferramentas eléctricas ou se ligá-las à fonte de alimentação com o gatilho ligado, pode causar acidentes.
  - d. **Retire qualquer chave de ajuste ou chave de porcas antes de ligar a ferramenta eléctrica.** Uma chave de fendas ou de ajuste fixada numa peça rotativa da ferramenta eléctrica pode causar ferimentos.
  - e. **Não se estique demasiado quando trabalhar com a ferramenta. Mantenha sempre os pés bem apoiados e um equilíbrio adequado.** Desta forma, é mais fácil controlar a ferramenta eléctrica em situações inesperadas.
  - f. **Use vestuário adequado. Não use roupa larga ou jóias.** Mantenha o cabelo, a roupa e as luvas afastados das peças móveis. As roupas largas, jóias ou o cabelo comprido podem ficar presos nestas peças.
  - g. **Se for prevista a montagem de dispositivos de extracção e recolha de pó, assegure-se de que estão ligados e que são utilizados de forma correcta.** A utilização de dispositivos de extracção de partículas pode reduzir os riscos relacionados com as mesmas.

- h. Não permita que o facto de estar familiarizado com a utilização frequente das ferramentas o torne complacente e ignore os princípios de segurança da ferramenta.** Uma acção irreflectida pode causar ferimentos graves numa fracção de segundos.
- 4. Utilização e manutenção da ferramenta eléctrica**
- a. Não sobrecarregue a ferramenta eléctrica. Utilize a ferramenta eléctrica correcta para o seu trabalho.** A ferramenta eléctrica adequada efectua o trabalho de um modo mais eficiente e seguro se for utilizada de acordo com a capacidade para a qual foi concebida.
- b. Não utilize a ferramenta eléctrica se não conseguir ligar ou desligar o gatilho.** Qualquer ferramenta eléctrica que não possa ser controlada através do gatilho é perigosa e tem de ser reparada.
- c. Retire a ficha da tomada de electricidade e/ou a bateria da ferramenta eléctrica, caso seja possível fazê-lo, da ferramenta eléctrica antes de efectuar quaisquer ajustes, substituir acessórios, ou guardar ferramentas eléctricas.** Estas medidas de segurança preventivas reduzem o risco de ligar a ferramenta eléctrica acidentalmente.
- d. Mantenha as ferramentas eléctricas que não estiverem a ser utilizadas fora do alcance de crianças. Não permita que a ferramenta eléctrica seja utilizada por pessoas não familiarizadas com a mesma ou que não tenham lido estas instruções.** As ferramentas eléctricas são perigosas nas mãos de pessoas que não possuam as qualificações necessárias para manuseá-las.
- e. Proceda à manutenção das ferramentas eléctricas e acessórios. Verifique se as partes móveis estão desalinhadas ou bloqueadas, se existem peças partidas ou qualquer outra situação que possa afectar o funcionamento das ferramentas eléctricas. Se a ferramenta eléctrica estiver danificada, esta não deve ser utilizada até que seja reparada.** Muitos acidentes são causados por ferramentas eléctricas com uma manutenção insuficiente.
- f. Mantenha as ferramentas de corte sempre afiadas e limpas.** As ferramentas de corte sujeitas a uma manutenção adequada, com arestas de corte afiadas, bloqueiam com menos frequência e controlam-se com maior facilidade.
- g. Utilize a ferramenta eléctrica, acessórios e peças de ferramenta de acordo com estas instruções, considerando as condições de trabalho e o tarefa a ser executada.**  
A utilização da ferramenta eléctrica para fins diferentes dos previstos pode resultar em situações perigosas.
- h. Mantenha os cabos e as superfícies de fixação secos, limpos e sem qualquer óleo ou gordura.** Se os punhos e as superfícies de prensão estiverem escorregadios, isso não permite um manuseamento e controlo seguros da ferramenta em situações inesperadas.
- 5. Utilização e cuidados a ter com a ferramenta com bateria (apenas para ferramentas com bateria)**
- a. Recarregue apenas com o carregador especificado pelo fabricante.**  
Um carregador adequado para um tipo de bateria pode causar um incêndio se for utilizado com outra bateria.
- b. Utilize ferramentas eléctricas apenas com baterias específicas.** A utilização de outras baterias pode causar ferimentos e incêndio.
- c. Quando uma bateria não estiver a ser utilizada, mantenha-a afastada de outros objectos metálicos como, por exemplo, cliques, moedas, chaves, pregos, parafusos ou outros pequenos objectos metálicos que possam fazer ligação de um terminal a outro.** O curto-circuito de terminais da bateria pode causar queimaduras ou incêndio.
- d. Em condições abusivas, pode derramar líquido da bateria, devendo evitar o contacto. Se tocar acidentalmente no líquido, lave bem com água. Se o líquido entrar em contacto com os olhos, consulte um médico.** O líquido derramado da bateria pode causar irritação ou queimaduras.
- e. Não utilize uma bateria ou uma ferramenta que esteja danificada ou modificada.** As baterias danificadas ou modificadas podem ter um comportamento imprevisível, podendo causar incêndio, explosão ou risco de ferimentos.
- f. Não exponha a bateria ou a ferramenta ao fogo ou a temperatura excessiva.** A exposição ou uma temperatura superior a 130 °C pode dar origem a uma explosão.  
NOTA: A temperatura "130 °C" pode ser substituída pela temperatura "265 °F".
- g. Siga todas as instruções de carregamento e não carregue a bateria ou a ferramenta fora da gama de temperaturas especificadas nas instruções.** Se o carregamento não for efectuado correctamente ou se a temperatura não estiverem de acordo com o limite especificado, a bateria pode ficar danificada e há um maior risco de incêndio.
- 6. Assistência**
- a. A ferramenta eléctrica deve ser reparada por técnicos qualificados que utilizem apenas peças de substituição iguais.** Desta forma, é garantida a segurança da ferramenta eléctrica.



- b. **Nunca repare baterias danificadas.** A reparação das baterias só deve ser efectuada pelo fabricante ou por fornecedor de serviços autorizado (apenas para ferramentas com bateria).

### Instruções de segurança para todas as operações

- **Use protecção auricular quando efectuar perfurações de impacto.** A exposição ao ruído pode causar perda auditiva.
- **Segure a ferramenta eléctrica pelas áreas isoladas quando executar uma operação em que o acessório de corte ou fixador possa entrar em contacto com a cablagem escondida.** O acessório de corte ou o fixador em contacto com um cabo "sob tensão" pode colocar as peças metálicas expostas da ferramenta eléctrica "sob tensão" e provocar um choque eléctrico no utilizador.

### Instruções de segurança quando utilizar brocas compridas

- **Nunca utilize a ferramenta a uma velocidade mais elevada do que a velocidade nominal máxima da broca.** A velocidades mais elevada, a broca pode ficar dobrada se rodar livremente sem tocar na peça, podendo causar ferimentos.
- **Inicie sempre a perfuração a uma velocidade reduzida e com a ponta da broca em contacto com a peça.** A velocidades mais elevada, a broca pode ficar dobrada se rodar livremente sem tocar na peça, podendo causar ferimentos.
- **Aplique pressão apenas em linha recta com a broca e não aplique pressão excessiva.** As brocas podem ficar dobradas e causar rotura ou perda de controlo, bem como ferimentos.

### Regras de segurança adicionais para berbequins/ martelos de perfuração

- Utilize grampos ou outro sistema para fixar e apoiar a peça numa plataforma estável. Segurar a peça com a mão ou contra o corpo pode causar instabilidade e perda de controlo.
- Os acessórios e a ferramenta podem ficar quentes durante a operação. Use luvas quando os utilizar se efectuar aplicações de produção de calor, como perfuração de metais.
- As saídas de ventilação frequentemente obstruem as peças em movimento e devem ser evitadas. As roupas largas, jóias ou o cabelo comprido podem ficar presos nas peças móveis.
- Use óculos de segurança ou outra protecção ocular. As operações de batimento com o martelo ou de perfuração podem causar a projecção de aparas. As partículas projectadas podem causar danos oculares permanentes.

- Use protecção auricular quando efectuar perfurações de impacto. A exposição ao ruído pode causar perda auditiva.
- Utilize o(s) punho(s) auxiliar(es), caso tenha(m) sido fornecido(s) com a ferramenta. A perda de controlo pode causar lesões pessoais.
- Não utilize esta ferramenta durante longos períodos de tempo. A vibração causada pela acção do martelo pode ser prejudicial às suas mãos e braços. Use luvas para proporcionar uma protecção adicional e limite a exposição, fazendo pausas frequentes.

### Segurança de terceiros

- Este equipamento pode ser utilizado por crianças com 8 anos de idade ou mais e por pessoas que apresentem capacidades físicas, sensoriais ou mentais reduzidas ou que não possuam os conhecimentos e a experiência necessários, se forem vigiadas e instruídas acerca da utilização do equipamento de uma forma segura e entenderem os perigos envolvidos.
- As crianças não devem mexer no equipamento. A limpeza e manutenção não devem ser efectuadas por crianças sem supervisão.

### Riscos residuais

Podem surgir riscos residuais adicionais durante a utilização da ferramenta, que podem não constar nos avisos de segurança incluídos. Estes riscos podem resultar de má utilização, uso prolongado, etc.

Mesmo que os regulamentos de segurança relevantes sejam cumpridos e os dispositivos de segurança sejam implementados, alguns riscos residuais não podem ser evitados. Estes incluem:

- Ferimentos causados pelo contacto com peças em rotação/movimento.
- Ferimentos causados durante a substituição de peças, lâminas ou acessórios.
- Ferimentos causados pela utilização prolongada de uma ferramenta. Se utilizar uma ferramenta durante períodos prolongados, certifique-se de que faz pausas regularmente.
- Danos auditivos.
- Problemas de saúde causados pela inalação de poeiras resultantes da utilização da ferramenta (exemplo: trabalhos em madeira, especialmente carvalho, faia e MDF).

### Vibração

Os valores da emissão de vibração declarados na secção de dados técnicos e na declaração de conformidade foram medidos de acordo com o método de teste padrão fornecido pela EN EN62841 e podem ser utilizados para comparar ferramentas.

O valor da emissão de vibração declarado pode ainda ser utilizado numa avaliação preliminar de exposição.



**Atenção!** O valor da emissão de vibração durante a utilização real da ferramenta eléctrica pode ser diferente do valor declarado, dependendo da forma como a ferramenta é utilizada. O nível de vibração pode aumentar acima do nível indicado.

Quando avaliar a exposição da vibração para determinar as medidas de segurança exigidas pela Directiva 2002/44/CE para proteger pessoas que utilizem frequentemente ferramentas eléctricas na sua actividade profissional, deve ser considerada uma estimativa de exposição de vibração, as condições reais de utilização e o modo de utilização da ferramenta, incluindo ainda todas as partes do ciclo de funcionamento, como os períodos de inactividade e espera da ferramenta, além do tempo de funcionamento.

### **Etiquetas colocadas na ferramenta**

A ferramenta apresenta os seguintes símbolos de aviso juntamente com o código de data:



**Atenção!** Para reduzir o risco de ferimentos, o utilizador deve ler o manual de instruções.



Não olhe fixamente para a luz de funcionamento

### **Instruções de segurança adicionais para baterias e carregadores**

#### **Baterias**

- Nunca abra a bateria, seja qual for o motivo.
- Não exponha a bateria à água.
- Não exponha a bateria ao calor.
- Não armazene em locais onde a temperatura possa exceder os 40°C.
- Carregue apenas a temperaturas ambiente entre 10 °C e 40 °C.
- Carregue apenas com o carregador fornecido com o equipamento/ferramenta.
- Ao eliminar as baterias, siga as instruções indicadas na secção "Protecção do ambiente".
- Não danifique a bateria por perfuração ou impacto, pois poderá originar risco de ferimentos e incêndio.
- Não carregue baterias danificadas.
- Em condições extremas, pode ocorrer uma fuga nas baterias. Se detectar fuga de electrólito das baterias, limpe o líquido cuidadosamente com um pano. Evite o contacto com a pele.
- Em caso de contacto com a pele ou com os olhos, siga as instruções seguintes.



**Atenção!** O electrólito da bateria pode causar ferimentos ou danos materiais. Em caso de contacto com a pele, enxágue imediatamente com água. Em caso de vermelhidão, dor ou irritação, contacte um médico.

Em caso de contacto com os olhos, enxágue imediatamente com água limpa e procure ajuda médica.

#### **Carregadores**

O carregador foi concebido para uma tensão específica. Verifique sempre se a tensão de alimentação corresponde à tensão indicada na placa sinalética.



**Atenção!** Nunca substitua a unidade do carregador por uma tomada de alimentação normal.

- Utilize o carregador apenas para carregar a bateria na respectiva ferramenta. Outras baterias podem reventar, provocando ferimentos e danos.
- Nunca tente carregar baterias não recarregáveis.
- Se o cabo de alimentação estiver danificado, deve ser substituído pelo fabricante ou por um centro de assistência autorizado para evitar acidentes.
- Substitua os cabos defeituosos imediatamente.
- Não exponha o carregador à água.
- Não abra o carregador.
- Não manipule o interior do carregador.
- O equipamento/ferramenta/bateria deve ser colocado numa área com boa ventilação durante o carregamento.



O carregador deverá ser utilizado apenas em espaços interiores.

#### **Segurança eléctrica**



Este carregador tem um isolamento duplo e, por isso, não é necessário um fio de terra. Verifique sempre se a tensão da tomada de electricidade corresponde à tensão indicada na placa com os requisitos de alimentação da ferramenta.

Se o cabo de alimentação estiver danificado, deve ser substituído pelo fabricante ou por um centro de assistência autorizado da BLACK+DECKER para evitar acidentes.

#### **Componentes**

Este equipamento inclui todos ou parte dos seguintes acessórios.

1. Botão de Gatilho
2. Botão de avanço/recuo
3. Botão de ajuste de binário
4. Alavanca de velocidades de dupla amplitude
5. Mandril sem chave
6. Bateria

7. Patilha de desbloqueio da bateria
8. Luz de trabalho LED
9. Suporte das brocas

## Utilização

**Atenção!** Não altere o ritmo de funcionamento da ferramenta. Não sobrecarregue.

### Carregar a bateria - Figura A

A bateria tem de ser carregada antes da primeira utilização e sempre que não conseguir produzir potência suficiente em trabalhos anteriormente feitos sem dificuldade. As baterias podem aquecer durante o carregamento. Isto é normal e não indica um problema.

**Atenção!** Não carregue a bateria a temperaturas ambiente inferiores a 10 °C ou superiores a 40 °C. Temperatura de carregamento recomendada: aproximadamente 24 °C.

**Nota: O carregador não carrega a bateria se a temperatura das células for inferior a 10 °C ou superior a 40 °C.**

**A bateria não deve ser retirada do carregador para que este comece a carregar automaticamente quando a temperatura das células aquecer ou arrefecer.**

- ◆ Ligue o carregador a qualquer tomada eléctrica padrão de 230 volts, 50 Hz.
- ◆ Deslize a bateria no carregador, como indicado na Figura A.
- ◆ O LED verde começa a piscar, isso significa que a bateria está a carregar.
- ◆ A conclusão do processo de carga é indicado pelo LED verde que permanece continuamente. A bateria fica totalmente carregada e pode ser utilizada nesta altura ou pode deixá-la no carregador.

**Atenção!** Risco de incêndio. Quando desligar o carregador da ferramenta, certifique-se de que o desliga primeiro da tomada e depois desligue o cabo do carregador da ferramenta.

### Instalar a bateria - Figura B

- ◆ Insira a bateria com firmeza na ferramenta até ouvir um clique, como indicado na Figura B. Certifique-se de que a bateria fica totalmente inserida e fixada na respectiva posição.

### Instalar a bateria - Figura B

- ◆ Prima a patilha de libertação da bateria (7), como indicado na Figura B1 e retire a bateria da ferramenta.

### Botão de gatilho e botão de avanço/recuo - Figura C

- ◆ O berbequim é ligado e desligado libertando o gatilho (1) apresentado na figura C. Quanto mais premir o gatilho, maior é a velocidade do berbequim.

- ◆ O botão de controlo de avanço/recuo (2) determina a direcção de rotação da ferramenta e serve igualmente de botão de desbloqueio.
- ◆ Para seleccionar a marcha directa, liberte o gatilho e empurre o botão de controlo de avanço/recuo no lado direito da ferramenta.
- ◆ Para seleccionar a marcha inversa, liberte o botão de controlo de avanço/recuo no lado esquerdo da ferramenta.
- ◆ A posição central do botão de controlo bloqueia a ferramenta na posição. Se alterar a posição do botão de controlo, certifique-se de que liberta o interruptor.

### Ajustar o controlo do binário - Figura D

Esta ferramenta é fornecida com um botão de ajuste de binário (3) para seleccionar o modo de funcionamento e definir o binário para apertar parafusos. Parafusos grandes e materiais duros requerem uma regulação de binário mais elevada do que parafusos pequenos e materiais mais macios.

- ◆ Para perfurar madeira, metal e plásticos, coloque o botão na posição com o símbolo de perfuração.
- ◆ Para aparafusar, coloque o botão na posição pretendida. Se ainda não souber qualquer é a regulação adequada, proceda do seguinte modo:
  - ◆ Coloque o botão na posição de binário mínimo.
  - ◆ Aperte o primeiro parafuso.
  - ◆ Se o mecanismo forçar antes de atingir o resultado pretendido, aumente a regulação do botão e continue a apertar o parafuso.
  - ◆ Repita até atingir a regulação correcta.
  - ◆ Utilize esta regulação para os restantes parafusos.

### Interruptor de dupla amplitude - Figura E

A função de duas velocidades do berbequim permite mudar de velocidade para uma maior versatilidade.

- ◆ Para seleccionar a velocidade baixa, regulação de binário elevado (posição 1), desligue a ferramenta e permita que a mesma pare. Faça deslizar o botão de mudança de velocidade (4) no sentido oposto ao do mandril.
- ◆ Para seleccionar a velocidade elevada, definição de binário baixo (posição 2), desligue a ferramenta e permita que a mesma pare. Faça deslizar o botão de mudança de velocidade para o mandril.

**Nota:** Não altere a velocidade quando a ferramenta estiver em funcionamento. Se tiver dificuldade em mudar de velocidade, certifique-se de que o botão de mudança de velocidade dupla está totalmente empurrado para a frente ou para trás.

### Mandril sem chave - Figura F

**Atenção!** Antes de retirar ou instalar acessórios, certifique-se de que retirou a ferramenta para impedir a activação acidental do interruptor de funcionamento.

Para inserir uma broca ou outro acessório:

- ◆ Segure o mandril (5) e rode-o na direcção contrária à

dos ponteiros do relógio, visto a partir da extremidade do mandril.

- ◆ Insira completamente a broca ou outro acessório no mandril e aperte com firmeza rodando o mandril na direcção dos ponteiros do relógio.

**Atenção!** Não tente apertar ou soltar as brocas (ou qualquer outro acessório) segurando na parte frontal do mandril e ligando a ferramenta. Pode danificar o mandril ou provocar ferimentos ao trocar acessórios.

**Aparafusar**

- ◆ Para apertar fixadores, o botão para a frente/para trás deve ser empurrado para a esquerda.
- ◆ Utilize o botão para trás (botão premido para a direita) para retirar os fixadores.

**Nota:** Quando mover a ferramenta de frente para trás, ou vice-versa, liberte sempre primeiro o botão do gatilho.

**Perfuração**

- ◆ Utilize apenas brocas afiadas.
- ◆ Apoie e fixe a peça correctamente, de acordo com as instruções de segurança.
- ◆ Utilize equipamento de segurança adequado e necessário, de acordo com as instruções de segurança.
- ◆ Apoie e fixe a área de trabalho, de acordo com as instruções de segurança.
- ◆ Coloque o berbequim a funcionar lentamente, com uma pressão ligeira, até o furo ser iniciado o suficiente para impedir o deslizamento da broca.
- ◆ Aplique pressão em linha recta com a broca. Aplique pressão suficiente para manter a broca a perfurar e para não encravar o motor ou desviar a broca.
- ◆ Segure o berbequim com firmeza com ambas as mãos, uma no punho e a outra a segurar na parte inferior à volta da bateria ou do punho auxiliar, caso tenha sido fornecido.
- ◆ **NÃO PRESSIONE O GATILHO DE UM BERBEQUIM BLOQUEADO NUMA TENTATIVA DE O FAZER ARRANCAR. DAÍ PODEM RESULTAR DANOS NO BERBEQUIM.**
- ◆ Minimize o encravamento na abertura do orifício, reduzindo a pressão e perfurando devagar na última parte do orifício.
- ◆ Mantenha o motor em funcionamento enquanto puxa a broca para fora de um orifício perfurado. Isto ajudará a reduzir o encravamento.
- ◆ Certifique-se de que o gatilho liga e desliga o berbequim.

**Perfurar madeira**

Os orifícios na madeira podem ser efectuados com as mesmas brocas utilizadas para perfurar metal ou com brocas espada.

Estas brocas deverão estar afiadas e devem ser retiradas

do orifício frequentemente, quando em utilização para limpar lascas das ranhuras.

**Perfurar em metal**

Utilize um lubrificante de corte para perfuração de metais.

As excepções incluem ferro fundido e latão, que devem ser perfurados a seco. Os lubrificantes de corte que obtêm melhores resultados são o óleo de corte sulfurado.

**Luz de trabalho LED**

Quando prime o botão de gatilho (1) para activar o berbequim, a luz de trabalho LED (8) integrada ilumina automaticamente a área de trabalho.

**Nota:** A luz de funcionamento permite iluminar a superfície de trabalho imediata e não se destina a ser utilizada como lanterna.

**Suporte das brocas**

A base da ferramenta tem uma ranhura de armazenamento de brocas (9) inserida.

**Resolução de problemas**

Problema	Causa possível	Possível solução
A unidade não é iniciada.	A bateria não está montada correctamente.  A bateria não pode ser carregada.	Verifique a instalação da bateria.  Verifique os requisitos para carregar a bateria
A unidade é iniciada de imediato depois de inserir a bateria	O interruptor foi deixado na posição "ligado".	O interruptor deve ser colocado na posição "desligado" para impedir que a ferramenta seja iniciada de imediato quando a bateria for inserida.
A bateria não irá ser carregada.	Bateria não introduzida no carregador.  Carregador não ligado.  A temperatura de ar circundante é demasiado quente ou fria.	Introduza a bateria no carregador até que o LED se acenda.  Ligue o carregador à tomada.  O carregador e a bateria devem estar a uma temperatura de ar circundante superior a 45 °C ou inferior a +40,5 °C
A unidade desliga-se de maneira abrupta.	A bateria atingiu o limite térmico máximo.  Sem carga. (Para maximizar a duração da bateria, esta foi concebida para desligar-se de maneira abrupta quando a carga ficar esgotada).	Deixe a bateria arrefecer.  Instale o carregador e aguarde até o equipamento estar carregado.

**Manutenção**

A ferramenta BLACK+DECKER foi concebida para funcionar durante muito tempo com um mínimo de manutenção.

Uma utilização continuamente satisfatória depende de uma

manutenção adequada da ferramenta e de uma limpeza frequente.

Além da limpeza frequente, o carregador não necessita de manutenção.

**Atenção!** Antes de ser realizada qualquer operação de manutenção na ferramenta, remova a bateria da ferramenta. Desligue o carregador antes de limpá-lo.

- ◆ Limpe regularmente as aberturas de ventilação da ferramenta e do carregador utilizando uma escova suave ou um pano seco.
- ◆ Limpe regularmente o compartimento do motor com um pano húmido. Não utilize produtos de limpeza abrasivos ou à base de dissolventes.
- ◆ Abra o mandril regularmente e sacuda para remover qualquer vestígio de pó do interior.

## Protecção do ambiente



Faça uma recolha de lixo selectiva. Os produtos e as baterias assinalados com este símbolo não devem ser eliminados juntamente com o lixo doméstico normal.

Os produtos e as baterias contêm materiais que podem ser recuperados ou reciclados, reduzindo assim a necessidade de matérias-primas. Recicle os produtos eléctricos e as baterias de acordo com as disposições locais. Estão disponíveis mais informações em [www.2helpU.com](http://www.2helpU.com)

## Dados técnicos

BL186 H2		
Tensão	$V_{CC}$	18 V
Velocidade sem carga	$Min^{-1}$	0-450 / 0-1800
Binário máx.	Nm	52
Capacidade do mandril	mm	13
Capacidade máx. de perfuração		
Aço/madeira	mm	13/35
Peso	kg	1,08 (1,46 com bateria)

Carregador	905902**	906349**
Tensão de entrada	$V_{CA}$ 100 - 240	220 - 240
Tensão de saída	$V_{CC}$ 8 - 20	8 - 20
Corrente	mA 400	1000
Tempo de carga aprox.	Horas 4 - 10	1,5 - 4

Bateria	BL1518	BL2018	BL4018
Tensão	$V_{CC}$ 18	18	18
Capacidade	Ah 1,5	2,0	4,0
Tipo	lões de lítio	lões de lítio	lões de lítio

Nível de pressão sonora de acordo com a norma EN 62841:

Pressão sonora ( $L_{pA}$ ): 67 dB(A), variabilidade (K): 5 dB(A)

Potência acústica ( $L_{WA}$ ): 78 dB(A), variabilidade (K): 5 dB(A)

Valores totais de vibração (soma de vectores triax) de acordo com a norma EN 62841:

Perfurar em metal ( $a_{hD}$ ) 1.7 m/s<sup>2</sup>, variabilidade (K): 1,5 m/s<sup>2</sup>

## Declaração de conformidade CE

DIRECTIVA "MÁQUINAS"



BL186 - Berbequim

A Black & Decker declara que os produtos descritos nos "dados técnicos" estão em conformidade com: 2006/42/CE, EN62841-1:2015, EN62841-2-1:2018+A11:2019, Estes produtos estão também em conformidade com as Directivas 2014/30/UE e 2011/65/UE.

Para obter mais informações, contacte a Black & Decker através do endereço seguinte ou consulte o verso do manual. O signatário é responsável pela compilação do ficheiro técnico e efetua esta declaração em nome da Black & Decker.

*Patrick Diepenbach*

Patrick Diepenbach  
Director-Geral, Benelux  
Black and Decker, Egide Walschaertsstraat 14-18  
2800 Mechelen, Bélgica  
30/11/2021

## Garantia

A Black & Decker confia na qualidade dos seus produtos e oferece aos clientes uma garantia de 24 meses a partir da data de compra. Esta garantia é um complemento dos seus direitos estabelecidos por lei, não os prejudicando de forma alguma. A garantia é válida nos Estados-membros da União Europeia e nos países-membros da Zona Europeia de Comércio Livre.

Para accionar a garantia, esta deve estar em conformidade com os termos e condições da Black&Decker e terá de apresentar o comprovativo de compra ao vendedor ou a um técnico de reparação autorizado.

Os termos e condições da garantia de 2 anos da Black&Decker e a localização do agente de reparação autorizado mais próximo podem ser obtidos na Internet em [www.2helpU.com](http://www.2helpU.com) ou contactando uma filial da Black & Decker, cuja morada está indicada neste manual.

Visite o nosso Website [www.blackanddecker.co.uk](http://www.blackanddecker.co.uk) para registar o novo produto Black & Decker e manter-se actualizado relativamente a novos produtos e ofertas especiais.

## Avsedd användning

Din Black+Decker BL186 från BLACK+DECKER bormaskin är avsedd för skruvdragnog och borrarng i trä, metall och plast. Detta verktyg är endast avsett för konsumentbruk.

## Säkerhetsinstruktioner

### Allmänna säkerhetsanvisningar för elverktyg



**Varning! Läs alla säkerhetsvarningar, instruktioner, illustrationer och specifikationer som levereras med detta elverktyg.** Underlåtenhet att läsa alla instruktioner som listas här nedan kan resultera i elektrisk stöt, eldsvåda och/eller allvarlig personskada.

**Spara alla säkerhetsföreskrifter och anvisningar för framtida bruk.** Begreppet "elverktyg" i alla varningar som listas nedan avser nätdrivna elverktyg (med nätsladd) och batteridrivna elverktyg (sladdlösa).

#### 1. Säkerhet på arbetsplatsen

- Håll arbetsområdet rent och ordentligt upplyst.** Belamrade och mörka områden inbjuder till olyckor.
- För att undvika explosionsrisk bör du inte använda elverktyget i omgivningar med brännbara vätskor, gaser eller damm.** Elverktyg skapar gnistor som kan antända damm eller ångor.
- Håll barn och andra personer på betryggande avstånd när du använder elverktyg.** Distractioner kan göra att du förlorar kontrollen.

#### 2. Elsäkerhet

- Elverktygets stickkontakt måste passa i eluttaget. Modifiera aldrig kontakten på något sätt.** Använd inga adapterkontakter tillsammans med jordade elverktyg. Løce modifierade kontakter och passande uttag minskar risken för elektrisk stöt.
- Undvik kroppskontakt med jordade ytor som t.ex. rör, värmeelement, spisar och kylskåp.** Det finns en ökad risk för elektrisk stöt om din kropp är jordansluten eller jordad.
- Skydda elverktyget mot regn och väta.** Vatten som kommer in i ett elverktyg ökar risken för elektrisk stöt.
- Hantera inte nätsladden ovarsamt. Använd aldrig sladden för att bära, dra eller koppla bort elverktyget från uttaget. Håll sladden borta från värme, olja, skarpa kanter eller rörliga delar.** Skadade eller tilltrasslade sladdar ökar risken för elektrisk stöt.
- Använd endast förlängningssladdar som är godkända för utomhusbruk när du arbetar med elverktyg utomhus.** Användning av en sladd som är lämplig för utomhusbruk minskar risken för elektriska stötar.

- Om du måste använda ett elverktyg på en fuktig plats ska du använda jordfelsbrytare.** Användning av en jordfelsbrytare minskar risken för elektrisk stöt.

#### 3. Personlig säkerhet

- Var uppmärksam, se på vad du gör och använd elverktyget med förnuft.** Använd inte ett elverktyg när du är trött eller påverkad av droger, alkohol eller mediciner. Ett ögonblicks uppmärksamhet när du arbetar med elektriska verktyg kan leda till allvarliga personskador.
  - Använd personlig skyddsutrustning. Använd alltid skyddsglasögon.** Skyddsutrustning såsom dammfilterskydd, halssäkra säkerhetsskor, skyddshjälm eller hörselskydd som används för lämpliga förhållanden minskar personskador.
  - Undvik oavsiktlig start. Kontrollera att strömbrytaren står i avstängt läge innan du ansluter verktyget till elnätet eller sätter i batteriet, samt innan du tar upp eller bär verktyget.** Att bära elektriska verktyg med fingret på strömbrytaren eller att koppla strömmen till elektriska verktyg när strömbrytaren är på leder till olyckor.
  - Ta bort alla inställningsverktyg och skruvnycklar innan du startar elverktyget.** Ett verktyg eller en nyckel som har lämnats kvar på en roterande del av det elektriska verktyget kan orsaka kroppsskador.
  - Bøj dig inte för långt. Ha ordentligt fotfäste och balans hela tiden.** Detta möjliggör bättre kontroll av elverktyget i oväntade situationer.
  - Klä dig på lämpligt sätt. Bär inte lösa kläder eller smycken. Håll hår, beklädnad och handskar borta från delar i rörelse.** Lösa kläder, smycken eller långt hår kan fastna i rörliga delar.
  - Om elverktyget har utrustning för dammsugning och -uppsamling ska du kontrollera att utrustningen är rätt monterad och används på korrekt sätt.** Användning av dammuppsamling kan minska dammrelaterade risker.
  - Låt inte erfarenheten som uppnås vid frekvent användning av verktyg låta dig bli för självsäker och ignorera verktygsäkerhetsprinciperna.** En oförsiktig handling kan orsaka allvarliga skador under bråkdelen av en sekund.
- #### 4. Användning och skötsel av elverktyg
- Överbelasta inte elverktyget. Använd rätt elverktyg för ditt arbete.** Det korrekta elverktyget gör arbetet bättre och säkrare vid den hastighet för vilket det konstruerades.
  - Använd inte elverktyget om det inte går att starta och stänga av det med strömbrytaren.** Ett elverktyg som inte kan kontrolleras med strömbrytaren är farligt och måste repareras.

- c. **Ta ur kontakten från strömkällan** och/eller batteriet från elverktuget, om det går att ta bort, innan du gör några justeringar, byter tillbehör eller lagrar elverktuget. Sådana förebyggande säkerhetsåtgärder minskar risken att oavsiktligt starta elverktuget.
- d. **Förvara elverktyg utom räckhåll för barn. Låt inte elverktuget användas av personer som inte är vana vid det, eller som inte läst denna bruksanvisning.** Elverktyg är farliga i händerna på ovana användare.
- e. **Underhåll elverktyg och tillbehör. Kontrollera att rörliga komponenter fungerar felritt och inte kärvar, att komponenter inte gått sönder eller skadats och inget annat föreligger som kan påverka elverktugets funktion. Om det är skadat, se till att elverktuget blir reparerat före användning.** Många olyckor orsakas av dåligt underhållna elektriska verktyg.
- f. **Håll skärverktyg vassa och rena.** Korrekt underhållna kapverktyg med vassa skär är mindre troliga att de fastnar och är lättare att kontrollera.
- g. **Använd elverktuget, tillbehör, insatsverktyg osv. enligt dessa anvisningar och på sätt som föreskrivits för aktuell verktygsmodell. Ta hänsyn till arbetsvillkoren och arbetsmomenten.**  
Användning av elverktuget för andra uppgifter än vad som avsetts kan resultera i farliga situationer.
- h. **Håll handtagen och greppytorna torra, rena och fria från olja och fett.** Hala handtag och greppytor förhindrar säker hantering och kontroll av verktyget i oväntade situationer.
- 5. Batteriverktyg användning och vård (använd endast för batteriverktyg)**
- a. **Ladda endast med den laddare som rekommenderas av tillverkaren.**  
En laddare som passar en batterityp kan medföra brandrisk om den används ihop med ett annat batteri.
- b. **Använd elverktuget endast med batterier som är speciellt avsedda för ändamålet.** Användning av andra batteripaket kan utgöra en risk för personskador och brand.
- c. **När batteriet inte används ska du hålla det åtskilt från metallföremål som gem, mynt, nycklar, spik, skruvar och andra små metallföremål som kan orsaka kortslutning mellan batteriets poler.** Kortslutning av batteripolerna kan leda till brännskador eller eldsvåda.
- d. **Under olämpliga förhållanden kan vätska spruta ut från batteriet. Undvik kontakt. Vid oavsiktlig kontakt, spola med vatten. Om vätskan kommer i kontakt med ögonen, sök också läkarhjälp.** Vätska som sprutar ur batteriet kan orsaka sveda och brännskador.
- e. **Använd inte batteripaket eller verktyg som är skadade eller modifierade.**

Skadade eller modifierade batterier kan uppvisa oförutsägbart beteende som kan leda till brand, explosion eller risk för skada.

- f. **Utsätt inte batteripaket eller verktyg för brand eller höga temperaturer.** Exponering för brand eller temperatur över 130 °C kan orsaka explosion. NOTERA: Temperaturen "130 °C" kan ersättas med temperaturen "265 °F".
- g. **Följ laddningsinstruktionerna och ladda inte batteripaketet eller verktyget utanför det temperaturområde som specificeras i instruktionerna.**  
Om du laddar batteriet felaktigt eller vid temperaturer utanför det angivna området kan det skada batteriet och öka risken för brand.
- 6. Service**
- a. **Låt elverktuget endast repareras av kvalificerad fackpersonal och med originalreservdelar.** Detta säkerställer att elverktugets säkerhet bibehålls.
- b. **Utför aldrig service på skadade batteripaket.** Service på batteripaket skall endast utföras av tillverkaren eller auktoriserad servicepersonal (endast för batteriverktyg).

#### Säkerhetsinstruktioner för all verksamhet

- **Använd hörselskydd vid slagborrning.** Att utsättas för buller kan leda till hörselskador.
- **Håll verktyget i de isolerade greppytorna vid arbete där skärtillbehöret eller chucken riskerar att komma i kontakt med dolda elledningar.** Om skärtillbehöret eller chocken går igenom en strömförande ledning kommer verktygets metalldelar att bli strömförande och ge dig en elektrisk stöt.

#### Säkerhetsinstruktioner när du använder långa borrbits

- **Kör aldrig med högre hastighet än borrbitsens maximala hastighet.** Vid högre hastigheter kommer bitsen troligen att böjas om den får rotera fritt utan att komma i kontakt med arbetsstycket, vilket kan resultera i personskada.
- **Börja alltid borra med låg hastighet och med bitpetsen i kontakt med arbetsstycket.** Vid högre hastigheter kommer bitsen troligen att böjas om den får rotera fritt utan att komma i kontakt med arbetsstycket, vilket kan resultera i personskada.
- **Tryck endast i direkt linje med bitsen och applicera inte för högt tryck.** Bits kan böjas och orsaka brott eller förlust av kontroll, vilket kan leda till personskada.

## Ytterligare specifika säkerhetsregler för bormaskiner/skruvdragare/slagbormaskiner

- Använd klämmor eller något annat praktiskt sätt att säkra och stödja arbetsstycket vid ett stabilt underlag. Att hålla arbetet för hand eller mot kroppen är instabilt och kan göra att du förlorar kontrollen.
- Tillbehör och verktyg kan bli heta under arbetet. Använd handskar vid hantering om arbete görs som producerar hetta såsom bormning i metall.
- Luftventiler täcker ofta rörliga delar och bör undvikas. Lösa kläder, smycken eller långt hår kan fastna i rörliga delar.
- Använd skyddsglasögon eller annat ögonskydd. Slagbormning och bormningsarbeten kan göra att flisor flyger omkring. Flygande partiklar kan orsaka permanenta ögonskador.
- Använd hörselskydd vid slagbormning. Att utsättas för buller kan leda till hörselskador.
- Använd hjälphanthandtag om de medföljer verktyget. Tappad kontroll kan orsaka personskador.
- Arbeta inte med verktyget under långa perioder. Vibrationer som orsakas av slagverktygets arbete kan vara skadligt för dina händer och armar. Använd handskar för att få extra stötdämpning och begränsa exponeringen genom att ta regelbundna pauser.

## Säkerhet för andra

- Denna apparat kan användas av barn från 8 år och personer med nedsatt fysisk eller psykisk förmåga eller bristande erfarenhet eller kunskap, om de övervakas eller får instruktioner om hur apparaten används och är medvetna om riskerna.
- Barn ska inte leka med apparaten. Rengöring och användarunderhåll ska inte utföras av barn utan övervakning.

## Återstående risker

Ytterligare risker som inte finns med i de bifogade säkerhetsanvisningarna kan uppstå när verktyget används. Dessa risker kan uppstå vid felaktig eller långvarig användning, etc.

Även om alla relevanta säkerhetsanvisningar följs och säkerhetsanordningar används kan vissa ytterligare risker inte undvikas. Dessa omfattar:

- Skador orsakade av att roterande/rörliga delar vidrörs.
- Skador som uppstår vid byte av delar, blad eller tillbehör.
- Skador som orsakas av långvarig användning av ett verktyg. Se till att regelbundet ta vilopauser när du använder ett verktyg under en längre period.
- Hörselnedsättning.
- Hälsorisker till följd av inandning av damm när redskapet används (exempel: arbete med trämaterial, särskilt ek, bok och MDF).

## Vibrationer

De vibrationsvärden som anges i avsnitten Tekniska data och deklARATIONEN om överensstämmelse har uppmätts i enlighet med en standardtestmetod föreskriven i EN62841 och kan användas för jämförelse med andra verktyg.

Det angivna vibrationsvärdet kan även användas för en preliminär bedömning av exponeringen.



**Varning!** Vibrationsvärdet under faktisk användning av elverktyget kan skilja sig från det uppgivna värdet beroende på hur verktyget används. Vibrationsnivån kan överstiga den uppgivna nivån.

Vid uppskattningar av exponering för vibrationer i syfte att bedöma vilka säkerhetsåtgärder som är nödvändiga enligt 2002/44/EG för att skydda personer som regelbundet använder elverktyg i arbetet ska man utgå från de faktiska omständigheter under vilka elverktyget används och sättet på vilket det används. Bedömningen ska även ta hänsyn till alla moment i arbetscykeln, t.ex. när verktyget är avstängt och när det går på tomgång såväl som när det faktiskt används.

## Etiketter på verktyget

Följande varningssymboler finns på verktyget, tillsammans med datumkoden:



**Varning!** Läs bruksanvisningen före användning för att minska risken för personskador.



Titta inte direkt in i arbetslampan

## Ytterligare säkerhetsinstruktioner för batterier och laddare

### Batterier

- Försök aldrig öppna batteriet.
- Utsätt inte batteriet för vatten.
- Utsätt inte batteriet för värme.
- Förvara inte på platser där temperaturen kan bli högre än 40 °C.
- Ladda endast vid temperaturer mellan 10 °C och 40 °C.
- Ladda endast med hjälp av laddaren som medföljer apparaten/verktyget.
- Följ instruktionerna som anges i avsnittet "Miljö" när du kastar batterierna.
- Skydda batteripaketet från skador/deformeringar i form av slag och stötar eftersom det kan leda till personskador eller eldsvåda.
- Ladda inte skadade batterier.
- Under extrema förhållanden kan batterierna läcka. Om det finns vätska på batterierna ska du torka bort vätskan försiktigt med en trasa. Undvik hudkontakt.
- Följ instruktionerna nedan vid kontakt med hud eller ögon.





**Varning!** Batterivätskan kan orsaka person- eller materialskador. Vid hudkontakt, skölj genast med vatten. Vid rodnader, smärta eller irritation ska läkare uppsökas.

Vid kontakt med ögon, skölj genast med rent vatten och uppsök läkare.

## Laddare

Laddaren är avsedd för en viss spänning. Kontrollera alltid att nätspänningen överensstämmer med spänningen på typskylten.



**Varning!** Försök aldrig byta ut laddaren mot en vanlig nätkontakt.

- Laddaren får bara användas för att ladda batteriet i det verktyg som laddaren levererades med. Andra batterier kan spricka och orsaka personsador och andra skador.
- Försök aldrig ladda batterier som inte är uppladdningsbara.
- Om nätsladden är skadad måste den bytas ut av tillverkaren eller ett auktoriserat servicecenter för att farliga situationer ska undvikas.
- Byt defekta sladdar omgående.
- Utsätt inte laddaren för vatten.
- Öppna inte laddaren.
- Gör ingen åverkan på laddaren.
- Redskapet/verktyget/batteriet ska placeras på en plats med god ventilation vid laddning.



Laddaren är endast avsedd för inomhusbruk.

## Elsäkerhet



Eftersom laddaren är dubbelisolerad behövs ingen jordledare. Kontrollera alltid så att spänningen på nätet motsvarar den spänning som finns angiven på märkplåten.

Om nätsladden är skadad måste den bytas ut av tillverkaren eller ett auktoriserat BLACK+DECKER-servicecenter för att undvika faror.

## Funktioner

Denna apparat har några eller samtliga av följande funktioner.

1. Strömbrytare
2. Knapp framåt/bakåt
3. Ring för justering av vridmomentet
4. Områdesväljare för dubbelväxel
5. Snabbchuck
6. Batteri
7. Batterilåsknapp
8. LED-arbetsbelysning
9. Bitshållare

## Användning

**Varning!** Låt verktyget arbeta i sin egen takt. Överbelasta inte.

### Ladda batteriet - figur A

Batteriet måste laddas innan det används för första gången och sedan varje gång som det inte ger tillräckligt hög effekt för arbeten som annars brukar gå bra. Batteriet kan bli varmt när det laddas. Det är normalt och innebär inte att något är fel.

**Varning!** Ladda inte batteriet om temperaturen i luften är lägre än 10 °C eller högre än 40 °C. Den rekommenderade laddningstemperaturen är cirka 24 °C.

**Notera: Laddaren laddar inte batteriet om celltemperaturen är lägre än ungefär 10 °C eller högre än 40 °C.**

**Batteriet får då sitta kvar i laddaren, som kommer att börja laddningen automatiskt när celltemperaturen har stigit eller sjunkit.**

- ◆ Koppla in laddaren i ett standardeluttag med 230 Volt 50 Hz.
- ◆ Sätt in batteripaketet i laddaren såsom visas i figur A.
- ◆ Den gröna LED:n blinkar, vilket indikerar att batteriet laddas.
- ◆ När laddningen är klar indikeras detta av att den gröna LED:n lyser kontinuerligt. Batteriet är fulladdat och kan nu användas eller lämnas i laddaren.

**Varning!** Brandrisk. När laddaren kopplas från verktyget, se till att koppla ur laddaren ur vägguttaget först, koppla sedan ifrån laddaren från verktyget.

### Installera batteripaket - figur B

- ◆ Sätt fast batteripaketet i verktyget tills ett ljudligt klick hörs, såsom visas i figur B. till att batteripaketet är helt isatt och låst på plats.

### För att ta bort batteripaketet - infällt figur B

- ◆ Tryck ned batterilåsknappen (7) såsom visas i figur B1 och dra bort batteripaketet från verktyget.

### Avtryckare och framåt-/bakåtknapp - figur C

- ◆ Borrmaskinen slås PÅ och stängs AV genom att trycka på eller släppa avtryckaren (1) såsom visas i figur C. Ju längre avtryckaren trycks in desto högre hastighet på borrmaskinen.
- ◆ Med framåt-/bakåtknappen (2) väljer man verktygets rotationsriktning, knappen fungerar även som låsknapp.
- ◆ För rotation höger (skruva in) släpp strömbrytaren och tryck på väljaren höger-/vänstergång på höger sida av verktyget.
- ◆ För rotation vänster tryck på väljaren höger-/vänstergång på vänster sida av verktyget.
- ◆ Den mittersta positionen låser verktyget i avstängt

läge. Vid byte av position av kontrollknappen se till att avtryckaren är släppt.

### Inställning av vridmomentkontrollen - figur D

Detta verktyg är utrustat med en inställningsring (3) för att välja driftläge och inställning av vridmomentet vid skruvdragning. Stora skruvar och dragning av skruvar i hårda material kräver ett högre vridmoment än små skruvar och mjuka material.

- ◆ Vid borring i trä, metall och plast vrider du ringen till läget med borrhetsymbolen.
- ◆ Vid skruvinfästning vrider du ringen till önskat läge. Om du inte vet vilket läge du ska välja gör du så här:
  - ◆ Ställ in hylsan på det lägsta vridmomentet.
  - ◆ Dra åt den första skruven.
  - ◆ Om kopplingen slår ifrån innan önskat resultat är uppnått ökar du ringinställningen och fortsätter att dra åt skruven.
  - ◆ Upprepa tills du hittat rätt inställning.
  - ◆ Använd denna inställning för de återstående skruvarna.

### Dubbel lägesomkopplare - figur E

Den här bormaskinen har två olika hastighetslägen, vilket gör den mer flexibel.

- ◆ För att välja en låg hastighet och högt vridmoment (position 1), stäng av verktyget och vänta tills det stannat. Skjut tillbaka hastighetsväljarknappen (4) bort från chucken.
- ◆ För att välja en hög hastighet och lågt vridmoment (position 2), stäng av verktyget och vänta tills det stannat. Skjut hastighetsväljaren (d) framåt (mot chucken).

**Notera:** Flytta inte hastighetsväljaren när verktyget är påslaget. Om du har problem med att växla, se till att hastighetsväljarknappen är tryckt antingen helt framåt eller helt bakåt.

### snabbchuck - figur F

**Varning!** Innan du monterar eller tar bort tillbehör ska du kontrollera att batteripaketet är borttaget.

Så här monterar du en borbitt eller annat tillbehör:

- ◆ Håll chucken (5) och vrid den moturs såsom visas från chuckänden.
- ◆ För in bitsen eller annat tillbehör helt i chucken och dra åt ordentligt genom att vrida chucken medurs såsom visas från chuckänden.

**Varning!** Försök inte att dra åt eller lossa borrhetspitsar (eller något annat tillbehör) genom att greppa chuckens framdel och sätta igång verktyget. Personskador eller skador på chucken kan uppstå om tillbehör byts på detta sätt.

### Skruvdragning

- ◆ Vid idragning av fästdon ska knappen framåt/bakåt vara skjuten åt vänster.

- ◆ Använd bakåt (knappen skjuten åt höger) för borttagning av fästdon.

**Notera:** Vid ändring från framåt till bakåt eller vice versa, släpp alltid avtryckaren först.

### Borring

- ◆ Använd endast vassa borbitts.
- ◆ Stöd och fäst arbetsstycket ordentligt såsom instrueras i säkerhetsinstruktionerna.
- ◆ Använd lämplig och den säkerhetsutrustning som krävs såsom instrueras i säkerhetsinstruktionerna.
- ◆ Säkra och håll arbetsområdet såsom instrueras i säkerhetsinstruktionerna.
- ◆ Kör borren mycket sakta, använd lätt tryck tills hålet är tillräckligt stort för att hålla kvar borbittsen.
- ◆ Tryck i en rak linje med bitsen. Tryck tillräckligt hårt för att bitsen ska borra, men inte så hårt att motorn stannar eller bitsen böjer sig.
- ◆ Håll bormaskinen fast med båda händerna, en hand på handtaget och den andra i ett grepp på undersidan runt batteriet eller extra handtaget om sådant finns.
- ◆ **OM BORREN STANNAR SKA DU INTE FÖRSÖKA STARTA DEN IGEN GENOM ATT TRYCKA IN OCH SLÄPPA STRÖMBRYTAREN UPPREPADE GÅNGER. DETTA KAN SKADA BORRMASKINEN.**
- ◆ Minska risken för att borren stannar vid genomborring genom att minska trycket och borra sakta den sista biten.
- ◆ Låt motorn vara igång medan du drar ut bitsen ur hålet. Då minskar risken för att verktyget kör fast.
- ◆ Se till att avtryckaren startar och stänger av bormaskinen.

### Borra i trä

Man kan borra i trä med samma borbitts som används för metallborring eller med borrar med sidoskår. Använd välslipade bits och dra ut dem med jämna mellanrum under borringen för att rensa bort spån från spåren.

### Borra i metall

Använd smörjolja vid borring i metall. Undantaget är gjutjärn och mässing som bör borrar torrt. Sulfurerad skärolja fungerar bäst som skärolja.

### LED-arbetsbelysning

När borren är aktiverad genom tryckning på avtryckaren (1) kommer den integrerade LED-arbetsbelysningen (8) automatiskt att lysa på arbetsområdet.

**Notera:** Arbetslampan är till för att belysa det omedelbara arbetsområdet och är inte avsedd att användas som ficklampa.

### Bitshållare

En bitshållare (9) är inbyggd i basen på verktyget.

## Felsökning

Problem	Möjlig orsak	Möjlig lösning
Enheten startar inte.	Batteriet sitter inte rätt. Batteriet är inte laddat.	Kontrollera batteripaketets installation. Kontrollera batteripaketets laddningskrav
Enheten startar omedelbart när batteriet sätts i	Omkopplaren har lämnats i "på" positionen.	Omkopplaren måste flyttas till "av" för att förhindra att verktyget startar omedelbart när batteriet sätts i.
Batteripaketet går inte att ladda.	Batteripaketet är inte ordentligt infört i laddaren. Laddaren är inte ansluten till elnätet. Omgivande temperatur är för varm eller för kall.	Sätt batteriet i laddaren så att LED lysar. Anslut laddaren till ett fungerande eluttag. Flytta laddaren och batteriet till en plats där temperaturen i den omgivande luften är över 4,5 °C eller under +40,5 °C.
Enheten stängs av plötsligt.	Batteriet har nått dess maximala termiska gräns. Slut på laddning. (För att maximera livslängden på batteripaketet är det designat att stängas av plötsligt när laddningen är slut).	Låt batteripaketet svalna. Placera på laddare och ladda.

## Underhåll

Detta BLACK+DECKER-verktyg har konstruerats för att fungera under lång tid med ett minimum av underhåll. Kontinuerlig tillfredsställande drift är beroende av ordentlig verktygsvård och regelbunden rengöring.

Laddaren behöver inget annat underhåll än regelbunden rengöring.

**Varning!** Ta ut batteriet ur verktyget innan du utför något underhåll på verktyget. Dra ur sladden till laddaren innan du rengör den.

- ◆ Rengör regelbundet verktygets ventilationsöppningar och laddaren med en mjuk borste eller torr trasa.
- ◆ Rengör motorkåpan regelbundet med en fuktig trasa. Använd aldrig något slipande eller lösningsmedelsbaserat rengöringsmedel.
- ◆ Öppna chocken med jämna mellanrum och knacka på den för att avlägsna damm som sitter på insidan.

## Skydda miljön



Separat insamling. Produkter och batterier som är markerade med denna symbol får inte kastas i de vanliga hushållssoporna.

Produkter och batterier innehåller material som kan återanvändas eller återvinnas för att minska behovet av råmaterial.

Återvinn elektriska produkter och batterier enligt lokala föreskrifter. Närmare information finns tillgänglig på [www.2helpU.com](http://www.2helpU.com)

## Tekniska data

BL186 H2		
Spänning	$V_{DC}$	18 V
Obelastat varvtal	$Min^{-1}$	0-450 / 0-1800
Max vridmoment	Nm	52
Chuckkapacitet	mm	13
Maximal borrkapacitet		
Stål/trä	mm	13/35
Vikt	kg	1,08 (1,46 med batteri)

Laddare	905902**	906349**
Inspänning	$V_{AC}$ 100- 240	220 - 240
Utspänning	$V_{DC}$ 8 - 20	8 - 20
Strömstyrka	mA 400	1000
Laddningstid cirka	Tim 4 - 10	1,5 - 4

Batteri	BL1518	BL2018	BL4018
Spänning	$V_{DC}$ 18	18	18
Kapacitet	Ah 1,5	2,0	4,0
Typ	Li-jon	Li-jon	Li-jon

Ljudtrycksnivå enligt EN 62841:
Ljudtryck ( $L_{pA}$ ) 67 dB(A), osäkerhet (K) 5 dB(A)
Ljudtryck ( $L_{WA}$ ) 78 dB(A), osäkerhet (K) 5 dB(A)

Totala vibrationsvärden (vektorsumman av tre axlar) enligt EN 62841:
Borrning i metall ( $a_{h,D}$ ) 1,7 $m/s^2$ , osäkerhet (K) 1,5 $m/s^2$

## EG-försäkran om överensstämmelse

MASKINDIREKTIVET



BL186 - borr

Black & Decker garanterar att produkterna som beskrivs under "Tekniska data" uppfyller: 2006/42/EC, EN62841-1:2015, EN62841-2-1:2018+A11:2019, Dessa produkter överensstämmer även med direktiv 2014/30/EU och 2011/65/EU.

Kontakta Black & Decker för ytterligare information på följande adress, eller se handbokens baksida.

Undertecknad är ansvarig för sammanställningen av tekniska data och gör denna försäkran för Black & Decker.

*Patrick Diepenbach*

Patrick Diepenbach  
General Manager, Benelux  
Black and Decker,  
Egide Walschaertsstraat 14-18  
2800 Mechelen, Belgien  
2021-11-30

## Garanti

Black & Decker är säker på kvaliteten hos denna produkt och erbjuder kunder 24 månaders garanti från inköpsdatumet. Denna garanti är ett tillägg till dina lagstadgade rättigheter och påverkar inte dessa på något sätt. Garantin är giltig i de områden som tillhör medlemsstaterna i Europeiska unionen och det europeiska frihandelsområdet.

För yrkande under garantin måste yrkandet vara i enlighet med Black&Deckers villkor och du kommer att behöva skicka in bevis på köpet till försäljaren eller en auktoriserad reparatör. Villkoren för Black & Deckers tvååriga garanti och var du hittar din närmaste auktoriserade reparatör kan erhållas på Internet på [www.2helpU.com](http://www.2helpU.com), eller genom att kontakta ditt lokala Black & Decker-kontor på adressen som angetts i denna manual. Besök vår webbplats [www.blackanddecker.se](http://www.blackanddecker.se) för att registrera din nya Black & Decker-produkt samt för att få information om nya produkter och specialerbjudanden.

## Tiltent bruk

Drillen BL186 fra BLACK+DECKER er designet for skrutrekkerbruk og for boring i tre, metall og plast. Dette verktøyet er bare ment som et forbrukerverktøy.

## Sikkerhetsinstruksjoner

### Generelle sikkerhetsadvarsler for elektroverktøy



**Advarsel! Les alle sikkerhetsanvisninger, instruksjoner, illustrasjoner og spesifikasjoner som følger dette elektriske verktøyet.** Manglende overholdelse av instruksjonene som er listet opp under kan resultere i elektrosjokk, ild og/eller alvorlig skade.

**Ta vare på alle advarsler og instruksjoner for fremtidig bruk.** Begrepet «elektroverktøy» i advarslene nedenfor gjelder nettdrevet elektroverktøy (med ledning) eller batteridrevet elektroverktøy (uten ledning).

#### 1. Sikkerhet i arbeidsområdet

- Hold arbeidsområdet rent og godt opplyst.** Rotete eller mørke områder er en invitasjon til ulykker.

- Ikke bruk verktøy i eksplosive omgivelser, slik som i nærheten av antenner, væsker, gasser eller støv.** Elektrisk verktøy skaper gnister som kan antenne støv eller gasser.
  - Hold barn og andre personer unna når du bruker et elektroverktøy.** Hvis du blir forstyrret under arbeidet, kan du miste kontrollen.
- Elektrisk sikkerhet**
    - Støpselet til elektroverktøy må passe i stikkkontakten. Aldri modifier støpselet på noen måte. Ikke bruk adapterstøpsler til jordede elektriske verktøy.** Umodifiserte støpsler og stikkontakter som passer vil redusere risikoen for elektrisk sjokk.
    - Unngå kroppskontakt med jordede overflater som rør, radiatorer, komfyrer og kjøleskap.** Det er økt fare for elektrisk støt dersom kroppen din er jordet.
    - Hold elektroverktøy unna regn eller fuktighet.** Dersom det kommer vann i et elektroverktøy, øker faren for elektrisk støt.
    - Unngå uforvarlig behandling av ledningen. Aldri bruk ledningen til å bære, trekke eller dra ut støpselet til det elektriske verktøyet. Hold ledningen borte fra varme, olje, skarpe kanter eller bevegelige deler.** Skadede eller innviklede ledninger øker risikoen for elektrisk sjokk.
    - Når du bruker et elektroverktøy utendørs, må du bruke en skjøteledning som er egnet for utendørs bruk.** Når du bruker en skjøteledning som er egnet for utendørs bruk, reduseres risikoen for elektrisk støt.
    - Dersom bruk av et elektrisk verktøy på et fuktig sted er uunnagelig, bruk en strømkilde med jordfeilbryter (RCD).** Bruk av jordfeilbryter (RCD) reduserer risikoen for elektrisk støt.

#### 3. Personlig sikkerhet

- Vær oppmerksom, pass på hva du gjør, og vis fornuft når du arbeider med et elektroverktøy. Ikke bruk et elektrisk verktøy dersom du er trøtt eller er påvirket av medikamenter, narkotika eller alkohol.** Ett øyeblikks uoppmerksomhet under bruk av elektriske verktøy kan føre til alvorlig personskade.
- Bruk personlig verneutstyr. Bruk alltid vernebriller.** Verneutstyr slik som støvmaske, sklislire vernesko, hjelm, eller hørselsvern brukt under passende forhold vil redusere personskader.
- Unngå utilsiktet oppstart. Kontroller at bryteren står i posisjon «av» før du kobler til strømkilden og/eller batteripakken, og før du tar opp eller bærer verktøyet.** Å bære elektriske verktøy med fingeren på bryteren eller å sette inn støpselet mens elektriske verktøy har bryteren på øker faren for ulykker.

- d. **Fjern eventuelle justeringsnøkler før du slår på det elektriske verktøyet.** En nøkkel som er festet til en roterende del av det elektriske verktøyet kan føre til personskaade.
- e. **Ikke strekk deg for langt. Ha godt fotfeste og stå støtt hele tiden.** Dette fører til at du har bedre kontroll over det elektriske verktøyet ved uventede situasjoner.
- f. **Bruk egnet antrekk. Ikke ha på deg løstsittende klær eller smykker. Hold hår, antrekk og hansker borte fra bevegelige deler.** Løstsittende klær, smykker og langt hår kan bli fanget opp av bevegelige deler.
- g. **Hvis det kan monteres støvavsug- og oppsamlingsinnretninger, må du forvisse deg om at disse er tilkoblet og brukes på riktig måte.** Bruk av støvopsamlere kan redusere støvrelaterte farer.
- h. **Ikke la erfaring med hyppig bruk av verktøy la deg bli likegyldig og ignorere verktøyet sine sikkerhetsregler.** En uforsiktig handling kan føre til alvorlig personskaade på brokdelen av et sekund.
- 4. Bruk og stell av elektriske verktøy**
- a. **Ikke bruk makt på elektroverktøyet. Bruk det elektriske verktøyet som situasjonen krever.**  
Det riktige elektriske verktøyet vil gjøre jobben bedre og tryggere ved den hastigheten det ble konstruert for.
- b. **Ikke bruk elektroverktøyet hvis du ikke kan slå det på og av med bryteren.** Ethvert elektrisk verktøy som ikke kan kontrolleres med bryteren er farlig og må repareres.
- c. **Trekk støpselet ut av stikkkontakten og/eller koble fra batteripakken, hvis den er avtakbar, fra elektroverktøyet før du foretar noen justeringer, endrer tilbehør, e eller lagrer elektroverktøy.** Slike preventive sikkerhetsforanstaltninger reduserer risikoen for å starte det elektriske verktøyet ved et uhell.
- d. **Elektroverktøy som ikke er i bruk, må oppbevares utilgjengelig for barn. Ikke la verktøyet bli brukt av personer som ikke er fortrolig med det, eller som ikke har lest denne bruksanvisningen.** Elektriske verktøy er farlige i hendene på utrenede brukere.
- e. **Sørg for vedlikehold av elektroverktøy og tilbehør. Undersøk om bevegelige deler er feiljustert eller blokkert, om deler er skadet, og om det er andre forhold som kan påvirke elektroverktøyet sine funksjoner. Dersom det er skadet, få verktøyet reparert før neste bruk.** Mange ulykker forårsakes av dårlig vedlikeholdte verktøy.
- f. **Hold skjæreverktøy skarpe og rene.** Godt vedlikeholdte skjæreverktøy med skarpe skjærekanten setter seg mindre sannsynlig fast og er lettere å kontrollere.
- g. **Bruk elektroverktøy, tilbehør, bits osv. i henhold til disse instruksjonene. Ta hensyn til arbeidsforholdene og arbeidet som skal utføres.**

Bruk av det elektriske verktøyet for oppgaver som er forskjellige fra de som er tiltenkt kan føre til en farlig situasjon.

- h. **Hold håndtakene og gripeflatene tørre, rene og frie for olje og fett.** Glatte håndtak og gripeflater forhindrer trygg håndtering og kontroll av verktøyet i uventede situasjoner.

## 5. Bruk og stell av batteriverktøy (kun for batteriverktøy)

- a. **Skal kun lades opp ved hjelp av batteriladeren spesifisert av produsenten.**  
En lader som passer for en type batteripakke kan føre til risiko for brann dersom den brukes på en annen batteripakke.
- b. **Bruk elektroverktøy bare med spesifikt angitte batteripakker.** Bruk av andre batteripakker kan føre til risiko for personskaade og brann.
- c. **Når batteripakken ikke er i bruk, må du oppbevare den atskilt fra andre metallgjenstander som binders, mynter, nøkler, spiker, skruer eller andre små metallgjenstander som kan opprette en forbindelse fra en terminal til en annen.** Kortslutning av batteripolene mot hverandre kan føre til brannskader eller brann.
- d. **Ved feilaktig bruk kan det komme væske ut av batteriet, unngå kontakt med den. Dersom du kommer i kontakt med den, skyll av med vann. Dersom du får væsken i øynene, søk legehjelp.** Væske som kommer ut av batteriet kan føre til irritasjon eller brannskader.
- e. **Batteripakke eller verktøy som er skadet eller modifisert skal ikke brukes.** Batterier som er skadet eller modifisert kan ha uventet oppførsel og føre til brann, eksplosjon eller personskaader.
- f. **Batteripakken skal ikke utsettes for brann eller for høy temperatur.** Eksposering for brann eller temperaturer over 130 °C kan føre til eksplosjon. MERK: Temperaturen "130 °C" kan erstattes av temperaturen "265 °F".
- g. **Følg alle ladeinstruksjoner og ikke lade batteripakken eller verktøyet utenfor temperaturområdet som angitt i bruksanvisningen.** Feil lading eller ved temperaturer utenfor det angitt området kan skade batteriet og øke faren for brann.

## 6. Service

- a. **Elektroverktøy skal alltid repareres av kvalifisert personell og bare med originale reservedeler.** Dette vil sikre at verktøyet sikkerhet blir ivaretatt.
- b. **Skadede batteripakker skal aldri repareres.** Service på batteripakker skal kun utføres av produsenten eller autoriserte serviceverksteder (kun for batteriverktøy).

## Sikkerhetsinstruksjoner for all bruk

- **Bruk hørselsvern ved slagboring.** Å bli utsatt for støy kan forårsake hørselstap.

- **Hold elektroverktøyet i de isolerte grepene når du utfører et arbeid hvor skjæretilbehøret/festeanordningen kan komme i kontakt med skjulte ledninger.** Hvis skjæretilbehøret/festeanordningen kommer i kontakt med en strømførende ledning, kan frittliggende metalldele på verktøyet bli strømførende, og brukeren kan få elektrisk støt.

### Sikkerhetsinstruksjoner ved bruk av lange bor

- **Bruk aldri ved høyere hastigheter enn maks hastighet for boret.** Ved høyere hastigheter er det en sjanse for at boret bøyer seg hvis den roterer fritt uten kontakt med arbeidsstykket.
- **Start alltid å bore ved lav hastighet, og med enden av boret i kontakt med arbeidsstykket.** Ved høyere hastigheter er det en sjanse for at boret bøyer seg hvis den roterer fritt uten kontakt med arbeidsstykket.
- **Påfør kun trykk i en rett linje med boret, og trykk ikke for hardt.** Boret kan bli bøyd eller ødelagt, eller det kan føre til tap av kontroll eller personskafe.

### Ekstra sikkerhetsregler spesielt for boremaskin/trekker/slagboremaskin

- Bruk klemmer eller en annen praktisk måte å feste og støtte arbeidsstykket på en stabil plattform. Å holde arbeidsstykket i hendene eller mot kroppen er ustabil og kan føre til at du mister kontroll.
- Tilbehør og verktøy kan bli varme under bruk. Bruk hansker ved håndtering dersom det utføres arbeid som generere varme, som boring i metall.
- Luftehull dekker ofte bevegelige deler og skal unngås. Løstsittende klær, smykker og langt hår kan bli fanget opp av bevegelige deler.
- Bruk vernebriller eller annen øyebeskyttelse. Hammer- og boreoperasjoner gjør at fiser flyr gjennom luften. Flyvende partikler kan forårsake permanent øyeskade.
- Bruk hørselsvern ved slagboring. Å bli utsatt for støy kan forårsake hørselstap.
- Bruk hjelpehåndtakene dersom de leveres med verktøyet. Å miste kontroll kan forårsake personskafe.
- Bruk ikke dette verktøyet i lange perioder. Vibrasjon forårsaket av verktøyet kan skade hendene og armene. Bruk hansker for å gi ekstra polstring og begrense risikoen ved å hvile ofte.

### Andre personers sikkerhet

- Dette apparatet kan brukes av barn som er 8 år eller eldre samt av personer som har reduserte fysiske, sansemessige eller mentale evner, eller som mangler erfaring og kunnskap, hvis de har tilsyn eller har fått veiledning i bruk av apparatet på en trygg måte og forstår farene som foreligger.

- Barn skal ikke leke med apparatet. Rengjøring og brukervedlikehold skal ikke utføres av barn uten tilsyn.

### Restrisikoer

Når verktøyet brukes, kan det oppstå ytterligere risikoer som kanskje ikke er beskrevet i de medfølgende sikkerhetsadvarslene. Disse risikoene kan bli forårsaket av feil bruk, langvarig bruk osv.

Selv om de relevante sikkerhetsbestemmelsene blir fulgt, og sikkerhetstiltakene blir gjennomført, kan visse gjenværende risikoer ikke unngås. Disse inkluderer:

- Personskader som forårsakes av berøring av en roterende/bevegelig del.
- Personskader som skyldes skifte av deler, blad eller tilbehør.
- Personskader som forårsakes av langvarig bruk av et verktøy. Når du bruker et verktøy i lange perioder, må du sørge for å ta regelmessige pauser.
- Hørselskader.
- Helsefarer som skyldes innånding av støv som dannes når du bruker verktøyet (for eksempel under arbeid med tre, spesielt eik, bøk og MDF.)

### Vibrasjon

Vibrasjonsemissjonsverdien som er angitt under tekniske data og samsvarserklæring, er blitt målt i henhold til en standard testmetode som er angitt i EN62841, og kan brukes til å sammenligne et verktøy med et annet.

Den oppgitte vibrasjonsemissjonsverdien kan også brukes til en foreløpig vurdering av eksponering.



**Advarsel!** Vibrasjonsemissjonsverdien under faktisk bruk av elektroverktøyet kan avvike fra den oppgitte verdien avhengig av måten verktøyet blir brukt på. Vibrasjonsnivået kan øke over nivået som er oppgitt.

Under vurdering av vibrasjonseksponering for å bestemme sikkerhetstiltak som kreves i 2002/44/EF for å beskytte personer som bruker elektroverktøy regelmessig i arbeidet, skal det tas hensyn til de faktiske bruksforholdene og måten verktøyet blir brukt på. Dette gjelder alle deler av brukssyklusen – også de gangene verktøyet er slått av, når det går på tomgang, samt tiden utløseren er inne.

### Etiketter på verktøyet

Følgende advarselssymboler vises på verktøyet sammen med datokoden:



**Advarsel!** Brukeren må lese håndboken for å redusere risikoen for personskafe.



Ikke se direkte på lampen når den er på

## Ytterligere sikkerhetsinstruksjoner for batterier og ladere



Laderen er bare beregnet for innendørs bruk.

### Batterier

- Forsøk aldri å åpne av noen årsak.
- Ikke utsett batteriet for vann.
- Ikke utsett batteriet for varme.
- Ikke oppbevar det på steder hvor temperaturen kan komme over 40 °C.
- Skal bare lades ved omgivelsestemperaturer mellom 10 °C og 40 °C.
- Bruk bare ladere av typen som følger med apparatet/verktøyet.
- Følg instruksene som finnes i avsnittet "Miljø" når du skal kaste batterier.
- Ikke skad eller deformer batteripakken ved punktering eller støt, da dette kan føre til risiko for personskade og brann.
- Ikke lad skadede batterier.
- Under ekstreme forhold kan batterilekkasje forekomme. Hvis du oppdager væske på batteriene, må du tørke den forsiktig av med en klut. Unngå kontakt med huden.
- Hvis væsken kommer i kontakt med huden eller øynene, følger du instruksjonene nedenfor.



**Advarsel!** Batterivæsken kan føre til personskade eller skade på eiendom. Ved hudkontakt skyller du umiddelbart med vann. Hvis huden blir rød eller irritert eller smerter inntreffer, søk øyeblikkelig medisinsk hjelp.

Hvis væsken kommer i kontakt med øynene, skyller du umiddelbart med rent vann og søker øyeblikkelig medisinsk hjelp.

### Ladere

Laderen er konstruert for en bestemt spenning. Kontroller alltid at nettspenningen er i overensstemmelse med spenningen på typeskiltet.



**Advarsel!** Ikke skift ut laderen med et vanlig nettstøpsel.

- Laderen skal bare brukes til å lade batteriet i apparatet som laderen kom sammen med. Andre batterier kan sprekke og føre til personskade og materiell skade.
- Prøv aldri å lade ikke-oppladbare batterier.
- Hvis strømledningen blir skadet, må den skiftes av produsenten eller et autorisert servicesenter for å unngå fare.
- Skift ut defekte ledninger umiddelbart.
- Ikke utsett laderen for vann.
- Ikke åpne laderen.
- Ikke stikk noe inn i laderen.
- Apparatet/verktøyet/batteriet må plasseres på et sted med god lufting når det lades.

### Elektrisk sikkerhet



Denne laderen er dobbeltisolert. Jording er derfor ikke nødvendig. Kontroller alltid at strømforsyningen samsvarer med spenningen på merkeskiltet.

Hvis strømledningen blir skadet, må den byttes av produsenten eller et autorisert BLACK+DECKER-servicesenter for å unngå farer.

### Funksjoner

Dette apparatet har noen av eller alle funksjonene nedenfor.

1. Utløserbryter
2. Fremover/bakover knapp
3. Momentjusteringsmansjett
4. Gir med to områder
5. Nøkkelløs chuck
6. Batteri
7. Batteriutløserknapper
8. LED-arbeidslampe
9. Bitsholder

### Bruk

**Advarsel!** La verktøyet arbeide i sin egen hastighet. Må ikke overbelastes.

### Lading av batteriet - figur A

Batteriet må lades før første gang det brukes, og hver gang det ikke lenger gir nok strøm til oppgaver som tidligere ble utført uten problemer. Batteriet kan bli varmt under lading. Dette er normalt og innebærer ikke feil.

**Advarsel!** Ikke lad batteriet ved omgivelsestemperaturer under 10 °C eller over 40 °C. Anbefalt ladetemperatur er ca. 24 °C.

**Merk: Laderen vil ikke lade et batteri hvis celleteperaturen er under ca. 10 °C eller over 40 °C.**

**Du bør la batteriet stå i laderen. Laderen begynner å lade automatisk når celleteperaturen blir høyere eller lavere.**

- ◆ Plugg laderen inn i hvilken som helst standard 230 Volts 50 Hz stikkontakt.
- ◆ Sett batteripakken inn i laderen som vist i figur A.
- ◆ Det grønne LED-lyset blinker for å varsle om at batteriet lades.
- ◆ Fullført lading vises ved at den grønne LED-en er på. Pakken er da fullt oppladet og kan brukes, eller den kan bli stående i laderen.

**Advarsel!** Brannfare. Når du kobler fra laderen fra verktøyet, forsikre deg om at laderen er tatt ut av stikkkontakten først, deretter kobler du fra laderkabelen fra verktøyet.

### Installere batteripakken - figur B

- ◆ Sett batteriet inn i batterihuset til det er hekt inne og du hører et klikk som vist på figur C. Forsikre deg om at batteripakken sitter helt inne og er låst i posisjon.

### Ta av batteripakken - figur B innsatt

- ◆ Trykk på batteriutløserknappen (7) som vist på figur B1 og dra batteripakken ut av verktøyet.

### Avtrekkerbryter og forover/bakover knapp - figur C

- ◆ Drillen slås PÅ og AV ved å dra og slippe avtrekkeren (1) som vist i figur C. Desto mer du trykker avtrekkeren, desto raskere går drillen.
- ◆ En kontrollknapp (2) for fremover/bakover bestemmer retningen på verktøyet og tjener også som låseknapp.
- ◆ For å velge rotasjon fremover, slipp avtrekksbryteren og trykk fremover/bakover kontrollknappen på høyresiden av verktøyet.
- ◆ For å velge bakover, trykk fremover/bakover kontrollknappen på venstre siden av verktøyet
- ◆ Når kontrollknappen står i midten er verktøyet låst. Når du skifter kontrollknappens posisjon, påse at avtrekksbryteren er sluppet.

### Justering av dreiemomentkontrollen - figur D

Dette verktøyet er utstyrt med en mansjett (3) for å velge bruksmodus og stille inn moment for å skru til skruer. Store skruer og arbeidsstykker i harde materialer krever høyere moment er små skruer og arbeidsstykker med bløte materialer.

- ◆ For boring i tre, metall og plast, stilles mansjett i stillingen med symbolet
- ◆ For skrutrekking, still mansjett til ønsket stilling og gå frem som følger:
  - ◆ Sett mansjett i stillingen for laveste moment.
  - ◆ Stram til den første skruen.
  - ◆ Hvis koblingen lager en klinkelyd før du oppnår ønsket resultat, øker du innstillingen av mansjett og fortsetter å stramme skruen.
  - ◆ Gjenta til du når korrekt innstilling.
  - ◆ Bruk denne innstillingen for de gjenværende skruene.

### To-område bryter - figur E

To-område funksjonen gjør det mulig å skifte gir og gir dermed større fleksibilitet.

- ◆ For å velge lav hastighet og høyt dreiemoment (posisjon 1), skru du verktøyet av og venter til det stopper. Skyv girskifterknappen (4) bort fra chucken.
- ◆ For å velge høy hastighet og lavt dreiemoment (posisjon 2), skru du verktøyet av og venter til det stopper.

Skyv girskifterknappen mot chucken.

**Merk:** Ikke skift gir når verktøyet er i gang. Dersom du har problemer med å skifte gir, pass på at to-trinns girskifter er skjøvet enten helt forover eller helt bakover.

### nøkkelløs chuck - figur F

**Advarsel!** Pass på at verktøyet er låst for å hindre utilsiktet aktivering av bryteren før du setter på eller tar av tilbehør.

Slik setter du inn et bor eller annet tilbehør:

- ◆ Hold i chucken (5) , og dreii den mot klokken sett fra enden av chucken.
- ◆ Sett bor eller annet tilbehør helt inn i borelåsen, og stram godt ved å vri borelåsen med klokken.

**Advarsel!** Ikke forsøk å stramme drill-bits (eller annet tilbehør) ved å gripe rundt fronten av chucken og deretter slå på verktøyet. Det kan oppstå skade på borelåsen og personskaade når tilbehør skiftes.

### Skruing

- ◆ Når du setter inn skruer, skal knappen for fremover/bakover være skjøvet til venstre.
- ◆ Bruk reversknappen (knappen trykkes til høyre) for å ta ut skruer.

**Merk:** Når du skifter fra forover til revers, slipp alltid avtrekkeren først.

### Boring

- ◆ Bruk kun skarpe bor.
- ◆ Støtt opp og fest arbeidsstykket godt, som angitt i sikkerhetsinstruksjonene.
- ◆ Bruk riktig og påkrevd sikkerhetsutstyr som anvist i sikkerhetsinstruksjonene.
- ◆ Sikre og vedlikeholde arbeidsområdet som beskrevet i sikkerhetsinstruksjonene.
- ◆ Kjør maskinen svært langsomt til hullet er dypt nok til å holde boret fra å skli ut.
- ◆ Trykk i rett linje med boret. Bruk nok trykk til at boret biter, men ikke så mye at motoren stanser eller at boret skifter retning.
- ◆ Hold boremaskinen godt med begge hender, en hånd på håndtaket og den andre rundt bunnen rundt batteriet og ekstrahåndtaket, dersom montert.
- ◆ **IKKE KLIKK MED BRYTEREN PÅ ET FASTKJØRT VERKTØY PÅ OG AV FOR Å FORSØKE Å STARTE DET. BOREMASKINEN KAN BLI SKADET.**
- ◆ Reduser blokkering til et minimum ved gjennombrudd ved å redusere trykket og bore langsomt gjennom den siste delen av hullet.
- ◆ Hold motoren i gang mens du trekker boret ut av det borede hullet. Dette vil bidra til å redusere fastkjøring.
- ◆ Forsikre deg om at bryteren slår drillen på og av.



## Boring i tre

Hull i tre kan bores med de samme spiralborene som brukes til metall, eller med flate bor. Disse borene bør være skarpe og bør trekkes ut ofte under boringen så spon kan fjernes fra furene i boret.

## Bore i metall

Bruk et en skjærevæske for smøring ved boring i metall. Unntak er støpejern og messing som bør bores tørt. Smøremidlene som virker best, er svovelholdig skjæreolje eller fettolje.

## LED-arbeidslampe

Når boremaskinen startes ved å trykke på avtrekkeren (1), vil den LED arbeidslampe (8) automatisk tennes og lyse opp arbeidsområdet.

**Merk:** Arbeidslyset er for å belyse den nærmeste arbeidsflaten, og er ikke ment å brukes som lykt.

## Lagring av bits

På bunnen av verktøyet er det et spor (9) for lagring av bits.

## Feilsøking

Problem	Mulig årsak	Mulig løsning
Enheten starter ikke.	Batteripakken er ikke satt inn riktig. Batteripakken er ikke ladet.	Kontroller innsettingen av batteripakken. Kontroller kravene til lading av batteripakken
Enheten starter umiddelbart etter at batteriet er satt inn	Bryteren er satt i "på" posisjon.	Bryteren være satt til "av" for å hindre at verktøyet starter straks når batteriet settes inn.
Batteripakken blir ikke ladet.	Batteripakken er ikke satt inn i laderen. Laderen er ikke satt i stikkontakten.	Sett batteripakken inn i laderen til LED-lyset lyser. Sett laderen i en stikkontakt som virker.
	Omgivelsestemperaturen er for varm eller kald.	Flytt laderen og batteriet til et sted med lufttemperatur over 40 grader F (4,5 °C) eller under 105 grader F (+40,5 °C*)
Enheten stopper brått.	Batteripakken har nådd sin maksimale temperaturgrense. Ikke oppladet. (For å få lengst mulig levetid på batteriet, er batteripakken designet for å slå seg av straks den er utladet	La batteripakken kjøle seg ned. Sett i laderen og la den lade seg opp.

## Vedlikehold

BLACK+DECKER-verktøyet ditt er konstruert for å være i drift over lengre tid med et minimum av vedlikehold. For at den skal fungere tilfredsstillende over tid, er det viktig å sørge for riktig stell av verktøyet og regelmessig renhold. Laderen krever ikke annet vedlikehold enn regelmessig rengjøring.

**Advarsel!** Før du utfører vedlikehold på verktøyet, må du fjerne batteriet fra verktøyet. Trekk ut laderen fra stikkontakten før du rengjør den.

- ◆ Rengjør ventilasjonsåpningene i verktøyet og laderen jevnlig med en myk børste eller tørr klut.
- ◆ Rengjør motorhuset regelmessig med en fuktig klut. Ikke bruk slipende eller løsemiddelbaserte rengjøringsmidler.
- ◆ Åpne chucken regelmessig, og bank på den for å fjerne eventuelt støv fra innsiden.

## Miljøvern



Separat avfallshåndtering. Produkter og batterier merket med dette symbolet skal ikke kastes i vanlig husholdningsavfall.

Produkter og batterier inneholder materialer som kan gjenbrukes eller gjenvinnes for å redusere behovet for nye råmaterialer.

Vennligst lever elektrisk utstyr og batterier til gjenbruk i henhold til lokale retningslinjer. Mer informasjon finner du på [www.2helpU.com](http://www.2helpU.com)

## Tekniske data

BL186 H2		
Spenning	V <sub>DC</sub>	18V
Ubelastet hastighet	o/min	0-450 / 0-1800
Maks. dreiemoment	Nm	52
Chuck kapasitet	mm	13
Maksimal borekapasitet		
Stål/tre	mm	13/35
Vekt	kg	1,08 (1,46 med batteri)

Lader	905902**	906349**
Inngangsspenning	V <sub>AC</sub> 100- 240	220 - 240
Utgangsspenning	V <sub>DC</sub> 8 - 20	8 - 20
Strøm	mA 400	1000
Omtrentlig ladetid	Timer 4 - 10	1,5 - 4

Batteri	BL1518	BL2018	BL4018
Spenning	V <sub>DC</sub> 18	18	18
Kapasitet	Ah 1,5	2,0	4,0
Type	Li-Ion	Li-Ion	Li-Ion

Lydtryknivå i henhold til EN 62841:

Lydtrykk (L<sub>pa</sub>) 67dB(A), usikkerhet (K) 5dB(A)

Lydeffekt (L<sub>wa</sub>) 78 dB(A), usikkerhet (K) 5 dB(A)

Totale vibrasjonsverdier (triaks vektorsum) bestemt i samsvar med EN 62841:

Boring i metall (a<sub>n,D</sub>) 1,7 m/s<sup>2</sup>, usikkerhet (K) 1,5 m/s<sup>2</sup>

## EF-samsvarserklæring

MASKINDIREKTIVET



BL186 – Slagbor

Black & Decker erklærer at disse produktene, som er beskrevet under "Tekniske data", er i samsvar med: 2006/42/EC, EN62841-1:2015, EN62841-2-1:2018+A11:2019, Disse produktene samsvarer også med direktivene 2014/30/EU og 2011/65/EU.

Hvis du ønsker mer informasjon, kan du kontakte Black & Decker på adressen under eller se baksiden av bruksanvisningen.

Undertegnede er ansvarlig for utarbeidelsen av den tekniske dokumentasjonen og gir denne erklæringen på vegne av Black & Decker.

*Patrick Diepenbach*

Patrick Diepenbach  
General Manager, Benelux  
Black and Decker,  
Egide Walschaertsstraat 14-18  
2800 Mechelen, Belgium  
30.11.2021

## Garanti

Black & Decker er trygg på kvaliteten av produktene sine og tilbyr en 24 måneders garanti fra kjøpsdato. Denne garantierklæringen kommer i tillegg til dine lovbestemte rettigheter og er ikke i konflikt med disse. Garantien er gyldig innen områdene tilhørende medlemslandene i den Europeiske Union (EU) og det Europeiske Frihandelsområdet (EFTA).

For å ta garantien i bruk må kravet være i samsvar med kjøpsbetingelsene fra Black&Decker og du må vise kjøpskvittering til forhandleren eller til et autorisert serviceverksted.

Betingelsene for Black&Deckers 2 års garanti og adressen til din nærmeste autoriserte serviceverksted kan du finne på internett under [www.2helpU.com](http://www.2helpU.com), eller ved å kontakte ditt lokale Black & Decker kontor, adressen er angitt i denne bruksanvisningen.

Besøk våre nettsider på [www.blackanddecker.no](http://www.blackanddecker.no) for å registrere ditt nye Black & Decker-produkt og for å få informasjon om nye produkter og spesialtilbud.

## Tilsigted bruk

Din BLACK+DECKER BL186 - boremaskine er designet til skruoopgaver samt til boring i tre, metal og plastik. Værktøjet er kun beregnet til privat brug.

## Sikkerhedsinstruktioner

### Generelle sikkerhedsadvarsler vedrørende elværktøj



**Advarsel! Læs alle sikkerhedsadvarsler, instruktioner, illustrationer og specifikationer, der følger med dette elværktøj.** Manglende overholdelse af alle nedenstående instruktioner kan medføre elektrisk stød, brand og/eller alvorlige kvæstelser.

### Gem alle advarsler og instruktioner til fremtidig reference.

Begrebet "elværktøj", der benyttes i nedenstående advarsler, henviser til netdrevne (med netledning) eller batteridrevne maskiner (uden netledning).

#### 1. Sikkerhed i arbejdsområdet

- a. **Sørg for, at arbejdsområdet er rent og godt oplyst.** Rodede eller mørke områder giver anledning til ulykker.
- b. **Brug ikke elværktøj i eksplosive omgivelser, f.eks. hvor der er brændbare væsker, gasser eller støv.** Elværktøj danner gnister, der kan antænde støv eller dampe.
- c. **Hold børn og andre personer på afstand, når et elværktøj er i brug.** Distractioner kan medføre, at du mister kontrollen.

#### 2. Elektricitet og sikkerhed

- a. **Elværktøjsstik skal passe til stikkontakten. Stikket må aldrig modificeres på nogen måde.** Undlad at bruge adapterstik sammen med (jordforbundet) elektrisk værktøj. Umodificerede stik og dertil passende stikkontakter reducerer risikoen for elektrisk stød.
- b. **Undgå kropskontakt med jordforbundne overflader som f.eks. rør, radiatorer, komfurer og køleskabe.** Der er øget risiko for elektrisk stød, hvis din krop er jordforbundet.
- c. **Elværktøj må ikke udsættes for regn eller fugt.** Hvis der trænger vand ind i et elektrisk værktøj, øges risikoen for elektrisk stød.
- d. **Ødelæg ikke ledningen. Brug aldrig ledningen til at bære, trække værktøjet eller trække det ud af stikkontakten. Hold ledningen borte fra varme, olie, skarpe kanter og bevægelige dele.** Beskadede eller sammenfiltrede ledninger øger risikoen for elektrisk stød.

- e. **Hvis elværktøj benyttes i det fri, skal der benyttes en forlængerledning, som er godkendt til udendørs brug.** Brug af en ledning, der er egnet til udendørs brug, reducerer risikoen for elektrisk stød.
- f. **Brug en strømkilde med fejlstrømsbeskyttelse, hvis det er uundgåeligt at anvende elværktøj på fugtige steder.** Ved at benytte en fejlstrømsafbryder reduceres risikoen for elektrisk stød.
3. **Personsikkerhed**
- a. **Vær opmærksom, hold øje med, hvad du laver, og brug elværktøjet fornuftigt.** Betjen ikke værktøjet, hvis du er træt, påvirket af narkotika, alkohol eller medicin. Et øjeblik uopmærksomhed under anvendelse af et elektrisk værktøj kan forårsage alvorlige kvæstelser.
- b. **Anvend personligt beskyttelsesudstyr. Bær altid beskyttelsesbriller.** Det er muligt at reducere risikoen for kvæstelser ved alt efter omstændighederne at anvende det passende sikkerhedsudstyr såsom støvmaske, skridsikre sikkerhedssko, sikkerhedshjelm eller høreværn.
- c. **Sørg for, at værktøjet ikke kan starte utilsigtet. Kontrollér, at afbryderkontakten står på slukket, inden værktøjet tilsluttes strømkilden og/eller batteriet, samles op eller bæres.** Når elektrisk værktøj bæres med fingeren på kontakten eller tilsluttes, når kontakten er tændt, giver det anledning til ulykker.
- d. **Fjern indstillingsværktøj eller skrue nøgle, inden elværktøjet tændes.** En skrue nøgle eller anden nøgle, der bliver siddende på en roterende del af elektrisk værktøj, kan give anledning til personskade.
- e. **Undlad at række for langt. Hold hele tiden en god fodstilling og balance.** Dette udgør at du har bedre kontrol over det elektriske værktøj, når uventede situationer opstår.
- f. **Bær hensigtsmæssig påklædning. Bær ikke løst tøj eller smykker.** Hold dit hår, tøj og handsker væk fra bevægelige dele. Løstsiddende tøj, smykker eller langt hår kan blive fanget i bevægelige dele.
- g. **Hvis støvsugnings- og opsamlingsudstyr kan monteres, er det vigtigt, at dette tilsluttes og benyttes korrekt.** Anvendelse af støvsugningsudstyr kan begrænse farer forårsaget af støv.
- h. **Lad ikke kendskab fra hyppig brug af værktøjer gøre dig uforsigtig og få dig til at ignorere principperne for værktøjssikkerhed.** En uforsigtig handling kan forårsage alvorlig personskade på en brøkdal af et sekund.
4. **Brug og vedligeholdelse af elværktøj**
- a. **Undgå at overbelaste elværktøjet. Brug det elværktøj, der er bedst egnet til det arbejde, der skal udføres.** Det korrekte elværktøj klarer opgaven bedre og mere sikkert med den effekt, som det er konstrueret til.
- b. **Brug ikke elværktøjet, hvis afbryderen er defekt.** Alt elektrisk værktøj, der ikke kan kontrolleres med kontakten, er farligt og skal repareres.
- c. **Træk stikket ud af stikkontakten og/eller fjern batterienheden fra det elektriske værktøj, hvis det kan udtages, før det elektriske værktøj justeres, dets tilbehør udskiftes, Eller det stilles til opbevaring.** Sådanne forebyggende sikkerhedsforanstaltninger mindsker risikoen for, at værktøjet startes utilsigtet.
- d. **Opbevar ubenyttet elværktøj uden for børns rækkevidde. Elværktøjet må ikke bruges af personer, der ikke er fortrolige med det, eller som ikke har gennemlæst disse instruktioner.** El-værktøj er farligt i hænderne på personer, som ikke er instrueret i brugen deraf.
- e. **Elværktøj og tilbehør skal vedligeholdes. Kontroller, om bevægelige dele er skæve og ikke sidder fast, og om delene er brækket eller beskadiget, så elværktøjets funktion påvirkes. Hvis det elektriske værktøj er beskadiget, skal det repareres før brug.** Mange ulykker er forårsaget af dårligt vedligeholdt værktøj.
- f. **Sørg for, at skæreværktøjer er skarpe og rene.** Ordentligt vedligeholdt skæreværktøj med skarpe skærekanten har mindre tilbøjelighed til at binde og er lettere at styre.
- g. **Brug elværktøjet, tilbehøret, indsatsværktøj osv. i overensstemmelse med disse instruktioner under hensyntagen til arbejdsforholdene og arbejdet, der skal udføres med værktøjet.** Brug af elektrisk værktøj til andre opgaver end dem, det er beregnet til, kan resultere i en farlig situation.
- h. **Hold håndtagene og håndtagsfladerne tørre, rene og fri for olie og fedt.** Glatte håndtag og gribeflader giver ikke en sikker håndtering og kontrol af værktøjet i uventede situationer.
5. **Brug og pleje af batteriværktøj (bruges kun til batteriværktøjer)**
- a. **Genoplad kun værktøjet ved brug af den oplader, der er angivet af producenten.** En oplader, der passer til en type batteripakke, kan udgøre en risiko for brand, når den bruges til en anden type.
- b. **Brug kun elværktøj sammen med batteripakker, der er specifikt beregnet hertil.** Brugen af andre batteripakker kan medføre personskade og brand.
- c. **Når batteripakken ikke er i brug, skal den holdes på afstand af andre metalgenstande, f.eks. papirclips, mønter, nøgler, søm, skruer og andre små metalgenstande, som kan skabe forbindelse mellem de to poler.** Kortslutning af batteriet kan forårsage forbrændinger eller brand.

- d. **Under grove forhold kan væske sive ud fra batteriet; undgå kontakt.** Hvis der opstår kontakt ved et uheld, skyl med vand. Hvis væske kommer ind i øjnene, søg omgående lægehjælp. Væske, der siver ud fra batteriet, kan fremkalde irritationer eller forbrændinger.
- e. **Brug ikke en batteripakke eller et værktøj, der er beskadiget eller modificeret.** Beskadigede eller modificerede batterier kan udvise uforudsigelig adfærd, hvilket kan resultere i brand, eksplosion eller risiko for personskade.
- f. **Udsæt ikke en batteripakke eller et værktøj for ild eller for høj temperatur.** Eksponering for ild eller temperatur på over 130 °C kan forårsage eksplosion. BEMÆRK: Temperaturen „130 °C“ kan erstattes af temperaturen „265 °F“.
- g. **Følg alle opladningsanvisninger, og undlad at oplade batteripakken eller værktøjet uden for det temperaturinterval, der er specificeret i instruktionerne.** En forkert opladning eller opladning uden for det specificerede interval kan beskadige batteriet og øge risikoen for brand.
6. **Service**
- a. **Få altid elværktøjet repareret af kvalificerede fagfolk udelukkende med identiske reservedele.** Derved sikres det, at værktøjets driftssikkerhed opretholdes.
- b. **Beskadigede batteripakker må aldrig serviceres.** Service af batteripakker bør kun udføres af producenten eller autoriserede serviceudbydere (bruges kun til batteriværktøjer).

### Sikkerhedsinstruktioner til al brug

- **Bær høreværn når du arbejder med slagboring.** Udsættelse for støj kan medføre høretab.
- **Hold i elværktøjets isolerede gribeplader, hvis der er risiko for, at skæretilbehøret eller beslaget kommer i kontakt med skjulte ledninger.** Hvis skæretilbehøret eller beslaget rammer en strømførende ledning, bliver elværktøjets blottagte dele strømførende, så brugeren får stød.

### Sikkerhedsinstruktioner for at anvende lange borekroner

- **Brug aldrig hurtigere hastighed end det maksimale angivet på borekronen.** Ved højere hastigheder vil boret sandsynligvis bøjes, hvis det får lov til at rotere frit uden at komme i berøring med emnet, hvilket kan resultere i personskade.
- **Start altid med at bore ved lav hastighed og med spidsen af boret i kontakt med overfladen.** Ved højere hastigheder vil boret sandsynligvis bøjes, hvis det får lov til at rotere frit uden at komme i berøring med emnet, hvilket kan resultere i personskade.

- **Begynd altid med at bore i lav hastighed og med borespidsen i kontakt med emnet.** Bør kan bøje og forårsage brud eller tab af kontrol, hvilket kan resultere i personskade.

### Ekstra sikkerhedsadvarsler for bor/drivværk/hammerbor

- Brug klemmer eller en anden praktisk måde på at sikre og understøtte arbejdsområdet til et stabilt underlag. Hvis du holder fast i arbejdsområdet med din hånd eller krop, vil det være ustabil, og det kan medføre, at du mister kontrollen over det.
- Tilbehør og værktøj kan blive varme under drift. Bær handsker under arbejde med dem, hvis du udfører varmfremkaldende opgaver som fx boring af metaller.
- Luftaftræk dækker ofte over bevægelige dele og bør undgås. Løst tøj, smykker eller langt hår kan blive fanget af de bevægelige dele.
- Bær sikkerhedsbriller eller anden beskyttelse af øjnene. Hammer- og borefunktioner kan medføre flyvende splinter. Flyvende partikler kan forårsage permanente øjenskader.
- Bær høreværn når du arbejder med slagboring. Udsættelse for støj kan medføre høretab.
- Anvend hjælpéhåndtag, hvis leveret sammen med værktøjet. Tab af kontrol kan medføre personskade.
- Arbejd ikke med dette værktøj i længere tid ad gangen. Vibrationer fra værktøjet kan beskadige dine hænder og arme. Brug handsker som ekstra stødpude og begræns risikoen ved at holde hyppige pauser.

### Andres sikkerhed

- Dette apparat kan bruges af børn i en alder fra 8 år og derover og personer med nedsatte fysiske, sensoriske eller mentale evner eller manglende erfaring og viden, hvis det sker under overvågning, eller de vejledes i brugen af apparatet på en sikker måde, og de forstår de farer, som er forbundet dermed.
- Børn må ikke lege med apparatet. Rengøring og brugervedligeholdelse må ikke foretages af børn uden opsyn.

### Tilbageværende risici

Der kan opstå yderligere, tilbageværende risici under brugen af apparatet, som muligvis ikke behandles i de vedlagte sikkerhedsadvarsler. Disse risici kan opstå pga. forkert anvendelse, langvarig brug etc.

Selv ved overholdelse af relevante sikkerhedsforskrifter og anvendelse af sikkerhedsudstyr kan visse resterende risici ikke undgås. Disse omfatter:

- Tilskadekomst forårsaget af berøring af roterende/ bevægelige dele.
- Tilskadekomst forårsaget af udskiftning af dele, klinger eller tilbehør.

- Tilskadekomst forårsaget af langvarig brug af et apparat. Husk at holde pause jævnligt ved brug af et apparat i længere tid.
- Hørenedsættelse.
- Sundhedsrisici forårsaget af indånding af støv, der genereres ved brug af værktøjet (eksempel: Arbejde med træ, især eg, bøg og MDF.)

## Vibration

De angivne værdier for udsendelse af vibration anført under de tekniske data og overensstemmelseserklæringen er målt i henhold til standardtestmetoden i EN62841 og kan bruges til at sammenligne ét værktøj med et andet.

Den angivne vibrationsemissionsværdi kan også bruges i forbindelse med en foreløbig vurdering af eksponeringen.



**Advarsel!** Værdien for vibrationsemission ved faktisk brug af elværktøjet kan afvige fra den angivne værdi afhængigt af måden, værktøjet anvendes på.

Vibrationsniveauet kan overstige det angivne niveau.

I vurderingen af eksponeringen for vibration med henblik på fastsættelse af sikkerhedsforanstaltninger som krævet i 2002/44/EF til beskyttelse af personer, der jævnligt anvender elværktøj i deres arbejde, skal der tages hensyn til de faktiske betingelser under brugen, og måden værktøjet bruges på, herunder alle arbejdsrytters afsnit, f.eks. perioder, hvor værktøjet er slukket, og hvor det kører i tomgang, tillige med startperioderne.

## Mærkatet på værktøjet

Værktøjet er forsynet med følgende advarselssymboler samt datokoden:



**Advarsel!** Brugeren skal læse brugervejledningen for at reducere risikoen for kvæstelser.



Kig ikke ind i lampen, når den er tændt

## Yderligere sikkerhedsvejledninger for batterier og ladere

### Batterier

- Forsøg aldrig at åbne den af en eller anden grund.
- Batteriet må ikke udsættes for fugt.
- Batteriet må ikke udsættes for varme.
- Opbevar ikke batterier på steder, hvor temperaturen kan overstige 40°C.
- Foretag kun opladning ved omgivelsestemperaturer mellem 10°C og 40°C.
- Brug kun den oplader, der fulgte med apparatet/værktøjet, til opladning.
- Følg ved bortskaffelse af batterier vejledningen i afsnittet "Miljø".

- Undgå at beskadige/deformere batteripakken ved at punktere den eller slå på den, da dette kan forårsage risiko for tilskadekomst eller brand.
- Beskadede batterier må ikke oplades.
- Under ekstreme forhold kan der forekomme batterilækage. Hvis du bemærker væske på batterierne, skal du omhyggeligt tørre den af med en klud. Undgå kontakt med huden.
- I tilfælde af kontakt med hud eller øjne skal nedenstående instruktioner følges.



**Advarsel!** Batterivæsken kan forårsage personskader eller materielle skader. I tilfælde af kontakt med huden skylles straks med vand. Søg læge, hvis der opstår rødme, smerte eller irritation. Skyl straks med rent vand, og søg læge i tilfælde af kontakt med øjnene.

### Opladere

Opladeren er udviklet til en specifik spænding. Kontroller altid, at netspændingen svarer til spændingen på typeskiltet.



**Advarsel!** Forsøg aldrig at erstatte opladerenheden med et almindeligt netstik.

- Brug kun din lader til at oplade batteriet i det værktøj, som den blev leveret sammen med. Andre batterier kan eksplodere og forårsage kvæstelser og materielle skader.
- Forsøg aldrig at oplade ikke-genopladelige batterier.
- Hvis netledningen beskadiges, skal den udskiftes af producenten eller et autoriseret værksted, så farlige situationer undgås.
- Udskift straks defekte ledninger.
- Opladeren må ikke udsættes for fugt.
- Opladeren må ikke åbnes.
- Undersøg ikke opladeren.
- Apparatet/værktøjet/batteriet skal anbringes et sted med god udluftning, når det oplades.



Opladeren er kun beregnet til indendørs brug.

### Elektricitet og sikkerhed



Denne oplader er dobbelt isoleret. Derfor er jordledning ikke nødvendig. Kontrollér altid, at strømforsyningen svarer til spændingen på mærkepladen.

Hvis netledningen beskadiges, skal den udskiftes af producenten eller et autoriseret BLACK+DECKER-værksted, så farlige situationer undgås.

### Funktioner

Dette apparat leveres med nogle af eller alle de følgende komponenter.

1. Startknap
2. Forlæns-/baglænsknap
3. Momentjusteringsring
4. Dobbeltområdegearvælger
5. Patron uden nøgle
6. Batteri
7. Batteriets udløsningsknap
8. LED-arbejdslys
9. Borspidsholder

## Anvendelse

**Advarsel!** Lad værktøjet arbejde i dets eget tempo. Det må ikke overbelastes.

## Opladning af batteriet - Figur A

Batteriet skal oplades inden ibrugtagningen, og når det ikke leverer strøm nok til opgaver, der tidligere kunne udføres ubesværet. Batteriet kan blive varmt under opladningen. Det er normalt og ikke tegn på problemer.

**Advarsel!** Oplad ikke batteriet ved omgivende temperaturer på under 10 °C eller over 40 °C. Den anbefalede opladningstemperatur er ca. 24 °C.

**Bemærk: Opladeren oplader ikke et batteri, hvis dets temperatur er under ca. 10 °C eller over 40°C.**

**Batteriet bør blive siddende i laderen, som automatisk begynder opladningen, når batteriet opvarmes/afkøles.**

- ◆ Sæt opladeren ind i enhver standard 230 volt 50 Hz stikkontakt.
- ◆ Skub batteripakken i opladeren, som vist i figur A.
- ◆ Den grønne LED blinker for at vise, at batteriet oplades.
- ◆ Når opladningen er færdig, vil det blive angivet af den grønne LED, som vil lyse konstant. Pakken er fuldt opladet og kan nu anvendes eller kan efterlades i opladeren.

**Advarsel!** brandfare. Når du afbryder opladeren fra værktøjet, skal du sørge for først at trække stikket til opladeren ud af stikkontakten, og frakobl derefter opladerens ledning fra værktøjet.

## Sådan installeres batteripakken - Figur B

- ◆ Sæt batteripakken helt ind i værktøjet, indtil du hører et klik som vist i figur B. Kontrollér at batteripakken sidder godt fast og er helt låst i position.

## Sådan fjernes batteripakken - Figur B indsats

- ◆ Tryk batteriets udløserknap (7) ned som vist i figur B1 og træk batteripakken ud af værktøjet.

## Udløserkontakt & forlæns-/baglænsknap - figur C

- ◆ Boret slås til og fra ved at trække og slippe udløserkontakten (1) som vist i figur C. Jo mere der trykkes på udløseren, jo højere bliver boret hastighed.
- ◆ En retningsomskifterknap (2) bestemmer værktøjets rotationsretning og fungerer også som låseknap.

- ◆ Du vælger forlænsrotation ved at udløse udløserkontakten og trykke på retningsomskifterknappen på højre side af værktøjet.
- ◆ Du vælger omvendt ved at trykke på retningsomskifterknappen på venstre side af værktøjet.
- ◆ Midterpositionen på styreknapen låser værktøjet i off position. Når positionen på styreknapen ændres, sørg for at udløseren er udløst.

## Justering af styring af drejemoment - figur D

Dette værktøj er udstyret med en krave til justering af drejemomentet (3) til valg af driftsfunktion og til indstilling af drejemomentet for fastspændingsskruer. Store skruer og hårde materialer kræver en højere indstilling af moment end små skruer og bløde materialer.

- ◆ Ved boring i træ, metal og plastic skal ringen indstilles på borepositions-symbolet.
- ◆ Ved skruetrækning skal du indstille ringen til den ønskede indstilling. Gå frem på følgende måde, hvis du er usikker på den rigtige position:
  - ◆ - Indstil ringen på den laveste momentposition.
  - ◆ Skru den første skrue i.
  - ◆ Hvis koblingen udløses før det ønskede resultat er opnået, øg indstillingen af kraven og fortsæt med at spænde skruen.
  - ◆ Gentag fremgangsmåden, indtil du finder den rigtige indstilling.
  - ◆ Brug denne indstilling til de andre skruer.

## Dobbelt områdekontakt- figur E

Den dobbelte områdefunktion på din boremaskine gør det muligt for dig at skifte gear til større alsidighed.

- ◆ Til valg af lav hastighed, indstilling af højt drejemoment (position 1), slå værktøjet fra og tillad at stoppe. Skub gearskifterknappen (4) tilbage fra patronen.
- ◆ Til valg af høj hastighed, indstilling af lavt drejemoment (position 2), slå værktøjet fra og tillad at stoppe. Skub gearskifterknappen tilbage imod patronen.

**Bemærk:** Skift ikke gear når værktøjet kører. Hvis du har problemer med at skifte gear, sørg for at den dobbelte område gearskifterknap enten er skubbet helt fremad eller helt tilbage.

## patron uden nøgle - figur F

**Advarsel!** Sørg for at batteripakken er fjernet, så aktivering af værktøjet forhindres inden montering eller afmontering af tilbehør.

Sådan isættes bor eller andet tilbehør:

- ◆ Grib fat om patronen (5) og drej den mod uret set fra enden af patronen.
- ◆ Sæt boret eller andet tilbehør helt ind i patronen og fastgør den godt ved at dreje patronen med uret som set fra enden af patronen.

**Advarsel!** Forsøg ikke at stramme eller løsne borehoveder (eller andet tilbehør) ved at gribe fat i den forreste del af patronen og dreje værktøjet. Ved udskiftning af tilbehør kan der ske beskadigelse af patronen og personskaade.

## Skruuboring

- Ved inddrivning af fastgørelser skal retningsomskipferknappen skubbes til venstre.
- Brug baglænsknappen (knap skubbet til højre) for udtagning af fastgørelser.

**Bemærk:** Når flytning fra fremad til bagud eller omvendt, udløs altid først udløserkontakten.

## Boring

- Brug kun skarpe borehoveder.
- Støt og fastgør arbejdet korrekt som instrueret i sikkerhedsinstruktionerne.
- Brug passende og nødvendigt sikkerhedsudstyr, som instrueret i sikkerhedsinstruktionerne.
- Kontrollér og oprethold arbejdsområdet som instrueret i sikkerhedsinstruktionerne.
- Kør boret meget langsomt ved hjælp af et let tryk indtil hullet startes tilstrækkeligt til at holde boret fra at glide ud af det.
- Anvend tryk i en lige linje med boret. Tryk tilstrækkeligt til, at boret stadig arbejder, men ikke så meget, at motoren bremses, eller boret afbøjes.
- Hold boret fast med to hænder, en hånd på håndtaget og den anden på bunden omkring batteriområdet eller på hjælpehåndtaget, hvis det er monteret.
- **KLIK IKKE PÅ UDLØSEREN PÅ ET STOPPET BOR TIL OG FRA I ET FORSØG PÅ AT STARTE DET. RESULTATET KAN BLIVE BESKADIGELSE AF BORET.**
- Miniér motorstop ved gennembrud ved at reducere trykket og bor langsomt gennem den sidste del af hullet.
- Lad motoren køre, mens du trækker boret ud af et borehul. Det mindsker risikoen for, at det sidder fast.
- Kontrollér at kontakten slår boret til og fra.

## Boring i træ

Der kan bores huller i træ med samme spiralbor, der bruges til metal, eller med fladbor. Borene skal være skarpe, og de skal hyppigt trækkes ud under boringen for at fjerne spåner fra borespiralen.

## Boring i metal

Brug et skæreoliesmøremiddel ved boring af metaller. Undtagelserne er støbejern og messing, der skal tørbores. De smøremidler, der fungerer bedst, er svovlet skæreolie.

## LED-arbejdslys

Når boret er aktiveret ved træk i udløserkontakten (1), vil det integrerede LED arbejdslys (8) automatisk oplyse

arbejdsområdet.

**Bemærk:** Arbejdslyset er til belysning af den aktuelle arbejdsoverflade og er ikke beregnet til brug som en lommelygte.

## Opbevaring af borspids

En lille til opbevaring af bor (9) er indbygget nederst i værktøjet.

## Problemløsning

Problem	Mulig årsag	Mulig løsning
Enheden vil ikke starte.	Batteripakken er ikke installeret korrekt.  Batteriet er ikke opladet.	Kontroller installationen af batteripakken.  Kontroller kravene til opladning af batteriet
Enheden starter straks efter indsættelse af batteri	Kontakten er blevet efterladt i "on" position.	Kontakten skal være flyttet til "off" for at forhindre, at værktøjet starter, lige så snart batteriet er indsat.
Batteriet kan ikke oplades.	Batteripakken er ikke sat i opladeren.  Opladeren er ikke tilsluttet.  Omgivende lufttemperatur for varm eller for kold.	Indsæt batteripakken i opladeren, indtil LED lyser.  Slut opladeren til en fungerende stikkontakt.  Flyt oplader og batteripakke til en omgivende lufttemperatur på over 40 °F (4,5°C) eller under 105 grader F (+ 40,5°C)
Enheden slukker brat.	Batteripakken har nået sin maksimale termiske grænse.  Ude af opladning. (For at maksimere batteripakkens levetid er den designet til brat at slukke, når opladningen er opbrugt.	Lad batteripakken køle ned.  Anbring den på opladeren og lad den lade op.

## Vedligeholdelse

Dit BLACK+DECKER-værktøj er beregnet til brug gennem lang tid med et minimum af vedligeholdelse. Vedvarende tilfredsstillende funktion er afhængig af, om apparatet plejes korrekt og rengøres regelmæssigt.

Opladeren kræver ingen vedligeholdelse, men skal rengøres jævnligt.

**Advarsel!** Tag batteriet ud af værktøjet, inden der foretages vedligeholdelse på værktøjet. Træk opladeren ud af stikkontakten, før den rengøres.

- Rens jævnligt værktøjets og laderens ventilationshuller med en blød børste eller en tør klud.
- Rengør med jævne mellemrum motorhuset med en fugtig klud.
- Der må ikke bruges skuremidler eller opløsningsmidler.
- Åbn jævnligt patronen, og bank på den for at fjerne støv indvendigt.

## Miljøbeskyttelse



Særskilt bortscaffelse. Produkter og batterier mærket med dette symbol må ikke bortskaffes sammen med normalt husholdningsaffald.

Produkter og batterier indeholder materialer, der kan genvindes eller genbruges og således reducere efterspørgslen efter råvarer.

Genbrug venligst elektriske produkter og batterier i henhold til lokale bestemmelser. Yderligere informationer findes på [www.2helpU.com](http://www.2helpU.com)

## Tekniske data

BL186 H2		
Spænding	$V_{DC}$	18V
Tomgangshastighed	$\text{Min}^{-1}$	0-450 / 0-1800
Maks. moment	Nm	52
Patronkapacitet	mm	13
Maks. borekapacitet		
Stål/træ	mm	13/35
Vægt	kg	1,08 (1,46 med batteri)

Oplader	905902**	906349**
Indgangsspænding	$V_{AC}$ 100-240	220 - 240
Udgangsspænding	$V_{DC}$ 8 - 20	8 - 20
Strømstyrke	mA 400	1000
Ladetid ca.	timer 4 - 10	1,5 - 4

Batteri	BL1518	BL2018	BL4018
Spænding	$V_{DC}$ 18	18	18
Kapacitet	Ah 1,5	2,0	4,0
Type	Li-Ion	Li-Ion	Li-Ion

Lydtrykniveau i henhold til EN 62841:	
Lydtryk ( $L_{pA}$ )	67 dB(A), usikkerhed (K) 5 dB(A)
Lydeffekt ( $L_{WA}$ )	78 dB(A), usikkerhed (K) 5 dB(A)

Samlede værdier for vibration (triaksial vektorsum) i henhold til EN 62841:	
Boring i metal ( $a_{h,D}$ )	1,7 $\text{m/s}^2$ , usikkerhed (K) 1,5 $\text{m/s}^2$

## EF-overensstemmelseserklæring

MASKINDIREKTIV



BL186 - Bor

Black & Decker erklærer, at produkterne beskrevet under "Tekniske data" er i overensstemmelse med:

2006/42/EF, EN62841-1:2015, EN62841-2-1:2018+A11:2019,

Disse produkterne er også i overensstemmelse med direktiverne 2014/30/EU og 2011/65/EU.

Kontakt Black & Decker på nedenstående adresse eller se vejledningens bagside for at få yderligere oplysninger. Undertegnede er ansvarlig for udarbejdelsen af de tekniske data og fremsætter denne erklæring på vegne af Black & Decker.

*Patrick Diepenbach*

Patrick Diepenbach  
General Manager, Benelux  
Black and Decker,  
Egide Walschaertsstraat 14-18  
2800 Mechelen, Belgien  
30-11-2021

## Garanti

Black & Decker er overbevist om den gode kvalitet af sine produkter og giver forbrugerne en garanti på 24 måneder fra købsdatoen. Garantien er et tillæg til forbrugerens lovmæssige rettigheder og påvirker ikke disse. Garantien er gyldig inden for medlemsstaterne af Den Europæiske Union og Det Europæiske Frihandelsområde.

Når du gør krav på garantien, skal kravet være i overensstemmelse med Black&Decker vilkår og betingelser, og du skal indsende dokumentation for købet til sælgeren eller til en autoriseret reparatør.

Vilkår og betingelser for Black & Decker 2 års garanti og det nærmeste autoriserede serviceværksted findes på internettet på [www.2helpU.com](http://www.2helpU.com), eller du kan kontakte dit lokale Black & Decker kontor på den adresse, der er angivet i denne vejledning.

Besøg venligst vores websted [www.blackanddecker.co.uk](http://www.blackanddecker.co.uk) for at registrere dit nye Black & Decker produkt og modtage opdateringer om nye produkter og specielle tilbud.



## Käyttötarkoitus

Tämä BLACK+DECKER BL186 -porakone on tarkoitettu ruuvien kiinnittämiseen sekä puun, metallin ja muovin poraamiseen. Tämä työkalu on tarkoitettu vain yksityiskäyttöön.

## Turvallisuusohjeet

### Sähkötyökalujen yleiset turvavaroitukset



**Varoitus! Lue kaikki tämän sähkötyökalun mukana toimitetut varoitukset, käyttöohjeet ja tekniset tiedot.** Jos kaikkia ohjeita ei noudateta, on olemassa sähköiskun, tulipalon ja/tai vakavan henkilövahingon vaara.

### Säästä kaikki varoitukset ja ohjeet tulevaa käyttöä varten.

Jäljempänä olevissa varoituksissa käytetyllä käsitteellä "sähkötyökalu" tarkoitetaan verkkokäyttöisiä sähkötyökaluja (verkkojohdolla) ja akkukäyttöisiä sähkötyökaluja (ilman verkkojohdtoa).

#### 1. Työalueen turvallisuus

- a. **Pidä työskentelyalue puhtaana ja hyvin valaistuna.** Onnettomuuksia sattuu herkemmin epäsiistissä tai huonosti valaistussa ympäristössä.
- b. **Älä käytä sähkötyökalua räjähdysalttiissa ympäristössä, jossa on palavaa nestettä, kaasua tai pölyä.** Sähkötyökalujen aiheuttamat kipinät voivat sytyttää pölyn tai kaasut.
- c. **Pidä lapset ja sivulliset loitolla sähkötyökalua käyttäessäsi.** Keskeyttämisen herpaantuminen voi aiheuttaa hallinnan menettämisen.

#### 2. Sähköturvallisuus

- a. **Sähkötyökalun pistokkeen on sovitava pistorasiaan. Älä koskaan tee pistokkeeseen mitään muutoksia. Älä yhdistä maadoitettua sähkötyökalua jatkojohtoon.** Sähköiskun vaara vähenee, jos pistokkeisiin ei tehdä muutoksia ja ne yhdistetään vain niille tarkoitettuihin pistorasioihin.
- b. **Vältä koskettamasta maadoitettuja pintoja, kuten putkia, pattereita, liesiä tai jääkaappeja.** Voit saada sähköiskun, jos kehosi on maadoitettu.
- c. **Älä altista sähkötyökalua sateelle tai kosteudelle.** Sähkötyökaluun menevä vesi lisää sähköiskun vaaraa.
- d. **Älä käsittele virtajohtoa kovakouraisesti. Älä kannata työkaluja sähköjohdosta tai vedä pistoketta pistorasiasta sähköjohdon avulla. Pidä sähköjohto kaukana kuumuudesta, öljystä, terävistä reunoista tai liikkuvista osista.** Vaurioituneet tai sotkeutuneet johdot lisäävät sähköiskun vaaraa.

- e. **Käyttäessäsi sähkötyökalua ulkona käytä ainoastaan ulkokäyttöön soveltuvaa jatkojohtoa.** Ulkokäyttöön tarkoitettun sähköjohdon käyttäminen vähentää sähköiskun vaaraa.
- f. **Jos sähkötyökalua on välttämättä käytettävä kosteassa paikassa, käytä jännösvirtalaitteella (RCD) suojattua virtalähdettä.** Tämä vähentää sähköiskun vaaraa.

#### 3. Henkilöturvallisuus

- a. **Keskity työskentelyysi ja noudata tervettä järkeä käyttäessäsi sähkötyökaluja.** Älä käytä tätä työkalua ollessasi väsynyt tai alkoholin, huumeiden tai lääkkeiden vaikutuksen alaisena. Keskeyttämisen herpaantuminen hetkeksikin sähkötyökalua käytettäessä voi aiheuttaa vakavan henkilövahingon.
  - b. **Käytä henkilökohtaisia suojavarusteita. Käytä aina suojalaseja.** Hengityssuojaimen, liukumattomien turvajalkineiden, kypärän ja kuulonsuojaimen käyttäminen vähentää henkilövahinkojen vaaraa.
  - c. **Vältä tahatonta käynnistämistä. Varmista, että kytkin on OFF-asennossa, ennen kuin liität laitteen virtalähteeseen ja/tai akkuun, nostat laitteen tai kannat sitä.** Sähkötyökalun kantaminen sormi virtakytkimellä lisää onnettomuusvaaraa.
  - d. **Irrota mahdollinen säätö- tai kiintoavain, ennen kuin käynnistät sähkötyökalun.** Sähkötyökalun pyöriivään osaan kiinni jäänyt avain voi johtaa loukkaantumiseen.
  - e. **Älä kurkota liian kauas. Huolehdi siitä, että sinulla on koko ajan tukeva jalansija ja hyvä tasapaino.** Näin voit hallita sähkötyökalua paremmin odottamattomissa tilanteissa.
  - f. **Käytä tarkoitukseen soveltuvia vaatteita. Älä käytä löysiä vaatteita tai koruja. Pidä hiukset, vaatteet ja kädet loitolla liikkuvista osista.** Löysät vaatteet, korut tai pitkät hiukset voivat tarttua liikkuviin osiin.
  - g. **Jos laitteeseen voi kiinnittää pölynkerääjän tai -imurin, tarkista, että se on paikallaan ja että se toimii kunnolla.** Pölyn ottaminen talteen voi vähentää pölyn aiheuttamia vaaroja.
  - h. **Vaikka käyttäisit usein työkaluja ja sinulla olisi niistä hyvä tuntemus, älä jätä lukematta työkalun turvallisuusohjeita.** Huolimattomuus voi johtaa vakaviin henkilövahinkoihin jopa sekunnin murto-osassa.
- #### 4. Sähkötyökalujen käyttö ja hoito
- a. **Älä ylikuormita sähkötyökalua. Valitse käyttötarkoituksen kannalta oikea sähkötyökalu.** Sähkötyökalu toimii paremmin ja turvallisemmin, kun sitä käytetään sille suunniteltuun käyttötarkoitukseen.

- b. Älä käytä sähkötyökälyä, jota ei voida käynnistää ja pysäyttää virtakytimestä. Jos sähkötyökälyä ei voi hallita kytkimen avulla, se on vaarallinen ja se on korjattava.
- c. **Katkaise sähkötyökälyä virta ja irrota sen pistoke pistorasiasta tai irrota akku siitä ennen säätämistä, varusteiden vaihtamista tai sähkötyökälyn asettamista säilytykseen.** Näin voit vähentää vahingossa käynnistymisen aiheuttaman henkilövahingon vaaraa.
- d. **Säilytä sähkötyökälyä poissa lasten ulottuvilta, kun niitä ei käytetä. Älä anna sähkötyökälyä sellaisen henkilön käyttöön, joka ei tunne sitä tai joka ei ole tutustunut sähkötyökälyn käyttöohjeeseen.** Sähkötyökälyt ovat vaarallisia kouluttamattomien käyttäjien käsissä.
- e. **Hoida sähkötyökälyäsi ja lisävarusteita huolella.** Tarkista, että liikkuvat osat toimivat moitteettomasti ja etteivät ne ole puristuksessa. Tarkista myös, ettei työkalussa ei ole murtuneita tai vahingoittuneita osia, jotka saattaisivat vaikuttaa haitallisesti sen toimintaan. Jos havaitset vaurioita, korjauta sähkötyökälyä ennen niiden käyttämistä. Huonosti kunnossapidetyt sähkötyökälyt aiheuttavat onnettomuuksia.
- f. **Pidä leikkausterät terävinä ja puhtaina.** Kunnossa pidettyjen leikkaavien teräviä reunoja sisältävien työkalujen todennäköisyys jumiutua vähenee, ja niitä on helpompi hallita.
- g. **Käytä sähkötyökälyä, tarvikkeita, vaihtotyökälyä jne. näiden ohjeiden mukaisesti. Ota tällöin huomioon työolosuhteet ja suoritettava toimenpide.** Jos sähkötyökälyä käytetään näiden ohjeiden vastaisesti, voi syntyä vaaratilanne.
- h. **Pidä kahvat ja kädensijat kuivina ja puhtaina öljystä ja rasvasta.** Liukkaat kahvat ja kädensijat estävät työkalun turvallisen käsittelyn ja hallinnan odottamattomissa tilanteissa.
5. **Akkutyökälyn käyttö ja huolto (koskee vain akkutyökälyä)**
- a. **Lataa vain valmistajan määrittämällä laturilla.** Laturi, joka on sopiva yhden tyyppiselle akulle, voi aiheuttaa tulipalon vaaran, jos sitä käytetään toisen tyyppisellä akulla.
- b. **Käytä sähkötyökälyä ainoastaan kyseiseen sähkötyökälyyn tarkoitettua akkua.** Muun tyyppisen akun käyttö saattaa johtaa loukkaantumiseen ja tulipaloon.
- c. **Pidä irrallinen akku loitolla metalliesineistä, kuten paperiliittimistä, kolikoista, avaimista, nauloista, ruuveista tai muista pienistä metalliesineistä, jotka voivat aiheuttaa oikosulun akun navoissa.** Kennon pinteiden oikosulun voi aiheuttaa palovammoja tai tulipalon.
- d. **Väärin käytetystä akusta voi vuotaa nestettä. Älä kosketa sitä. Jos nesteen kanssa joutuu kosketuksiin, huuhtele vedellä. Jos nestettä joutuu silmiin, hakeudu lisäksi lääkärin hoitoon.** Akusta roiskunut neste saattaa aiheuttaa ärsytystä tai palovammoja.
- e. **Akkua tai työkalua ei saa käyttää, jos siinä on vaurioita tai sitä on muunneltu.** Vaurioituneet tai muunnellut akut voivat johtaa odottamattomiin tilanteisiin ja vaarana ovat tulipalo, räjähdys ja henkilövahingot.
- f. **Suojaa akku ja työkalu tulelta ja liian korkeilta lämpötiloilta.** Se voi räjähtää yli 130 °C lämpötilassa. HUOMAA: Lämpötila "130 °C" voidaan korvata lämpötilalla "265 °F".
- g. **Noudata kaikkia latausohjeita. Akkua tai työkalua ei saa ladata ohjeissa määritetystä lämpötilavälisestä poikkeavassa lämpötilassa.** Jos akku ladataan virheellisesti tai määritetystä lämpötilavälisestä poikkeavassa lämpötilassa, seurauksena voi olla akun vaurioituminen ja tulipalovaara.
6. **Huolto**
- a. **Korjata sähkötyökälyä koulutetulla ja ammattitaitoisella henkilöllä ja hyväksy korjauksiin vain alkuperäisiä varaosia.** Tämä varmistaa sähkötyökälyn turvallisuuden.
- b. **Älä koskaan huolla vaurioituneita akkuja.** Ainoastaan valmistaja tai valtuutetut huoltoilikkeet saavat huoltaa akkuja (koskee vain akkutyökälyä).

### Turvaohjeet kaikkia toimintoja käytettäessä

- Käytä kuulosuojia, kun käytät iskuporaa. Melulle altistuminen voi aiheuttaa kuulon menetyksen.
- Pitele sähkötyökälyä eristetyistä tartuntapinnoista, kun teet työtä, jossa työkalu tai kiinnitin voi joutua kosketuksiin piilossa olevien sähköjohtojen kanssa. Työkälyn tai kiinnittimen kosketus jännitteisen johtimen kanssa voi tehdä myös työkalun paljaista metalliosista jännitteisiä ja aiheuttaa sähköiskun käyttäjälle.

### Turvallisuusohjeet pitkiä poranteriä käytettäessä

- Älä koskaan ylitä poranterän määritettyä maksiminopeutta. Suuremmilla nopeuksilla terä voi taipua ja aiheuttaa henkilövahinkoja, jos sen annetaan pyöriä vapaasti työstökappaleesta irti.
- Aloita poraus aina alhaisella nopeudella poranterän koskettaessa työstökappaleeseen. Suuremmilla nopeuksilla terä voi taipua ja aiheuttaa henkilövahinkoja, jos sen annetaan pyöriä vapaasti työstökappaleesta irti.
- Kohdistat terään voimaa vain suorassa linjassa välttäen liiallista painetta. Terät voivat taipua ja aiheuttaa murtumisen tai hallinnan menetyksen, mikä voi johtaa henkilövahinkoihin.

## Lisäturvaohjeet porille/ruuvinvääntimille/iskuporille

- Käytä puristimia tai muuta käytännöllistä tapaa kiinnittää ja tukea työkalua tukevalle alustalle. Työn pitäminen käsin tai vartaloa vasten on epävakaata ja saattaa johtaa kontrollin menetykseen.
- Lisävarusteet ja työkalu voivat kuumentua käytön aikana. Käytä suojakäsineitä niiden käsittelyn aikana, jos käytät työkalua lämpöä tuottaviin toimintoihin, kuten metallien poraukseen.
- Ilmanvaihtokaukkoja ei saa peittää. Löysät vaatteet, korut tai pitkät hiukset voivat tarttua liikkuviin osiin.
- Käytä suojalaseja tai muita silmäsuojia. Iskuporaus ja poraaminen voivat aiheuttaa lastujen lentämisen. Lentävät kappaleet voivat aiheuttaa pysyvän silmävaurion.
- Käytä kuulosuojia, kun käytät iskuporaa. Melulle altistuminen voi aiheuttaa kuulon menetyksen.
- Käytä lisäkahvoja, jos ne on toimitettu työkalun mukana. Hallinnan menetys voi aiheuttaa henkilövahingon.
- Älä käytä tätä työkalua pitkiä aikoja yhtäjaksoisesti. Työkalun iskutoiminnan aiheuttama värinä voi olla haitallista käsillesi ja käsivarsillesi. Käytä käsineitä tarjoamaan lisäpehmustetta ja rajoita altistumista värinälle pitämällä taukoja.

## Muiden henkilöiden turvallisuus

- Tämä laite soveltuu yli 8-vuotiaiden lasten ja sellaisten henkilöiden käyttöön, joilla on fyysisiä tai älyllisiä rajoitteita tai aistirajoitteita, kuten myös laitteen toimintaan perehtymättömien henkilöiden käyttöön, jos heitä valvotaan tai jos he ovat saaneet laitteen turvalliseen käyttöön liittyvää opastusta ja ymmärtävät laitteen käyttöön liittyvät vaarat.
- Älä anna lasten leikkiä laitteella. Puhdistus- ja huoltotöitä ei saa jättää lapsille ilman valvontaa.

## Jäännösriskit

Myös muut kuin turvavaroituksissa mainitut riskit ovat mahdollisia laitetta käytettäessä. Nämä riskit voivat liittyä muun muassa virheelliseen tai pitkäaikaiseen käyttöön. Tiettyjä jäännösriskkejä ei voi välttää, vaikka noudatat kaikkia turvamaäräyksiä ja käytät turvalaitteita. Näitä ovat:

- Pyörivien tai liikkuvien osien koskettamisen aiheuttamat vahingot.
- Osia, teriä tai lisävarusteita vaihdettaessa aiheutuneet vahingot.
- Työkalun pitkäaikaisen käytön aiheuttamat vahingot. Varmista, että pidät säännöllisesti taukoja laitteen pitkäaikaisen käytön aikana.
- Kuulon heikkeneminen.
- Työkalua käytettäessä (esimerkiksi puuta, erityisesti tammea, pyökkiä ja MDF-levyjä) syntyneen pölyn sisäänhengityksen aiheuttamat terveysriskit.

## Tärinä

Teknisissä tiedoissa ja vaatimustenmukaisuusvakuutuksessa ilmoitettu värinäpäästöarvo on mitattu EN62841-standardin testausmenetelmän mukaisesti, ja arvoa voi käyttää työkalujen keskinäiseen vertailuun.

Ilmoitettua värinäpäästöarvoa voi käyttää myös altistumisen alustavaan arviointiin.



**Varoitus!** Sähkötyökalun käytön aikana mitattu todellinen värinäpäästöarvo voi poiketa ilmoitetusta värinäpäästöarvosta työkalun käyttötavan mukaan. Värinätaaso voi olla ilmoitettua tasoa suurempi.

Kun värinälle altistumista arvioidaan sen määrittämiseksi, mitä direktiivin 2002/44/EY mukaisia turvatoimenpiteitä vaaditaan sähkötyökaluja säännöllisesti käyttävien henkilöiden suojelemiseksi, värinälle altistumisen arvioinnissa on otettava huomioon todelliset käyttöolosuhteet ja työkalun käyttötavat. Todellisen käytön lisäksi on kiinnitettävä huomiota myös siihen, milloin työkalu on sammutettuna tai se käy tyhjäkäynnillä.

## Työkalun tarrat

Työkaluun on merkitty päivämääräkoodi sekä seuraavat varoitusmerkinnot:



**Varoitus!** Käyttäjän on luettava käyttöohje vahinkojen välttämiseksi.



Älä katso suoraan toiminnassa olevaan lampuun

## Akkuja ja laturia koskevat lisäturvaohjeet

### Akut

- Älä koskaan yritä avata mistään syystä.
- Älä anna akun kastua.
- Älä altista akkua kuumuudelle.
- Älä säilytä akkuja tiloissa, joissa lämpötila voi nousta yli 40 °C:een.
- Lataa akku paikassa, jonka lämpötila on vähintään 10 °C ja enintään 40 °C.
- Käytä akun lataamiseen vain laitteen mukana toimitettua laturia.
- Noudata akkuja hävittäessäsi kohdassa "Ympäristönsuojelu" annettuja ohjeita.
- Suojaa akkua vahingoittumiselta niin, ettei sen kotelo rikkoudu eikä siihen kohdistu iskuja, sillä muutoin voi syntyä henkilövahinkojen ja tulipalon vaara.
- Älä lataa viallisia akkuja.
- Vaativissa oloissa voi ilmetä akkuvuotoja. Jos havaitset akkujen pinnalla nestettä, pyyhi se huolellisesti pois. Vältä ihokosketusta.
- Jos nestettä joutuu silmiin tai iholle, noudata alla olevia ohjeita.



**Varoitus!** Akkuneste voi aiheuttaa aineellisia vahinkoja tai henkilövahinkoja. Jos nestettä joutuu iholle, se on välittömästi huuhteltava pois vedellä. Jos ihoa kirvelee tai se punottaa tai on muuten ärtynyt, kysy lisäohjeita lääkäriltä. Jos nestettä joutuu silmiin, huuhto välittömästi puhtaalla vedellä ja mene lääkäriin.

### Laturit

Laturi on tarkoitettu tietylle jännitteelle. Tarkista aina, että verkkojännite vastaa arvokilvessä ilmoitettua jännitettä.



**Varoitus!** Älä yritä vaihtaa laturiin tavallista verkkovirran pistoketta.

- Käytä laturia vain laitteen mukana toimitetun akun lataamiseen. Muut akut voivat räjähtää ja aiheuttaa henkilövahinkoja tai aineellisia vahinkoja.
- Älä koskaan yritä ladata akkuja, joita ei ole tarkoitettu ladattavaksi.
- Jos virtajohto vahingoittuu, sen vaihtaminen on turvallisuussyistä jätettävä valmistajan tai valtuutetun huollon tehtäväksi.
- Vaihda vialliset johdot välittömästi ehjiin.
- Älä ailita laturia vedelle.
- Älä avaa laturia.
- Älä työnnä mitään laturin sisään.
- Lataa laite/työkalu/akku paikassa, jossa on kunnollinen ilmanvaihto.



Laturi on tarkoitettu ainoastaan sisäkäyttöön.

### Sähköturvallisuus



Tämä laturi on kaksoiseristetty, joten erillistä maadoitusta ei tarvita. Tarkista aina, että verkkovirran jännite vastaa tyyppikilpeen merkittyä jännitettä.

Jos virtajohto vahingoittuu, sen vaihtaminen on turvallisuussyistä jätettävä valmistajan tai valtuutetun BLACK+DECKER-huollon tehtäväksi.

### Yleiskuvaus

Tässä laitteessa on kaikki tai joitakin seuraavista ominaisuuksista.

1. Liipaisinkytkin
2. Suunnanvaihtopainike
3. Vääntömomentin säätörengas
4. Kaksiasentoinen nopeuskytkin
5. Pikaistukka
6. Akku
7. Akun vapautuspainike
8. LED-työvalo
9. Teräpidike

### Käyttö

**Varoitus!** Anna työkalun käydä omaan tahtiinsa. Älä ylikuormita sitä.

### Akun lataaminen - kuva A

Lataa akku ennen ensimmäistä käyttökertaa ja aina, kun se ei enää tuota riittävästi virtaa toimintoihin, jotka aiemmin sujuivat helposti. Akku voi lämmetä ladattaessa. Tämä on normaalia, eikä se ole merkki mistään viasta.

**Varoitus!** Älä lataa akkuja alle 10 °C tai yli 40 °C asteen lämpötilassa. Suositeltava latauslämpötila on noin 24 °C.

**Huomautus: Laturi ei lataa akkuja, jos akun kennon lämpötila on alle 10 °C tai yli 40 °C.**

**Akku tulee kuitenkin jättää laturiin. Laturi aloittaa lataamisen automaattisesti, kun kennon lämpötila nousee tai laskee riittävästi.**

- ◆ Liitä laturi standardiin 230 V / 50 Hz pistorasiaan.
- ◆ Liu'uta akku laturiin kuvan A mukaisesti.
- ◆ Vihreä LED-merkkivalo vilkkuu käynnissä olevan latauksen merkiksi.
- ◆ Kun lataus on valmis, vihreä LED-valo jää palamaan jatkuvasti. Akku on täysin ladattu ja sitä voidaan käyttää heti tai sen voi jättää laturiin.

**Varoitus!** Tulipalovaara. Kun irrotat laturin työkalusta, irrota laturi ensin pistorasiasta ja irrota laturin johto sen jälkeen työkalusta.

### Akun asentaminen - kuva B

- ◆ Aseta akku hyvin työkaluun, kunnes kuulet napsahduksen kuvan B mukaisesti. Varmista, että akku on hyvin paikoillaan ja lukittu paikoilleen.

### Akun irrottaminen - kuvan B osa

- ◆ Paina akun vapautuspainiketta (7) kuvan B1 mukaisesti ja vedä akku irti työkalusta.

### Liipaisinkytkin ja suunnanvaihtopainike - kuva C

- ◆ Pora kytketään päälle ja pois päältä vetämällä ja vapauttamalla liipaisinkytkin (1) kuvan C mukaisesti. Mitä syvemmälle kytkintä painetaan, sitä suurempi on poran nopeus.
- ◆ Eteen-/taaksepäin-painike (2) määrää työkalun pyörimissuunnan ja toimii myös lukituspainikkeena.
- ◆ Kiinniruuvausta varten vapautaa liipaisinkytkin ja paina alas suunnanvaihtopainike työkalun oikealla puolella.
- ◆ Kiinniruuvausta varten paina alas suunnanvaihtopainike työkalun oikealla puolella.
- ◆ Suunnanvaihtopainikkeen keskiasento lukitsee työkalun off-asentoon. Kun muutat suunnanvaihtopainikkeen asentoa, varmista, että liipaisin on vapautettu.

## Vääntömomentin säätäminen - kuva D

Tässä työkalussa on vääntömomentin säätörengas (3), jolla valitaan toimintatila ja asetetaan vääntömomentti ruuvien kiristämistä varten. Suuret ruuvit ja kovat työstettävät materiaalit vaativat suuremman vääntömomentin kuin pienet ruuvit ja pehmeät työstettävät materiaalit.

- ◆ Puuta, metallia ja muovia poratessasi aseta kartio porausasennon symbolin kohdalle.
- ◆ Ruuveja vääntäessäsi aseta kartio haluamaasi asentoon. Jos et vielä tiedä oikeaa asentoa, toimi seuraavasti:
  - ◆ Aseta kartio pienimmän vääntömomentin mukaiseen asentoon.
  - ◆ Kiristä ensimmäinen ruuvi.
  - ◆ Jos kytkin luistaa ennen halutun tuloksen saavuttamista, suurena kartion asetusta ja jatka ruuvien kiristämistä.
  - ◆ Toista menettelyä, kunnes asetus on oikea.
  - ◆ Kiristä muut ruuvit käyttämällä tätä asetusta.

## Kaksiasentoinen nopeuskytkin - kuva E

Poran nopeuskytkimen avulla voit vaihtaa vaihteista monipuolisesti.

- ◆ Valitse alhainen nopeus ja suuri vääntömomentti (asento 1) katkaisemalla työkalusta virta ja antamalla sen pysähtyä. Liu'uta nopeuskytkintä (4) pois päin istukasta.
- ◆ Valitse suuri nopeus ja pieni vääntömomentti (asento 2) katkaisemalla työkalusta virta ja antamalla sen pysähtyä. Liu'uta nopeuskytkintä takaisin istukkaan päin.

**Huomautus:** Älä vaihda vaihdetta, kun työkalu on käynnissä. Jos vaihteiden vaihtamisessa on ongelmia, varmista, että nopeuskytkin on työnnetty joko kokonaan eteenpäin tai kokonaan taaksepäin.

## Pikaistukka - kuva F

**Varoitus!** Varmista ennen lisävarusteiden asentamista tai irrottamista, että akku on irrotettu työkalun tahattoman käytön estämiseksi.

Poran terän tai muun tarvikkeen asentaminen:

- ◆ Tartu istukkaan (5) ja kierrä sitä vastapäivään istukan päästä katsottuna.
- ◆ Aseta terä tai muu tarvike istukkaan ja kiinnitä se hyvin kiertämällä istukkaa myötäpäivään istukan päästä katsottuna.

**Varoitus!** Älä yritä kiristää tai löysätä poranteriä (tai muita lisävarusteita) tarttumalla istukan etuosaan ja käynnistämällä työkalun. Lisävarusteiden vaihtaminen tällä tavalla voi vahingoittaa istukkaa tai johtaa tapaturmaan.

## Ruuvaus

- ◆ Ruuveja kiinnitettäessä suunnanvaihtopainike tulee työntää vasemmalle.
- ◆ Poista ruuvit päinvastaiseen suuntaan (painike painettuna oikealle).

**Huomautus:** Vapauta liipaisin aina ennen kuin siirryt eteenpäin-asennosta taaksepäin-asentoon tai päinvastoin.

## Poraaminen

- ◆ Käytä vain teräviä poranteriä.
- ◆ Tue ja kiinnitä työstökappale oikeaoppisesti turvallisuusohjeita noudattaen.
- ◆ Käytä asianmukaisia ja vaadittuja turvavarusteita turvallisuusohjeita noudattaen.
- ◆ Varmista työalueen turvallisuus turvallisuusohjeita noudattaen.
- ◆ Käytä poraa erittäin hiljaa kevyellä paineella, kunnes reikä on aloitettu riittävästi poran pitämiseksi aukossa.
- ◆ Paina suoraan terän suuntaisesti. Paina tarpeeksi kovaa niin, että terä poraa, mutta älä niin kovaa, että moottori jää kiinni tai terä vääntyy.
- ◆ Pidä poraa tiukasti kahdella kädellä, yksi käsi kahvassa ja toinen akkualueen ympärillä tai lisäkahvassa (jos olemassa).
- ◆ **ÄLÄ YRITÄ KÄYNNISTÄÄ KIINNI JÄÄNYTTÄ MOOTTORIA UDELLEEN PAINELEMALLA LIIPASINTA. PORA VOI VAHINGOITTUA.**
- ◆ Vähennä kiinni jäämisen mahdollisuutta puhkaisuvaiheessa vähentämällä painetta ja poraamalla hitaasti reiän loppupäässä.
- ◆ Pidä moottori käynnissä ja vedä terä ulos poratusta reiästä. Tämä estää juuttumista.
- ◆ Varmista, että kytkin käynnistää ja sammuttaa poran.

## Puun poraaminen

Puuhun voidaan porata reikiä samoilla kieräporanterillä kuin metalliin, tai litteäteräisillä poranterillä. Näiden terien tulisi olla teräviä ja porattaessa ne tulisi vetää ulos usein purujen poistamiseksi urista.

## Metallin poraaminen

Käytä leikkujäähdytysnestettä, kun poraat metalleja. Poikkeuksia ovat valurauta ja messinki, joita tulee porata kuivina. Parhaiten toimivia leikkujäähdytysnesteitä ovat rikitetty leikkuukoöljy.

## LED-työvalo

Kun poralla edetään vetämällä liipaisimesta (1), integroitu LED-työvalo (8) syttyy automaattisesti työalueen valaisemiseksi.

**Huomautus:** Työvalo on tarkoitettu välittömän työpinnan valaisuun eikä sitä ole tarkoitettu käytettäväksi taskulamppuna.

## Terän säilytystila

Terän säilytysaukko (9) sijaitsee työkalun kannassa.

## Vianetsintä

Ongelma	Mahdollinen syy	Mahdollinen ratkaisu
Laite ei käynnisty.	Akkua ei ole asennettu oikein. Akku ei ole latautunut.	Tarkista akun asennus. Tarkista akun latausvaatimukset
Laite käynnistyy välittömästi akun kytkemisen jälkeen.	Kytkin on jätetty "Päällä"-asentoon.	Kytkin tulee siirtää "Pois päältä"-asentoon, jotta työkalu ei käynnistyisi heti akun kytkemisen jälkeen.
Akku ei lataudu.	Akkua ei ole asetettu laturiin. Laturia ei ole kytketty pistorasiaan. Ympäristölämpötila on liian korkea tai liian alhainen.	Työnnä akku laturiin, kunnes punaiset LED-valot syttyvät. Kytke laturi pistorasiaan. Siirrä laturi ja akku ympäristöön, jonka lämpötila on yli 4,5°C tai alle +40,5°C.
Laite sammuu äkkinäisesti.	Akun maksimilämpötila on saavutettu. Ei virtaa. (Akun maksimaalista käyttöikää varten akku sammuu tarkoituksella äkkinäisesti virran loppuessa)	Anna akun jäähtyä. Aseta laturiin ja anna latautua.

## Huolto

BLACK+DECKER-työkalu on suunniteltu toimimaan mahdollisimman pitkän aikaa mahdollisimman vähällä huollolla. Oikea käsittely ja säännöllinen puhdistus varmistavat laitteen ongelmattoman toiminnan.

Laturi ei tarvitse säännöllisen puhdistamisen lisäksi mitään muuta huoltoa.

**Varoitus!** Poista akku ennen työkalun huoltamista. Irrota laturi pistorasiasta ennen laturin puhdistamista.

- ◆ Puhdista työkalun ja laturin ilma-aukot säännöllisesti pehmeällä harjalla tai kuivalla liinalla.
- ◆ Puhdista moottorin kotelo säännöllisesti kostealla liinalla. Älä käytä hankaavia tai liuotinpohjaisia puhdistusaineita.
- ◆ Avaa istukka säännöllisesti ja naputtele pöly pois sen sisältä.

## Ympäristönsuojelu



Toimita tämä laite erilliskeräykseen. Tällä symbolilla merkityt tuotteita ja akkuja ei saa hävittää tavallisen kotitalousjätteen mukana.

Tuotteissa ja akuissa on materiaaleja, jotka voidaan ottaa talteen tai kierrättää uudelleen käyttöä varten.

Kierrätä sähkölaitteet ja akut paikallisten määräysten mukaan. Lisätietoa on saatavilla osoitteessa [www.2helpU.com](http://www.2helpU.com)

## Tekniset tiedot

BL186 H2		
Jännite	$V_{DC}$	18 V
Kuormittamaton nopeus	$Min^{-1}$	0-450 / 0-1800
Maks. vääntömomentti	Nm	52
Istukan kapasiteetti	mm	13
Suurin mahdollinen porausteho		
Teräs/puu	mm	13/35
Paino	kg	1,08 (1,46 akulla varustettuna)

Laturi	905902**	906349**
Syöttöjännite	$V_{AC}$ 100- 240	220 - 240
Lähtöjännite	$V_{DC}$ 8 - 20	8 - 20
Virta	mA 400	1000
Arvioitu latausaika	h 4 - 10	1,5 - 4

Akku	BL1518	BL2018	BL4018
Jännite	$V_{DC}$ 18	18	18
Teho	Ah 1,5	2,0	4,0
Tyyppi	Li-Ion	Li-Ion	Li-Ion

Äänenpainetaso standardin EN 62841 mukaisesti:

Äänenpaine ( $L_{pA}$ ) 67 dB(A), epävarmuus (K) 5 dB(A)

Äänitehotaso ( $L_{WA}$ ) 78 dB(A), epävarmuus (K) 5 dB(A)

Tärinän kokonaisarvot (vektorisumma) standardin EN 62841 mukaisesti:

Porattaessa metallia ( $a_{h,D}$ ) 1,7 m/s<sup>2</sup>, epävarmuus (K) 1,5 m/s<sup>2</sup>

## EY-vaatimustenmukaisuusvakuutus

KONEDIREKTIIVI



BL186 - Porakone

Black & Decker ilmoittaa, että tuotteet, jotka on kuvattu kohdassa "Tekniset tiedot" ovat seuraavien direktiivien vaatimusten mukaisia:

2006/42/EY, EN62841-1:2015, EN62841-2-1:2018+A11:2019, Nämä tuotteet täyttävät myös direktiivien 2014/30/EU ja 2011/65/EU vaatimukset.

Lisätietoja saa ottamalla yhteyden Black & Deckeriin seuraavassa osoitteessa. Tiedot ovat myös käyttöohjeen takakannessa.

Allekirjoittanut vastaa teknisten tietojen kokoamisesta tehden tämän ilmoituksen Black & Deckerin puolesta.

*Patrick Diepenbach*

Patrick Diepenbach  
Toimitusjohtaja, Benelux  
Black and Decker,  
Egide Walschaertsstraat 14-18  
2800 Mechelen, Belgia  
30.11.2021

## Takuu

Black & Decker on vakuuttanut tuotteidensa korkeasta laadusta ja tarjoaa kuluttajille 24 kuukauden takuun, joka astuu voimaan ostopäivänä. Takuu on lisäys kuluttajan laillisiin oikeuksiin eikä vaikuta niihin. Tämä takuu on voimassa kaikissa EU- ja ETA-maissa.

Edellytyksenä takuun saamiselle on, että vaade täyttää Black & Deckerin ehdot ja että ostaja toimittaa ostotositteen jälleenmyyjälle tai valtuutetulle huoltoliikkeelle.

Black & Deckerin kahden vuoden takuun ehdot ja lähimmän valtuutetun korjauspalvelun yhteystiedot ovat saatavilla osoitteessa [www.2helpU.com](http://www.2helpU.com) tai ottamalla yhteyttä paikalliseen Black & Deckerin toimipisteeseen tässä ohjekirjassa ilmoitettuihin osoitteisiin.

Käy verkkosivuiltamme osoitteessa [www.blackanddecker.fi](http://www.blackanddecker.fi) ja rekisteröi uusi Black & Decker -tuotteesi saadaksesi tietoa uusista tuotteista ja erikoistarjouksista.

## Προβλεπόμενη χρήση

Το δράπανο BLACK+DECKER BL186 έχει σχεδιαστεί για εφαρμογές βιδώματος και για διάτρηση σε ξύλο, μέταλλο και πλαστικά. Αυτό το εργαλείο προορίζεται μόνο για ερασιτεχνική χρήση.

## Οδηγίες ασφαλείας

### Γενικές προειδοποιήσεις ασφαλείας για ηλεκτρικά εργαλεία



**Προειδοποίηση!** Διαβάστε όλες τις προειδοποιήσεις ασφαλείας, τις οδηγίες, τις απεικονίσεις και τις προδιαγραφές που συνοδεύουν αυτό το ηλεκτρικό εργαλείο. Η μη τήρηση οποιασδήποτε από τις οδηγίες που αναφέρονται πιο κάτω μπορεί να έχει ως αποτέλεσμα ηλεκτροπληξία, πυρκαγιά και/ή σοβαρό τραυματισμό.

Φυλάξτε όλες τις προειδοποιήσεις και τις οδηγίες για μελλοντική αναφορά.

Ο όρος "ηλεκτρικό εργαλείο" που χρησιμοποιείται σε όλες τις παρακάτω προειδοποιήσεις, αναφέρεται είτε σε εργαλείο που λειτουργεί με ρεύμα δικτύου (ρεύματος - με καλώδιο) είτε σε εργαλείο που λειτουργεί με μπαταρία (μπαταρίας - χωρίς καλώδιο).

### 1. Ασφάλεια περιοχής εργασίας

- Διατηρείτε την περιοχή εργασίας καθαρή και καλά φωτισμένη.** Οι ατακτοποιητοί ή σκοτεινοί χώροι γίνονται αιτίες ατυχημάτων.
- Μη χρησιμοποιείτε ηλεκτρικά εργαλεία σε περιβάλλον όπου υπάρχει κίνδυνος έκρηξης, π.χ. με παρουσία εύφλεκτων υγρών, αερίων ή σκόνης.** Τα ηλεκτρικά εργαλεία παράγουν σπινθήρες που μπορεί να προκαλέσουν ανάφλεξη της σκόνης ή των αναθυμιάσεων.
- Όταν χρησιμοποιείτε ηλεκτρικό εργαλείο κρατάτε μακριά παιδιά και τυχόν άλλα παρευρισκόμενα άτομα.** Παράγοντες που αποσπούν την προσοχή μπορεί να σας κάνουν να χάσετε τον έλεγχο.

### 2. Ασφαλής χρήση ηλεκτρικού ρεύματος

- Το φως του καλωδίου του ηλεκτρικού εργαλείου πρέπει να ταιριάζει στην αντίστοιχη πρίζα. Σε καμία περίπτωση μην τροποποιήσετε το φως, με κανένα τρόπο.**  
**Μη χρησιμοποιείτε φως προσαρμογής με γειωμένα ηλεκτρικά εργαλεία.** Τα φως που δεν έχουν υποστεί τροποποιήσεις και οι κατάλληλες πρίζες μειώνουν τον κίνδυνο ηλεκτροπληξίας.
- Αποφύγετε την επαφή του σώματος με γειωμένες επιφάνειες όπως σωλήνες, σώματα καλοριφέρ, κουζίνες και ψυγεία.** Υπάρχει αυξημένος κίνδυνος ηλεκτροπληξίας αν το σώμα σας είναι γειωμένο.
- Μην εκθέτετε τα ηλεκτρικά εργαλεία σε βροχή ή υγρασία.** Η διείσδυση νερού σε ένα ηλεκτρικό εργαλείο αυξάνει τον κίνδυνο ηλεκτροπληξίας.
- Μην κακομεταχειρίζεστε το καλώδιο. Ποτέ μη χρησιμοποιήσετε το καλώδιο για να μεταφέρετε, να τραβήξετε ή να αποσυνδέσετε από την πρίζα το ηλεκτρικό εργαλείο.** Κρατάτε το καλώδιο μακριά από θερμότητα, λάδια, αιχμηρά άκρα ή κινούμενα μέρη. Τα καλώδια που έχουν υποστεί ζημιά ή είναι μπερδεμένα αυξάνουν τον κίνδυνο ηλεκτροπληξίας.
- Όταν χρησιμοποιείτε το ηλεκτρικό εργαλείο σε εξωτερικούς χώρους, να χρησιμοποιείτε πάντοτε καλώδια επέκτασης κατάλληλα για χρήση σε εξωτερικούς χώρους.** Η χρήση καλωδίου κατάλληλου για εργασία σε εξωτερικούς χώρους μειώνει τον κίνδυνο ηλεκτροπληξίας.
- Εάν είναι αναπόφευκτη η χρήση ηλεκτρικού εργαλείου σε υγρή τοποθεσία, χρησιμοποιήστε μια Διάταξη προστασίας ρεύματος διαρροής (RCD).** Η χρήση μιας διάταξης RCD μειώνει τον κίνδυνο ηλεκτροπληξίας.

### 3. Προσωπική ασφάλεια

- a. **Όταν χρησιμοποιείτε ηλεκτρικό εργαλείο, να είστε προσεκτικοί, να δίνετε προσοχή στην εργασία που κάνετε και να επιστρατεύετε την κοινή λογική. Μη χρησιμοποιείτε ηλεκτρικό εργαλείο όταν είστε κουρασμένος/η ή υπό την επήρεια ναρκωτικών, οινοπνεύματος ή φαρμακευτικής αγωγής.** Μια στιγμή απροσεξίας κατά τη χρήση ηλεκτρικών εργαλείων μπορεί να προκαλέσει σοβαρό τραυματισμό.
- b. **Χρησιμοποιείτε εξοπλισμό ατομικής προστασίας. Πάντα φοράτε προστασία ματιών.** Ο εξοπλισμός προστασίας, όπως μάσκα κατά της σκόνης, αντιολισθητικά παπούτσια ασφαλείας, κράνος ή προστασία ακοής, όταν χρησιμοποιείται για τις κατάλληλες συνθήκες, θα μειώσει τους τραυματισμούς και τις σωματικές βλάβες.
- c. **Εμποδίστε την ακούσια ενεργοποίηση του εργαλείου. Βεβαιωθείτε ότι ο διακόπτης βρίσκεται στη θέση απενεργοποίησης, πριν συνδέσετε το εργαλείο στην πηγή ρεύματος και/ή τοποθετήσετε το πακέτο μπαταριών, καθώς και πριν πάρετε στα χέρια σας ή μεταφέρετε το εργαλείο.** Η μεταφορά ηλεκτρικών εργαλείων με το δάχτυλο πάνω στον διακόπτη ή η σύνδεση στο ρεύμα ηλεκτρικών εργαλείων με τον διακόπτη στη θέση ενεργοποίησης, ενέχει κινδύνους ατυχημάτων.
- d. **Πριν βέστετε το ηλεκτρικό εργαλείο σε λειτουργία, αφαιρέστε τυχόν εργαλεία ή κλειδιά ρύθμισης.** Εάν αφήσετε ένα εργαλείο ή κλειδί πάνω σε κάποιο περιστρεφόμενο εξάρτημα του ηλεκτρικού εργαλείου, μπορεί να προκληθούν τραυματισμοί.
- e. **Μην τεντώνετε υπερβολικά. Διατηρείτε πάντα σταθερή στήριξη στα πόδια σας και καλή ισορροπία.** Έτσι μπορείτε να έχετε καλύτερο έλεγχο του ηλεκτρικού εργαλείου σε μη αναμενόμενες καταστάσεις.
- f. **Φοράτε κατάλληλο ρουχισμό. Μη φοράτε φαρδιά ρούχα ούτε κοσμήματα. Κρατάτε τα μαλλιά, τα ρούχα και τα γάντια σας μακριά από κινούμενα μέρη.** Τα φαρδιά ρούχα, τα κοσμήματα και τα μακριά μαλλιά μπορούν να πιαστούν σε κινούμενα μέρη.
- g. **Αν παρέχονται διατάξεις για τη σύνδεση εξοπλισμού απομάκρυνσης και συλλογής της σκόνης, να βεβαιώνετε ότι αυτές έχουν συνδεθεί και χρησιμοποιούνται σωστά.** Η χρήση διατάξεων συλλογής της σκόνης μπορεί να μειώσει τους κινδύνους που προέρχονται από τη σκόνη.
- h. **Μην αφήνετε την εξοικείωση που έχετε αποκτήσει από τη συχνή χρήση εργαλείων να σας επιτρέψει να εφησυχάσετε ώστε να αγνοείτε τις αρχές ασφαλούς χρήσης των εργαλείων.** Μια απρόσεκτη ενέργεια μπορεί να προκαλέσει βαρύ τραυματισμό μέσα σε κλάσματα του δευτερολέπτου.

### 4. Χρήση και φροντίδα ηλεκτρικών εργαλείων

- a. **Μην υπερφορτώνετε το ηλεκτρικό εργαλείο. Χρησιμοποιείτε το σωστό ηλεκτρικό εργαλείο για την εφαρμογή σας.**  
Το σωστό ηλεκτρικό εργαλείο θα εκτελέσει την εργασία καλύτερα και ασφαλέστερα, με την ένταση χρήσης για την οποία σχεδιάστηκε.
- b. **Μη χρησιμοποιείτε το ηλεκτρικό εργαλείο αν ο διακόπτης του δεν το ενεργοποιεί και απενεργοποιεί.** Οποιοδήποτε ηλεκτρικό εργαλείο του οποίου η λειτουργία δεν μπορεί να ελεγχθεί με τον διακόπτη είναι επικίνδυνο και πρέπει να επισκευαστεί.
- c. **Αποσυνδέστε το φως από την πηγή ρεύματος και/ή αφαιρέστε το πακέτο μπαταριών, αν είναι αποσπώσιμο, από το ηλεκτρικό εργαλείο πριν πραγματοποιήσετε οποιοδήποτε ρυθμίσεις, αλλάξετε αξεσουάρ, ή αποθηκεύσετε ηλεκτρικά εργαλεία.** Τέτοια προληπτικά μέτρα ασφαλείας μειώνουν το κίνδυνο αθέλητης εκκίνησης του ηλεκτρικού εργαλείου.
- d. **Φυλάσσετε μακριά από παιδιά τα ηλεκτρικά εργαλεία που δεν χρησιμοποιείτε και μην αφήνετε να χρησιμοποιήσουν ηλεκτρικό εργαλείο άτομα που δεν είναι εξοικειωμένα με αυτό ή άτομα που δεν έχουν διαβάσει αυτές τις οδηγίες χρήσης.** Τα ηλεκτρικά εργαλεία είναι επικίνδυνα στα χέρια μη εκπαιδευμένων χρηστών.
- e. **Συντηρείτε τα ηλεκτρικά εργαλεία και τα αξεσουάρ. Ελέγχετε για προβλήματα ευθυγράμμισης ή για μάγκωμα των κινούμενων εξαρτημάτων, θραύση εξαρτημάτων, καθώς και για οποιοδήποτε άλλο πρόβλημα μπορεί να επηρεάσει τη λειτουργία των ηλεκτρικών εργαλείων. Αν το ηλεκτρικό εργαλείο έχει υποστεί ζημιά, φροντίστε να επισκευαστεί πριν το χρησιμοποιήσετε.** Η ανεπαρκής συντήρηση των ηλεκτρικών εργαλείων αποτελεί αιτία πολλών ατυχημάτων.
- f. **Διατηρείτε τα κοπτικά εργαλεία κοφτερά και καθαρά.** Τα κοπτικά εργαλεία με κοφτερές κοπτικές αιχμές που συντηρούνται σωστά έχουν λιγότερες πιθανότητες να μαγκώσουν και ελέγχονται ευκολότερα.
- g. **Χρησιμοποιείτε τα ηλεκτρικά εργαλεία, τα αξεσουάρ, τις μύτες εργαλείων κλπ. σύμφωνα με τις παρούσες οδηγίες, λαμβάνοντας υπόψη σας τις συνθήκες εργασίας και την εργασία που θέλετε να εκτελέσετε.** Η χρήση του ηλεκτρικού εργαλείου για εργασίες διαφορετικές από τις προβλεπόμενες θα μπορούσε να οδηγήσει σε επικίνδυνη κατάσταση.
- h. **Διατηρείτε τις λαβές και τις επιφάνειες κρατήματος στεγνές, καθαρές και απαλλαγμένες από λάδι και γράσο.** Οι ολισθηρές λαβές και επιφάνειες κρατήματος δεν επιτρέπουν τον ασφαλή χειρισμό και έλεγχο του εργαλείου σε μη αναμενόμενες καταστάσεις.



## 5. Χρήση και φροντίδα εργαλείων μπαταρίας (χρησιμοποιείται μόνο για εργαλεία μπαταρίας)

### a. Επαναφορτίζετε μόνο με τον φορτιστή που καθορίζει ο κατασκευαστής.

Ένας φορτιστής που είναι κατάλληλος για ένα τύπο πακέτου μπαταριών μπορεί να δημιουργήσει κίνδυνο πυρκαγιάς όταν χρησιμοποιείται με άλλο πακέτο μπαταρίας.

### b. Χρησιμοποιείτε τα ηλεκτρικά εργαλεία αποκλειστικά και μόνο με τα καθοριζόμενα πακέτα μπαταριών. Η χρήση άλλων πακέτων μπαταριών μπορεί να προκαλέσει κίνδυνο τραυματισμού και πυρκαγιάς.

### c. Όταν το πακέτο μπαταριών δεν χρησιμοποιείται, μην το πλησιάζετε σε μεταλλικά αντικείμενα, όπως συνδετήρες, κέρματα, κλειδιά, καρφιά, βίδες ή άλλα μικρά μεταλλικά αντικείμενα που μπορούν να βραχυκυκλώσουν τους δύο ακροδέκτες του. Αν βραχυκυκλωθούν οι ακροδέκτες της μπαταρίας, μπορεί να προκληθούν εγκαύματα ή πυρκαγιά.

### d. Αν οι μπαταρίες υποστούν κακομεταχείριση, μπορεί να διαρρεύσει υγρό. Αποφύγετε την επαφή. Αν κατά λάθος έρθετε σε επαφή, ξεπλύνετε με νερό. Σε περίπτωση που το υγρό έλθει σε επαφή με τα μάτια σας, ζητήστε επιπλέον και ιατρική βοήθεια. Το υγρό που εξέρχεται από την μπαταρία μπορεί να προκαλέσει ερεθισμούς ή εγκαύματα.

### e. Μην χρησιμοποιήσετε πακέτο μπαταριών ή εργαλείο που έχει υποστεί ζημιά ή τροποποίηση. Οι μπαταρίες που έχουν υποστεί ζημιά ή τροποποίηση μπορεί να έχουν απρόβλεπτη συμπεριφορά, με αποτέλεσμα φωτιά, έκρηξη ή κίνδυνο τραυματισμού.

### f. Μην εκθέσετε ένα πακέτο μπαταριών ή εργαλείο σε φωτιά ή υπερβολική θερμοκρασία. Η έκθεση σε φωτιά ή σε θερμοκρασία πάνω από 130 °C μπορεί να προκαλέσει έκρηξη. ΣΗΜΕΙΩΣΗ: Η θερμοκρασία "130 °C" μπορεί να αντικατασταθεί από τη θερμοκρασία "265 °F".

### g. Τηρείτε όλες τις οδηγίες φόρτισης και μη φορτίζετε το πακέτο μπαταριών ή το εργαλείο εκτός των ορίων θερμοκρασίας που ορίζονται στις προδιαγραφές. Η ακατάλληλη φόρτιση ή η φόρτιση σε θερμοκρασίες εκτός των προβλεπόμενων ορίων μπορεί να προξενήσει ζημιά στην μπαταρία και να αυξήσει τον κίνδυνο φωτιάς.

## 6. Σέρβις

### a. Το σέρβις του ηλεκτρικού σας εργαλείου πρέπει να αναλαμβάνει έμπειρος τεχνικός που θα χρησιμοποιεί μόνο γνήσια ανταλλακτικά. Έτσι θα εξασφαλίσετε τη διατήρηση της ασφάλειας του ηλεκτρικού εργαλείου.

### b. Ποτέ μην κάνετε σέρβις σε πακέτα μπαταριών που έχουν υποστεί ζημιά. Το σέρβις των πακέτων μπαταριών πρέπει να γίνεται μόνο από τον κατασκευαστή ή από εξουσιοδοτημένους παρόχους σέρβις (χρησιμοποιείται μόνο για εργαλεία μπαταρίας).

## Οδηγίες ασφαλείας για όλες τις εργασίες

- Φοράτε προστατευτικά ακοής κατά την κρουστική διάτρηση. Η έκθεση σε θόρυβο μπορεί να προκαλέσει απώλεια ακοής.
- Κρατάτε το ηλεκτρικό εργαλείο από μονωμένες επιφάνειες κρατήματος όταν εκτελείτε κάποια εργασία κατά την οποία το αξεσουάρ κοπής ή το στοιχείο στερέωσης μπορεί να έρθει σε επαφή με αθέατα καλώδια. Αν αξεσουάρ κοπής ή το στοιχείο στερέωσης έρθει σε επαφή με καλώδιο υπό τάση, μπορεί να θεθούν υπό ηλεκτρική τάση και τα εκτεθειμένα μεταλλικά μέρη του ηλεκτρικού εργαλείου και να προκληθεί ηλεκτροπληξία στον χειριστή.

## Οδηγίες ασφαλείας για την περίπτωση χρήσης τρυπανιών μεγάλου μήκους

- Ποτέ μη χρησιμοποιείτε ταχύτητα υψηλότερη από τη μέγιστη ονομαστική ταχύτητα του τρυπανιού. Σε υψηλότερες ταχύτητες, το τρυπάνι είναι πιθανό να λυγίσει αν επιτραπεί να περιστραφεί ελεύθερα χωρίς να είναι σε επαφή με το αντικείμενο εργασίας, με αποτέλεσμα τραυματισμό.
- Πάντα να ξεκινάτε τη διάτρηση σε χαμηλή ταχύτητα και με τη μύτη του τρυπανιού σε επαφή με το αντικείμενο εργασίας. Σε υψηλότερες ταχύτητες, το τρυπάνι είναι πιθανό να λυγίσει αν επιτραπεί να περιστραφεί ελεύθερα χωρίς να είναι σε επαφή με το αντικείμενο εργασίας, με αποτέλεσμα τραυματισμό.
- Εφαρμόζετε πίεση μόνο σε ευθεία γραμμή με το τρυπάνι και μην εφαρμόζετε υπερβολική πίεση. Τα τρυπάνια μπορεί να λυγίσουν προκαλώντας θραύση ή απώλεια του ελέγχου με αποτέλεσμα τραυματισμό.

## Πρόσθετες προειδοποιήσεις ασφαλείας για δράπανο/ κατασάβιδι/ κρουστικό δράπανο

- Χρησιμοποιείτε σφιγκτήρες ή άλλο πρακτικό τρόπο για να στερεώνετε και να στηρίζετε το αντικείμενο εργασίας σε σταθερό υπόβαθρο. Αν κρατάτε το αντικείμενο εργασίας με το χέρι σας ή κόντρα στο σώμα σας, αυτό δεν είναι σταθερό και μπορεί να προκληθεί απώλεια ελέγχου.
- Τα αξεσουάρ και το εργαλείο μπορεί να αποκτήσουν υψηλή θερμοκρασία κατά τη λειτουργία. Φοράτε γάντια όταν τα χειρίζεστε, αν εκτελείτε εργασίες κατά τις οποίες παράγεται θερμότητα όπως η διάτρηση μετάλλων.
- Τα ανοίγματα αερισμού συχνά καλύπτουν κινούμενα μέρη και θα πρέπει να αποφεύγονται. Τα ρούχα με φαρδιά εφαρμογή, τα κοσμήματα και τα μακριά μαλλιά μπορούν να πιαστούν σε κινούμενα μέρη.
- Φοράτε γυαλιά ασφαλείας ή άλλη προστασία των ματιών. Οι εργασίες κρούσης και διάτρησης προκαλούν εκτίναξη θραυσμάτων. Τα εκτινασσόμενα σωματίδια μπορούν να προκαλέσουν μόνιμη βλάβη στα μάτια.

- Φοράτε προστατευτικά ακοής κατά την κρουστική διάτρηση. Η έκθεση σε θόρυβο μπορεί να προκαλέσει απώλεια ακοής.
- Χρησιμοποιείτε τη(τις) βοηθητική(-ές) λαβή(-ές) αν παρέχεται(-ονται) μαζί με το εργαλείο. Η απώλεια ελέγχου μπορεί να προκαλέσει σωματική βλάβη.
- Μη χρησιμοποιείτε το εργαλείο αυτό για παρατεταμένα χρονικά διαστήματα. Οι κραδασμοί που προκαλούνται από τη δράση του εργαλείου μπορεί να είναι επιβλαβείς για τα χέρια και τους βραχιόνες σας. Χρησιμοποιείτε γάντια για πρόσθετη προστατευτική δράση και περιορίζετε την έκθεση κάνοντας συχνά διαλείμματα ξεκούρασης.

### Ασφάλεια τρίτων

- Αυτή η συσκευή μπορεί να χρησιμοποιηθεί από παιδιά ηλικίας 8 ετών και άνω καθώς και από άτομα με μειωμένες σωματικές, αισθητηριακές ή διανοητικές ικανότητες ή άτομα χωρίς εμπειρία και γνώσεις, μόνο εφόσον επιτηρούνται ή τους έχουν δοθεί οδηγίες σχετικά με την ασφαλή χρήση της συσκευής και έχουν κατανοήσει τους πιθανούς κινδύνους.
- Τα παιδιά δεν πρέπει να παίζουν με τη συσκευή. Ο καθαρισμός και η συντήρηση από τον χρήστη δεν πρέπει να γίνονται από παιδιά χωρίς επίβλεψη.

### Υπολειπόμενοι κίνδυνοι

Κατά τη χρήση του εργαλείου μπορεί να δημιουργηθούν πρόσθετοι υπολειπόμενοι κίνδυνοι, οι οποίοι ενδέχεται να μη συμπεριλαμβάνονται στις προειδοποιήσεις ασφαλείας που εσωκλείονται. Αυτοί οι κίνδυνοι μπορεί να προκληθούν από κακή χρήση, παρατεταμένη χρήση κλπ. Παρά την εφαρμογή των σχετικών κανονισμών ασφαλείας και τη χρήση διατάξεων ασφαλείας, ορισμένοι υπολειπόμενοι κίνδυνοι δεν είναι δυνατό να αποφευχθούν. Σε αυτούς περιλαμβάνονται:

- Τραυματισμοί από την επαφή με οποιαδήποτε περιστρεφόμενα/κινούμενα μέρη.
- Τραυματισμοί από αλλαγή οποιωνδήποτε εξαρτημάτων, λεπίδων ή αξεσουάρ.
- Σωματικές βλάβες από παρατεταμένη χρήση εργαλείου. Όταν χρησιμοποιείτε οποιοδήποτε εργαλείο για παρατεταμένα χρονικά διαστήματα, μην παραλείπετε με κανένα τρόπο να κάνετε τακτικά διαλείμματα.
- Βλάβη της ακοής.
- Κίνδυνοι για την υγεία λόγω εισπνοής σκόνης που αναπτύσσεται κατά τη χρήση του εργαλείου (παράδειγμα:- εργασία με ξύλο, ειδικά βελανιδιά, οξιά και MDF).

### Κραδασμοί

Η δηλωμένη τιμή εκπομπής κραδασμών που αναφέρεται στα τεχνικά χαρακτηριστικά και τη δήλωση συμμόρφωσης έχει μετρηθεί σύμφωνα με τυποποιημένη μέθοδο δοκιμής που προβλέπεται από το πρότυπο EN62841 και μπορεί να χρησιμοποιηθεί για τη σύγκριση ενός εργαλείου με ένα άλλο. Η δηλωμένη τιμή εκπομπής κραδασμών μπορεί επίσης να χρησιμοποιηθεί σε έναν προκαταρκτικό προσδιορισμό της έκθεσης σε κραδασμούς.



**Προειδοποίηση!** Στην πράξη, η τιμή εκπομπής κραδασμών κατά την χρήση του ηλεκτρικού εργαλείου μπορεί να διαφέρει από την τιμή που δηλώθηκε, ανάλογα με τον τρόπο που χρησιμοποιείται το εργαλείο. Το επίπεδο κραδασμών μπορεί να αυξηθεί πάνω από το επίπεδο που έχει δηλωθεί.

Κατά τον προσδιορισμό της έκθεσης σε κραδασμούς για τον καθορισμό των απαιτούμενων μέτρων ασφαλείας σύμφωνα με την οδηγία 2002/44/ΕΚ για την προστασία προσώπων που χρησιμοποιούν συχνά ηλεκτρικά εργαλεία στην εργασία τους, μια προσεγγιστική εκτίμηση της έκθεσης σε κραδασμούς πρέπει να λαμβάνει υπόψη τις πραγματικές συνθήκες χρήσης και τον τρόπο χρήσης του εργαλείου, συμπεριλαμβανομένων και όλων των επιμέρους τμημάτων του κύκλου εργασίας, όπως τα χρονικά διαστήματα που το εργαλείο ήταν εκτός λειτουργίας και τα διαστήματα λειτουργίας χωρίς φορτίο, επιπλέον του χρόνου πίεσης της σκανδάλης.

### Ετικέτες πάνω στο εργαλείο

Το εργαλείο φέρει τα παρακάτω προειδοποιητικά σύμβολα μαζί με τον κωδικό ημερομηνίας:



**Προειδοποίηση!** Για να μειωθεί ο κίνδυνος τραυματισμού, ο χρήστης πρέπει να διαβάσει το εγχειρίδιο οδηγιών.



Μην κοιτάζετε απ' ευθείας τη λάμπα λειτουργίας

### Πρόσθετες οδηγίες ασφαλείας για μπαταρίες και φορτιστές

#### Μπαταρίες

- Ποτέ μην επιχειρήσετε να ανοίξετε το προϊόν για κανένα λόγο.
- Μην εκθέτετε την μπαταρία σε νερό.
- Μην εκθέτετε την μπαταρία σε θερμότητα.
- Μην αποθηκεύετε σε τοποθεσίες όπου η θερμοκρασία ενδέχεται να υπερβαίνει τους 40 °C.
- Φορτίζετε μόνο σε θερμοκρασίες περιβάλλοντος μεταξύ 10 °C και 40 °C.
- Η φόρτιση πρέπει να γίνεται μόνο με τον φορτιστή που παρέχεται μαζί με τη συσκευή/εργαλείο.

- Όταν απορρίπτετε τις μπαταρίες, ακολουθήστε τις οδηγίες που δίνονται στην ενότητα "Προστασία του περιβάλλοντος".
- Μην προξενήσετε ζημιά στο πακέτο μπαταριών και μην το παραμορφώσετε, είτε τρυπώντας είτε χτυπώντας το, επειδή μπορεί να προκληθεί κίνδυνος τραυματισμού ή πυρκαγιάς.
- Μη φορτίζετε μπαταρίες που έχουν υποστεί ζημιά.
- Κάτω από ακραίες συνθήκες, μπορεί να επέλθει διαρροή υγρών μπαταρίας. Αν παρατηρήσετε υγρό πάνω στις μπαταρίες, σκουπίστε το προσεκτικά με ένα πανί. Αποφύγετε την επαφή με το δέρμα.
- Στην περίπτωση επαφής με το δέρμα ή τα μάτια, ακολουθήστε τις παρακάτω οδηγίες.



**Προειδοποίηση!** Το υγρό της μπαταρίας μπορεί να προκαλέσει σωματικές βλάβες ή υλικές ζημιές. Σε περίπτωση επαφής με το δέρμα, ξεπλύνετε αμέσως με άφθονο νερό. Αν παρουσιαστεί κοκκίνισμα του δέρματος, πόνος ή ερεθισμός, ζητήστε ιατρική βοήθεια.  
Σε περίπτωση επαφής με τα μάτια, ξεπλύνετε αμέσως με καθαρό νερό και ζητήστε ιατρική βοήθεια.

### Φορτιστές

Ο φορτιστής σας είναι σχεδιασμένος για συγκεκριμένη ηλεκτρική τάση. Ελέγχετε πάντα ότι η τάση ρεύματος δικτύου συμφωνεί με αυτήν που αναγράφεται στην πινακίδα τεχνικών χαρακτηριστικών.



**Προειδοποίηση!** Ποτέ μην επιχειρήσετε να αντικαταστήσετε τη μονάδα φορτιστή με κανονικό φως ρεύματος δικτύου.

- Ο φορτιστής πρέπει να χρησιμοποιείται αποκλειστικά και μόνο για τη φόρτιση της μπαταρίας του εργαλείου το οποίο συνοδεύει. Άλλες μπαταρίες ενδέχεται να εκραγούν, προκαλώντας τραυματισμό από μωμν και ζημιές.
- Μην επιχειρήσετε ποτέ να φορτίσετε μη επαναφορτιζόμενες μπαταρίες.
- Αν το καλώδιο ρεύματος έχει υποστεί ζημιά, πρέπει να αντικατασταθεί από τον κατασκευαστή ή από ένα εξουσιοδοτημένο Κέντρο Σέρβις, για την αποφυγή κινδύνου.
- Φροντίζετε να αντικαθίστανται άμεσα τα καλώδια που έχουν υποστεί ζημιά.
- Μην εκθέτετε τον φορτιστή σε νερό.
- Μην ανοίγετε τον φορτιστή.
- Μην εισάγετε οποιαδήποτε αντικείμενα μέσα στον φορτιστή.
- Κατά τη φόρτιση, η συσκευή/το εργαλείο/η μπαταρία πρέπει να βρίσκεται σε καλά αεριζόμενο χώρο.



Ο φορτιστής προορίζεται για χρήση μόνο σε εσωτερικούς χώρους.

### Ασφαλής χρήση ηλεκτρικού ρεύματος



Αυτός ο φορτιστής φέρει διπλή μόνωση, επομένως δεν απαιτείται αγωγός γείωσης. Πάντα ελέγχετε ότι η παροχή ρεύματος αντιστοιχεί στην τάση που αναφέρεται στην πινακίδα στοιχείων.

Αν το καλώδιο ρεύματος έχει υποστεί ζημιά, πρέπει να αντικατασταθεί από τον κατασκευαστή ή εξουσιοδοτημένο κέντρο σέρβις BLACK+DECKER για την αποφυγή κινδύνου.

### Χαρακτηριστικά

Η συσκευή αυτή διαθέτει μερικά ή όλα από τα παρακάτω χαρακτηριστικά.

1. Διακόπτης σκανδάλης
2. Κουμπί επιλογής κίνησης εμπρός/όπισθεν
3. Κολάρο ρύθμισης ροπής
4. Επιλογέας ταχύτητας δύο περιοχών
5. Αυτόματο τσοκ
6. Μπαταρία
7. Κουμπί απελευθέρωσης μπαταρίας
8. Φως εργασίας LED
9. Υποδοχή μύτης

### Χρήση

**Προειδοποίηση!** Αφήνετε το εργαλείο να λειτουργήσει με τον δικό του ρυθμό.

Μην το υπερφορτώνετε.

### Φόρτιση της μπαταρίας - Εικόνα Α

Η μπαταρία πρέπει να φορτιστεί πριν την πρώτη χρήση και όταν δεν μπορεί πλέον να παρέχει επαρκή ισχύ σε εργασίες που πριν γίνοντουσαν εύκολα. Η μπαταρία μπορεί να θερμαίνεται κατά τη φόρτιση. Κάτι τέτοιο είναι φυσιολογικό και δεν υποδηλώνει πρόβλημα.

**Προειδοποίηση!** Μη φορτίζετε την μπαταρία σε θερμοκρασίες περιβάλλοντος κάτω από 10 °C ή πάνω από 40 °C. Η συνιστώμενη θερμοκρασία φόρτισης είναι περίπου 24 °C.

**Σημείωση:** Ο φορτιστής δεν θα φορτίσει μια μπαταρία με θερμοκρασία στοιχείων κάτω από περίπου 10 °C ή πάνω από 40 °C.

Η μπαταρία θα πρέπει να παραμείνει στον φορτιστή και αυτός θα αρχίσει να τη φορτίζει αυτόματα μόλις η θερμοκρασία στοιχείων αυξηθεί ή μειωθεί αντίστοιχα.

- ◆ Συνδέστε τον φορτιστή σε οποιαδήποτε κανονική πρίζα ρεύματος 230 V 50 Hz.
- ◆ Τοποθετήστε το πακέτο μπαταριών στον φορτιστή όπως δείχνει η εικόνα Α.
- ◆ Η πράσινη LED θα αναβοσβήνει υποδεικνύοντας ότι η μπαταρία φορτίζεται.
- ◆ Η ολοκλήρωση της φόρτισης υποδεικνύεται από το γεγονός ότι η πράσινη LED παραμένει μόνιμα αναμμένη.

Το πακέτο μπαταρίας είναι πλήρως φορτισμένο και μπορεί να χρησιμοποιηθεί άμεσα ή να παραμείνει στον φορτιστή.

**Προειδοποίηση!** Κίνδυνος φωτιάς. Όταν αποσυνδέετε τον φορτιστή από το εργαλείο, να βεβαιώνετε να αποσυνδέετε πρώτα τον φορτιστή από την πρίζα και κατόπιν να αποσυνδέετε το καλώδιο του φορτιστή από το εργαλείο.

### Για να εγκαταστήσετε το πακέτο μπαταριών - Εικόνα Β

- ◆ Εισάγετε το πακέτο μπαταριών με σταθερή πίεση μέσα στο εργαλείο έως ακούσετε ήχο ασφάλισης, όπως δείχνει η εικόνα Β. Βεβαιωθείτε ότι το πακέτο μπαταριών έχει εδράσει πλήρως και έχει ασφαλίσει καλά στη θέση του.

### Για να αφαιρέσετε το πακέτο μπαταριών - ένθετο στην Εικόνα Β

- ◆ Πατήστε το κουμπί απελευθέρωσης της μπαταρίας (7) όπως δείχνει η εικόνα Β1 και τραβήξτε το πακέτο μπαταριών έξω από το εργαλείο.

### Διακόπτης σκανδάλης και κουμπί επιλογής κίνησης εμπρός/όπισθεν - εικόνα C

- ◆ Το δράπανο ενεργοποιείται και απενεργοποιείται πατώντας και αφήνοντας το διακόπτη σκανδάλης (1) όπως δείχνει η εικόνα C. Όσο περισσότερο πατάτε τη σκανδάλη, τόσο ταχύτερα λειτουργεί το δράπανο.
- ◆ Ένα κουμπί επιλογής κίνησης εμπρός/όπισθεν (2) καθορίζει την κατεύθυνση κίνησης του εργαλείου και ταυτόχρονα χρησιμεύει και ως κουμπί ασφάλισης.
- ◆ Για να επιλέξετε περιστροφή προς τα εμπρός, απελευθερώστε το διακόπτη σκανδάλης και πιέστε το κουμπί επιλογής κίνησης εμπρός/όπισθεν στη δεξιά πλευρά του εργαλείου.
- ◆ Για να επιλέξετε περιστροφή όπισθεν, πιέστε το κουμπί επιλογής κίνησης εμπρός/όπισθεν στην αριστερή πλευρά του εργαλείου.
- ◆ Η μεσαία θέση του κουμπιού ελέγχου ασφαλίσει το εργαλείο στη θέση απενεργοποίησης. Όταν αλλάζετε τη θέση του κουμπιού ελέγχου, να βεβαιώνετε ότι έχει ελευθερωθεί προηγούμενης η σκανδάλη.

### Ρύθμιση συστήματος ελέγχου ροπής - εικόνα D

Αυτό το εργαλείο είναι εξοπλισμένο με ένα κολάρο (3) για την επιλογή τρόπου λειτουργίας και για τη ρύθμιση της ροπής, όταν σφίγγετε βίδες. Οι μεγάλες βίδες και τα σκληρά αντικείμενα εργασίας χρειάζονται υψηλότερη ρύθμιση ροπής από τις μικρές βίδες και τα μαλακά αντικείμενα εργασίας.

- ◆ Για διάτρηση σε ξύλο, μέταλλο και πλαστικό, ρυθμίστε το κολάρο στη θέση με το σύμβολο της διάτρησης.
- ◆ Για βίδωμα, ρυθμίστε το κολάρο στην επιθυμητή ρύθμιση. Αν δεν γνωρίζετε ακόμη την κατάλληλη ρύθμιση, προχωρήστε ως εξής:

- ◆ Τοποθετήστε το κολάρο στη χαμηλότερη διαθέσιμη ρύθμιση ροπής.
- ◆ Σφίξτε την πρώτη βίδα.
- ◆ Αν ο συμπλέκτης αποσυμπλέκεται πριν επιτευχθεί το επιθυμητό αποτέλεσμα, αυξήστε τη ρύθμιση του κολάρου και συνεχίστε τη σύσφιξη της βίδας.
- ◆ Επαναλάβετε μέχρι να επιτύχετε τη σωστή ρύθμιση.
- ◆ Χρησιμοποιήστε την ίδια ρύθμιση και για τις υπόλοιπες βίδες.

### Διακόπτης δύο περιοχών - εικόνα Ε

Το χαρακτηριστικό δύο περιοχών ταχυτήτων του δραπάνου, σας επιτρέπει να αλλάζετε ταχύτητες για μεγαλύτερη ευελιξία χρήσης.

- ◆ Για να επιλέξετε τη ρύθμιση χαμηλής ταχύτητας, υψηλής ροπής (θέση 1), απενεργοποιήστε το εργαλείο και αφήστε το να σταματήσει. Μετακινήστε το κουμπί επιλογής ταχύτητας (4) σε κατεύθυνση αντίθετη του τσοκ.
- ◆ Για να επιλέξετε τη ρύθμιση υψηλής ταχύτητας, χαμηλής ροπής (θέση 2), απενεργοποιήστε το εργαλείο και αφήστε το να σταματήσει. Μετακινήστε το κουμπί επιλογής ταχύτητας πίσω προς την κατεύθυνση του τσοκ.

**Σημείωση:** Μην αλλάζετε ταχύτητα με το εργαλείο εν κινήσει. Αν δυσκολεύεστε στην αλλαγή ταχυτήτων, βεβαιωθείτε ότι το κουμπί επιλογής ταχύτητας δύο περιοχών έχει μετακινηθεί είτε τελείως μπροστά είτε τελείως πίσω.

### Αυτόματο τσοκ - εικόνα F

**Προειδοποίηση!** Βεβαιωθείτε ότι έχει αφαιρεθεί το πακέτο μπαταριών για να αποτρέψετε ενεργοποίηση τους εργαλείου πριν από την τοποθέτηση ή την αφαίρεση αξεσουάρ.

Για να τοποθετήσετε μια μύτη τρυπανιού ή άλλο αξεσουάρ:

- ◆ Κρατήστε το τσοκ (5) και περιστρέψτε το αριστερότροφα, όπως βλέπετε από την άκρη του τσοκ.
- ◆ Τοποθετήστε τη μύτη ή άλλο αξεσουάρ τελείως μέσα στο τσοκ και σφίξτε το τσοκ καλά περιστρέφοντάς το δεξιάτροφα όπως φαίνεται από το άκρο τσοκ.

**Προειδοποίηση!** Μην επιχειρήσετε να σφίξετε ή να ξεσφίξετε τα τρυπάνια (ή οποιοδήποτε άλλο αξεσουάρ) πιάνοντας το μπροστινό μέρος του τσοκ και ενεργοποιώντας το εργαλείο. Μπορεί να προκληθεί ζημιά στο τσοκ και τραυματισμός αλλάζοντας αξεσουάρ με αυτόν τον τρόπο.

### Βίδωμα

- ◆ Για το βίδωμα, το κουμπί επιλογής κίνησης εμπρός/όπισθεν πρέπει να είναι πατημένο προς τα αριστερά.
- ◆ Για ξεβίδωμα χρησιμοποιήστε την αντίθετη θέση (κουμπί πατημένο προς τα δεξιά).

**Σημείωση:** Όταν αλλάζετε κίνηση από εμπρός σε όπισθεν, ή αντίστροφα, πάντα να απελευθερώνετε πρώτα τον διακόπτη σκανδάλης.

## Διάρθρωση

- ◆ Χρησιμοποιείτε αιχμηρά τρυπάνια και μόνο.
- ◆ Υποστηρίξτε και στερεώστε σωστά το αντικείμενο εργασίας, όπως υποδεικνύεται στις Οδηγίες ασφαλείας.
- ◆ Χρησιμοποιείτε τον κατάλληλο και απαιτούμενο εξοπλισμό ασφαλείας, όπως υποδεικνύεται στις Οδηγίες ασφαλείας.
- ◆ Προστατεύετε και διατηρείτε σε καλή κατάσταση την περιοχή εργασίας, σύμφωνα με τις Οδηγίες ασφαλείας.
- ◆ Ξεκινάτε τη διάτρηση με πολύ μικρή ταχύτητα, χρησιμοποιώντας μόνο μικρή πίεση, έως ότου ξεκινήσει η σπή και επαρκεί να συγκρατεί το τρυπάνι χωρίς να κινδυνεύει να γλιστρήσει έξω από αυτή.
- ◆ Ασκήετε πίεση σε ευθεία γραμμή με το τρυπάνι. Ασκήετε όση πίεση χρειάζεται για να μπορεί το τρυπάνι να προχωράει μέσα στο αντικείμενο, όχι όμως σε υπερβολικό βαθμό γιατί υπάρχει κίνδυνος να ακινητοποιηθεί το μοτέρ ή να λυγίσει το τρυπάνι.
- ◆ Κρατάτε το δράπανο σταθερά και με τα δύο χέρια, με το ένα χέρι στη λαβή και με το άλλο να πιάνει το κάτω μέρος γύρω από την περιοχή της μπαταρίας ή τη βοηθητική λαβή αν παρέχεται τέτοια λαβή.
- ◆ **ΑΝ ΤΟ ΔΡΑΠΑΝΟ ΑΚΙΝΗΤΟΠΟΙΗΘΕΙ, ΜΗΝ ΠΑΤΑΤΕ ΚΑΙ ΑΦΗΝΕΤΕ ΤΗ ΣΚΑΝΔΑΛΗ ΠΡΟΣΠΑΘΩΝΤΑΣ ΝΑ ΤΟ ΘΕΣΕΤΕ ΠΛΑΙ ΣΕ ΚΙΝΗΣΗ. ΜΠΟΡΕΙ ΝΑ ΠΡΟΚΛΗΘΕΙ ΖΗΜΙΑ ΣΤΟ ΔΡΑΠΑΝΟ.**
- ◆ Ελαχιστοποιήστε το ενδεχόμενο ακινητοποίησης μειώνοντας την πίεση και τρυπώντας αργά στο τελευταίο τμήμα της σπή.
- ◆ Διατηρήστε το μοτέρ σε λειτουργία καθώς τραβάτε το τρυπάνι έξω από την σπή. Αυτό συμβάλλει στον περιορισμό του προβλήματος της αθέλητης ακινητοποίησης.
- ◆ Βεβαιωθείτε ότι ο διακόπτης ενεργοποιεί και απενεργοποιεί το δράπανο.

## Διάρθρωση σε ξύλο

Οι σπές στο ξύλο μπορούν να γίνουν με τα ίδια ελικοειδή τρυπάνια που χρησιμοποιούνται για μέταλλο, ή με τρυπάνια τύπου φερού. Αυτά τα τρυπάνια θα πρέπει να είναι αιχμηρά και να τα τραβάτε έξω συχνά κατά τη διάρκεια ώστε να φεύγουν τα πριονίδια από τις αυλακώσεις τους.

## Διάρθρωση σε μέταλλο

Χρησιμοποιείτε λιπαντικό κοπής κατά τη διάρκεια μετάλλων. Εξαιρέσεις είναι ο χυτοσίδηρος και ο ορείχαλκος όπου πρέπει να γίνεται ξηρή διάτρηση. Τα πιο αποτελεσματικά λιπαντικά κοπής είναι το θειωμένο λάδι κοπής.

## Φως εργασίας LED

Όταν απενεργοποιείται το δράπανο με τράβηγμα του διακόπτη σκανδάλης (1), ανάβει αυτόματα το ενσωματωμένο φως εργασίας LED (8) ώστε να φωτίζεται η περιοχή εργασίας.

**Σημείωση:** Το φως εργασίας προορίζεται για το φωτισμό της άμεσης επιφάνειας εργασίας και δεν προορίζεται για χρήση ως φακός.

## Φύλαξη των μυτών

Υπάρχει ενσωματωμένη υποδοχή φύλαξης μυτών (9) στη βάση του εργαλείου.

## Αντιμετώπιση προβλημάτων

Πρόβλημα	Πιθανή αιτία	Πιθανή λύση
Η μονάδα δεν τίθεται σε λειτουργία.	Το πακέτο μπαταριών δεν έχει τοποθετηθεί σωστά. Το πακέτο μπαταριών δεν είναι φορτισμένο.	Ελέγξτε την τοποθέτηση του πακέτου μπαταριών. Ελέγξτε τις απαιτήσεις φόρτισης του πακέτου μπαταριών
Η μονάδα αρχίζει να λειτουργεί αμέσως μετά την τοποθέτηση της μπαταρίας	Ο διακόπτης έχει παραμείνει στη θέση "ενεργοποίηση".	Πρέπει να κινήσετε τον διακόπτη στη θέση "απενεργοποίηση" για να αποτρέψετε την άμεση έναρξη κίνησης του εργαλείου κατά την εισαγωγή της μπαταρίας.
Το πακέτο μπαταριών δεν φορτίζεται.	Δεν έχει τοποθετηθεί πακέτο μπαταριών στον φορτιστή. Ο φορτιστής δεν έχει συνδεθεί στο ρεύμα. Η θερμοκρασία αέρα περιβάλλοντος είναι πολύ θερμή ή πολύ ψυχρή.	Τοποθετήστε το πακέτο μπαταριών στον φορτιστή μέχρι να ανάψει η λυχνία LED. Συνδέστε τον φορτιστή σε πρίζα που λειτουργεί. Μετακινήστε τον φορτιστή και το πακέτο μπαταριών σε θέση με θερμοκρασία αέρα περιβάλλοντος πάνω από 4,5 °C (40 βαθμών F) ή κάτω από 40,5 °C (105 βαθμών F)
Η μονάδα σβήνει ξαφνικά.	Το πακέτο μπαταριών έχει φθάσει στο όριο μέγιστης θερμοκρασίας του. Εκτός φόρτισης. (Για να μεγιστοποιηθεί η διάρκεια ζωής του, το πακέτο μπαταριών έχει σχεδιαστεί να απενεργοποιείται άμεσα όταν εξαντληθεί η φόρτισή του)	Αφήστε το πακέτο μπαταριών να κρυώσει. Τοποθετήστε το στον φορτιστή και αφήστε το να φορτιστεί.

## Συντήρηση

Το εργαλείο BLACK+DECKER που έχετε στην κατοχή σας έχει σχεδιαστεί έτσι ώστε να λειτουργεί για μεγάλο χρονικό διάστημα με την ελάχιστη δυνατή συντήρηση. Η συνεχής ικανοποιητική λειτουργία εξαρτάται από τη σωστή φροντίδα και τον τακτικό καθαρισμό του εργαλείου.

Ο φορτιστής σας δεν χρειάζεται καμία άλλη συντήρηση πέραν του τακτικού καθαρισμού.

**Προειδοποίηση!** Προτού πραγματοποιήσετε κάποια συντήρηση στο εργαλείο, αφαιρέστε την μπαταρία από το εργαλείο. Αποσυνδέστε τον φορτιστή από την πρίζα πριν τον καθαρίσετε.

- ◆ Καθαρίζετε τακτικά τις εγχοπές εξαιρισμού του εργαλείου και του φορτιστή με μια μαλακή βούρτσα ή με ένα στεγνό πανί.
- ◆ Καθαρίζετε τακτικά το περίβλημα του μοτέρ με ένα ελαφρά υγρό πανί.  
Μη χρησιμοποιείτε καθαριστικά που χαράζουν ή περιέχουν διαλύτες.
- ◆ Ανοίγετε τακτικά το τσοκ και χτυπάτε το ελαφρά για να αφαιρείται η σκόνη από το εσωτερικό του.

## Προστασία του περιβάλλοντος



Χωριστή συλλογή. Τα προϊόντα και οι μπαταρίες που επισημαίνονται με αυτό το σύμβολο δεν πρέπει να απορρίπτονται μαζί με τα κανονικά οικιακά απορρίμματα.

Τα προϊόντα και οι μπαταρίες περιέχουν υλικά που μπορούν να ανακυκλωθούν ή να ανακυκλωθούν ώστε να μειωθούν οι ανάγκες για πρώτες ύλες.

Παρακαλούμε να ανακυκλώνετε τα ηλεκτρικά προϊόντα και τις μπαταρίες σύμφωνα με τους τοπικούς κανονισμούς. Περισσότερες πληροφορίες διατίθενται στον ιστότοπο [www.2helpU.com](http://www.2helpU.com)

## Τεχνικά χαρακτηριστικά

BL186 H2		
Τάση	$V_{DC}$	18 V
Ταχύτητα χωρίς φορτίο	$Min^{-1}$	0-450 / 0-1800
Μέγ. ροπή	Nm	52
Μέγεθος τσοκ	mm	13
Μέγ. ικανότητα διάτρησης		
Χάλυβας/ξύλο	mm	13/35
Βάρος	kg	1,08 (1,46 με μπαταρία)

Φορτιστής	905902**	906349**
Τάση εισόδου	$V_{AC}$ 100- 240	220 - 240
Τάση εξόδου	$V_{DC}$ 8 - 20	8 - 20
Ρεύμα	mA 400	1000
Χρόνος φόρτισης περ.	Ώρες 4 - 10	1,5 - 4

Μπαταρία	BL1518	BL2018	BL4018
Τάση	$V_{DC}$ 18	18	18
Χωρητικότητα	Ah 1,5	2,0	4,0
Τύπος	Ιόντων λιθίου	Ιόντων λιθίου	Ιόντων λιθίου

Επίσημη ηχητική πίεση κατά EN 62841:	
Ηχητική πίεση ( $L_{pA}$ )	67 dB(A), αβεβαιότητα (Κ) 5 dB(A)
Ηχητική ισχύς ( $L_{WA}$ )	78 dB(A), αβεβαιότητα (Κ) 5 dB(A)

Συνολικές τιμές κραδασμών (διανυσματικό άθροισμα τριών αξόνων) κατά EN 62841:

Διάτρηση μετάλλου ( $a_{h,D}$ ) 1,7  $m/s^2$ , αβεβαιότητα (Κ) 1,5  $m/s^2$

## Δήλωση συμμόρφωσης ΕΚ

ΟΔΗΓΙΑ ΠΕΡΙ ΜΗΧΑΝΗΜΑΤΩΝ



BL186 - Δράπανο

Η Black & Decker δηλώνει ότι τα προϊόντα αυτά που περιγράφονται στα "τεχνικά δεδομένα" συμμορφώνονται με τα ακόλουθα:

2006/42/EC, EN62841-1:2015, EN62841-2-1:2018+A11:2019, Αυτά τα προϊόντα συμμορφώνονται και με τις Ευρωπαϊκές Οδηγίες 2014/30/EE και 2011/65/EE.

Για περισσότερες πληροφορίες, επικοινωνήστε με την Black & Decker στην παρακάτω διεύθυνση ή ανατρέξτε στο πίσω μέρος του εγχειριδίου.

Ο κάτωθι υπογεγραμμένος είναι υπεύθυνος για την κατάρτιση του τεχνικού φακέλου και δηλώνει τα παρόντα εκ μέρους της Black & Decker.

*Patrick Diepenbach*

Patrick Diepenbach

Γενικός διευθυντής, Μπενελούξ

Black and Decker,

Egide Walschaertsstraat 14-18

2800 Mechelen, Belgium (Βέλγιο)

30/11/2021

## Εγγύηση

Η Black & Decker είναι σίγουρη για την ποιότητα των προϊόντων της και προσφέρει στους καταναλωτές εγγύηση 24 μηνών από την ημερομηνία αγοράς. Αυτή η εγγύηση συμπληρώνει και με κανένα τρόπο δεν παραβιάζει τα νόμιμα δικαιώματά σας. Η εγγύηση ισχύει εντός της επικράτειας των χωρών μελών της Ευρωπαϊκής Ένωσης και της Ευρωπαϊκής Ζώνης Ελεύθερων Συναλλαγών.

Για να υποβάλετε αξίωση βάσει της εγγύησης, η αξίωση θα πρέπει να είναι σύμφωνη με τους Όρους και Προϋποθέσεις της Black&Decker και θα χρειαστεί να υποβάλετε απόδειξη αγοράς στον πωλητή ή σε εξουσιοδοτημένο αντιπρόσωπο σέρβις.

Μπορείτε να αποκτήσετε τους Όρους και προϋποθέσεις της εγγύησης 2 ετών της Black&Decker και να μάθετε την τοποθεσία του πλησιέστερου εξουσιοδοτημένου αντιπροσώπου σέρβις στο Internet στο [www.2helpU.com](http://www.2helpU.com), ή επικοινωνώντας με το τοπικό σας γραφείο Black & Decker στη διεύθυνση που υποδεικνύεται στο παρόν εγχειρίδιο.

Παρακαλούμε επισκεφθείτε την ιστοσελίδα μας [www.blackanddecker.gr](http://www.blackanddecker.gr) για να καταχωρίσετε το νέο σας προϊόν Black & Decker και για να ενημερώνεστε για τα νέα προϊόντα και τις ειδικές προσφορές.

<b>België/Belgique/Luxembourg</b> www.blackanddecker.be enduser.be@sbdinc.com	Stanley Black & Decker Belgium BVBA Egide Walschaertsstraat 16 2800 Mechelen	Tel. NL +32 15 47 37 65 Tel. FR +32 15 47 37 66 Fax. +32 15 47 37 99
<b>Danmark</b>	Black & Decker Roskildevej 22 2620 Albertslund	kundeservice.dk@sbdinc.com www.blackanddecker.dk
<b>Deutschland</b> www.blackanddecker.de infobfge@sdbinc.com	Stanley Black & Decker Deutschland GmbH Black & Decker Str. 40, D - 65510 Idstein	Tel. 06126 21-0 Fax 06126 21-2980
<b>Ελλάδα</b> www.blackanddecker.gr greece.service@sbdinc.com	Stanley Black & Decker (ΕΛΛΑΣ) Ε.Π.Ε ΓΡΑΦΕΙΑ: Σπύριδωνος 7 & Βουλιαγμένης 166 74 Γλυφάδα - Αθήνα	Τηλ. 210-8981616 Φαξ 210-8983570
<b>SERVICE:</b>	Ημερος Τόπος 2 -Χάνι Αδάμ 193 00 Ασπρόπυργος - Αθήνα	Τηλ. Service 210-8985208 Φαξ 210-5597598
<b>España</b> www.blackanddecker.es respuesta.posventa@sbdinc.com	Stanley Black & Decker Ibérica, S.C.A. Parc de Negocis "Mas Blau" Edificio Muntadas, c/Bergadà, 1, Of. A6 08820 El Prat de Llobregat (Barcelona)	Tel. 934 797 400 Fax 934 797 419
<b>France</b> www.blackanddecker.fr	Black & Decker (France) S.A.S. 5 allée des Hêtres B.P. 30084 69579 Limonest Cédex	Tel. 04 72 20 39 20 Fax 04 72 20 39 00
<b>Helvetia</b> www.blackanddecker.ch service@rofoag.ch	ROFO AG Gewerbezone Seeblick 3213 Kleinbösingen	Tel. 026-6749393 Fax 026-6749394
<b>Italia</b> www.blackanddecker.it service.italia@sbdinc.com	Stanley Black & Decker Italia Via Energypark 6 20871 Vimercate (MB)	Tel. 039-9590200 Fax 039-9590313 Numero verde 800-213935
<b>Nederland</b> www.blackanddecker.nl enduser.nl@sbdinc.com	Stanley Black & Decker Netherlands BV Holtum Noordweg 35, 6121 RE BORN Postbus 83, 6120 AB BORN	Tel. +31 164 283 065 Fax +31 164 283 200
<b>Norge</b>	Black & Decker Postboks 4613, Nydalen 0405 Oslo	kundeservice.no@sbdinc.com www.blackanddecker.no
<b>Österreich</b> www.blackanddecker.at service.austria@sbdinc.com	Stanley Black & Decker Austria GmbH Oberlaaerstraße 248, A-1230 Wien	Tel. 01 66116-0 Fax 01 66116-614
<b>Portugal</b> www.blackanddecker.pt resposta.posvenda@sbdinc.com	Black & Decker Limited SARL Quinta da Fonte - Edifício Q55 D, Diniz Rua dos Malhões, 2 e 2A - Piso 2 Esquerdo 2770 - 071 Paço de Arcos	Tel. 214667500 Fax 214667580
<b>Suomi</b>	Black & Decker PL47 00521, Helsinki	asiakaspalvelu.fi@sbdinc.com www.blackanddecker.fi
<b>Sverige</b>	Black & Decker AB Box 94, 431 22 Mölndal	kundservice.se@sbdinc.com www.blackanddecker.se
<b>Türkiye</b> www.blackanddecker.com.tr	KALE Hirdavat ve Makina A.Ş. Deftardar Mah. Savaklar Cad. No:15 Edirnekapı / Eyüp / İstanbul 34050	Tel. 0212 533 52 55 Fax. 0212 533 10 05
<b>United Kingdom &amp; Republic Of Ireland</b> www.blackanddecker.co.uk emeaservice@sbdinc.com	Black & Decker 270 Bath Road Slough, Berkshire SL1 4DX	Tel. 01753 511234 Fax 01753 512365
<b>Middle East &amp; Africa</b> www.blackanddecker.ae service.mea@sbdinc.com	Black & Decker P.O.Box - 17164 Jebel Ali Free Zone (South), Dubai, UAE	Tel. +971 4 8863030 Fax +971 4 8863333