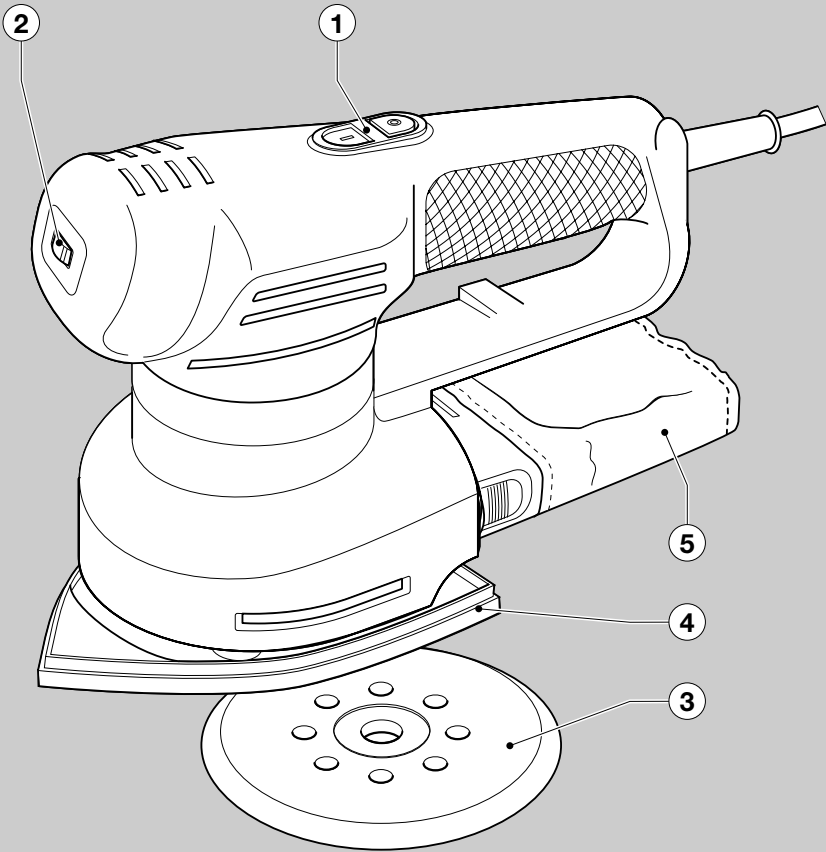
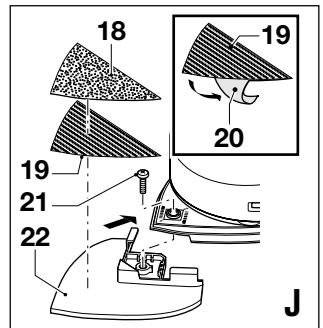
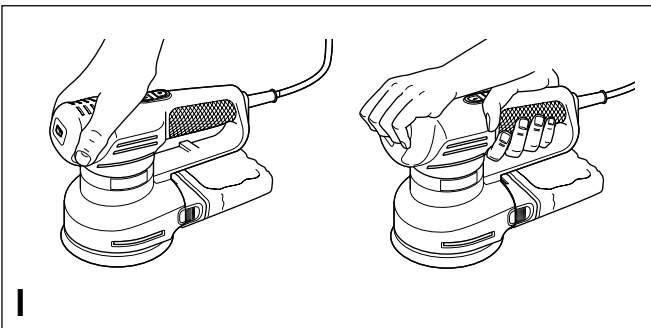
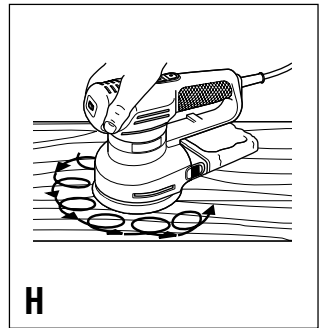
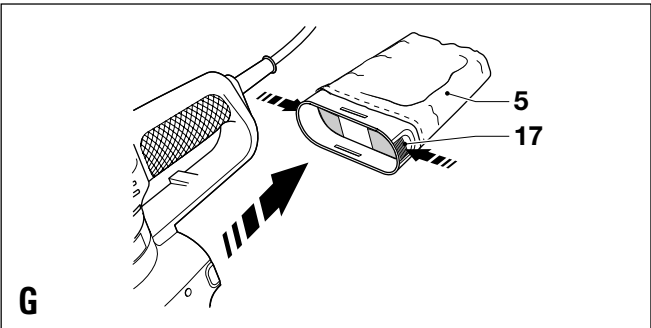
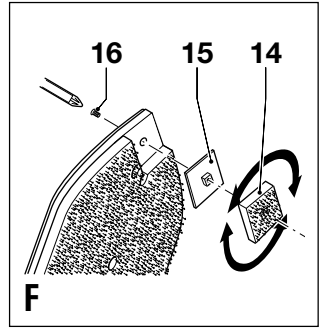
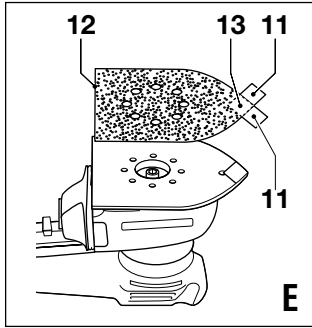
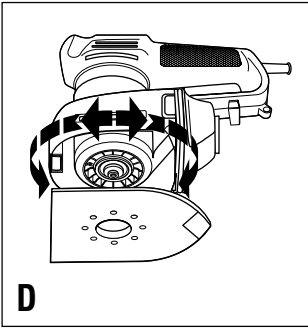
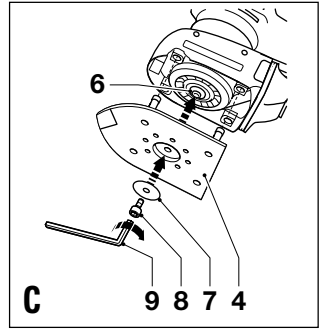
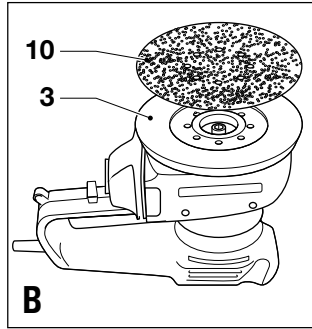
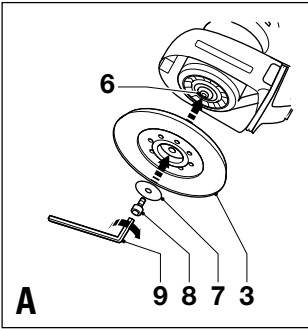




# BLACK & DECKER®



**UK**  
**Ireland**  
**Australia**  
**New Zealand**



## Intended use

Your Black & Decker sander has been designed for sanding and polishing wood, metal, plastics and painted surfaces. This tool is intended for consumer use only.

## Safety instructions

- ◆ **Warning!** When using mains-powered tools, basic safety precautions, including the following, should always be followed to reduce the risk of fire, electric shock, personal injury and material damage.
- ◆ Read all of this manual carefully before operating the tool.
- ◆ Retain this manual for future reference.
- ◆ Remove the plug from the socket before carrying out any adjustment, servicing or maintenance.

### Keep work area clean

Cluttered areas and benches can cause accidents.

### Consider work area environment

Do not expose the tool to rain. Do not use the tool in damp or wet conditions. Keep the work area well lit. Do not use the tool where there is a risk of causing fire or explosion, e.g. in the presence of flammable liquids and gases.

### Keep children away

Do not allow children, visitors or animals to come near the work area or to touch the tool or mains cable.

### Dress properly

Do not wear loose clothing or jewellery, as these can be caught in moving parts. Preferably wear rubber gloves and non-slip footwear when working outdoors. Wear protective hair covering to keep long hair out of the way.

### Personal protection

Always use safety glasses. Use a face or dust mask whenever the operations may produce dust or flying particles. Hearing protection should be worn.

### Guard against electric shock

Prevent body contact with earthed or grounded surfaces (e.g. pipes, radiators, cookers and refrigerators). Electric safety can be further improved by using a high-sensitivity (30 mA / 30 mS) residual current device (RCD).

### Do not overreach

Keep proper footing and balance at all times.

### Stay alert

Watch what you are doing. Use common sense. Do not operate the tool when you are tired.

### Secure workpiece

Use clamps or a vice to hold the workpiece. It is safer and it frees both hands to operate the tool.

### Connect dust extraction equipment

If devices are provided for the connection of dust extraction and collection facilities, ensure that these are connected and properly used.

## Remove adjusting keys and wrenches

Always check that adjusting keys and wrenches are removed from the tool before operating the tool.

### Extension cables

Before use, inspect the extension cable and replace if damaged. When using the tool outdoors, only use extension cables intended for outdoor use. Up to 30 m of Black & Decker extension cable can be used without loss of power.

### Use appropriate tool

The intended use is described in this instruction manual. Do not force small tools or attachments to do the job of a heavy-duty tool. The tool will do the job better and safer at the rate for which it was intended. Do not force the tool.

**Warning!** The use of any accessory or attachment or performance of any operation with this tool other than those recommended in this instruction manual may present a risk of personal injury.

### Check for damaged parts

Before use, carefully check the tool and mains cable for damage. Check for misalignment and seizure of moving parts, breakage of parts, damage to guards and switches and any other conditions that may affect its operation. Ensure that the tool will operate properly and perform its intended function. Do not use the tool if any part is damaged or defective. Do not use the tool if the switch does not turn it on and off. Have any damaged or defective parts repaired or replaced by an authorised repair agent. Never attempt any repairs yourself.

### Unplug the tool

Unplug the tool when it is not in use, before changing any parts of the tool, accessories or attachments and before servicing.

### Avoid unintentional starting

Do not carry the tool with a finger on the on/off switch. Be sure that the tool is switched off when plugging in.

### Do not abuse cord

Never carry the tool by its cord or pull it to disconnect from the socket. Keep the cord away from heat, oil and sharp edges.

### Store idle tools

When not in use, tools should be stored in a dry, locked up or high place, out of reach of children.

### Maintain tools with care

Keep cutting tools sharp and clean for better and safer performance. Follow the instructions for maintenance and changing accessories. Keep handles and switches dry, clean and free from oil and grease.

### Repairs

This tool complies with relevant safety requirements. Repairs should only be carried out by qualified persons using original spare parts; otherwise this may result in considerable danger to the user.

### Electrical safety



This tool is double insulated; therefore no earth wire is required. Always check that the power supply corresponds to the voltage on the rating plate.

## Additional safety instructions for sanders

- ◆ Always wear a dust mask whenever sanding.
- ◆ Thoroughly remove all dust after sanding.
- ◆ Before using the tool on wooden workpieces, make sure to fit the dustbag.
- ◆ Before using the tool on metal workpieces, make sure to remove the dustbag.
- ◆ Never use the tool without a sanding sheet.
- ◆ Never use the tool without a sanding base.

## Sanding lead-based paint or MDF

Sanding of lead-based paint is not recommended due to the difficulty of controlling the contaminated dust. The greatest danger of lead poisoning is to children and pregnant women. Any pre-1960 building may in the past have been painted with paint containing lead. This paint may be covered with additional layers of paint. Before starting work, it is important to determine whether the paint to be sanded contains lead. This can be done using a test kit or by a professional decorator.

## Personal protection

- ◆ Do not let children or pregnant women enter the work area.
- ◆ Wear a dust mask specifically designed for protection against lead paint dust and fumes and ensure that persons within or entering the work area are also protected.
- ◆ Do not eat, drink or smoke in the work area. Do not store any food or drink in the work area.
- ◆ Wash yourself very carefully before eating, drinking or smoking.

## Environment

- ◆ Remove the paint in such a way that the amount of dust is minimised.
- ◆ Seal the work area with plastic sheeting.
- ◆ Minimise the amount of dust outside the work area.

## Cleaning

- ◆ Thoroughly vacuum and clean all surfaces in the work area every day.
- ◆ Regularly change the dustbag and filters of the vacuum cleaner.
- ◆ Thoroughly wash any foreign objects exposed to dust before using them again.

## Additional safety instructions for Australia and New Zealand

- ◆ This appliance is not intended for use by young or infirm persons without supervision. Children must be supervised to ensure they do not play with the appliance.
- ◆ If the supply cord is damaged, it must be replaced by the manufacturer or an authorised Black & Decker Service Centre in order to avoid a hazard.

## Features

This tool includes some or all of the following features.

- ◆ On/off switch (1)
- ◆ Variable speed control (2)
- ◆ Round base (3)
- ◆ Pointed base (4)
- ◆ Dustbag (5)
- ◆ Louvre attachment (fig. J)

## Assembly

**Warning!** Make sure that the tool is switched off and unplugged.

### Round base

With this sanding base, you can use the tool as a random orbit sander (fig. H).

### Fitting and removing the sanding base (fig. A)

- ◆ Place the sanding base (3) onto the spindle (6).
- ◆ Place the washer (7) onto the spindle.
- ◆ Insert the screw (8) into the hole in the spindle and tighten the screw using the Allen key (9) supplied.
- ◆ To remove the sanding base, remove the screw and washer.

### Fitting sanding sheets (fig. B)

- ◆ Hold the tool with the sanding base (3) facing upwards.
- ◆ Press the sanding sheet (10) onto the sanding base. The holes in the sheet do not need to line up with the holes in the base.

### Pointed base

With this sanding base, you can use the tool as a detail sander or an orbital sander.

### Fitting and removing the sanding base (fig. C & D)

- ◆ Place the sanding base (4) onto the spindle (6). For detail sanding, the pointed end should face forward as in fig. C. For sanding large areas, the pointed end should face to the back as in fig. D.
- ◆ Make sure that the legs of the base locate into the tool.
- ◆ Place the washer (7) onto the spindle.
- ◆ Insert the screw (8) into the hole in the spindle and tighten the screw using the Allen key (9) supplied.
- ◆ To remove the sanding base, remove the screw and washer.

### Fitting sanding sheets (fig. E)

- ◆ Detach the two diamond-shaped tips (11) from the sanding sheet (12).
- ◆ Hold the tool with the sanding base facing upwards.
- ◆ Place the sanding sheet (12) onto the sanding base, making sure that the holes in the sheet line up with the holes in the base.

The diamond-shaped tip (13) can be reversed and replaced when worn.

- ◆ When the front part of the tip is worn, detach it from the sheet, reverse it and press it onto the sanding base again.
- ◆ When the whole tip is worn, remove it from the sanding base and fit a new tip.

### Tip of the sanding base (fig. F)

When the sanding base tip (14) or tip holder (15) is worn, it can be reversed or replaced. Spare parts are available from your Black & Decker dealer.

- ◆ Remove the screw (16).
- ◆ Reverse or replace the worn part.
- ◆ Fit and tighten the screw.

### Louvre attachment (fig. J)

With this attachment you can work in crevices and use the sanding base on both sides.

- ◆ Remove the tip of the sanding base and the tip holder (fig. F).
- ◆ Fit the louvre base (22) over the tip of the pointed base.
- ◆ Secure the louvre base with the screw (21).
- ◆ Stick the main abrasive sheet to the underside of the louvre base. Part of it will stick to the front part of the pointed base.

For sanding down louvre slats on both sides, abrasive paper can be fitted to the upperside of the attachment.

- ◆ Remove the backing paper (20) from the velcro fastener (19).
- ◆ Stick the velcro fastener to the top surface of the louvre attachment.
- ◆ Fit the sanding piece (18) to the velcro fastener.

## Use

**Warning!** Do not cover the ventilation slots when using the tool. Hold the tool as shown in fig. I. Make sure that the sanding base is flat on the workpiece.

### Switching on and off

- ◆ If the tool has a variable speed control knob (2), set it to the required speed range. As a general rule, use a low speed for polishing and for sanding plastics. Use a high speed for wood and metal.
- ◆ To switch the tool on, press the part of the on/off switch (1) marked '1'.
- ◆ To switch the tool off, press the part of the on/off switch (1) marked '0'.

### Automatic brake system (ABS)

This tool has an automatic brake system. When the tool is not on the work surface, this feature keeps the speed of the round base below the speed of the motor. When the tool is switched off, the base will stop very quickly.

### Connecting a vacuum cleaner

In order to connect a vacuum cleaner to the tool, you need a special adaptor, which is available as an accessory.

### Emptying the dustbag (fig. G)

The dustbag should be emptied every 10 minutes of use.

- ◆ Hold the tool with the dustbag (5) pointing down.
- ◆ Squeeze the buttons (17) to release the dustbag.
- ◆ Refit the dustbag, letting it click into place.

Do not wash the dustbag.

## Accessories

The performance of your tool depends on the accessory used. Black & Decker and Piranha accessories are engineered to high quality standards and designed to enhance the performance of your tool. By using these accessories you will get the very best from your tool.

## Maintenance

Your tool has been designed to operate over a long period of time with a minimum of maintenance. Continuous satisfactory operation depends upon proper tool care and regular cleaning.

### Mains plug replacement (U.K. & Ireland only)

If a new mains plug needs to be fitted:

- ◆ Safely dispose of the old plug.
- ◆ Connect the brown lead to the live terminal in the new plug.
- ◆ Connect the blue lead to the neutral terminal.

**Warning!** No connection is to be made to the earth terminal. Follow the fitting instructions supplied with good quality plugs. Recommended fuse: 5 A.

## Protecting the environment



Black & Decker provides a facility for recycling Black & Decker products once they have reached the end of their working life. This service is provided free of charge. To take advantage of this service please return your product to any authorised repair agent who will collect them on our behalf.

You can check the location of your nearest authorised repair agent by contacting your local Black & Decker office at the address indicated in this manual. Alternatively, a list of authorised Black & Decker repair agents and full details of our after-sales service and contacts are available on the Internet at: [www.2helpU.com](http://www.2helpU.com).

## Technical data

		KA225	KA225EK
Power input	W	170	170
No-load speed	min <sup>-1</sup>	10,500	6,000 - 10,500

## EC declaration of conformity

Black & Decker declares that these products conform to:  
98/37/EC, 89/336/EEC, 73/23/EEC, EN 50144, EN 55014,  
EN 61000

$L_{PA}$  (sound pressure): 77 dB(A),  $L_{WA}$  (acoustic power) 90 dB(A),  
hand/arm weighted vibration < 2.5 m/s<sup>2</sup>



Kevin Hewitt  
Director of Consumer Engineering  
Spennymoor, County Durham DL16 6JG,  
United Kingdom

- ◆ The product has been used for trade, professional or hire purposes;
- ◆ The product has been subjected to misuse or neglect;
- ◆ The product has sustained damage through foreign objects, substances or accidents;
- ◆ Repairs have been attempted by persons other than authorised repair agents or Black & Decker service staff.

To claim on the guarantee, you will need to submit proof of purchase to the seller or an authorised repair agent. You can check the location of your nearest authorised repair agent by contacting your local Black & Decker office at the address indicated in this manual. Alternatively, a list of authorised Black & Decker repair agents and full details of our after-sales service and contacts are available on the Internet at: [www.2helpU.com](http://www.2helpU.com).

## Guarantee

Black & Decker is confident of the quality of its products and offers an outstanding guarantee. This guarantee statement is in addition to and in no way prejudices your statutory rights. The guarantee is valid within the territories of the Member States of the European Union and the European Free Trade Area.

If a Black & Decker product becomes defective due to faulty materials, workmanship or lack of conformity, within 24 months from the date of purchase, Black & Decker guarantees to replace defective parts, repair products subjected to fair wear and tear or replace such products to ensure minimum inconvenience to the customer unless:

### Australia

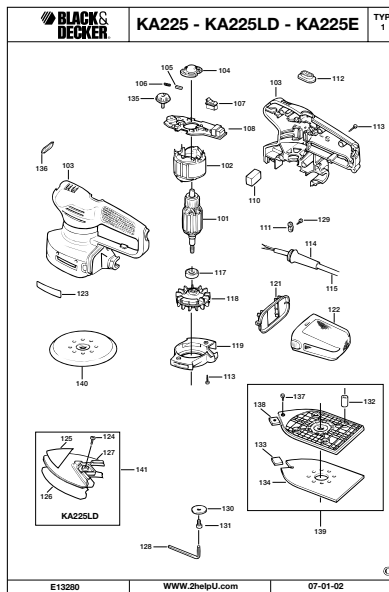
DeWALT Industrial Power Tool Company  
7 Clarice Road Tel. 03 9895 9200  
Box Hill, Victoria 3128 Fax 03 9899 7465

### New Zealand

Black & Decker Tel. 09 579 7600  
81 Hugo Johnson Drive Fax 09 579 8200  
Penrose, Auckland, New Zealand

### United Kingdom

Black & Decker Tel. 01753 511234  
210 Bath Road Fax 01753 551155  
Slough, Berkshire SL1 3YD Helpline 01753 574277



**Dealer address**

**Date of purchase**

Name: .....

Address: .....

Town: .....

Postal code: .....

Was this tool a gift?

Yes  
 No

Was this tool your first purchase?

Yes  
 No

Was this tool bought as a replacement?

Yes  
 No

Dealer address: .....

.....

Data protection act:  
Tick the box if you prefer not to receive further information.



## **GUARANTEE CARD**

**Please complete this section immediately after the purchase of your tool and send it to Black & Decker in your country.  
If you live in Australia or New Zealand, please register by using the alternative guarantee card supplied.**