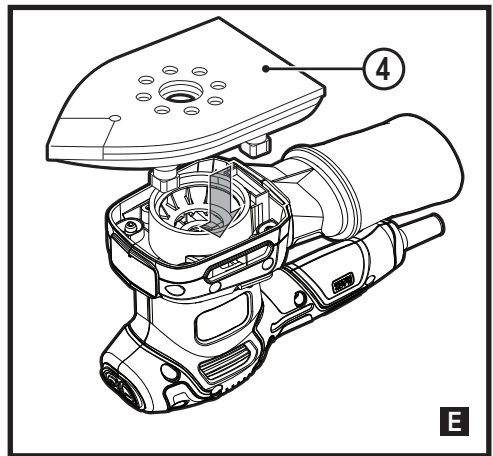
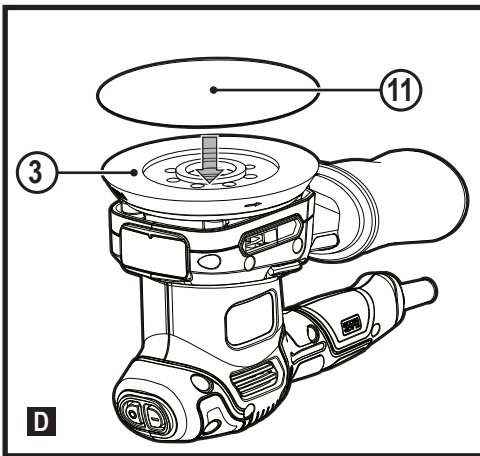
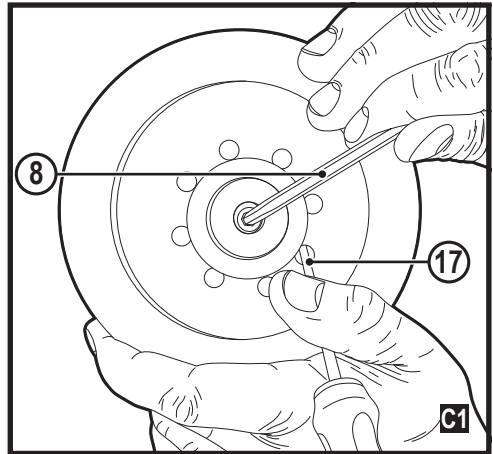
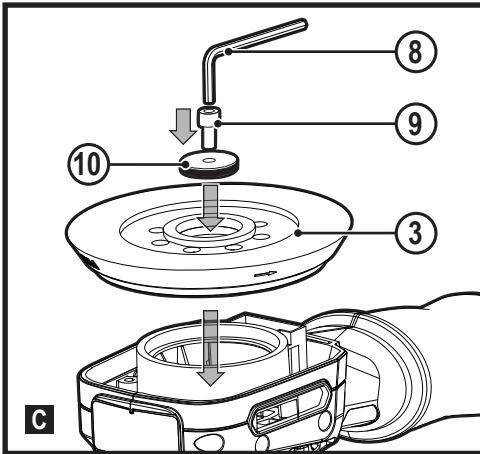
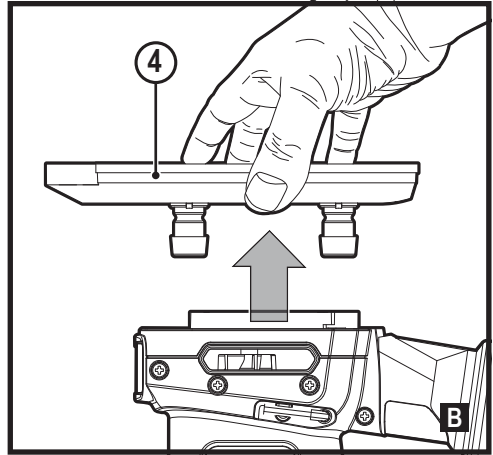
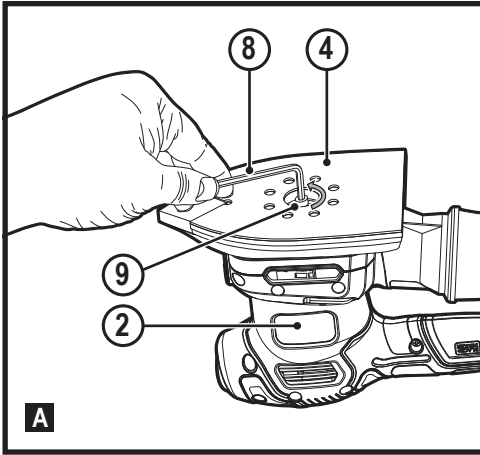
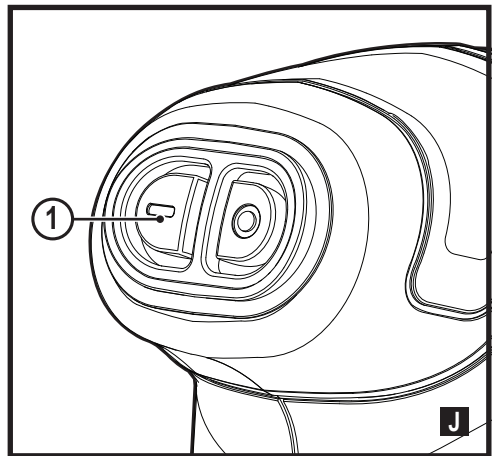
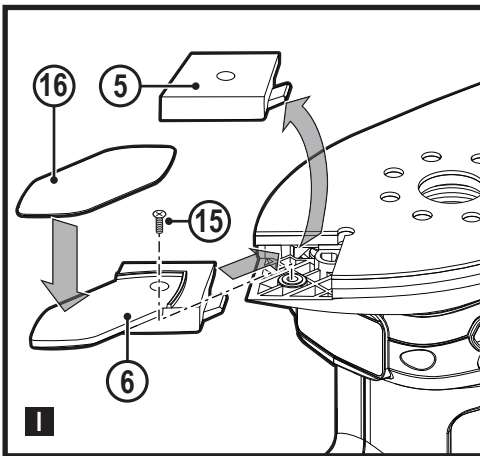
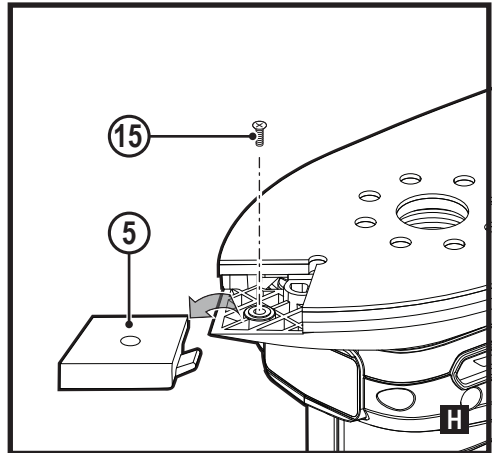
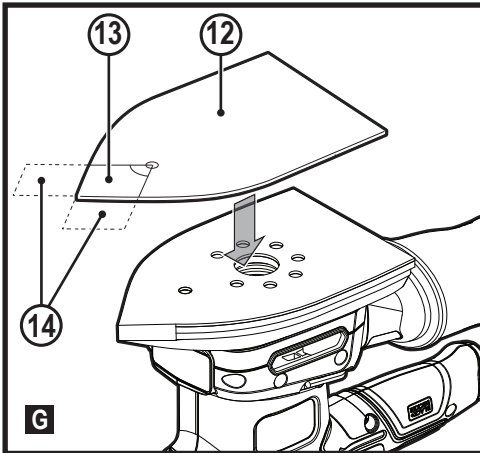
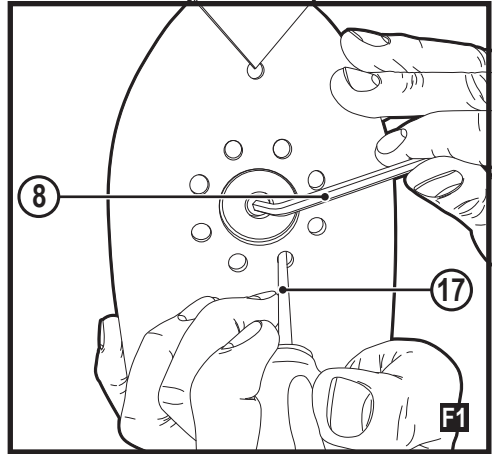
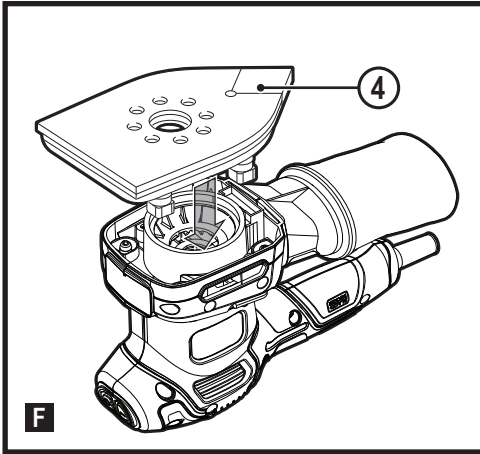
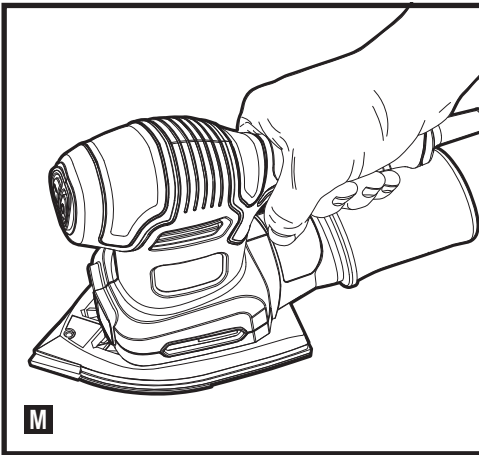
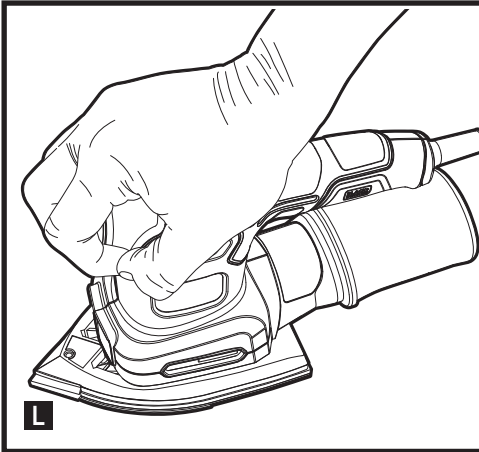
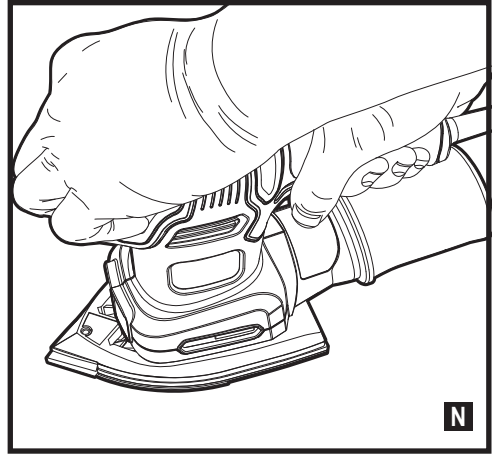
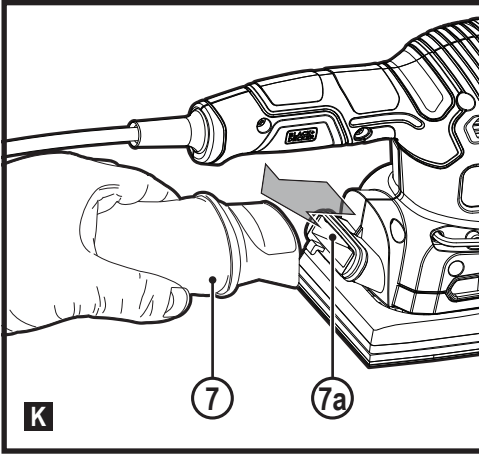


English (original instructions)	4
Deutsch (<i>übersetzt von den originalanweisungen</i>)	10
Français (<i>traduction de la notice d'instructions originale</i>)	16
Italiano (<i>tradotto dalle istruzioni originali</i>)	21
Nederlands (<i>vertaald vanuit de originele instructies</i>)	26
Español (<i>traducido de las instrucciones originales</i>)	32
Português (<i>traduzido das instruções originais</i>)	37
Svenska (<i>översatt från de ursprungliga instruktionerna</i>)	43
Norsk (<i>oversatt fra de originale instruksjonene</i>)	47
Dansk (<i>oversat fra original brugsvejledning</i>)	52
Suomi (<i>käännetty alkuperäisestä käyttöohjeesta</i>)	57
Ελληνικά (<i>μετάφραση από τις πρωτότυπες οδηγίες</i>)	61







Intended use

Your BLACK+DECKER BEW200 sander has been designed for sanding and polishing wood, metal, plastics and painted surfaces. This tool is intended for consumer use only.

Safety instructions

General power tool safety warnings



Warning! Read all safety warnings, instructions, illustrations and specifications provided with this power tool. Failure to follow all instructions listed below may result in electric shock, fire and/or serious injury.

Save all warnings and instructions for future reference.

The term "power tool" in the warnings refers to your mains-operated (corded) power tool or battery-operated (cordless) power tool.

1. Work area safety

- a. **Keep work area clean and well lit.** Cluttered or dark areas invite accidents.
- b. **Do not operate power tools in explosive atmospheres, such as in the presence of flammable liquids, gases or dust.** Power tools create sparks which may ignite the dust or fumes.
- c. **Keep children and bystanders away while operating a power tool.** Distractions can cause you to lose control.

2. Electrical safety

- a. **Power tool plugs must match the outlet. Never modify the plug in any way. Do not use any adapter plugs with earthed (grounded) power tools.** Unmodified plugs and matching outlets will reduce risk of electric shock.
- b. **Avoid body contact with earthed or grounded surfaces such as pipes, radiators, ranges and**

refrigerators. There is an increased risk of electric shock if your body is earthed or grounded.

- c. **Do not expose power tools to rain or wet conditions.** Water entering a power tool will increase the risk of electric shock.
 - d. **Do not abuse the cord. Never use the cord for carrying, pulling or unplugging the power tool. Keep cord away from heat, oil, sharp edges or moving parts.** Damaged or entangled cords increase the risk of electric shock.
 - e. **When operating a power tool outdoors, use an extension cord suitable for outdoor use.** Use of a cord suitable for outdoor use reduces the risk of electric shock.
 - f. **If operating a power tool in a damp location is unavoidable, use a residual current device (RCD) protected supply.** Use of an RCD reduces the risk of electric shock.
3. **Personal safety**
 - a. **Stay alert, watch what you are doing and use common sense when operating a power tool. Do not use a power tool while you are tired or under the influence of drugs, alcohol or medication.** A moment of inattention while operating power tools may result in serious personal injury.
 - b. **Use personal protective equipment. Always wear eye protection.** Protective equipment such as dust mask, non-skid safety shoes, hard hat, or hearing protection used for appropriate conditions will reduce personal injuries.
 - c. **Prevent unintentional starting. Ensure the switch is in the off-position before connecting to power source and/or battery pack, picking up or carrying the tool.** Carrying power tools with your finger on the switch or energising power tools that have the switch on invites accidents.
 - d. **Remove any adjusting key or wrench before turning the power tool on.** A wrench or a key left attached to a rotating part of the power tool may result in personal injury.
 - e. **Do not overreach. Keep proper footing and balance at all times.** This enables better control of the power tool in unexpected situations.
 - f. **Dress properly. Do not wear loose clothing or jewellery. Keep your hair, clothing and gloves away from moving parts.** Loose clothes, jewellery or long hair can be caught in moving parts.
 - g. **If devices are provided for the connection of dust extraction and collection facilities, ensure these are connected and properly used.** Use of dust collection can reduce dust-related hazards.
 - h. **Do not let familiarity gained from frequent use of tools allow you to become complacent and ignore tool safety principles.** A careless action can cause severe injury within a fraction of a second.

4. Power tool use and care

- a. **Do not force the power tool. Use the correct power tool for your application.**
The correct power tool will do the job better and safer at the rate for which it was designed.
 - b. **Do not use the power tool if the switch does not turn it on and off.** Any power tool that cannot be controlled with the switch is dangerous and must be repaired.
 - c. **Disconnect the plug from the power source and/or the battery pack from the power tool before making any adjustments, changing accessories, or storing power tools.** Such preventive safety measures reduce the risk of starting the power tool accidentally.
 - d. **Store idle power tools out of the reach of children and do not allow persons unfamiliar with the power tool or these instructions to operate the power tool.**
Power tools are dangerous in the hands of untrained users.
 - e. **Maintain power tools and accessories. Check for misalignment or binding of moving parts, breakage of parts and any other condition that may affect the power tools operation. If damaged, have the power tool repaired before use.** Many accidents are caused by poorly maintained power tools.
 - f. **Keep cutting tools sharp and clean.** Properly maintained cutting tools with sharp cutting edges are less likely to bind and are easier to control.
 - g. **Use the power tool, accessories and tool bits etc. in accordance with these instructions, taking into account the working conditions and the work to be performed.** Use of the power tool for operations different from those intended could result in a hazardous situation.
 - h. **Keep handles and grasping surfaces dry, clean and free from oil and grease.**
Slippery handles and grasping surfaces do not allow for safe handling and control of the tool in unexpected situations.
5. **Service**
 - a. **Have your power tool serviced by a qualified repair person using only identical replacement parts.**
This will ensure that the safety of the power tool is maintained.

Additional power tool safety warnings



Warning! Additional safety warnings for sanders

- ◆ **Hold the power tool by insulated gripping surfaces, because the sanding surface may contact its own cord.** Cutting a "live" wire may make exposed metal parts of the power tool "live" and could give the operator an electric shock.

- ◆ **Use clamps or another practical way to secure and support the workpiece to a stable platform.** Holding the work by hand or against your body leaves it unstable and may lead to loss of control.
- ◆ **Warning! Contact with or inhalation of dusts arising from sanding applications may endanger the health of the operator and possible bystanders.** Wear a dust mask specifically designed for protection against dust and fumes and ensure that persons within or entering the work area are also protected.
- ◆ **Thoroughly remove all dust after sanding.**
- ◆ **Take special care when sanding paint which is possibly lead based or when sanding some woods and metal which may produce toxic dust:**
 - ◆ **Do not let children or pregnant women enter the work area.**
 - ◆ **Do not eat, drink or smoke in the work area.**
 - ◆ **Dispose of dust particles and any other debris safely.**
- ◆ **The intended use is described in this instruction manual.**

The use of any accessory or attachment or performance of any operation with this tool other than those recommended in this instruction manual may present a risk of personal injury and/or damage to property.

Safety of others

- ◆ This appliance is not intended for use by persons (including children) with reduced physical, sensory or mental capabilities, or lack of experience and knowledge, unless they have been given supervision or instruction concerning use of the appliance by a person responsible for their safety.
- ◆ Children should be supervised to ensure that they do not play with the appliance.

Residual risks.

Additional residual risks may arise when using the tool which may not be included in the enclosed safety warnings. These risks can arise from misuse, prolonged use etc.

Even with the application of the relevant safety regulations and the implementation of safety devices, certain residual risks can not be avoided. These include:

- ◆ Injuries caused by touching any rotating/moving parts.
- ◆ Injuries caused when changing any parts, blades or accessories.
- ◆ Injuries caused by prolonged use of a tool. When using any tool for prolonged periods ensure you take regular breaks.
- ◆ Impairment of hearing.
- ◆ Health hazards caused by breathing dust developed when using your tool (example:- working with wood, especially oak, beech and MDF.)

Vibration

The declared vibration emission values stated in the technical data and the declaration of conformity have been measured in accordance with a standard test method provided by EN62841 and may be used for comparing one tool with another. The declared vibration emission value may also be used in a preliminary assessment of exposure.

Warning! The vibration emission value during actual use of the power tool can differ from the declared value depending on the ways in which the tool is used. The vibration level may increase above the level stated.

When assessing vibration exposure to determine safety measures required by 2002/44/EC to protect persons regularly using power tools in employment, an estimation of vibration exposure should consider, the actual conditions of use and the way the tool is used, including taking account of all parts of the operating cycle such as the times when the tool is switched off and when it is running idle in addition to the trigger time.

Labels on tool

The following symbols are shown on the tool, along with the date code:



Warning! To reduce the risk of injury, the user must read the instruction manual.

Electrical safety



This tool is double insulated; therefore no earth wire is required. Always check that the power supply corresponds to the voltage on the rating plate.

- ◆ If the supply cord is damaged, it must be replaced by the manufacturer or an authorised BLACK+DECKER Service Centre in order to avoid a hazard.

Features

This tool includes some or all of the following features.

1. On/off switch
2. Motor base
3. Random orbital sanding base
4. Large detail sanding base
5. Sanding base tip
6. Detail finger attachment
7. Dust canister

Assembly

Warning! Before assembly, make sure that the tool is switched off and unplugged.

Removing sanding bases (fig. A, B)

- ◆ To remove the sanding base, undo the locking screw (9) from the sanding base using the allen key (8) provided as

shown in figure A.

- ◆ Pull the sanding base from the tool as shown in figure B.

Attaching the random orbit sanding base (fig. C, C1)

- ◆ Hold the tool and the sanding base (3) facing upwards as shown in figure C.
- ◆ Press down on the sanding base until you hear it click into place.
- ◆ Replace the locking screw (9) and secure with the allen key (8) provided as shown in figure C.
- ◆ Use a screwdriver (17) (not supplied) to lock the sanding base in position while you tighten the locking screw (9) as shown in figure C1.

Fitting sanding sheets (fig. D)

- ◆ Hold the tool with the sanding base (3) facing upwards.
- ◆ Place the sanding sheet (11) onto the sanding base (3) making sure that the holes in the sheet (where applicable) line up with the holes in the base as shown in figure D.

Large detail sanding base

With this sanding base, you can use the tool as a detail sander or a flush sander.

Attaching the large detail sanding base (fig. E, F, F1)

For detail sanding, the pointed end should face forward (fig. E).

For sanding large areas, the pointed end should face to the rear (fig. F).

- ◆ Attach the sanding base as described above under "Attaching the random orbit sanding base".
- ◆ Press down on the sanding base until you hear it click into place.
- ◆ Replace the locking screw (9) and secure with the allen key (8) provided.
- ◆ Use a screwdriver (17) (not supplied) to lock the sanding base in position while you tighten the locking screw (9) as shown in figure F1.

Fitting sanding sheets (fig. G)

- ◆ Detach the two diamond-shaped tips (14) from the sanding sheet (12).
- ◆ Hold the tool with the sanding base facing upwards.
- ◆ Place the sanding sheet (12) onto the sanding base, making sure that the holes in the sheet (where applicable) line up with the holes in the base.

The diamond-shaped tip (13) can be reversed and replaced when worn.

- ◆ When the front part of the tip is worn, detach it from the sheet, reverse it and press it onto the sanding base again.

- ◆ When the whole tip is worn, remove it from the sanding base and fit a new diamond shaped tip (13).

Tip of the sanding base (fig. H)

When the diamond shaped tip holder (5) is worn, it can be replaced. Spare parts are available from your BLACK+DECKER dealer.

- ◆ Remove the screw (15).
- ◆ Replace the worn part.
- ◆ Fit and tighten the screw (15).

Finger attachment (fig. I)

The finger attachment is used for fine detail sanding.

- ◆ Remove the screw (15).
- ◆ Remove the diamond-shaped tip holder (5) from the sanding base.
- ◆ Fit the finger attachment (6) onto the sanding base.
- ◆ Fit and tighten the screw (15).
- ◆ Fit the appropriate sanding sheet (16) onto the finger attachment.

Use

Warning! Let the tool work at its own pace. Do not overload.

Warning! Do not cover the ventilation slots when using the tool. Make sure that the sanding base is flat on the workpiece.

- ◆ Store the tool with a base in place.
- ◆ Keep hands away from the spindle area on the tool.
- ◆ Do not rest fingers on the base during use.

Switching on and off (fig. J)

- ◆ To switch the tool on, set the on/off switch (1) to position **I**.
- ◆ To switch the tool off, set the on/off switch (1) to position **O**.

Emptying the dust canister (fig. K)

The dust canister (7) should be emptied after every ten minutes of use.




- ◆ Pull the dust canister (7) to the rear and off the tool away from the connection port (7a).
- ◆ Empty into a suitable receptacle and replace on tool.

Accessories

The performance of your tool depends on the accessory used. BLACK+DECKER accessories are engineered to high quality standards and designed to enhance the performance of your tool. By using these accessories you will get the very best from your tool.

The accessories supplied with your sander depend upon the model that you have purchased. If you require an accessory that is listed below but is not supplied with your sander please

visit our website at www.blackanddecker.eu

Item	Description	Purpose
	Large detail sanding base (4).	For medium to large areas. The large detail base can be used to sand into corners and to the edge of the workpiece.
	Random orbit sanding base (3).	For large areas. The random orbit base can be used for curved surfaces and when you need a high-quality finish.
	Detail finger (6).	For small hard-to-reach areas. The detail finger can be used for light sanding and for sanding into corners.

Hints for optimum use

- ◆ For user comfort, the tool can be operated with one or two hands (fig. L, M, N). Do not place your hands over the ventilation slots.
- ◆ Do not exert too much pressure on the tool.
- ◆ Regularly check the condition of the sanding sheet. Replace when necessary.
- ◆ Always sand with the grain of the wood.
- ◆ When sanding new layers of paint before applying another layer, use extra fine grit.
- ◆ On very uneven surfaces, or when removing layers of paint, start with a coarse grit. On other surfaces, start with a medium grit. In both cases, gradually change to a fine grit for a smooth finish.
- ◆ Consult your retailer for more information on available accessories.

Maintenance

Your BLACK+DECKER tool has been designed to operate over a long period of time with a minimum of maintenance. Continuous satisfactory operation depends upon proper tool care and regular cleaning.

Warning! Before performing any maintenance on the tool, remove unplug the charger before cleaning it.

- ◆ Regularly clean the ventilation slots in your tool using a soft brush or dry cloth.
- ◆ Regularly clean the motor housing using a damp cloth. Do not use any abrasive or solvent-based cleaner.

Mains plug replacement (U.K. & Ireland only)

If a new mains plug needs to be fitted:

- ◆ Safely dispose of the old plug.
- ◆ Connect the brown lead to the live terminal in the new plug.
- ◆ Connect the blue lead to the neutral terminal.

Warning! No connection is to be made to the earth terminal.

Follow the fitting instructions supplied with good quality plugs.

Recommended fuse: 5 A.

Protecting the environment



Separate collection. Products and batteries marked with this symbol must not be disposed of with normal household waste.

Products and batteries contain materials that can be recovered or recycled reducing the demand for raw materials. Please recycle electrical products and batteries according to local provisions. Further information is available at www.2helpU.com

Technical data

BEW200		
Input voltage	V _{AC}	230
Power input	W	200
No-load speed	min ⁻¹	12000
Weight	kg	1.40 (with detail base), 1.34 (with ROS base)

Level of sound pressure according to EN 62841:

Sound pressure (L_{pA}) 85.5 dB(A), uncertainty (K) 3 dB(A)

Sound power (L_{WA}) 93.5 dB(A), uncertainty (K) 3 dB(A)

Vibration total values (triax vector sum) according to EN 62841:

(a) 9.8 m/s², uncertainty (K) 1.5 m/s²

EC declaration of conformity

MACHINERY DIRECTIVE



BEW200 Sander

Black & Decker declares that these products described under "technical data" are in compliance with.

2006/42/EC, EN 62841-1:2015 + AC:2015 +A11:2022 ,
EN62841-2-4:2014.

These products also comply with Directive 2014/30/EC and 2011/65/EU.

For more information, please contact Black & Decker at the following address or refer to the back of the manual.

The undersigned is responsible for compilation of the technical file and makes this declaration on behalf of Black & Decker.

Patrick Diepenbach

Patrick Diepenbach
General Manager, Benelux
Black and Decker,
Egide Walschaertsstraat 14-18
2800 Mechelen, Belgium
23/09/2022

Declaration of conformity

The Supply of Machinery (Safety) Regulations 2008



BEW200 Sander

Black & Decker declares that these products described under "technical data" are in compliance with.

The Supply of Machinery (Safety) Regulations, 2008, S.I. 2008/1597 (as amended),

EN 62841-1:2015 + AC:2015 +A11:2022 , EN62841-2-4:2014.

These products conform to the following UK Regulations:
Electromagnetic Compatibility Regulations, 2016,
S.I.2016/1091 (as amended).

The Restriction of the Use of Certain Hazardous Substances in Electrical and Electronic Equipment Regulations 2012, S.I. 2012/3032 (as amended).

For more information, please contact Black & Decker at the following address or refer to the back of the manual.

The undersigned is responsible for compilation of the technical file and makes this declaration on behalf of Black & Decker.

Ed Higgins

Director - Consumer Power Tools
Black and Decker UK, 270 Bath Road, Slough
Berkshire, SL1 4DX
United Kingdom
23/09/2022

Garantie

Black & Decker is confident of the quality of its products and offers consumers a 24 month guarantee from the date of purchase. This guarantee is in addition to and in no way prejudices your statutory rights. The guarantee is valid within the territories of the Member States of the European Union and the European Free Trade Area and the United Kingdom.

To claim on the guarantee, the claim must be in accordance with Black & Decker Terms and Conditions and you will need to submit proof of purchase to the seller or an authorised repair agent.

Terms and conditions of the Black & Decker 2 year guarantee and the location of your nearest authorised repair agent can be obtained on the Internet at www.2helpU.com, or by contacting your local Black & Decker office at the address indicated in this manual.

Please visit our website www.blackanddecker.co.uk to register your new Black & Decker product and receive updates on new products and special offers.

Verwendungszweck

Ihr BLACK+DECKER-Schleifgerät BEW200 wurde zum Schleifen und Polieren von Holz, Metall, Kunststoff und lackierten Oberflächen entwickelt. Dieses Gerät ist nicht für den gewerblichen Einsatz vorgesehen.

Sicherheitshinweise

Allgemeine Sicherheitswarnungen für das Gerät



Warnung! Beachten Sie alle Sicherheitshinweise, Anweisungen, Darstellungen und Daten, die Sie mit dem Gerät erhalten. Wenn Sie die folgenden Anweisungen nicht beachten, kann es zu elektrischem Schlag, Feuer und/oder schweren Verletzungen kommen.

Bewahren Sie alle Sicherheitswarnungen und Anweisungen gut auf.

Der nachfolgend verwendete Begriff "Gerät" bezieht sich auf netzbetriebene Geräte (mit Netzkabel) und auf akkubetriebene Geräte (ohne Netzkabel).

1. Sicherheit im Arbeitsbereich

- Halten Sie Ihren Arbeitsbereich sauber und gut ausgeleuchtet.** Unaufgeräumte oder dunkle Bereiche begünstigen Unfälle.
- Betreiben Sie das Gerät nicht in Umgebungen, in denen Explosionsgefahr z. B. aufgrund von brennbaren Flüssigkeiten, Gasen oder Staub besteht.** Geräte erzeugen Funken, die den Staub oder die Dämpfe entzünden können.
- Halten Sie Kinder und andere Personen während der Benutzung eines Geräts fern.** Bei Ablenkung können Sie die Kontrolle verlieren.

2. Elektrische Sicherheit

- Der Netzstecker des Geräts muss in die Steckdose passen. Ändern Sie niemals den Stecker in irgendeiner Form. Verwenden Sie keinerlei Adapterstecker an geerdeten Elektrogeräten.** Unveränderte Stecker und passende Steckdosen mindern die Gefahr eines elektrischen Schlages.
- Vermeiden Sie Körperkontakt mit geerdeten Oberflächen von Rohren, Heizungen, Herden und Kühlschränken.** Es besteht eine erhöhte Gefahr für einen elektrischen Schlag, wenn Ihr Körper geerdet ist.
- Halten Sie Geräte von Regen und Nässe fern.** Das Eindringen von Wasser in ein Gerät erhöht das Risiko eines elektrischen Schlags.
- Verwenden Sie das Kabel ordnungsgemäß. Verwenden Sie es niemals zum Tragen. Trennen Sie das Gerät nicht durch Ziehen am Kabel vom Netz. Halten Sie das Kabel fern von Hitze, Öl, scharfen Kanten oder beweglichen Teilen.** Beschädigte oder

verhedderte Kabel erhöhen die Gefahr eines elektrischen Schlags.

- e. **Verwenden Sie nur für den Außenbereich zugelassene Verlängerungskabel, wenn Sie mit dem Gerät im Freien arbeiten.** Die Verwendung eines für den Außenbereich geeigneten Verlängerungskabels verringert das Risiko eines elektrischen Schlags.
- f. **Wenn das Gerät in einer feuchten Umgebung verwendet werden muss, schließen Sie es unbedingt an eine Steckdose mit Fehlerstromschutzschalter (FI-Schalter) an.** Ein Fehlerstromschutzschalter verringert das Risiko eines elektrischen Schlags.

3. Sicherheit von Personen

- a. **Seien Sie aufmerksam, achten Sie darauf, was Sie tun, und gehen Sie sachgerecht mit einem Gerät um. Benutzen Sie kein Gerät, wenn Sie müde sind oder unter dem Einfluss von Drogen, Alkohol oder Medikamenten stehen.** Ein Moment der Unachtsamkeit beim Betrieb eines Geräts kann zu schweren Verletzungen führen.
- b. **Verwenden Sie eine geeignete Schutzausrüstung. Tragen Sie immer einen Augenschutz.** Das Tragen persönlicher Schutzausrüstung, wie Staubmaske, rutschfeste Sicherheitsschuhe, Schutzhelm oder Gehörschutz, je nach Art und Einsatz des Geräts, verringert das Risiko von Verletzungen.
- c. **Vermeiden Sie eine unbeabsichtigte Inbetriebnahme. Vergewissern Sie sich, dass das Gerät ausgeschaltet ist, bevor Sie es an eine Steckdose oder einen Akku anschließen, es hochheben oder tragen.** Wenn Sie beim Tragen des Geräts den Finger am Schalter haben oder das Gerät eingeschaltet an die Stromversorgung anschließen, kann dies zu Unfällen führen.
- d. **Entfernen Sie Einstell- oder Schraubenschlüssel, bevor Sie das Gerät einschalten.** Werkzeuge oder Schlüssel, die an rotierenden Teilen des Geräts angebracht sind, können zu Verletzungen führen.
- e. **Beugen Sie sich nicht zu weit nach vorne. Sorgen Sie für einen sicheren Stand und halten Sie jederzeit das Gleichgewicht.** Dadurch können Sie das Gerät in unerwarteten Situationen besser kontrollieren.
- f. **Tragen Sie geeignete Kleidung. Tragen Sie keine weite Kleidung und keinen Schmuck. Halten Sie Ihre Haare, Kleidung und Handschuhe von beweglichen Teilen fern.** Lose sitzende Kleidung, Schmuck oder lange Haare können sich in den beweglichen Teilen verfangen.
- g. **Falls Vorrichtungen zum Absaugen oder Auffangen von Staub vorhanden sind, vergewissern Sie sich, dass diese angeschlossen sind und richtig verwendet werden.** Das Verwenden einer Staubauffangvorrichtung verringert Gefährdungen durch Staub.
- h. **Vermeiden Sie, durch die häufige Nutzung des**

Werkzeugs in einen Trott zu verfallen und Prinzipien für die Werkzeugsicherheit zu ignorieren. Eine unachtsame Aktion kann im Bruchteil einer Sekunde zu schweren Verletzungen führen.

4. Gebrauch und Pflege von Geräten

- a. **Überlasten Sie das Gerät nicht. Verwenden Sie das für Ihre Arbeit passende Gerät.** Das richtige Gerät wird die Aufgabe besser und sicherer erledigen, wenn es bestimmungsgemäß verwendet wird.
- b. **Verwenden Sie das Gerät nicht, wenn der Ein-/Ausschalter nicht funktioniert.** Ein Gerät, das sich nicht mehr ein- oder ausschalten lässt, ist gefährlich und muss repariert werden.
- c. **Ziehen Sie den Stecker aus der Steckdose, oder trennen Sie das Gerät vom Akku, bevor Sie Einstellungen vornehmen, Zubehörteile wechseln oder das Gerät lagern.** Diese Vorbeugemaßnahmen mindern die Gefahr, dass das Elektrogerät unbeabsichtigt startet.
- d. **Bewahren Sie unbenutzte Geräte außerhalb der Reichweite von Kindern auf. Lassen Sie Geräte nicht von Personen benutzen, die damit nicht vertraut sind oder diese Anweisungen nicht gelesen haben.** Geräte sind in den Händen nicht geschulter Personen gefährlich.
- e. **Halten Sie das Gerät und sein Zubehör in einem einwandfreien Zustand. Kontrollieren Sie, ob bewegliche Teile falsch ausgerichtet sind oder klemmen und ob Teile gebrochen oder so beschädigt sind, dass die Funktion des Geräts beeinträchtigt ist. Bei Beschädigungen lassen Sie das Gerät reparieren, bevor Sie es verwenden.** Viele Unfälle entstehen wegen mangelnder Wartung der Geräte.
- f. **Halten Sie Schneidgeräte scharf und sauber.** Richtig gewartete Schneidwerkzeuge mit scharfen Klingen blockieren seltener und sind leichter unter Kontrolle zu halten.
- g. **Verwenden Sie Gerät, Zubehör, Einsatz-Bits usw. entsprechend diesen Anweisungen und berücksichtigen Sie dabei die Arbeitsbedingungen und die auszuführende Arbeit.** Der Gebrauch von Geräten für andere als die vorgesehenen Zwecke kann zu gefährlichen Situationen führen.
- h. **Halten Sie die Griffe trocken, sauber und frei von Öl und Fett.** Rutschige Griffe und Oberflächen unterbinden die sichere Bedienbarkeit und Kontrolle über das Werkzeug in unerwarteten Situationen.

5. Service

- a. **Lassen Sie das Gerät nur von qualifiziertem Fachpersonal und nur mit Originalersatzteilen**

reparieren.

Damit wird sichergestellt, dass die Sicherheit des Geräts erhalten bleibt.

Zusätzliche Sicherheitswarnungen für das Gerät

Warnung! Zusätzliche Sicherheitswarnungen für Schleifgeräte

- ◆ **Halten Sie das Elektrowerkzeug an den isolierten Griffflächen, da die Schleifplatte die eigene Anschlussleitung berühren könnte.** Der Kontakt mit stromführenden Leitungen kann auch offen liegende Metallteile am Gerät unter Strom setzen und zu einem Stromschlag führen.
- ◆ **Sichern Sie das Werkstück zum Beispiel mit Einspannvorrichtungen auf einer stabilen Plattform.** Das Werkstück ist instabil, wenn es mit der Hand oder dem Körper abgestützt wird, was zum Verlust der Kontrolle führen kann.
- ◆ **Warnung! Die beim Schleifen von bestimmten Materialien entstehenden Stäube können bei Berührung oder Einatmen die Gesundheit schädigen.** Tragen Sie eine speziell für den Schutz vor Staub und Dämpfen vorgesehene Staubmaske, und stellen Sie sicher, dass auch andere Personen entsprechend geschützt sind, die den Arbeitsplatz betreten oder sich dort aufhalten.
- ◆ **Entfernen Sie nach dem Schleifen sorgfältig alle Staubreste.**
- ◆ **Treffen Sie beim Schleifen von möglicherweise bleihaltiger Farbe oder von bestimmten Holz- und Metallarten, die giftigen Staub bilden können, besondere Maßnahmen:**
 - ◆ Halten Sie Kinder oder Schwangere vom Arbeitsplatz fern.
 - ◆ Essen, trinken und rauchen Sie nicht am Arbeitsplatz.
 - ◆ Entsorgen Sie Staubteilchen und andere Schleifabfälle sachgerecht.
- ◆ **Die bestimmungsgemäße Verwendung ist in dieser Betriebsanleitung beschrieben.** Die Verwendung von Zubehör- oder Anbauteilen, die nicht in dieser Anleitung empfohlen werden, sowie die Bedienung des Geräts in Abweichung von den in dieser Anleitung beschriebenen Verfahren können zu Verletzungen und/oder Sachschäden führen.

Sicherheit anderer Personen

- ◆ Dieses Gerät darf nicht von Personen (einschließlich Kindern) mit eingeschränkten physischen, sensorischen oder mentalen Fähigkeiten oder ohne ausreichende Erfahrung oder Kenntnisse verwendet werden, außer wenn diese Personen von einer Person, die für ihre

Sicherheit verantwortlich ist, bei der Verwendung des Geräts beaufsichtigt oder mit ihm vertraut gemacht werden.

- ◆ Kinder müssen beaufsichtigt werden, um sicherzustellen, dass sie nicht mit dem Gerät spielen.

Restrisiken.

Beim Gebrauch dieses Geräts verbleiben zusätzliche Restrisiken, die möglicherweise nicht in den Sicherheitswarnungen genannt werden. Diese Risiken bestehen beispielsweise bei Missbrauch oder längerem Gebrauch.

Auch bei der Einhaltung der entsprechenden Sicherheitsvorschriften und der Verwendung aller Sicherheitsgeräte bestehen weiterhin bestimmte Restrisiken. Diese sind:

- ◆ Verletzungen, die durch das Berühren von sich drehenden/bewegenden Teilen verursacht werden.
- ◆ Verletzungen, die durch das Austauschen von Teilen, Messern oder Zubehör verursacht werden.
- ◆ Verletzungen, die durch längeren Gebrauch eines Geräts verursacht werden. Legen Sie bei längerem Gebrauch regelmäßige Pausen ein.
- ◆ Beeinträchtigung des Gehörs.
- ◆ Gesundheitsrisiken durch das Einatmen von Staub beim Verwenden des Geräts (beispielsweise bei Holzarbeiten, insbesondere Eiche, Buche und MDF.)

Vibration

Die in den Abschnitten „Technische Daten“ und „EU-Konformitätserklärung“ angegebenen Werte für die Vibrationsemission wurden mit einer Standard-Prüfmethode nach EN62841 ermittelt und können zum Vergleich verschiedener Geräte herangezogen werden. Außerdem kann mit Hilfe dieses Werts die Belastung bei Verwendung des Geräts schon im Voraus eingeschätzt werden.

Warnung! Die bei Verwendung des Geräts auftretende Vibrationsemission hängt von der Art des Gerätegebrauchs ab und kann dementsprechend von dem angegebenen Wert abweichen. Gegebenenfalls kann die Vibration über dem angegebenen Wert liegen.

Für die Ermittlung der Vibrationsbelastung müssen die tatsächlichen Einsatzbedingungen und Verwendungen des Geräts während des gesamten Arbeitsgangs berücksichtigt werden, einschließlich der Zeiten, wenn das Gerät nicht verwendet oder im Leerlauf betrieben wird. Diese Werte werden benötigt, um die gemäß 2002/44/EG erforderlichen Sicherheitsmaßnahmen zum Schutz von Personen festlegen zu können.

Etiketten am Werkzeug

Am Gerät sind die folgenden Warnsymbole inkl. Datumscode angebracht:



Warnung! Lesen Sie vor Gebrauch die Anleitung. Andernfalls besteht Verletzungsgefahr.

Elektrische Sicherheit



Dieses Gerät ist schutzisoliert, daher ist keine Erdleitung erforderlich. Überprüfen Sie immer, dass die Stromversorgung der Spannung auf dem Typenschild entspricht.

- ◆ Bei einer Beschädigung des Netzkabels muss dieses durch den Hersteller oder eine BLACK+DECKER-Vertragswerkstatt ausgetauscht werden, um mögliche Gefahren zu vermeiden.

Merkmale

Dieses Gerät verfügt über einige oder alle der folgenden Merkmale:

1. Ein-/Aus-Schalter
2. Motorbasis
3. Exzenter-Schleifplatte
4. Große Dreieckschleifplatte
5. Schleifplattenspitze
6. Fingerschleifaufsatz
7. Staubfangbehälter

Montage

Warnung! Vergewissern Sie sich vor der Montage, dass das Gerät ausgeschaltet ist und der Netzstecker gezogen wurde.

Entfernen der Schleifplatten (Abb. A, B)

- ◆ Zum Entfernen der Schleifplatte lösen Sie die Sicherungsschraube (9) wie in Abbildung A gezeigt mit Hilfe des mitgelieferten Inbusschlüssels (8) von der Schleifplatte.
- ◆ Ziehen Sie die Schleifplatte wie in Abbildung B gezeigt vom Werkzeug ab.

Anbringen der Exzenter-Schleifplatte (Abb. C, C1)

- ◆ Halten Sie das Gerät so fest, dass die Schleifplatte (3) wie in Abb. C dargestellt nach oben weist.
- ◆ Drücken Sie die Schleifplatte nach unten, bis diese mit einem Klicken einrastet.
- ◆ Bringen Sie die Sicherungsschraube (9) wieder an und ziehen Sie sie wie in Abbildung C gezeigt mit Hilfe des mitgelieferten Inbusschlüssels (8) fest.
- ◆ Verwenden Sie wie in Abbildung C1 gezeigt einen Schraubendreher (17) (nicht mitgeliefert), um die Schleifplatte an ihrer Position zu halten, während Sie die Sicherungsschraube (9) festziehen.

Anbringen der Schleifblätter (Abb. D)

- ◆ Halten Sie das Gerät so, dass die Schleifplatte (3) nach

oben weist.

- ◆ Setzen Sie das Schleifblatt (11) auf die Schleifplatte (3) auf. Achten Sie dabei darauf, dass die Löcher im Schleifblatt (falls zutreffend) wie in Abbildung D gezeigt mit den Löchern in der Schleifplatte übereinstimmen.

Große Dreieckschleifplatte

Mit dieser Schleifplatte können Sie das Gerät als Dreieckschleifer verwenden oder zwei Oberflächen bündig schleifen.

Anbringen der großen Dreieckschleifplatte (Abb. E, F, F1)

Bei kleinen Schleifbereichen sollte das spitze Ende nach vorne weisen (Abb. E).

Bei großen Schleifbereichen sollte das spitze Ende nach hinten weisen (Abb. F).

- ◆ Bringen Sie die Schleifplatte wie oben unter „Anbringen der Exzenter-Schleifplatte“ beschrieben an.
- ◆ Drücken Sie die Schleifplatte nach unten, bis diese mit einem Klicken einrastet.
- ◆ Bringen Sie die Sicherungsschraube (9) wieder an und ziehen Sie sie mit Hilfe des mitgelieferten Inbusschlüssels (8) fest.
- ◆ Verwenden Sie wie in Abbildung F1 gezeigt einen Schraubendreher (17) (nicht mitgeliefert), um die Schleifplatte an ihrer Position zu halten, während Sie die Sicherungsschraube (9) festziehen.

Anbringen der Schleifblätter (Abb. G)

- ◆ Trennen Sie die beiden rautenförmigen Spitzen (14) vom Schleifblatt (12) ab.
- ◆ Halten Sie das Gerät so, dass die Schleifplatte nach oben weist.
- ◆ Setzen Sie das Schleifblatt (12) auf die Schleifplatte auf. Achten Sie dabei darauf, dass die Löcher im Schleifblatt (falls zutreffend) mit den Löchern in der Schleifplatte übereinstimmen.

Die rautenförmige Spitze (13) kann bei Verschleiß umgedreht oder ausgetauscht werden.

- ◆ Wenn der vordere Teil der Schleifspitze verschlissen ist, trennen Sie die Schleifspitze vom Schleifblatt, drehen Sie die Spitze um, und drücken Sie sie wieder an die Schleifplatte an.
- ◆ Nehmen Sie die Spitze von der Schleifplatte ab, wenn die gesamte Spitze verschlissen ist, und bringen Sie eine neue rautenförmige Spitze (13) an.

Spitze der Schleifplatte (Abb. H)

Der rautenförmige Spitzenthalter (5) kann bei Verschleiß ausgetauscht werden. Ersatzteile erhalten Sie im BLACK+DECKER-Fachhandel.

- ◆ Entfernen Sie die Schraube (15).

- ◆ Ersatz des verschlissenen Teils.
- ◆ Bringen Sie die Schraube (15) an, und ziehen Sie diese fest.

Fingerschleifaufsatz (Abb. I)

Der Fingerschleifaufsatz wird für feine Schleifarbeiten eingesetzt.

- ◆ Entfernen Sie die Schraube (15).
- ◆ Entfernen Sie den rautenförmigen Spitzenhalter (5) von der Schleifplatte.
- ◆ Bringen Sie den Fingerschleifaufsatz (6) an der Schleifplatte an.
- ◆ Bringen Sie die Schraube (15) an, und ziehen Sie diese fest.
- ◆ Bringen Sie das entsprechende Schleifblatt (16) am Fingerschleifaufsatz an.

Verwendung

Warnung! Beschleunigen Sie den Arbeitsvorgang nicht mit Gewalt. Vermeiden Sie eine Überlastung.

Warnung! Bedecken Sie bei der Verwendung des Geräts nicht die Lüftungsschlitze. Stellen Sie sicher, dass die Schleifplatte flach auf dem Werkstück liegt.

- ◆ Lagern Sie das Gerät mit einer angebrachten Schleifplatte.
- ◆ Halten Sie Ihre Hände vom Spindelbereich des Geräts fern.
- ◆ Berühren Sie während des Gebrauchs die Schleifplatte nicht mit den Fingern.

Ein- und Ausschalten (Abb. J)

- ◆ Zum Einschalten des Geräts stellen Sie den Ein-/Ausschalter (1) auf die Position I.
- ◆ Zum Ausschalten des Geräts stellen Sie den Ein-/Ausschalter (1) auf die Position O.

Entleeren des Staubfangbehälters (Abb. K)


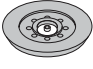

Der Staubfangbehälter (7) muss während des Betriebs alle zehn Minuten entleert werden.

- ◆ Ziehen Sie den Staubfangbehälter (7) nach hinten und vom Anschluss (7a) weg vom Gerät ab.
- ◆ Entleeren Sie ihn in einen geeigneten Abfallbehälter und bringen Sie ihn wieder am Gerät an.

Zubehör

Das verwendete Zubehör hat wesentlichen Einfluss auf die Leistung des Geräts. Zubehörteile von BLACK+DECKER erfüllen höchste Qualitätsstandards und wurden speziell für die Verwendung mit Ihrem Gerät entwickelt. Bei Verwendung dieses Zubehörs erhalten Sie stets optimale Ergebnisse. Welches Zubehörteil mit dem Schleifgerät geliefert wird, ist vom jeweils erworbenen Modell abhängig. Wenn Sie ein Zubehörteil benötigen, das im Folgenden aufgeführt ist, jedoch nicht mit dem Schleifgerät geliefert wurde,

finden Sie weitere Informationen auf unserer Website www.blackanddecker.eu.

Artikel	Beschreibung	Aufgabe
	Große Dreieckschleifplatte (4)	Für mittlere bis große Bereiche. Die große Dreieckschleifplatte dient zum Schleifen von Ecken und Kanten eines Werkstücks.
	Exzenter-Schleifplatte (3)	Für große Bereiche. Die Exzenter-Schleifplatte dient zum Schleifen von gebogenen und qualitativ hochwertigen Oberflächen.
	Fingerschleifaufsatz (6)	Für kleine, schwer zugängliche Bereiche. Der Fingerschleifaufsatz dient zum leichten Schleifen sowie zum Schleifen von Ecken.

Hinweise für optimale Arbeitsergebnisse

- ◆ Das Gerät kann je nach Vorliebe des Bedieners ein- oder beidhändig bedient werden (Abb. L, M, N). Legen Sie die Hände nicht auf die Lüftungsschlitze.
- ◆ Üben Sie keinen zu großen Druck auf das Gerät aus.
- ◆ Überprüfen Sie regelmäßig den Zustand des Schleifblatts. Tauschen Sie dieses bei Bedarf aus.
- ◆ Schleifen Sie immer in Richtung der Holzmaserung.
- ◆ Zum Schleifen frischer Farbschichten vor dem Auftragen weiterer Schichten verwenden Sie sehr feines Schleifpapier.
- ◆ Auf sehr unebenen Oberflächen sowie zum Entfernen alter Farbschichten verwenden Sie zunächst grobes Schleifpapier. Auf anderen Oberflächen verwenden Sie zunächst mittelgrobes Schleifpapier. Wechseln Sie in beiden Fällen nach einiger Zeit zu feinem Schleifpapier, damit Sie eine glatte Oberfläche erhalten.
- ◆ Weitere Informationen über Zubehör erhalten Sie bei Ihrem Händler.

Wartung

Ihr BLACK+DECKER Gerät wurde im Hinblick auf eine lange Lebensdauer und einen möglichst geringen Wartungsaufwand entwickelt. Ein kontinuierlicher, zufriedenstellender Betrieb hängt von der richtigen Pflege des Gerätes und seiner regelmäßigen Reinigung ab.

Warnung! Ziehen Sie vor jeglichen Wartungsarbeiten am Gerät den Netzstecker des Ladegeräts aus der Steckdose.

- ◆ Reinigen Sie regelmäßig die Lüftungsschlitze des Geräts mit Hilfe einer weichen Bürste oder eines trockenen Tuchs.
- ◆ Reinigen Sie das Motorgehäuse regelmäßig mit einem feuchten Tuch. Verwenden Sie keine scheuernden Reinigungsmittel oder Reinigungsmittel auf Lösungsmittelbasis.

Austauschen des Netzsteckers (nur Großbritannien und Irland)

Wenn ein neuer Netzstecker angebracht werden muss:

- ◆ Entsorgen Sie den alten Stecker auf sachgerechte Weise.
- ◆ Verbinden Sie die braune Leitung mit dem spannungsführenden Anschluss des Steckers.
- ◆ Verbinden Sie die blaue Leitung mit dem neutralen Anschluss.

Warnung! Stellen Sie keine Verbindung mit dem Erdungsanschluss her. Befolgen Sie die Montageanweisungen, die mit hochwertigen Steckern mitgeliefert werden. Empfohlene Sicherung: 5 A.

Umweltschutz



Getrennte Entsorgung. Produkte und Akkus mit diesem Symbol dürfen nicht mit dem normalen Hausmüll entsorgt werden.

Produkte und Akkus enthalten Materialien, die wiederverwertet werden können, um den Bedarf an Rohstoffen zu verringern. Bitte recyceln Sie elektrische Produkte und Akkus gemäß den örtlichen Bestimmungen. Weitere Informationen finden Sie auf www.2helpU.com

Technische Daten

BEW200		
Eingangsspannung	V_{AC}	230
Leistungsaufnahme	W	200
Leerlaufdrehzahl	min^{-1}	12000
Gewicht	kg	1,40 (mit Dreieckschleifplatte), 1,34 (mit Exzenter-Schleifplatte)
Schalldruckpegel gemäß EN 62841:		
Schalldruck (L_{pA}) 85,5 dB(A), Unsicherheitsfaktor (K) 3 dB(A)		
Schalleistung (L_{WA}) 93,5 dB(A), Unsicherheitsfaktor (K) 3 dB(A)		
Gesamtvibration (Triax-Vektorsumme) gemäß EN 62841:		
(a) 9,8 m/s ² , Unsicherheitsfaktor (K) 1,5 m/s ²		

EG-Konformitätserklärung MASCHINENRICHTLINIE



Black & Decker erklärt, dass die unter "Technische Daten" beschriebenen Geräte übereinstimmen mit:
2006/42/EG, EN 62841-1:2015 + AC:2015 +A11:2022,
EN62841-2-4:2014

Sie von Black & Decker unter der folgenden Adresse. Diese befindet sich auch auf der Rückseite dieser Anleitung. Der Unterzeichnete ist verantwortlich für die Zusammenstellung der technischen Daten und gibt diese Erklärung im Namen von Black & Decker ab.

Patrick Diepenbach

Patrick Diepenbach
General Manager, Benelux
Black and Decker EU
Egide Walschaertsstraat 14-18
2800 Mechelen, Belgien
23/09/2022

Garantie

Black & Decker vertraut auf die Qualität der eigenen Geräte und bietet dem Käufer eine außergewöhnliche Garantie von 24 Monaten ab Kaufdatum. Diese Garantie versteht sich unbeschadet der gesetzlichen Gewährleistungsansprüche und schränkt diese keinesfalls ein. Diese Garantie gilt innerhalb der Staatsgebiete der Mitgliedstaaten der Europäischen Union und der Europäischen Freihandelszone und des Vereinigten Königreichs.

Zur Inanspruchnahme dieser Garantie muss sie den allgemeinen Geschäftsbedingungen von Black & Decker entsprechen und dem Verkäufer bzw. der Vertragswerkstatt ist ein Kaufnachweis vorzulegen.

Die Bedingungen für die 2-jährige Garantie von Black & Decker und den Standort Ihrer nächstgelegenen Vertragswerkstatt finden Sie im Internet unter www.2helpU.com oder indem Sie sich an die lokale Black & Decker-Niederlassung wenden, deren Adresse Sie in dieser Anleitung finden.

Ihr neues Black & Decker Produkt können Sie auf unserer Website unter www.blackanddecker.de registrieren. Dort erhalten Sie auch Informationen über neue Produkte und Sonderangebote.

Diese Produkte entsprechen außerdem den Richtlinien 2004/30/EG und 2011/65/EU. Weitere Informationen erhalten

Utilisation prévue

Votre ponceuse BLACK+DECKER BEW200 a été conçue pour poncer et polir le bois, le métal, le plastique et les surfaces peintes. Cet outil est destiné à un usage grand public uniquement.

Consignes de sécurité

Avertissements de sécurité générale liés aux outils électriques



Avertissement ! Veuillez lire tous les avertissements de sécurité, toutes les instructions, illustrations et spécifications fournies avec cet outil électrique. Le non respect des instructions listées ci-dessous peut conduire à des chocs électriques, des incendies et/ou de graves blessures.

Conservez tous les avertissements et toutes les instructions afin de pouvoir vous y référer dans le futur. Le terme "outil électrique" mentionné dans tous les avertissements listés ci-dessous fait référence à vos outils électriques branchés sur secteur (avec câble) ou fonctionnant sur pile ou batterie (sans fil).

1. Sécurité de la zone de travail

- a. **Maintenez la zone de travail propre et bien éclairée.** Les zones sombres ou encombrées sont propices aux accidents.
- b. **N'utilisez pas d'outils électriques dans un environnement présentant des risques d'explosion ou en présence de liquides, gaz ou poussières inflammables.** Les outils électriques créent des étincelles qui peuvent enflammer les poussières et les fumées.
- c. **Maintenez les enfants et les autres personnes éloignés lorsqu'un outil électrique est en marche.** Toute distraction peut vous faire perdre le contrôle de l'outil.

2. Sécurité électrique

- a. **Les prises des outils électriques doivent correspondre à la prise de courant murale. Ne modifiez jamais la prise d'aucune sorte. N'utilisez aucun adaptateur avec des outils électriques reliés à la terre.** L'utilisation de prises d'origine et de prises murales appropriées permet de réduire le risque de choc électrique.
- b. **Évitez tout contact physique avec des surfaces reliées à la terre comme des tuyaux, des radiateurs, des fours et des réfrigérateurs par exemple.** Il y a sinon un risque accru de choc électrique si votre corps est lui-même relié à la terre.
- c. **N'exposez pas les outils électriques à la pluie, ni à l'humidité.** Le risque de choc électrique augmente si de

l'eau pénètre dans un outil électrique.

- d. **Ne tirez pas sur le cordon d'alimentation. N'utilisez jamais le cordon pour transporter, tirer ou débrancher l'outil électrique. Maintenez le cordon éloigné de la chaleur, de substances grasses, de bords tranchants ou de pièces mobiles.** Les cordons endommagés ou emmêlés augmentent le risque de choc électrique.
 - e. **Si vous utilisez un outil électrique à l'extérieur, utilisez une rallonge homologuée pour les travaux extérieurs.** L'utilisation d'une rallonge électrique homologuée pour les travaux en extérieur réduit le risque de choc électrique.
 - f. **Si l'utilisation d'un outil électrique dans un endroit humide est inévitable, utilisez une alimentation électrique protégée par un disjoncteur différentiel à courant résiduel (DDR).** L'utilisation d'un disjoncteur différentiel réduit le risque de choc électrique.
- #### 3. Sécurité des personnes
- a. **Restez vigilant, surveillez ce que vous faites et faites preuve de bon sens lorsque vous utilisez un outil électrique. N'utilisez pas d'outils électriques si vous êtes fatigué ou sous l'influence de drogue, d'alcool ou de médicaments.** Tout moment d'inattention pendant l'utilisation d'un outil électrique peut engendrer de graves blessures.
 - b. **Portez des équipements de protection individuelle. Portez toujours une protection oculaire.** Les équipements de protection comme les masques à poussière, les chaussures de sécurité antidérapantes, les casques ou les protections auditives, utilisés à bon escient, réduisent le risque de blessures.
 - c. **Empêchez tout démarrage intempestif. Assurez-vous que l'interrupteur est en position Arrêt avant de raccorder l'outil à l'alimentation électrique et/ou au bloc-batterie ou avant de ramasser ou de transporter l'outil.** Le fait de transporter les outils électriques le doigt sur l'interrupteur ou d'alimenter les outils électriques dont l'interrupteur est déjà en position de marche augmente le risque d'accidents.
 - d. **Retirez toutes les clés ou pinces de réglage avant de mettre l'outil en marche.** Une clé ou une pince restée fixée sur une pièce rotative de l'outil électrique peut engendrer des blessures.
 - e. **Ne vous penchez pas. Gardez les pieds bien ancrés au sol et conservez votre équilibre en permanence.** Cela permet de mieux maîtriser l'outil électrique en cas de situations imprévues.
 - f. **Portez des vêtements appropriés. Ne portez aucun vêtement ample ou bijou. Gardez vos cheveux, vos vêtements et vos gants éloignés des pièces mobiles.** Les vêtements amples, les bijoux ou les cheveux longs peuvent être happés par les pièces mobiles.

- g. **Si des dispositifs pour le raccordement d'un extracteur de poussières ou des installations pour la récupération sont présents, assurez-vous qu'ils sont correctement raccordés et utilisés.** L'utilisation de dispositifs récupérateurs de poussières réduit les risques liés aux poussières.
- h. **Ne pensez pas être familiarisé avec l'outil après l'avoir utilisé à de nombreuses reprises, au point de ne plus rester vigilant et d'en oublier les consignes de sécurité.** Toute action imprudente peut engendrer de graves blessures en une fraction de seconde.
4. **Utilisation et entretien des outils électriques**
- a. **Respectez la capacité de l'outil. Utilisez l'outil approprié en fonction du travail à réaliser.**
Un outil adapté fonctionne mieux, de façon plus sûre et à la cadence pour laquelle il a été conçu.
- b. **N'utilisez pas l'outil électrique si son interrupteur ne permet pas de l'allumer ou de l'éteindre.** Tout outil électrique qui ne peut plus être commandé par son interrupteur est dangereux et doit être réparé.
- c. **Débranchez la prise du secteur et/ou retirez le bloc-batterie de l'outil électrique avant d'effectuer tout réglage, de changer un accessoire ou de ranger l'outil électrique.** Ces mesures de sécurité préventives réduisent le risque de démarrage accidentel de l'outil électrique.
- d. **Rangez les outils électriques non utilisés hors de portée des enfants et ne laissez aucune personne ne connaissant pas ces outils ou leurs instructions d'utilisation les faire fonctionner.** Les outils électriques peuvent être dangereux entre des mains inexpérimentées.
- e. **Entretenez vos outils électriques et leurs accessoires. Vérifiez que les pièces mobiles sont alignées correctement et qu'elles ne sont pas coincées. Vérifiez qu'aucune pièce n'est cassée et contrôlez l'absence de toute autre condition qui pourrait nuire au bon fonctionnement de l'outil. En cas de dommage, faites réparer l'outil électrique avant de l'utiliser.** De nombreux accidents sont provoqués par des outils électriques mal entretenus.
- f. **Maintenez les organes de coupe affûtés et propres.** Des organes de coupe bien entretenus et affûtés sont moins susceptibles de rester coincés et sont plus faciles à contrôler.
- g. **Utilisez l'outil électrique, les accessoires et les embouts d'outils conformément à ces instructions, en tenant compte des conditions de travail, ainsi que du travail à effectuer.** L'utilisation d'un outil électrique à des fins autres que celles pour lesquelles il a été prévu engendre des situations dangereuses.
- h. **Veillez à ce que les poignées et les surfaces de préhension restent sèches et propres, sans trace**

d'huile ou de graisse.

Des poignées glissantes et des surfaces grasses ne permettent pas de manipuler ou de contrôler l'outil de façon sûre en cas de situation inattendue.

5. Révision/Réparation

- a. **Faites réparer votre outil électrique par une personne qualifiée, n'utilisant que des pièces de rechange d'origine.**
Cela permet de garantir la sûreté de l'outil électrique.

Avertissements de sécurité supplémentaires liés aux outils électriques



Avertissement ! Instructions de sécurité supplémentaires concernant les ponceuses

- ◆ **Tenez l'outil électrique par ses surfaces de préhension isolées afin d'empêcher que la surface abrasive entre en contact avec le cordon de l'outil.** Le sectionnement d'un fil sous tensions peut mettre les parties métalliques exposées de l'outil sous tension et provoquer un choc électrique à l'utilisateur.
- ◆ **Utilisez des pinces ou tout autre moyen pratique pour fixer et soutenir l'ouvrage sur une plateforme stable.** Tenir l'ouvrage à la main ou contre votre corps le rend instable et peut conduire à une perte de contrôle.
- ◆ **Avertissement ! Tout contact ou inhalation de poussières pendant le ponçage peut présenter un danger pour la santé de l'opérateur et des personnes éventuellement présentes à proximité.** Portez un masque anti-poussière spécialement conçu pour vous protéger des poussières et des fumées et veillez à ce que les personnes se trouvant à l'intérieur de la zone de travail ou y pénétrant soient également protégées.
- ◆ **Éliminez complètement toutes les poussières après le ponçage.**
- ◆ **Faites spécialement attention lorsque vous poncez de la peinture pouvant être à base de plomb ou lorsque vous poncez des bois et des métaux pouvant produire de la poussière toxique :**
 - ◆ **Ne laissez pas les enfants ou les femmes enceintes entrer dans la zone de travail.**
 - ◆ **Ne mangez pas, ne buvez pas ou ne fumez pas dans la zone de travail.**
 - ◆ **Éliminez toutes les particules de poussière et autres débris de façon sûre.**
- ◆ **L'utilisation prévue est décrite dans ce manuel d'utilisation.**
L'utilisation d'un accessoire ou d'un équipement non spécifié ou l'utilisation de cet outil à d'autres fins que celles recommandées dans ce manuel d'utilisation présentent un risque de blessures et/ou de dommages matériels.

Sécurité des personnes

- ◆ Cet appareil n'est pas conçu pour être utilisé par des personnes (y compris des enfants) aux capacités physiques, sensorielles ou intellectuelles réduites ou sans expérience ni connaissances, à moins qu'elles ne soient surveillées ou qu'elles aient été formées sur la façon sûre d'utiliser l'appareil, par une personne responsable de leur sécurité.
- ◆ Ne laissez jamais les enfants sans surveillance afin d'éviter qu'ils ne jouent avec l'appareil.

Risques résiduels.

Certains risques résiduels autres que ceux mentionnés dans les avertissements sur la sécurité peuvent survenir en utilisant l'outil. Ces risques peuvent être provoqués par une utilisation incorrecte, prolongée, etc.

Malgré l'application des normes de sécurité pertinentes et la mise en œuvre de dispositifs de sécurité, certains risques résiduels ne peuvent pas être évités. Ils comprennent :

- ◆ Les blessures provoquées par le contact avec des pièces rotatives/mobiles.
- ◆ Les blessures provoquées pendant le remplacement de pièces, de lames ou d'accessoires.
- ◆ Les blessures dues à l'utilisation prolongée d'un outil. Lorsque vous utilisez un outil quel qu'il soit pendant de longues périodes, assurez-vous de faire des pauses régulières.
- ◆ La diminution de l'acuité auditive.
- ◆ Les risques pour la santé provoqués par l'inhalation des poussières générées pendant l'utilisation de votre outil (exemple : travail avec du bois, surtout le chêne, le hêtre et les panneaux en MDF)

Vibrations

La valeur des émissions de vibrations déclarée dans les caractéristiques techniques et la déclaration de conformité a été mesurée conformément à la méthode de test normalisée établie par la norme EN62841 et elle peut être utilisée pour comparer un outil à un autre. La valeur des émissions de vibrations déclarée peut aussi être utilisée pour une évaluation préliminaire à l'exposition.

Avertissement ! En fonction de la manière dont l'outil est utilisé, la valeur des émissions de vibrations réelles pendant l'utilisation de l'outil peut différer de la valeur déclarée. Le niveau des vibrations peut dépasser le niveau déclaré. Quand l'exposition aux vibrations est évaluée afin de déterminer les mesures de sécurité requises par la norme 2002/44/CE pour protéger les personnes utilisant régulièrement des outils électriques, cette estimation doit tenir compte des conditions réelles d'utilisation et de la façon dont l'outil est utilisé. Il faut également tenir compte de toutes les composantes du cycle de fonctionnement comme la durée pendant laquelle l'outil est arrêté et quand il fonctionne au

ralenti, ainsi que la durée du déclenchement.

Étiquettes apposées sur l'outil

Les symboles suivants figurent sur l'outil avec le code date :



Avertissement ! Afin de réduire le risque de blessures, l'utilisateur doit lire le manuel d'utilisation.

Sécurité électrique



Cet outil est doublement isolé et ne nécessite donc aucun fil de liaison à la terre. Assurez-vous toujours que l'alimentation électrique correspond à la tension mentionnée sur la plaque signalétique.

- ◆ Si le câble d'alimentation est endommagé, il doit être remplacé par le fabricant ou par un centre de réparation agréé BLACK+DECKER afin d'éviter tout accident.

Caractéristiques

Cet outil dispose de tout ou partie des éléments suivants.

1. Interrupteur Marche/Arrêt
2. Base du moteur
3. Semelle de ponçage excentrique
4. Grande semelle de ponçage de précision
5. Pointe de semelle de ponçage
6. Accessoire de précision
7. Collecteur de poussière

Assemblage

Avertissement ! Avant l'assemblage, assurez-vous que l'outil est éteint et débranché.

Retirer les semelles de ponçage (Fig. A, B)

- ◆ Afin de retirer la semelle de ponçage, retirez la vis de verrouillage (9) de la semelle de ponçage à l'aide de la clé Allen (8) fournie, comme illustré par la figure A.
- ◆ Tirez la semelle de ponçage hors de l'outil, comme illustré par la figure B.

Fixer la semelle de ponçage excentrique (Fig. C, C1)

- ◆ Tenez l'outil et la semelle de ponçage (3) pointant vers le haut, comme indiqué dans la figure C.
- ◆ Enfoncez la semelle de ponçage jusqu'à entendre le clic de mise en place.
- ◆ Réinstallez la vis de verrouillage (9) et fixez-la à l'aide de la clé Allen (8) fournie, comme illustré par la figure C.
- ◆ Utilisez un tournevis (17) (non fourni) pour bloquer la semelle de ponçage en place tout en serrant la vis de verrouillage (9), comme illustré par la figure C1.

Installer les feuilles abrasives (Fig. D)

- ◆ Tenez l'outil en orientant la semelle de ponçage (3) vers le haut.
- ◆ Placez la feuille de ponçage (11) sur la semelle de ponçage (3) en vous assurant d'aligner les trous de la feuille (le cas échéant) avec sur ceux de la semelle, comme illustré par la figure D.

Grande semelle de ponçage de précision

Grâce à cette semelle de ponçage, vous pouvez utiliser l'outil pour un ponçage de précision ou un ponçage d'égalisation.

Fixer la grande semelle de ponçage de précision (Fig. E, F, F1)

Pour un ponçage de précision, le bout pointu doit être orienté vers l'avant (Fig. E).

Pour les grandes surfaces, le bout pointu doit être orienté vers l'arrière (Fig. F).

- ◆ Fixez la semelle de ponçage comme décrit ci-dessus dans le paragraphe "Fixer la semelle de ponçage excentrique".
- ◆ Enfoncez la semelle de ponçage jusqu'à entendre le clic de mise en place.
- ◆ Réinstallez la vis de verrouillage (9) et fixez-la à l'aide de la clé Allen (8) fournie.
- ◆ Utilisez un tournevis (17) (non fourni) pour bloquer la semelle de ponçage en place tout en serrant la vis de verrouillage (9), comme illustré par la figure F1.

Mise en place des feuilles abrasives (figure G)

- ◆ Retirez les deux pointes en forme de losange (14) de la feuille de ponçage (12).
- ◆ Tenez l'outil en orientant la semelle de ponçage vers le haut.
- ◆ Placez la feuille de ponçage (12) sur la semelle de ponçage, en vous assurant d'aligner les trous de la feuille (le cas échéant) avec ceux de la semelle.

La pointe en losange (13) peut être retournée et réinstallée quand elle est usée.

- ◆ Lorsque l'avant de la pointe est usé, retirez-la de la feuille, retournez-la et repositionnez-la sur la semelle de ponçage.
- ◆ Lorsque la pointe est entièrement usée, retirez-la de la semelle de ponçage et réinstallez une nouvelle pointe en forme de losange (13).

Pointe de la semelle de ponçage (Fig. H)

Quand le support de pointe (5) est usé, il peut être remplacé. Vous pouvez vous procurer des pièces de rechange auprès de votre revendeur BLACK+DECKER.

- ◆ Retirez la vis (15).
- ◆ Remplacez la pièce usée.
- ◆ Installez et serrez la vis (15).

Accessoire de précision (Fig. C)

Grâce à l'accessoire de précision, vous pouvez effectuer un

ponçage de précision soigné.

- ◆ Retirez la vis (15).
- ◆ Retirez le porte-pointe losange (5) de la semelle de ponçage.
- ◆ Installez l'accessoire de précision (6) sur la semelle de ponçage.
- ◆ Installez et serrez la vis (15).
- ◆ Installez la feuille abrasive appropriée (16) sur l'accessoire de précision.

Utilisation

Avertissement ! Laissez l'outil fonctionner à son propre rythme. Ne le poussez pas au-delà de sa capacité.

Avertissement ! Ne couvrez pas les orifices de ventilation quand l'outil est en marche. Assurez-vous que la semelle de ponçage repose bien à plat sur l'ouvrage.

- ◆ Rangez l'outil en laissant une semelle en place.
- ◆ Éloignez vos mains de la zone de l'axe de l'outil.
- ◆ Ne laissez pas vos doigts sur la semelle pendant l'utilisation.

Mise en marche et extinction (Fig. J)

- ◆ Pour mettre l'outil en marche, placez l'interrupteur Marche/Arrêt (1) sur la position I.
- ◆ Pour éteindre l'outil, placez l'interrupteur Marche/Arrêt (1) sur la position O.


Vider le bac à poussière (Fig. K)

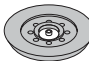

Vous devez vider le bac à poussière (7) toutes les dix minutes d'utilisation.

- ◆ Tirez le bac à poussière (7) vers l'arrière et hors de l'outil en le séparant du raccord (7a).
- ◆ Videz le bac dans un contenant adapté et remplacez-le sur l'outil.

Accessoires

Les performances de votre outil dépendent de l'accessoire utilisé. Les accessoires BLACK+DECKER sont élaborés selon des normes de qualité supérieures et ils sont conçus pour améliorer les performances de votre outil. L'utilisation de ces accessoires vous permet de tirer le meilleur de votre outil. Les accessoires fournis avec votre ponceuse varient en fonction du modèle acheté. Si vous avez besoin d'un accessoire mentionné dans la liste ci-dessous mais qui n'est pas fourni avec votre ponceuse, consultez notre site Internet www.blackanddecker.eu

Pièce	Description	Application
	Grande semelle de ponçage de précision (4).	Pour les surfaces moyennes à grandes. La grande semelle peut être utilisée pour poncer dans les coins et sur le bord de l'ouvrage.

	Semelle de ponçage excentrique (3).	Pour les grandes surfaces. La semelle de ponçage excentrique peut être utilisée pour les surfaces incurvées et pour les finitions de grande qualité.
	Accessoire de précision (6).	Pour les petites zones difficilement accessibles. L'accessoire de précision peut être utilisé pour poncer dans les coins et pour les ponçages légers.

Conseils pour une utilisation optimale

- ◆ Pour plus de confort, l'outil peut être utilisé à une ou deux mains (Fig. L, M, N). Ne placez pas vos mains sur les orifices de ventilation.
- ◆ N'exercez pas une trop grande pression sur l'outil.
- ◆ Vérifiez régulièrement l'état de la feuille abrasive. Remplacez-la si nécessaire.
- ◆ Poncez toujours dans le sens du grain du bois.
- ◆ Lorsque vous poncez de nouvelles couches de peinture avant d'en appliquer une autre, utilisez un abrasif extra fin.
- ◆ Pour les surfaces irrégulières ou pour retirer des couches de peinture, commencez avec un abrasif à gros grains. Sur d'autres surfaces, commencez avec un abrasif moyen. Dans les deux cas, changez graduellement pour un grain plus fin pour une finition homogène.
- ◆ Renseignez-vous auprès de votre revendeur pour avoir plus d'informations sur les accessoires disponibles.

Maintenance

Votre outil BLACK+DECKER a été conçu pour fonctionner pendant longtemps avec un minimum d'entretien. Le fonctionnement continu et satisfaisant de l'appareil dépend de son bon entretien et de son nettoyage régulier.

Avertissement ! Avant de procéder à un quelconque entretien sur l'outil, débranchez le chargeur.

- ◆ Nettoyez régulièrement les orifices d'aération de votre outil à l'aide d'une brosse souple ou d'un chiffon sec.
- ◆ Nettoyez régulièrement le bloc-moteur à l'aide d'un chiffon humide. N'utilisez pas de détergents abrasifs ou à base de solvants.

Remplacement de la prise secteur (RU et Irlande uniquement)

Si une nouvelle prise secteur doit être installée :

- ◆ Jetez l'ancienne prise de façon appropriée.
- ◆ Raccordez le fil marron à la borne de phase de la nouvelle prise.
- ◆ Raccordez le fil bleu à la borne du neutre.

Avertissement ! Aucun branchement ne doit être fait à la borne de terre. Suivez les instructions d'installation fournies avec les prises de bonne qualité. Fusible recommandé : 5 A.

Protection de l'environnement



Tri sélectif. Les produits et batteries marqués de ce symbole ne doivent pas être jetés avec les déchets ménagers.

Les produits et batteries contiennent des matières qui peuvent être récupérées et recyclées afin de réduire la demande en matières premières.

Veillez à recycler les produits électriques et les piles et batteries conformément aux prescriptions locales en vigueur.

Plus d'informations sont disponibles sur le site

www.2helpU.com

Caractéristiques techniques

BEW200		
Tension d'entrée	V_{CA}	230
Puissance absorbée	W	200
Vitesse à vide	min^{-1}	12000
Poids	kg	1,40 (avec la semelle de précision), 1,34 (avec la semelle excentrique)

Niveau de pression sonore selon la norme EN 62841 :

Pression sonore (L_{pA}) 85,5 dB(A), incertitude (K) 3 dB(A)

Puissance sonore (L_{wA}) 93,5 dB(A), incertitude (K) 3 dB(A)

Valeurs totales des vibrations (somme vectorielle triaxiale) selon la norme EN 62841 :

(a) 9,8 m/s², incertitude (K) 1,5 m/s²

Déclaration de conformité CE

CONSIGNES DE MACHINERIE



Ponceuse BEW200

Black & Decker confirme que les produits décrits dans les « Données techniques » sont conformes aux normes : 2006/42/EC, EN 62841-1:2015 + AC:2015 + A11:2022 , EN62841-2-4:2014

Ces produits sont conformes aux normes 2014/30/EC et 2011/65/EU. Pour plus de détails, veuillez contacter Black & Decker à l'adresse suivante ou reportez-vous au dos du manuel.

Le soussigné est responsable des données de la fiche technique et fait cette déclaration au nom de Black & Decker.

Patrick Diepenbach

Patrick Diepenbach
General Manager, Benelux
Black and Decker,
Egide Walschaertsstraat 14-18
2800 Mechelen, Belgique
23/09/2022

Garantie

Black & Decker est sûr de la qualité de ses produits et offre une garantie de 24 mois aux utilisateurs, à partir de la date d'achat. Cette garantie s'ajoute à vos droits légaux auxquels elle ne porte aucunement préjudice. Cette garantie est valable sur les territoires des États membres de l'Union européenne et de la Zone de libre-échange européenne et du Royaume-Uni. Pour prétendre à la garantie, la réclamation doit être conforme aux conditions générales de Black & Decker et vous devez fournir une preuve d'achat au vendeur ou au réparateur agréé. Les conditions générales de la garantie de 2 ans Black & Decker ainsi que l'adresse du réparateur agréé le plus proche sont disponibles sur le site Internet www.2helpU.com ou en contactant votre agence Black & Decker locale à l'adresse indiquée dans ce manuel.

Veuillez consulter notre site Internet www.blackanddecker.co.uk pour enregistrer votre nouveau produit Black & Decker et pour être tenu informé des nouveaux produits et offres spéciales.

Uso previsto

La levigatrice BLACK+DECKER BEW200 è stata progettata per levigare e lucidare superfici verniciate e in legno, metallo e plastica. Questo utensile è destinato esclusivamente all'uso privato.

Istruzioni di sicurezza

Avvertenze di sicurezza generali per gli elettrodomestici



Avvertenza! Leggere attentamente tutte le avvertenze, istruzioni, illustrazioni e specifiche fornite con l'elettrodomestico. L'inosservanza delle avvertenze e istruzioni elencate di seguito potrebbe dar luogo a scossa elettrica, incendi e/o lesioni gravi alle persone.

Conservare tutti gli avvertimenti e le istruzioni per consultazione successiva. Il termine "elettrodomestico" che ricorre in tutte le avvertenze seguenti si riferisce ad utensili elettrici con o senza filo.

1. Sicurezza nell'area di lavoro

- Mantenere pulita e bene illuminata l'area di lavoro.** Gli ambienti disordinati o scarsamente illuminati favoriscono gli incidenti.
- Evitare di usare gli elettrodomestici in ambienti esposti a rischio di esplosione, ad esempio in presenza di liquidi, gas o polveri infiammabili.** Gli elettrodomestici generano scintille che possono incendiare le polveri o i fumi.

- Tenere lontani bambini e altre persone presenti mentre si usa un elettrodomestico.** Eventuali distrazioni possono provocare la perdita di controllo dello stesso.
- Sicurezza elettrica**
 - Le spine elettriche degli elettrodomestici devono essere adatte alla presa. Non modificare la spina in alcun modo. Non utilizzare spine con adattatore con gli elettrodomestici dotati di messa a terra.** Per ridurre il rischio di scosse elettriche evitare di modificare le spine e utilizzare sempre le prese di corrente appropriate.
 - Evitare il contatto fisico con superfici collegate a terra, come tubi, radiatori, forni e frigoriferi.** Se il corpo dell'utilizzatore è collegato a terra, il rischio di scosse elettriche aumenta.
 - Non esporre gli elettrodomestici alla pioggia o all'umidità.** Se penetra dell'acqua all'interno dell'elettrodomestico, il rischio di scosse elettriche aumenta.
 - Non utilizzare il cavo di alimentazione in modo improprio. Non spostare, tirare o scollegare mai l'elettrodomestico tirandolo dal cavo. Tenere il cavo di alimentazione lontano da fonti di calore, olio, bordi taglienti o parti in movimento.** Se il cavo di alimentazione è danneggiato o impigliato, il rischio di scosse elettriche aumenta.
 - Se l'elettrodomestico viene utilizzato all'aperto, usare esclusivamente prolunghe omologate per l'impiego all'esterno.** L'uso di un cavo di alimentazione adatto ad ambienti esterni riduce il rischio di scosse elettriche.
 - Se non è possibile evitare di lavorare in una zona umida, usare una rete elettrica protetta da un interruttore differenziale (RCD).** L'uso di un interruttore differenziale riduce il rischio di scossa elettrica.
 - Sicurezza delle persone**
 - È importante concentrarsi su ciò che si sta facendo e maneggiare con giudizio l'elettrodomestico. Non utilizzare un elettrodomestico quando si è stanchi o sotto l'effetto di droghe, alcool o medicinali.** Un solo attimo di distrazione durante l'uso dell'elettrodomestico potrebbe provocare gravi lesioni personali.
 - Usare dispositivi di protezione individuale. Indossare sempre dispositivi di protezione per gli occhi.** L'uso di dispositivi di protezione, quali mascherine antipolvere, scarpe antinfortunistiche antiscivolo, elmetti o protezioni auricolari in condizioni opportune consente di ridurre le lesioni personali.
 - Impedire l'avviamento involontario. Accertarsi che l'interruttore di accensione/spegnimento sia nella posizione di spegnimento, prima di collegare l'elettrodomestico alla rete elettrica e/o alla batteria, di prenderlo in mano o di trasportarlo.** Per non esporsi al

rischio di incidenti, non trasportare l'elettrotensile tenendo le dita sull'interruttore di accensione e non collegarlo a una fonte di alimentazione elettrica con l'interruttore acceso.

- d. **Prima di accendere un elettrotensile, rimuovere gli eventuali utensili o chiavi di regolazione.** Un utensile di regolazione o una chiave inserito/a su una parte rotante dell'elettrotensile può provocare lesioni alle persone.
- e. **Non sbilanciarsi. Mantenere sempre un appoggio e un equilibrio adeguati.** In tal modo è possibile avere un migliore controllo dell'elettrotensile nelle situazioni impreviste.
- f. **Vestirsi in maniera opportuna. Non indossare abiti lenti o gioielli. Tenere i capelli, i vestiti e i guanti lontano dalle parti mobili.** Abiti larghi, gioielli o capelli lunghi possono impigliarsi nelle parti in movimento.
- g. **Se gli elettrotensili sono provvisti di attacchi per il collegamento di dispositivi di aspirazione o di raccolta delle polveri, assicurarsi che questi siano installati e utilizzati correttamente.** L'impiego di dispositivi per la raccolta delle polveri può ridurre i pericoli legati a queste ultime.
- h. **Non lasciare che la familiarità acquisita dall'uso frequente dell'elettrotensile induca a cedere alla tentazione di ignorare i principi di utilizzo sicuro degli stessi.** Un'azione imprudente potrebbe provocare lesioni gravi in una frazione di secondo.

4. Uso e cura dell'elettrotensile

- a. **Non sovraccaricare l'elettrotensile. Utilizzare l'elettrotensile adatto per il lavoro da eseguire.**
L'elettrotensile corretto funziona meglio e in modo più sicuro se viene utilizzato alla velocità per cui è stato progettato.
- b. **Non utilizzare l'elettrotensile se l'interruttore di accensione/spengimento è difettoso.** Qualsiasi elettrotensile che non possa essere controllato tramite l'interruttore è pericoloso e deve essere riparato.
- c. **Scollegare la spina dalla presa di corrente e/o la batteria dall'elettrotensile prima di regolarlo, sostituirne gli accessori o riporlo in magazzino.**
Queste misure di sicurezza preventive riducono il rischio di azionare accidentalmente l'elettrotensile.
- d. **Quando non vengono usati, gli elettrotensili devono essere custoditi fuori dalla portata dei bambini. Non consentire l'uso dell'elettrotensile a persone inesperte o che non abbiano letto le presenti istruzioni d'uso.**
Gli elettrotensili sono pericolosi in mano a persone inesperte.
- e. **Sottoporre gli elettrotensili e gli accessori a regolare manutenzione. Verificare che le parti mobili siano correttamente allineate e non inceppate, che non vi**

siano componenti rotti e che non sussistano altre condizioni che possono compromettere il funzionamento dell'elettrotensile. Se danneggiato, far riparare l'elettrotensile prima dell'uso. Molti incidenti sono provocati da elettrotensili non sottoposti a corretta manutenzione.

- f. **Mantenere affilati e puliti gli utensili da taglio.** La manutenzione corretta degli utensili da taglio con bordi affilati riduce le probabilità di inceppamento e ne facilita il controllo.
- g. **Utilizzare l'elettrotensile, gli accessori, le punte, ecc. in conformità alle presenti istruzioni, tenendo conto delle condizioni operative e del lavoro da eseguire.**
L'utilizzo dell'elettrotensile per impieghi diversi da quelli previsti può dare luogo a situazioni di pericolo.
- h. **Mantenere le impugnature e le superfici di presa asciutte, pulite e senza tracce di olio o grasso.**
Impugnature e superfici di presa scivolose non consentono di maneggiare e controllare in modo sicuro l'utensile nel caso di imprevisti.

5. Assistenza

- a. **Fare riparare l'elettrotensile esclusivamente da personale specializzato e solo utilizzando pezzi di ricambio originali.**
In questo modo sarà possibile mantenere la sicurezza dell'elettrotensile.

Ulteriori avvertenze di sicurezza riguardanti l'elettrotensile



Avvertenza! Ulteriori avvertenze di sicurezza per le levigatrici

- ◆ **Tenere l'elettrotensile per le apposite impugnature isolanti, siccome la base di levigatura potrebbe entrare in contatto con il suo stesso cavo.**
Il taglio di un filo sotto tensione mette sotto tensione le parti metalliche esposte dell'elettrotensile e potrebbe esporre l'operatore a una scossa elettrica.
- ◆ **Usare morse o altri metodi pratici per fissare e bloccare il pezzo da lavorare ad una piattaforma stabile.** Tenere il pezzo in lavorazione con le mani o contro il corpo non ne assicura la stabilità e potrebbe comportare la perdita di controllo.
- ◆ **Avvertenza! Il contatto o l'inalazione della polvere generata dalla levigatura potrebbe nuocere alla salute dell'operatore e delle eventuali altre persone presenti.** Indossare una mascherina antipolvere specifica per polveri e fumi e accertarsi che anche le persone presenti nell'area di lavoro o che vi entrano siano adeguatamente protette.
- ◆ **Dopo la levigatura, rimuovere tutta la polvere.**
- ◆ **Prestare molta attenzione quando si levigano superfici**

verniciate con prodotti che probabilmente contengono il piombo come componente di base oppure quando si levigano certi legni e metalli la cui polvere può essere tossica:

- ◆ Vietare l'accesso nell'area di lavoro a bambini o donne in gravidanza.
- ◆ Non mangiare, bere o fumare nell'area di lavoro.
- ◆ Smaltire polvere e rifiuti adottando le necessarie misure di sicurezza.
- ◆ L'uso previsto è indicato nel presente manuale di istruzioni.

Se questo elettroutensile viene usato con accessori o per usi diversi da quelli raccomandati nel presente manuale, si potrebbero verificare lesioni a persone e/o danni alle cose.

Sicurezza altrui

- ◆ Questo elettroutensile non è destinato all'uso da parte di persone (compresi i bambini) con capacità fisiche, sensoriali o mentali ridotte, o prive di esperienza e conoscenze, salvo che non siano sottoposte a sorveglianza o ricevano istruzioni riguardo all'uso dell'elettroutensile da parte di una persona responsabile della loro sicurezza.
- ◆ Controllare che i bambini non giochino con l'elettroutensile.

Rischi residui.

L'utilizzo dell'apparecchio può comportare rischi residui non necessariamente riportati nelle presenti avvertenze di sicurezza. Tali rischi possono sorgere a seguito di un uso prolungato o improprio, ecc.

Malgrado il rispetto delle norme di sicurezza pertinenti e l'implementazione di dispositivi di sicurezza, alcuni rischi residui non possono essere evitati. Sono inclusi:

- ◆ lesioni causate o subite a seguito del contatto con parti rotanti/in movimento;
- ◆ lesioni causate o subite durante la sostituzione di parti, lame o accessori;
- ◆ lesioni causate dall'impiego prolungato di un elettroutensile (quando si utilizza qualsiasi apparecchio per lunghi periodi, accertarsi di fare regolarmente delle pause);
- ◆ menomazioni uditive;
- ◆ rischi per la salute causati dall'aspirazione di polvere generata dall'utilizzo dell'elettroutensile (ad esempio, quando si lavora con il legno, in modo particolare quello di quercia, faggio o l'MDF).

Vibrazioni

I valori delle emissioni di vibrazioni dichiarati, indicati al paragrafo Dati tecnici e nella dichiarazione di conformità, sono stati misurati in base al metodo di prova standard previsto dalla normativa EN62841 e possono essere usati come

parametri di confronto tra due utensili. Il valore delle emissioni di vibrazioni dichiarato può anche essere usato come valutazione preliminare dell'esposizione.

Avvertenza! Il valore delle emissioni di vibrazioni durante l'impiego effettivo dell'elettroutensile può variare da quello dichiarato a seconda delle modalità d'uso. Il livello delle vibrazioni può aumentare oltre quello dichiarato.

Quando si valuta l'esposizione alle vibrazioni per determinare le misure di sicurezza richieste dalla normativa 2002/44/CE destinata alla protezione delle persone che utilizzano regolarmente elettroutensili per lo svolgimento delle proprie mansioni, è necessario prendere in considerazione le condizioni effettive di utilizzo e il modo in cui l'elettroutensile viene usato, oltre che tenere conto di tutte le componenti del ciclo operativo, vale a dire i periodi in cui l'elettroutensile rimane spento, quelli in cui è acceso ma fermo e quelli in cui viene effettivamente utilizzato.

Etichette sull'elettroutensile

Sull'elettroutensile sono presenti i seguenti simboli assieme al codice data:



Avvertenza! Per ridurre il rischio di lesioni alle persone, l'utilizzatore deve leggere il manuale d'istruzioni.

Sicurezza elettrica



Il doppio isolamento di cui è provvisto l'elettroutensile rende superfluo il filo di terra. Assicurarsi che la tensione della rete di alimentazione corrisponda al valore indicato sulla targhetta dei valori nominali.

- ◆ In caso di danneggiamento del cavo di alimentazione, farlo riparare dal produttore o presso un Centro di assistenza BLACK+DECKER autorizzato, in modo da evitare pericoli.

Caratteristiche

Questo elettroutensile presenta alcune o tutte le seguenti caratteristiche.

1. Interruttore di accensione/spengimento
2. Base motore
3. Base di levigatura roto-orbitale
4. Base di levigatura per particolari grandi
5. Punta base di levigatura
6. Accessorio a puntale per particolari
7. Contenitore polvere

Assemblaggio

Avvertenza! Prima di montare l'elettroutensile, assicurarsi che sia spento e scollegato dalla presa di corrente.

Distacco delle basi di levigatura (Figg. A e B)

- ◆ Per rimuovere la base di levigatura rimuovere la vite di bloccaggio (9) dalla base utilizzando la chiave a brugola (8) fornita in dotazione, come illustrato nella Fig. A.
- ◆ Estrarre la base di levigatura dall'elettrotensile come illustrato nella Fig. B.

Montaggio della base di levigatura roto-orbitale (Figg. C, C1)

- ◆ Tenere l'elettrotensile e la base di levigatura (3) rivolti verso l'alto come illustrato nella Fig. C.
- ◆ Premere sulla base di levigatura fino a quando scatta in sede.
- ◆ Sostituire la vite di bloccaggio (9) e serrarla con la chiave a brugola (8) in dotazione, come illustrato nella Fig. C.
- ◆ Per bloccare la base di levigatura in posizione utilizzare un cacciavite (17) (non fornito), serrando la vite di bloccaggio (9) come illustrato nella Fig. C1.

Fissaggio di un foglio di carta abrasiva (Fig. D)

- ◆ Tenere l'elettrotensile con la base di levigatura (3) rivolta verso l'alto.
- ◆ Posizionare il foglio di carta abrasiva (11) sulla base di levigatura (3), verificando che i fori eventualmente presenti sul foglio siano allineati a quelli della base, come illustrato nella Fig. D.

Base di levigatura per particolari grandi

Con questa base di levigatura è possibile utilizzare l'elettrotensile come levigatrice per particolari.

Montaggio della base di levigatura per particolari grandi (Figg. E, F, F1)

Per la levigatura di particolari, l'estremità appuntita deve essere rivolta in avanti (Fig. E).

Per la levigatura di grandi superfici, l'estremità appuntita deve essere rivolta verso la parte posteriore (Fig. F).

- ◆ Fissare la base di levigatura come descritto al paragrafo "Fissaggio della base di levigatura roto-orbitale".
- ◆ Premere sulla base di levigatura fino a quando scatta in sede.
- ◆ Sostituire la vite di bloccaggio (9) serrarla con la chiave a brugola (8) in dotazione.
- ◆ Per bloccare la base di levigatura in posizione utilizzare un cacciavite (17) (non fornito), serrando la vite di bloccaggio (9) come illustrato nella Fig. F1.

Montaggio dei fogli di carta abrasiva (Fig. G)

- ◆ Staccare le due punte di levigatura romboidali (14) dal foglio abrasivo (12).
- ◆ Tenere l'elettrotensile con la base di levigatura rivolta verso l'alto.
- ◆ Posizionare il foglio di carta abrasiva (12) sulla base di

levigatura, verificando che i fori eventualmente presenti sul foglio siano allineati a quelli della base.

La punta romboidale (13) può essere invertita e sostituita quando è usurata.

- ◆ Quando la parte anteriore della punta è consumata, staccarla dal foglio, girarla e fissarla di nuovo alla base.
- ◆ Quando tutta la punta è consumata, rimuoverla dalla base di levigatura e sostituirla con una punta romboidale nuova (13).

Punta della base di levigatura (Fig. H)

Il supporto della punta romboidale (5) può essere sostituito quando è usurato. Le parti di ricambio sono disponibili presso il proprio rivenditore BLACK+DECKER.

- ◆ Estrarre la vite (15).
- ◆ Sostituire la parte consumata.
- ◆ Inserire e serrare la vite (15).

Accessorio a puntale (Fig. I)

Utilizzare l'accessorio a puntale per eseguire una levigatura accurata dei particolari.

- ◆ Estrarre la vite (15).
- ◆ Rimuovere il supporto della punta romboidale (5) dalla base di levigatura.
- ◆ Applicare l'accessorio a puntale (6) sulla base di levigatura.
- ◆ Inserire e serrare la vite (15).
- ◆ Montare il foglio di carta abrasiva idoneo (16) sull'accessorio a puntale.

Utilizzo

Avvertenza! Lasciare che l'utensile funzioni al proprio ritmo. Non sovraccaricarlo.

Avvertenza! Non coprire le prese di ventilazione durante l'utilizzo dell'elettrotensile.

Accertarsi che la base di levigatura sia posizionata in orizzontale sul pezzo in lavorazione.

- ◆ Riporre l'elettrotensile con la base montata.
- ◆ Tenere le mani lontane dalla zona dell'alberino dell'elettrotensile.
- ◆ Non appoggiare le dita sulla base durante l'uso.

Accensione e spegnimento (Fig. J)

- ◆ Per accendere l'elettrotensile, regolare l'interruttore di accensione (1) sulla posizione I.
- ◆ Per spegnerlo, regolare l'interruttore di accensione (1) sulla posizione O.

Svuotamento del contenitore della polvere (Figg. J, K)




Svuotare il contenitore della polvere (7) dopo ogni dieci minuti di utilizzo.

- ◆ Tirare il contenitore della polvere (7) verso la parte posteriore ed estrarlo dalla porta di connessione (7a).

- ◆ Svuotare il contenitore della polvere in un recipiente idoneo e riposizionarlo sull'utensile.

Accessori

Le prestazioni dell'elettrotensile dipendono dall'accessorio usato. Gli accessori BLACK+DECKER sono stati fabbricati in base a standard qualitativi elevati e sono stati progettati per ottenere le migliori prestazioni dall'elettrotensile. Utilizzando questi accessori si otterrà il meglio dall'elettrotensile. Gli accessori forniti con la levigatrice dipendono dal modello acquistato. Se si desidera montare uno degli accessori elencati di seguito, ma non fornito con la levigatrice, visitare il nostro sito web all'indirizzo www.blackanddecker.eu.

Articolo	Descrizione	Funzione
	Base di levigatura per particolari grandi (4).	Per aree medio-grandi. La base di levigatura per particolari grandi può essere usata per levigare negli angoli e fino al bordo del pezzo.
	Base di levigatura roto-orbitale (3).	Per aree di grandi dimensioni. La base roto-orbitale può essere usata per le superfici curve e quando si desidera una finitura di qualità elevata.
	Puntale per particolari (6).	Per aree piccole e difficili da raggiungere. Il puntale per particolari può essere usato per la levigatura leggera o per levigare negli angoli.

Consigli per un utilizzo ottimale

- ◆ Per la massima comodità dell'utilizzatore, l'elettrotensile può essere azionato con una o due mani (Figg. L, M, N). Non appoggiare le mani sulle prese di ventilazione.
- ◆ Non esercitare una pressione eccessiva sull'elettrotensile.
- ◆ Verificare regolarmente lo stato del foglio di carta abrasiva. Se necessario, sostituirlo.
- ◆ Levigare sempre usando una carta abrasiva con una grana analoga a quella del legno.
- ◆ Quando si carteggiano strati di vernice nuova, adoperare carta con grana fine prima di applicare lo strato successivo di vernice.
- ◆ Sulle superfici rugose, o quando si rimuovono strati di vernice, iniziare a levigare con carta abrasiva a grana grossa. Su superfici di altro tipo, cominciare con una grana media. In entrambi i casi, per ottenere una rifinitura omogenea passare gradualmente a una grana sottile.
- ◆ Consultare il rivenditore per ulteriori informazioni sugli accessori disponibili.

Manutenzione

Questo elettrotensile BLACK+DECKER è stato progettato per funzionare a lungo con una manutenzione minima. Prestazioni sempre soddisfacenti dipendono da una cura appropriata e da una pulizia regolare.

Avvertenza! Prima di eseguire interventi di manutenzione sull'elettrotensile, scollegare il caricabatteria prima di pulirlo.

- ◆ Le prese di ventilazione dell'elettrotensile devono essere pulite regolarmente con un pennello morbido o un panno asciutto.
- ◆ Pulire regolarmente il vano del motore con un panno umido. Non usare materiali abrasivi o detergenti a base di solventi.

Sostituzione della spina (solo Regno Unito e Irlanda)

Se è necessario installare una nuova spina:

- ◆ smaltire in sicurezza quella vecchia;
- ◆ collegare il filo marrone al morsetto sotto tensione della nuova spina.
- ◆ collegare il filo blu al morsetto neutro.

Avvertenza! Non deve essere effettuato alcun collegamento al terminale di messa a terra. Seguire le istruzioni di montaggio fornite con le spine di buona qualità. Fusibile raccomandato: 5 A.

Protezione dell'ambiente



Raccolta differenziata. I prodotti e le batterie contrassegnati con questo simbolo non devono essere smaltiti con i rifiuti domestici normali.

Prodotti e batterie contengono materiali che possono essere recuperati o riciclati, riducendo la richiesta di materie prime. Riciclare i prodotti elettrici e le batterie attenendosi alle disposizioni locali. Ulteriori informazioni sono disponibili all'indirizzo web www.2helpU.com

Dati tecnici

BEW200		
Tensione in ingresso	V _{AC}	230
Potenza assorbita	W	200
Velocità a vuoto	min ⁻¹	12000
Peso	kg	1,40 (con base per levigatura di particolari), 1,34 (con base di levigatura roto-orbitale)

Livello di pressione sonora misurato in base alla norma EN 62841:

Pressione sonora (L_{pA}) 85,5 dB(A), incertezza (K) 3 dB(A)

Potenza acustica (L_{WA}) 93,5 dB(A), incertezza (K) 3 dB(A)

Valori totali di emissione di vibrazioni (somma vettoriale triassiale) in conformità alla norma EN 62841:

(a) 9.8 m/s²; incertezza (K) 1.5 m/s²

Dichiarazione di conformità CE

DIRETTIVA MACCHINE



Levigatrice BEW200

Black & Decker dichiara che i prodotti descritti al paragrafo "Dati tecnici" sono conformi alle seguenti normative: 2006/42/EC, EN 62841-1:2015 + AC:2015 +A11:2022 , EN62841-2-4:2014.

Questi prodotti sono conformi alla Direttiva 2014/30/UE e 2011/65/UE. Per maggiori informazioni contattare Black & Decker al seguente indirizzo oppure consultare l'ultima di copertina del manuale.

Il firmatario è responsabile della compilazione del documento tecnico e rende questa dichiarazione per conto di Black & Decker.

Patrick Diepenbach

Patrick Diepenbach
Direttore generale, Benelux
Black and Decker,
Egide Walschaertsstraat 14-18
2800 Mechelen, Belgio
23/09/2022

Garanzia

Black & Decker è certa della qualità dei propri prodotti e offre ai consumatori una garanzia di 24 mesi dalla data di acquisto. Il presente certificato di garanzia è complementare ai diritti legali e non li pregiudica in alcun modo. La garanzia è valida sui territori degli stati membri dell'Unione Europea o dell'EFTA (Associazione europea di libero scambio) e del Regno Unito.

Per attivare la garanzia, la richiesta di intervento e riparazione in garanzia deve essere effettuata in accordo con i Termini e condizioni Black & Decker e sarà necessario presentare la prova di acquisto al venditore o all'agente di riparazione autorizzato.

I Termini e condizioni della garanzia Black & Decker di 2 anni e la sede del tecnico riparatore autorizzato più vicino sono consultabili su Internet all'indirizzo www.2helpU.com, o contattando il proprio ufficio Black & Decker di zona all'indirizzo indicato in questo manuale.

Visitare il nostro sito www.blackanddecker.it per registrare il prodotto Black & Decker appena acquistato e ricevere gli aggiornamenti su nuovi prodotti e offerte speciali.

Bedoeld gebruik

De BLACK+DECKER schuurmachine BEW200 is ontworpen voor het schuren en polijsten van hout, metaal, kunststof en geverfde oppervlakken. Dit gereedschap is uitsluitend bestemd voor consumentengebruik.

Veiligheidsinstructies

Algemene veiligheidswaarschuwingen voor elektrisch gereedschap



Waarschuwing! Lees alle veiligheidswaarschuwingen, instructies, illustraties en specificaties die bij dit gereedschap zijn meegeleverd. Wanneer de volgende waarschuwingen en voorschriften niet in acht worden genomen, kan dit een elektrische schok, brand of ernstig letsel tot gevolg hebben.

Bewaar alle waarschuwingen en instructies als referentiemateriaal. De hierna gebruikte term 'elektrisch gereedschap' in alle waarschuwingen die hieronder worden vermeld, heeft betrekking op elektrisch gereedschap voor gebruik op netspanning (met netsnoer) of met een accu (snoerloos).

1. Veilige werkomgeving

- a. **Houd uw werkomgeving schoon en goed verlicht.** Op rommelige of donkere plekken zullen sneller ongelukken gebeuren.
- b. **Werk niet met elektrisch gereedschap in een omgeving met explosiegevaar, zoals in de nabijheid van brandbare vloeistoffen, gassen of stof.** Elektrisch gereedschap veroorzaakt vonken die het stof of de dampen kunnen doen ontbranden.
- c. **Houd kinderen en omstanders tijdens het gebruik van elektrisch gereedschap op afstand.** Als u wordt afgeleid, kunt u de controle over het gereedschap verliezen.

2. Elektrische veiligheid

- a. **De netstekker van het elektrisch gereedschap moet in het stopcontact passen. Pas de stekker nooit op enige manier aan. Gebruik geen adapterstekkers in combinatie met geaard elektrisch gereedschap.** Niet-aangepaste stekkers en passende contactdozen verminderen het risico van een elektrische schok.
- b. **Vermijd aanraking van het lichaam met geaarde oppervlakken, bijvoorbeeld buizen, verwarmingen, fornuizen en koelkasten.** Er bestaat een verhoogd risico van een elektrische schok als uw lichaam contact heeft met aarde.
- c. **Stel elektrisch gereedschap niet bloot aan regen en vocht.** Als er water in een elektrisch gereedschap dringt, verhoogt dit het risico van een elektrische schok.
- d. **Behandel het snoer voorzichtig. Gebruik het snoer**

- nooit om het elektrisch gereedschap te dragen of naar u toe te trekken, of de stekker uit het stopcontact te halen. Houd het snoer uit de buurt van warmtebronnen, olie, scherpe randen, of bewegende onderdelen.** Beschadigde snoeren of snoeren die in de war zijn geraakt, verhogen het risico van een elektrische schok.
- e. **Gebruik, wanneer u buitenshuis met elektrisch gereedschap werkt, alleen verlengsnoeren die zijn goedgekeurd voor gebruik buitenshuis.** Het gebruik van een verlengsnoer dat geschikt is voor binnen vermindert het risico van een elektrische schok.
- f. **Als u met elektrisch gereedschap werkt op een vochtige locatie, gebruik dan een aardlekschakelaar (RCD).** Het gebruik van een aardlekschakelaar vermindert het risico van een elektrische schok.
- 3. Persoonlijke veiligheid**
- a. **Blijf alert, let goed op wat u doet en ga met verstand te werk bij het gebruik van elektrisch gereedschap. Gebruik elektrisch gereedschap niet als u vermoeid bent of onder de invloed van drugs, alcohol of medicatie bent.** Een moment van onoplettendheid tijdens het werken met elektrisch gereedschap kan leiden tot ernstig persoonlijk letsel.
- b. **Draag persoonlijke beschermende uitrusting. Draag altijd oogbescherming.** Beschermende uitrusting, zoals een stofmasker, antislip veiligheidsschoenen, een helm, of gehoorbescherming, gebruikt in de juiste omstandigheden, zal het risico op persoonlijk letsel verminderen.
- c. **Voorkom per ongeluk inschakelen. Controleer dat de schakelaar in de uit-stand staat voordat u het gereedschap aansluit op het stopcontact en/of de accu plaatst en voordat u het gereedschap optilt of gaat dragen.**
Het dragen van elektrisch gereedschap met uw vinger op de schakelaar of het aanzetten van elektrisch gereedschap waarvan de schakelaar aan staat, kan leiden tot ongelukken.
- d. **Verwijder instelgereedschap of schroefsleutels voordat u het elektrisch gereedschap inschakelt.** Een steeksleutel of een inbussleutel in een draaiend deel van het elektrisch gereedschap kan tot persoonlijk letsel leiden.
- e. **Reik niet buiten uw macht. Blijf altijd stevig en in balans op de grond staan.** Dit geeft u betere controle over het elektrisch gereedschap in onverwachte situaties.
- f. **Draag geschikte kleding. Draag geen loszittende kleding of sieraden. Houd uw haar, kleding en handschoenen uit de buurt van bewegende onderdelen.** Loszittende kleding, sieraden of lang haar kunnen door bewegende delen worden gegrepen.
- g. **Als voorzieningen voor stofafzuiging of stofopvang kunnen worden gemonteerd, controleer dan dat deze zijn aangesloten en op de juiste wijze worden gebruikt.** Het gebruik van stofafzuiging kan aan stof gerelateerde gevaren verminderen.
- h. **Word niet gemakzuchtig doordat u door veelvuldig gebruik vertrouwd bent geraakt met het gereedschap, en verlies niet de veiligheidsbeginselen uit het oog.** Een onvoorzichtige handeling kan in een fractie van een seconde ernstig letsel tot gevolg hebben.
- 4. Gebruik en onderhoud van elektrisch gereedschap**
- a. **Overbelast het elektrisch gereedschap niet. Gebruik het juiste elektrisch gereedschap voor uw toepassing.** Met het juiste elektrisch gereedschap kunt u de werkzaamheden waarvoor het gereedschap is ontworpen, beter en veiliger uitvoeren.
- b. **Gebruik het elektrisch gereedschap niet als de schakelaar niet goed werkt.** Ieder elektrisch gereedschap dat niet met de schakelaar kan worden bediend, is gevaarlijk en moet worden gerepareerd.
- c. **Trek de stekker uit het stopcontact en/of de accu uit het elektrisch gereedschap voordat u het gereedschap instelt, accessoires wisselt of het elektrisch gereedschap opbergt.** Dergelijke preventieve veiligheidsmaatregelen verminderen het risico dat het elektrisch gereedschap per ongeluk wordt gestart.
- d. **Bewaar elektrisch gereedschap dat niet wordt gebruikt, buiten bereik van kinderen. Laat niet personen die er niet vertrouwd mee zijn en deze aanwijzingen niet hebben gelezen met het gereedschap werken.** Elektrisch gereedschap is gevaarlijk in handen van ongetrainde gebruikers.
- e. **Onderhoud elektrisch gereedschap en accessoires goed.** Controleer dat bewegende delen van het elektrisch gereedschap wel goed functioneren en niet klemmen, en dat er niet onderdelen zodanig zijn gebroken of beschadigd dat de werking van het gereedschap nadelig wordt beïnvloed. Laat het gereedschap voor gebruik repareren als het beschadigd is. Veel ongelukken worden veroorzaakt door slecht onderhouden elektrisch gereedschap.
- f. **Houd zaag- en snijgereedschap scherp en schoon.** Goed onderhouden zaaggereedschap met scherpe snijvlakken loopt minder snel vast en is gemakkelijker onder controle te houden.
- g. **Gebruik elektrisch gereedschap, accessoires, zaagjes en boortjes, enz., volgens deze aanwijzingen. Let daarbij op de arbeidsomstandigheden en de uit te voeren werkzaamheden.** Gebruik van het elektrisch

gereedschap voor werkzaamheden die anders zijn dan bedoeld, kan leiden tot een gevaarlijke situatie.

h. Houd de handgrepen droog, schoon en vrij van olie en vet.

Gladde handgrepen en hellende oppervlakken maken het moeilijk het gereedschap veilig te hanteren en onder controle te houden in onverwachte situaties.

5. Service

a. Laat het gereedschap alleen repareren door gekwalificeerd en vakkundig personeel en alleen met originele vervangingsonderdelen.

De veiligheid van het gereedschap blijft dan gewaarborgd.

Aanvullende veiligheidswaarschuwingen voor elektrisch gereedschap



Waarschuwing! Aanvullende veiligheidswaarschuwingen voor schuurmachines

- ◆ **Houd het elektrisch gereedschap vast bij de geïsoleerde handgrepen, omdat het schuuroppervlak in contact kan komen met het snoer.** Als een draad onder spanning wordt geraakt, komen onbedekte metalen onderdelen van het gereedschap onder spanning te staan en kunt u een elektrische schok krijgen.
- ◆ **Zet het werkstuk met klemmen of op een andere praktische manier vast en ondersteun het werkstuk op een stabiele ondergrond.** Wanneer u het werkstuk vasthoudt met de hand of het tegen uw lichaam gedrukt houdt, is het instabiel en kunt u de controle verliezen.
- ◆ **Waarschuwing! Contact met of inademing van het stof dat bij het schuren vrijkomt, kan de gezondheid van de gebruiker en omstanders schaden.** Draag een stofmasker dat speciaal is ontworpen ter bescherming tegen stof en dampen, en zorg ervoor dat andere personen op de werkplek ook zijn beschermd.
- ◆ **Verwijder zorgvuldig alle stof na het schuren.**
- ◆ **Neem speciale maatregelen bij het schuren van verf die mogelijk een loodbasis heeft of bij het schuren van bepaalde hout- en metaalsoorten die mogelijk giftige stoffen produceren:**
 - ◆ **Laat kinderen of zwangere vrouwen niet toe tot de werkplek.**
 - ◆ **Eet, drink of rook niet op de werkplek.**
 - ◆ **Verwijder stofdeeltjes en ander afval op veilige en verantwoorde wijze.**
- ◆ **Het bedoeld gebruik wordt beschreven in deze gebruiksaanwijzing.**

Het gebruik van andere accessoires of hulpstukken of uitvoering van andere handelingen met dit gereedschap dan die in deze instructiehandleiding worden aanbevolen, kan leiden tot persoonlijk letsel en/of materiële schade.

Veiligheid van anderen

- ◆ Het is niet de bedoeling dat deze machine wordt gebruikt door personen (waaronder kinderen) met verminderde fysieke, zintuiglijke of psychische vermogens, of met een gebrek aan ervaring en kennis, tenzij onder toezicht van of met aanwijzingen over het gebruik van de machine door een persoon die verantwoordelijk is voor hun veiligheid.
- ◆ Houd toezicht op kinderen zodat zij niet met het apparaat kunnen spelen.

Overige risico's.

Er kunnen zich bij het gebruik van dit gereedschap nog meer risico's voordoen, die mogelijk niet in de bijgesloten veiligheidswaarschuwingen worden beschreven. Deze risico's kunnen zich voordoen door onoordeelkundig gebruik, langdurig gebruik, enz.

Zelfs wanneer de veiligheidsvoorschriften in acht worden genomen en de veiligheidsvoorzieningen worden gebruikt, kunnen bepaalde risico's niet worden uitgesloten. Dit zijn onder meer:

- ◆ Verwondingen die worden veroorzaakt door het aanraken van draaiende of bewegende onderdelen.
- ◆ Verwondingen die worden veroorzaakt bij het vervangen van onderdelen, zaagbladen of accessoires.
- ◆ Verwondingen die worden veroorzaakt door langdurig gebruik van gereedschap. Wanneer u langere periodes met gereedschap werkt, kunt u het beste regelmatig een pauze nemen.
- ◆ Gehoorbeschadiging.
- ◆ Gezondheidsrisico's door het inademen van stof dat vrijkomt tijdens het gebruik van uw gereedschap (bijvoorbeeld: het werken met hout, met name eiken, beuken en MDF).

Trillingen

De aangegeven waarden voor trillingsemissie in de technische gegevens en de conformiteitsverklaring, zijn gemeten volgens een standaardtestmethode die door EN62841 wordt verstrekt en door middel waarvan het ene gereedschap met het andere wordt vergeleken. De aangegeven waarde voor trillingsemissie kan ook worden gebruikt bij een voorlopige bepaling van blootstelling.

Waarschuwing! De waarde voor trillingsemissie tijdens het werkelijke gebruik van het elektrisch gereedschap kan verschillen van de aangegeven waarde afhankelijk van de manieren waarop het gereedschap wordt gebruikt. Het trillingsniveau kan toenemen tot boven het aangegeven niveau.

Bij beoordeling van de blootstelling aan trillingen met het doel vast te stellen welke veiligheidsmaatregelen 2002/44/EG vereist ter bescherming van personen die tijdens hun werk regelmatig elektrisch gereedschap gebruiken, moet bij een inschatting van de blootstelling aan trillingen rekening worden

gehouden met de werkelijke gebruiksomstandigheden en de manier waarop het gereedschap wordt gebruikt. Daarbij moet ook rekening worden gehouden met alle onderdelen van de bedrijfscyclus, zoals wanneer het gereedschap wordt uitgeschakeld en wanneer het gereedschap stationair loopt en ook de aanlooptijd.

Etiketten op het gereedschap

Behalve van de datumcode is het gereedschap voorzien van de volgende symbolen:



Waarschuwing! De gebruiker moet de instructiehandleiding lezen zodat het risico van letsel wordt beperkt.

Elektrische veiligheid



Dit gereedschap is dubbel geïsoleerd, daarom is een aardeaansluiting niet vereist. Controleer altijd dat de stroomvoorziening overeenkomt met de voltage op het typeplaatje.

- ◆ Als het netsnoer is beschadigd, moet het door de fabrikant of door een geautoriseerd BLACK+DECKER-servicecentrum worden vervangen, zodat gevaarlijke situaties worden voorkomen.

Functies

Dit gereedschap is voorzien van enkele of alle van de volgende functies.

1. Aan/Uit-schakelaar
2. Motorplaat
3. Excentrische schuurzool
4. Grove schuurzool
5. Punt van schuurzool
6. Fijn vingehulpstuk
7. Stofcontainer

Montage

Waarschuwing! Controleer voor aanvang van de montage dat het apparaat is uitgeschakeld en de netstekker uit het stopcontact is getrokken.

Schuurzolen verwijderen (afb. A, B)

- ◆ U kunt de schuurzool verwijderen door de vergrendelingsschroef (9) met de inbussleutel (8) die is meegeleverd, los te maken, zoals wordt getoond in afbeelding A.
- ◆ Trek de schuurzool van het gereedschap, zoals wordt getoond in afbeelding B.

De excentrische schuurzool bevestigen (fig. C, C1)

- ◆ Houd het gereedschap en de schuurzool (3) naar boven gericht vast, zoals wordt getoond in afbeelding C.

- ◆ Druk op de schuurzool totdat u deze op z'n plaats hoort klikken.

- ◆ Plaats de vergrendelingsschroef (9) weer en zet de schroef vast met de inbussleutel (8) die is meegeleverd, zoals wordt getoond in afbeelding C.

- ◆ Vergrendel met een schroevendraaier (17) (niet meegeleverd) de schuurzool op z'n plaats, terwijl u de vergrendelingsschroef (9) vastzet, zoals wordt getoond in afbeelding C1.

Schuurpapier plaatsen (Afb. D)

- ◆ Houd het gereedschap vast met de schuurzool (3) naar boven gericht.
- ◆ Plaats het vel schuurpapier (11) op de schuurzool (3) en zorg er daarbij voor dat de gaten in het papier (wanneer die er zijn) aansluiten op de gaten in de zool.

Grove schuurzool

Met deze schuurzool kunt u het gereedschap gebruiken als schuurmachine voor het fijne werk of voor het schuren van loodrechte hoeken.

De grove schuurzool bevestigen (afb. E, F, F1)

Voor fijn schuurwerk moet het puntige uiteinde naar voren wijzen (afb. E).

Voor het schuren van grote oppervlakken moet het puntige uiteinde naar achteren wijzen (afb. F).

- ◆ Bevestig de schuurzool zoals hierboven wordt beschreven onder "De excentrische schuurzool bevestigen".
- ◆ Druk op de schuurzool totdat u deze op z'n plaats hoort klikken.
- ◆ Plaats de vergrendelingsschroef (9) weer en zet de schroef vast met de inbussleutel (8) die is meegeleverd.
- ◆ Vergrendel met een schroevendraaier (17) (niet meegeleverd) de schuurzool op z'n plaats, terwijl u de vergrendelingsschroef (9) vastzet, zoals wordt getoond in afbeelding F1.

Schuurpapier plaatsen (afb. G)

- ◆ Maak de twee ruitvormige punten (14) van het vel schuurpapier (12) los.
- ◆ Houd het gereedschap vast met de schuurzool naar boven gericht.
- ◆ Plaats het vel schuurpapier (12) op de schuurzool en zorg er daarbij voor dat de gaten in het papier (wanneer deze er zijn) aansluiten op de gaten in de zool.

De ruitvormige punt (13) kan worden omgedraaid en worden vervangen wanneer deze is versleten.

- ◆ Wanneer het voorste gedeelte van de punt is versleten, verwijder dan de punt van het papier, draai het vel om en druk het weer tegen de schuurzool.
- ◆ Verwijder, wanneer de hele punt is versleten, deze van de schuurzool en plaats een nieuwe ruitvormige punt (13).

Punt van de schuurzool (afb. H)

Wanneer de ruitvormige punthouder (5) is versleten, kan deze worden vervangen. Reserveonderdelen zijn verkrijgbaar via uw BLACK+DECKER leverancier.

- ◆ Verwijder de schroef (15).
- ◆ Vervang versleten onderdelen.
- ◆ Plaats de schroef weer en draai de schroef (15) vast.

Hulpstuk voor detailwerk (afb. I)

Het hulpstuk voor detailwerk wordt gebruikt voor het fijne schuurwerk.

- ◆ Verwijder de schroef (15).
- ◆ Verwijder de ruitvormige punthouder (5) van de schuurzool.
- ◆ Plaats het hulpstuk (6) op de schuurzool.
- ◆ Plaats de schroef weer en draai de schroef (15) vast.
- ◆ Plaats het gewenste schuurpapier (16) op het hulpstuk.

Gebruik van het apparaat

Waarschuwing! Laat het gereedschap op z'n eigen snelheid werken. Overbelast het gereedschap niet.

Waarschuwing! Bedek tijdens het gebruik van het gereedschap de ventilatieopeningen niet. Zorg ervoor dat de schuurzool vlak op het werkstuk rust.

- ◆ Berg het gereedschap op met een bevestigde zool.
- ◆ Blijf met uw handen uit de buurt van de as van het gereedschap.
- ◆ Leg tijdens het gebruik uw vingers niet op de zool.

In- en uitschakelen (afb. J)

- ◆ Schakel het gereedschap in door de aan/uit-schakelaar (1) in de stand **Ite** zetten.
- ◆ Schakel het gereedschap uit door de aan/uit-schakelaar (1) in de stand **Ote** zetten.

De stofcontainer leegmaken (Afb. K)

De stofcontainer (7) moet na elke tien minuten gebruik worden geleegd.


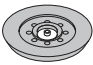

- ◆ Trek de stofcontainer (7) naar achteren en uit het gereedschap, weg van de aansluitpoort (7a).
- ◆ Schud de container leeg in een geschikte afvalbak en zet de container weer op het gereedschap.

Accessoires

De prestaties van het gereedschap zijn afhankelijk van de gebruikte accessoires. Accessoires van BLACK+DECKER zijn ontworpen om aan hoge kwaliteitsnormen te voldoen en de prestaties van uw gereedschap te verhogen. Door deze accessoires te gebruiken kunt u uw gereedschap nog beter laten presteren.

De accessoires die worden geleverd bij uw schuurmachine verschillen per model. Als u een accessoire nodig hebt dat hieronder wordt vermeld maar dat niet bij uw schuurmachine is geleverd,

bezoek dan onze website op www.blackanddecker.eu.

Artikel	Beschrijving	Doel
	Grove schuurzool (4).	Voor middelgrote tot grote oppervlakken. De grove schuurzool kan worden gebruikt voor het schuren in hoeken en tot de rand van het werkstuk.
	Schuurzool voor vrije baan (3).	Voor grote oppervlakken. Deze schuurzool kan worden gebruikt voor bolle oppervlakken en wanneer een gladde afwerking vereist is.
	Fijn vingerhulpstuk (6).	Voor kleine, moeilijk bereikbare oppervlakken. Het hulpstuk voor detailwerk kan worden gebruikt voor licht schuurwerk en voor het schuren in hoeken.

Tips voor optimaal gebruik

- ◆ Voor meer gebruiksgemak kan het gereedschap zowel met één als met twee handen worden gebruikt (afb. L, M, N). Plaats niet uw handen op de ventilatieopeningen.
- ◆ Oefen niet te veel druk uit op het gereedschap.
- ◆ Controleer regelmatig de staat van het schuurpapier. Vervang het wanneer dat nodig is.
- ◆ Schuur altijd in de richting van de houtnerf.
- ◆ Schuur een nieuwe verflaag met een extra fijne korrel voordat u een volgende verflaag aanbrengt.
- ◆ Begin op zeer oneffen oppervlakken of bij het verwijderen van verflagen met een grove korrel. Begin op andere oppervlakken met middelgrof schuurpapier. Ga in beide gevallen geleidelijk over op een fijne korrel voor een gladde afwerking.
- ◆ Vraag uw detailhandel informatie over de verkrijgbare accessoires.

Onderhoud

Uw BLACK+DECKER-gereedschap is ontworpen om gedurende langere periode te functioneren met een minimum aan onderhoud. Het continu naar tevredenheid functioneren hangt af van de juiste zorg voor het gereedschap en regelmatig schoonmaken.

Waarschuwing! Trek voordat u onderhoud aan het gereedschap uitvoert, of deze reinigt, de stekker van de lader uit het stopcontact.

- ◆ Maak de ventilatieopeningen van uw gereedschap regelmatig schoon met een zachte borstel of een droge doek.
- ◆ Reinig de behuizing van de motor regelmatig met een vochtige doek. Gebruik niet een schurend schoonmaakmiddel of een schoonmaakmiddel op basis van een oplosmiddel.

Netstekker vervangen (alleen VK en Ierland)

Als er een nieuwe netstekker moet worden gemonteerd:

- ◆ Gooi de oude stekker op verantwoorde wijze weg.
- ◆ Sluit de bruine draad aan op de spanningvoerende pool in de nieuwe stekker.
- ◆ Sluit de blauwe draad op de niet-spanningvoerende pool.

Waarschuwing! Er moet geen verbinding tot stand worden gebracht met de aardeaansluiting. Volg de montage-instructies die bij stekkers van goede kwaliteit worden geleverd. Aanbevolen zekering: 5 A.

Het milieu beschermen



Gescheiden afvalinzameling. Producten en accu's waarop dit symbool is aangebracht, mogen niet bij het normale huishoudafval worden weggegooid.

Producten en accu's bevatten materialen die kunnen worden teruggewonnen of gerecycled en dat doet de vraag naar grondstoffen afnemen.

Recycle elektrische producten en accu's volgens de ter plaatse geldende bepalingen. Nadere informatie is beschikbaar op

www.2helpU.com

Technische gegevens

BEW200		
Ingangsspanning	V_{AC}	230
Vermogen	W	200
Snelheid onbelast	min^{-1}	12000
Gewicht	kg	1,40 (met zowel voor detailwerk), 1,34 (met ROS-zool)

Geluidsrukniveau, volgens EN 62841:

Geluidsdruk (L_{pA}) 85,5 dB(A), meetonzekerheid (K) 3 dB(A)

Geluidsvermogen (L_{wA}) 93,5 dB(A), meetonzekerheid (K) 3 dB(A)

Totale trillingswaarden (som triaxvector) volgens EN 62841:

(a) 9,8 m/s², onzekerheid (K) 1,5 m/s²

EG conformiteitsverklaring

RICHTLIJN VOOR MACHINES



BEW200 Schuurmachine

Black & Decker verklaart dat deze producten, die zijn beschreven bij 'Technische gegevens', voldoen aan: 2006/42/EG, EN 62841-1:2015 + AC:2015 +A11:2022, EN62841-2-4:2014

Deze producten voldoen tevens aan richtlijn 2014/30/EG en 2011/65/EU. Neem voor meer informatie contact op met Black & Decker op het volgende adres of raadpleeg de achterzijde van de handleiding.

Ondergetekende is verantwoordelijk voor de compilatie van het technische bestand en geeft deze verklaring namens

Patrick Diepenbach

Patrick Diepenbach
General Manager, Benelux
Black and Decker,
Egide Walschaertsstraat 14-18
2800 Mechelen, België
23/09/2022

Garantie

Black & Decker heeft vertrouwen in zijn producten en biedt consumenten een garantie van 24 maanden vanaf de aankoopdatum. Deze garantie vormt een aanvulling op uw wettelijke rechten en beperken deze niet. De garantie is geldig binnen het grondgebied van de Lidstaten van de Europese Unie en de Europese Vrijhandelszone het Verenigd Koninkrijk. Voor een garantie-aanspraak moet uw aanspraak in overeenstemming zijn met de Voorwaarden en Condities van Black & Decker en moet u een bewijs van aankoop overleggen aan de verkoper of aan een geautoriseerde reparatiemonteur.

Voorwaarden en condities van de 2-jarige garantie van Black & Decker en het adres van de vestiging van het geautoriseerde reparatiecentrum bij u in de buurt, kunt u vinden op internet op www.2helpU.com, of door contact op te nemen met het Black & Decker-kantoor ter plaatse, op het adres dat in deze handleiding wordt vermeld. Bezoek onze website www.blackanddecker.nl, waar u uw nieuwe Black & Decker-product kunt registreren en het laatste nieuws vindt over nieuwe producten en speciale aanbiedingen.

Uso previsto

Su lijadora BLACK+DECKER BEW200 ha sido diseñada para lijar y pulir madera, metales, plástico y superficies pintadas. Esta herramienta ha sido concebida únicamente para uso doméstico.

Instrucciones de seguridad

Advertencias de seguridad generales para herramientas eléctricas



¡Advertencia! Lea todas las advertencias de seguridad, instrucciones, ilustraciones y especificaciones suministradas con esta herramienta eléctrica. El incumplimiento de las advertencias e instrucciones indicadas a continuación puede provocar una descarga eléctrica, un incendio y/o lesiones graves.

Guarde todas las advertencias e instrucciones para futuras consultas. El término "herramienta eléctrica" empleado en las advertencias a continuación hace referencia a la herramienta eléctrica con alimentación de red (con cable) o alimentada por batería (sin cable).

1. **Seguridad del área de trabajo**
 - a. **Mantenga limpia y bien iluminada el área de trabajo.** Las áreas en desorden u oscuras pueden provocar accidentes.
 - b. **No utilice herramientas eléctricas en entornos con peligro de explosión, como aquellos en los que haya líquidos, gases o polvos inflamables.** Las herramientas eléctricas originan chispas que pueden inflamar el polvo o los gases.
 - c. **Mantenga alejados a los niños y otras personas del área de trabajo al emplear la herramienta eléctrica.** Las distracciones pueden provocar la pérdida del control de la herramienta.
2. **Seguridad eléctrica**
 - a. **El enchufe de la herramienta eléctrica debe corresponder a la toma de corriente. No modifique nunca el enchufe de ninguna forma. No utilice ningún enchufe adaptador con las herramientas eléctricas conectadas a tierra.** Los enchufes no modificados y las tomas de corriente compatibles reducen el riesgo de descarga eléctrica.
 - b. **Evite que su cuerpo toque partes conectadas o puestas a tierra tales como tuberías, radiadores, cocinas y refrigeradores.** Existe un mayor riesgo de descarga eléctrica si su propio cuerpo está conectado a tierra.
 - c. **No exponga las herramientas eléctricas a la lluvia y a la humedad.** La entrada de agua en una herramienta eléctrica aumenta el riesgo de descarga eléctrica.
 - d. **Cuide el cable de alimentación. No use nunca el cable para transportar, tirar de la herramienta eléctrica o desenchufarla. Mantenga el cable alejado del calor, aceite, bordes afilados y piezas en movimiento.** Los cables dañados o enredados aumentan el riesgo de descarga eléctrica.
 - e. **Al trabajar con la herramienta eléctrica en la intemperie utilice solamente cables de prolongación homologados para su uso en exteriores.** La utilización de un cable adecuado para el uso en exteriores reduce el riesgo de descarga eléctrica.
 - f. **Si la utilización de una herramienta eléctrica en un lugar húmedo es inevitable, utilice una fuente protegida con un dispositivo diferencial residual (DDR).** El uso de un dispositivo diferencial residual reduce el riesgo de descarga eléctrica.
3. **Seguridad personal**
 - a. **Esté atento a lo que hace y emplee la herramienta eléctrica con prudencia. No maneje una herramienta eléctrica cuando esté cansado o bajo los efectos de drogas, medicamentos o alcohol.** Un momento de falta de atención cuando se manejan las herramientas eléctricas puede ocasionar lesiones personales graves.
 - b. **Utilice un equipo de protección personal. Utilice siempre protección ocular.** El uso del equipo protector como mascarillas antipolvo, calzado antideslizante, casco o protección auditiva para condiciones apropiadas reducirá las lesiones personales.
 - c. **Impida que la herramienta se ponga en marcha accidentalmente. Asegúrese de que el interruptor se encuentre en la posición de apagado antes de conectar la herramienta a la fuente de alimentación o a la batería, o de coger o transportar la herramienta.** Transportar herramientas eléctricas con el dedo puesto en el interruptor o herramientas eléctricas activadoras que tengan el interruptor encendido puede provocar accidentes.
 - d. **Retire las herramientas de ajuste o llaves fijas antes de encender la herramienta eléctrica.** Dejar una llave inglesa u otra llave puesta en una pieza en movimiento de la herramienta eléctrica puede ocasionar lesiones personales.
 - e. **Sea precavido. Mantenga un equilibrio adecuado y la estabilidad constantemente.** Esto permite un mejor control de la herramienta eléctrica en situaciones inesperadas.
 - f. **Lleve puesta una vestimenta de trabajo adecuada. No se ponga ropa suelta o joyas. Mantenga el cabello, la ropa y los guantes alejados de las piezas en movimiento.** La ropa suelta, las joyas y el pelo largo pueden quedar atrapados en las piezas en movimiento.
 - g. **Siempre que sea posible utilizar unos equipos de**

aspiración o captación de polvo, asegúrese de que estén montados y de se utilicen correctamente. El uso de equipo de recogida de polvo puede reducir los riesgos relacionados con el polvo.

- h. Evite que la familiaridad adquirida con el uso frecuente de herramientas le haga confiarse demasiado e ignorar las normas de seguridad de las mismas.** Un descuido puede causar lesiones graves en una fracción de segundo.

4. Uso y cuidado de herramientas eléctricas

- a. No sobrecargue la herramienta eléctrica. Use la herramienta eléctrica correcta para su trabajo.** La herramienta eléctrica correcta funcionará mejor y con mayor seguridad si se utiliza de acuerdo con sus características técnicas.
- b. No utilice la herramienta eléctrica si no se puede encender y apagar con el interruptor.** Toda herramienta eléctrica que no pueda controlarse con el interruptor es peligrosa y debe ser reparada.
- c. Desconecte el enchufe de la herramienta eléctrica de la fuente de alimentación y/o la batería antes de realizar cualquier ajuste, cambiar accesorios o guardar la herramienta.** Dichas medidas de seguridad preventivas reducen el riesgo de poner en marcha accidentalmente la herramienta eléctrica.
- d. Guarde las herramientas eléctricas fuera del alcance de los niños y no permita que la utilicen las personas no familiarizadas con su uso o con estas instrucciones.**

Las herramientas eléctricas son peligrosas en manos de personas no capacitadas.

- e. Realice el mantenimiento de sus herramientas eléctricas y accesorios.** Compruebe que las piezas móviles no estén desalineadas ni atascadas, que no haya piezas rotas y cualquier otra condición que pudiera afectar al funcionamiento de la herramienta eléctrica. Si la herramienta eléctrica está dañada, llévela para que sea reparada antes de utilizarla. Se ocasionan muchos accidentes por el mal mantenimiento de las herramientas eléctricas.
- f. Mantenga las herramientas de corte limpias y afiladas.** Hay menos probabilidad de que las herramientas de cortar con bordes afilados se bloqueen, y son más fáciles de controlar.
- g. Utilice la herramienta eléctrica, los accesorios, los útiles de la herramienta, etc. de acuerdo con estas instrucciones, y tenga en cuenta las condiciones de trabajo y la tarea que va a realizar.** El uso de la herramienta eléctrica para operaciones que no sean las previstas puede ocasionar una situación peligrosa.
- h. Mantenga las empuñaduras y superficies de agarre**

secas, limpias y libres de aceite y grasa.

Las empuñaduras resbalosas y las superficies engrasadas impiden aferrar y controlar la herramienta en situaciones imprevistas.

5. Reparaciones

- a. Esta herramienta eléctrica solo la puede reparar personal técnico autorizado que emplee exclusivamente piezas de repuesto originales.** Así se asegurará que se mantenga la seguridad de la herramienta eléctrica.

Advertencias de seguridad adicionales para herramientas eléctricas



¡Advertencia! Advertencias de seguridad adicionales para lijadoras

- ◆ **Sostenga la herramienta eléctrica por las partes de agarre aisladas pues la superficie de lijado puede entrar en contacto con el cable de la herramienta.** Cortar un cable con tensión puede transmitir dicha tensión a las partes metálicas expuestas de la herramienta eléctrica y producir una descarga eléctrica al operador.
- ◆ **Utilice fijaciones o cualquier otro método para fijar y apoyar la pieza de trabajo en una plataforma estable.** Si sostiene la pieza de trabajo con las manos o con su cuerpo, esta estará inestable y podrá hacer que usted pierda el control.
- ◆ **¡Advertencia! El contacto o la inhalación del polvo procedente de las aplicaciones de la lijadora puede suponer un peligro para la salud del usuario y de cualquier otra persona que se encuentre a su alrededor.** Utilice una mascarilla antipolvo diseñada específicamente para proteger contra el polvo y los vapores y asegúrese de que las demás personas que se encuentren dentro del área de trabajo o que vayan a entrar en ella también estén protegidas.
- ◆ **Elimine a fondo todo el polvo después de lijar.**
- ◆ **Tenga especial cuidado cuando lije pinturas con posible contenido de plomo o algunos tipos de maderas y metales que puedan producir polvo tóxico:**
 - ◆ **No permita la entrada de niños ni de mujeres embarazadas en el área de trabajo.**
 - ◆ **No coma, beba ni fume en el área de trabajo.**
 - ◆ **Deshágase de las partículas de polvo y demás residuos de un modo seguro.**
- ◆ **En este manual de instrucciones se describe el uso previsto.** La utilización de accesorios o dispositivos auxiliares o la realización de operaciones distintas a las recomendadas en este manual de instrucciones para esta herramienta pueden causar lesiones corporales y/o daños materiales.

Seguridad de otras personas

- ◆ Este aparato no está destinado al uso por parte de personas (incluyendo los niños) con capacidades físicas, sensoriales o mentales reducidas, o que carezcan de experiencia o del conocimiento necesario, a menos que estén supervisadas o reciban las instrucciones relativas al uso del aparato por una persona encargada de su seguridad.
- ◆ Los niños deben estar siempre vigilados para asegurarse de que no juegan con el aparato.

Riesgos residuales.

El uso de esta herramienta puede producir riesgos residuales adicionales no incluidos en las advertencias de seguridad adjuntas. Estos riesgos se pueden generar por un uso incorrecto, demasiado prolongado, etc.

El cumplimiento de las normas de seguridad correspondientes y el uso de dispositivos de seguridad no evitan ciertos riesgos residuales. Dichos riesgos incluyen:

- ◆ Lesiones producidas por el contacto con piezas móviles o giratorias.
- ◆ Lesiones causadas al cambiar piezas, hojas o accesorios.
- ◆ Lesiones causadas por el uso prolongado de una herramienta. Si utiliza una herramienta durante períodos de tiempo demasiado prolongados, asegúrese de realizar pausas con frecuencia.
- ◆ Deterioro auditivo.
- ◆ Riesgos para la salud causados por la respiración del polvo generado por el uso de la herramienta (por ejemplo, al trabajar con madera, especialmente roble, haya, tablero semiduro de fibras y cuarzo en polvo de hormigón).

Vibración

Los valores de emisión de vibraciones declarados en el apartado de características técnicas y en la declaración de conformidad se han calculado según un método de prueba estándar proporcionado por la norma EN62841 y pueden utilizarse para comparar una herramienta con otra. El valor de emisión de vibraciones especificado también puede utilizarse en una evaluación preliminar de la exposición.

¡Advertencia! El valor de emisión de vibraciones durante el funcionamiento real de la herramienta eléctrica puede diferir del valor declarado en función de cómo se utilice dicha herramienta. El nivel de las vibraciones puede aumentar por encima del nivel declarado.

Al evaluar la exposición a las vibraciones con el fin de determinar las medidas de seguridad que exige la directiva 2002/44/CE para proteger a las personas que utilizan periódicamente herramientas eléctricas en el entorno laboral, deberá tenerse en cuenta una estimación de la exposición a las vibraciones, las condiciones de uso reales y el modo de empleo de la herramienta, así como los pasos del ciclo operativo como, por ejemplo, el número de veces que la

herramienta se apaga, el tiempo que está parada y el tiempo de activación.

Etiquetas en la herramienta

Junto con el código de la fecha, en la herramienta aparecen los siguientes símbolos:



¡Advertencia! Para reducir el riesgo de lesiones, el usuario debe leer el manual de instrucciones.

Seguridad eléctrica



Esta herramienta lleva un doble aislamiento; por lo tanto, no requiere una toma de tierra. Compruebe siempre que el voltaje suministrado corresponda al indicado en la placa de características.

- ◆ Si se daña el cable de alimentación, el fabricante o un centro de servicio técnico autorizado de BLACK+DECKER deberán sustituirlo para evitar riesgos.

Características

Esta herramienta incluye parte o la totalidad de estas características.

1. Interruptor de encendido/apagado
2. Base del motor
3. Base de lijado orbital aleatoria
4. Base grande de lijado de detalles
5. Punta de la base de lijado
6. Accesorio de detalles
7. Depósito para el polvo

Montaje

¡Advertencia! Antes del montaje, compruebe que la herramienta esté apagada y desenchufada.

Quitar las bases de lijado (fig. A, B)

- ◆ Para quitar la base de lijado, desmonte el tornillo de fijación (9) de la base de lijado con ayuda de la llave Allen (8) suministrada, tal y como se muestra en la figura A.
- ◆ Tire de la base de lijado tal y como se muestra en la figura B.

Instalación de la base de lijado orbital aleatoria (fig. C, C1)

- ◆ Sujete la herramienta y la base de lijado (3) orientándolas hacia arriba tal y como se muestra en la figura C.
- ◆ Presione hacia abajo la base de lijado hasta que oiga un clic que indica que ha encajado en su lugar.
- ◆ Vuelva a colocar el tornillo de fijación (9) y fjelo con la llave Allen (8) suministrada, tal y como se muestra en la figura C.

- ◆ Ayúdese de un destornillador (17) (no suministrado) para mantener fija la base de lijado mientras aprieta el tornillo de fijación (9), tal y como se muestra en la figura C1.

Montaje de las hojas de lijado (fig. D)

- ◆ Sostenga la herramienta con la base de lijado (3) orientada hacia arriba.
- ◆ Coloque la hoja de lija (11) sobre la base de lijado (3) asegurándose de que los orificios de la hoja (si los hay) coinciden con los de la base, tal y como se muestra en la figura D.

Base grande de lijado de detalles

Con esta base, la herramienta se puede utilizar como lijadora de detalles o como lijadora para nivelado.

Instalación de la base de lijado de detalles de gran tamaño (fig. E, F, F1)

Para un lijado preciso, se debe orientar el extremo puntiagudo hacia delante (fig. E).

Para el lijado de superficies de gran tamaño, se debe orientar el extremo puntiagudo hacia atrás (fig. F).

- ◆ Coloque la base de lijado tal y como se ha descrito anteriormente en "Instalación de la base de lijado orbital aleatoria".
- ◆ Presione hacia abajo la base de lijado hasta que oiga un clic que indica que ha encajado en su lugar.
- ◆ Vuelva a colocar el tornillo de fijación (9) y fíjelo con la llave Allen (8) suministrada.
- ◆ Ayúdese de un destornillador (17) (no suministrado) para mantener fija la base de lijado mientras aprieta el tornillo de fijación (9), tal y como se muestra en la figura F1.

Montaje de las hojas de lija (fig. G)

- ◆ Separe las dos puntas con forma de rombo (14) de la hoja de lija (12).
- ◆ Sostenga la herramienta con la base de lijado orientada hacia arriba.
- ◆ Coloque la hoja de lija (12) sobre la base de lijado, asegurándose de que los orificios de la hoja (si los hay) coinciden con los de la base.

Se puede utilizar el dorso de las puntas con forma de diamante (13) y sustituirlas cuando ambos lados se hayan desgastado.

- ◆ Una vez desgastada la parte delantera de la punta, sáquela de la hoja, gírela y vuelva a colocarla en la base de lijado.
- ◆ Cuando la punta se haya desgastado por ambos lados, extráigala de la base de lijado y monte una nueva punta con forma de rombo (13).

Punta de la base de lijado (fig. H)

Cuando el soporte de la punta de rombo está desgastado (5), se puede sustituir. Puede solicitar recambios a su distribuidor

de BLACK+DECKER.

- ◆ Extraiga el tornillo (15).
- ◆ Reemplace las piezas desgastadas.
- ◆ Coloque y apriete el tornillo (15).

Accesorio de tipo uña (fig. I)

El dispositivo auxiliar de tipo uña permite realizar un lijado preciso de las partes más difíciles.

- ◆ Extraiga el tornillo (15).
- ◆ Extraiga el soporte de la punta con forma de rombo (5) de la base de lijado.
- ◆ Monte el accesorio de tipo uña (6) sobre la base de lijado.
- ◆ Coloque y apriete el tornillo (15).
- ◆ Monte la hoja de lija adecuada (16) sobre el accesorio de detalles.

Uso

¡Advertencia! Deje que la herramienta funcione a su ritmo. No la sobrecargue.

¡Advertencia! No cubra las ranuras de ventilación cuando use la herramienta. Asegúrese de que la base de lijado esté plana en la pieza de trabajo.

- ◆ Guarde la herramienta con una base puesta.
- ◆ Mantenga las manos alejadas del eje de la herramienta.
- ◆ No apoye los dedos en la base durante su uso.

Encendido y apagado (fig. J)

- ◆ Para encender la herramienta, ponga el interruptor de encendido/apagado (1) en la posición I.
- ◆ Para apagar la herramienta, ponga el interruptor de encendido/apagado (1) en la posición O.

Vaciado del depósito de polvo (fig. K)

El depósito para el polvo (7) deber vaciarse al cabo de diez minutos de uso.


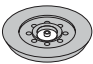

- ◆ Tire hacia atrás del depósito de polvo (7) y desconecte la herramienta del puerto de conexión (7a).
- ◆ Vacíelo en un recipiente adecuado y vuelva a colocarlo en la herramienta.

Accesorios

El funcionamiento de la herramienta dependerá del accesorio que se utilice. Los accesorios de BLACK+DECKER se han fabricado siguiendo estándares de alta calidad y se han diseñado para mejorar el funcionamiento de la herramienta. Con estos accesorios, sacará el máximo provecho a su herramienta.

Los accesorios suministrados con la lijadora dependen del modelo que haya adquirido. Si necesita un accesorio que se encuentra enumerado a continuación pero que no se suministra con su lijadora,

visite nuestra página web www.blackanddecker.eu

Elemento	Descripción	Finalidad
	Base grande de lijado de detalles (4).	Para superficies de tamaño grande y mediano. La base de lijado de detalles puede utilizarse para lijar esquinas y los bordes de la pieza de trabajo.
	Base de lijado orbital aleatoria (3).	Para superficies grandes. La base de lijado orbital aleatoria puede utilizarse para superficies curvas y cuando se necesita obtener un acabado de alta calidad.
	Accesorio de detalles (6).	Para superficies pequeñas e inaccesibles. El accesorio de detalles de tipo uña puede utilizarse para efectuar un lijado ligero y para lijar las esquinas.

Consejos para un uso óptimo

- ◆ Para mayor comodidad, la herramienta se puede utilizar con una o dos manos (fig. L, M, N). No coloque las manos sobre las ranuras de ventilación.
- ◆ No ejerza demasiada presión sobre la herramienta.
- ◆ Compruebe periódicamente el estado de la hoja de lija. Sustitúyala cuando sea necesario.
- ◆ Lije siempre en el sentido de la veta de la madera.
- ◆ Para lijar capas de pintura nuevas antes de aplicar otra capa, utilice un papel de lija de grano extrafino.
- ◆ En superficies muy desiguales o cuando vaya a quitar capas de pintura, comience con un papel de lija de grano grueso. Sobre otras superficies, comience con un papel de lija de grano medio. En ambos casos, cambie gradualmente a un papel de lija de grano fino para lograr un buen acabado.
- ◆ Consulte a su proveedor para obtener más información sobre los accesorios disponibles.

Mantenimiento

Su herramienta BLACK+DECKER ha sido diseñada para funcionar durante un largo período de tiempo con un mantenimiento mínimo. El funcionamiento satisfactorio y continuo depende del buen cuidado de la herramienta y de una limpieza frecuente.

¡Advertencia! Antes de realizar el mantenimiento de la herramienta, desconecte el cargador antes de limpiarla.

- ◆ Limpie periódicamente las ranuras de ventilación de la herramienta con un cepillo suave o un paño seco.
- ◆ Limpie periódicamente la carcasa del motor con un paño húmedo. No utilice limpiadores abrasivos o a base de disolventes.

Sustitución del enchufe de alimentación principal (solo Irlanda y Reino Unido)

Si debe colocar un nuevo enchufe de red:

- ◆ Deseche el enchufe viejo según las normas de seguridad.
- ◆ Conecte el cable marrón al terminal conductor del nuevo enchufe.
- ◆ Conecte el cable azul al terminal neutro.

¡Advertencia! No deberá realizar ninguna conexión al terminal de tierra. Siga las instrucciones de ajuste suministradas con enchufes de buena calidad. Fusible recomendado: 5 A.

Protección del medio ambiente



Recogida selectiva. Los productos y las baterías marcadas con este símbolo no se deben eliminar con los residuos domésticos normales.

Los productos y las baterías que contienen materiales que se puedan recuperar o reciclar reducen la demanda de materias primas.

Recicle los productos eléctricos y las baterías de conformidad con la normativa local. Puede obtener más información en www.2helpU.com

Datos técnicos

		BEW200
Voltaje de entrada	V_{CA}	230
Potencia de entrada	W	200
Velocidad en vacío	min^{-1}	12000
Peso	kg	1,40 (con la base de detalles), 1,34 (con la base de lijado orbital)

Nivel de presión acústica según la norma EN 62841:

Presión acústica (L_{pA})	85,5 dB(A), incertidumbre (K) 3 dB(A)
Potencia acústica (L_{WA})	93,5 dB(A), Incertidumbre (K) 3 dB(A)

Valores totales de vibración (suma vectorial triaxial) de acuerdo con la directiva EN 62841:

(a) 9.8 m/s², incertidumbre (K) 1.5 m/s²

Declaración de conformidad CE DIRECTIVA DE MÁQUINAS



Lijadora BEW200

Black & Decker declara que los productos descritos en la "ficha técnica" cumplen con las siguientes directrices: 2006/42/EC, EN 62841-1:2015 + AC:2015 + A11:2022 , EN62841-2-4:2014

Estos productos también cumplen con las Directivas 2014/30/EC y 2011/65/EU. Si desea obtener más información, póngase en contacto con Black & Decker a través de la siguiente dirección o consulte la contratubierta del manual.

La persona que firma a continuación es responsable de la elaboración del archivo técnico y realiza esta declaración en nombre de Black & Decker.

Patrick Diepenbach

Patrick Diepenbach
Director General, Benelux
Black & Decker,
Egide Walschaertsstraat 14 -18
2800 Malinas, Bélgica
23/09/2022

Garantía

Black & Decker confía en la calidad de sus productos y ofrece a los consumidores una garantía de 24 meses a partir de la fecha de compra. Esta garantía es adicional a sus derechos legales y no los menoscaba en modo alguno. La garantía es válida dentro de los territorios de los Estados Miembros de la Unión Europea y del Área de Libre Comercio Europea y el Reino Unido.

Para reclamar la garantía, la reclamación se debe presentar de conformidad con las condiciones de Black & Decker.

Tendrá que adjuntar un justificante de compra al vendedor o al agente técnico autorizado.

Las condiciones de la garantía de 2 años de Black & Decker y la ubicación de su agente técnico autorizado más cercano se pueden obtener en Internet en www.2helpU.com o poniéndose en contacto con su oficina local de Black & Decker en la dirección que se indica en este manual.

Visite nuestro sitio web www.blackanddecker.co.uk para registrar su nuevo producto Black & Decker y recibir noticias sobre nuevos productos y ofertas especiales.

Utilização pretendida

A lixadeira BLACK+DECKER BEW200 foi concebida para lixar e polir madeira, metal, plástico e superfícies pintadas. Esta ferramenta destina-se apenas para utilização doméstica.

Instruções de segurança

Avisos de segurança gerais para ferramentas eléctricas



Atenção! Leia todos os avisos de segurança, instruções, ilustrações e especificações fornecidas com esta ferramenta elétrica. O não cumprimento dos seguintes avisos e instruções pode resultar em choque eléctrico, incêndio e/ou ferimentos graves.

Guarde todos os avisos e instruções para futura referência. A expressão "ferramenta eléctrica" utilizada a seguir refere-se a ferramentas eléctricas com ligação à corrente eléctrica (com cabo) ou com bateria (sem fios).

1. Segurança na área de trabalho

- a. **Mantenha a área de trabalho limpa e bem iluminada.** As áreas desorganizadas ou escuras são propensas a acidentes.
- b. **Não trabalhe com ferramentas eléctricas em áreas com risco de explosão, nas quais se encontrem líquidos, gases ou poeiras inflamáveis.** As ferramentas eléctricas criam faíscas que poderão inflamar estas poeiras ou vapores.
- c. **Mantenha crianças e outras pessoas afastadas durante a utilização da ferramenta eléctrica.** As distrações podem levar à perda do controlo da ferramenta.

2. Segurança eléctrica

- a. **As fichas da ferramenta eléctrica devem encaixar na tomada. Nunca modifique a ficha de forma alguma. Não utilize fichas adaptadoras com ferramentas eléctricas ligadas à terra.** As fichas não modificadas e as tomadas compatíveis reduzem o risco de choque eléctrico.
- b. **Evite que o corpo entre em contacto com superfícies ligadas à terra, como tubos, radiadores, fogões e frigoríficos.** Se o seu corpo estiver "ligado" à terra, o risco de choque eléctrico é maior.
- c. **As ferramentas eléctricas não podem ser expostas a chuva nem humidade.** A entrada de água numa ferramenta eléctrica aumenta o risco de choque eléctrico.
- d. **Manuseie o cabo com cuidado. Nunca o utilize para transportar, puxar ou desligar a ferramenta eléctrica. Mantenha o cabo afastado de fontes de calor, substâncias oleosas, arestas afiadas ou peças móveis.** Os cabos danificados ou emaranhados

aumentam o risco de choque eléctrico.

- e. **Quando trabalhar com uma ferramenta eléctrica ao ar livre, utilize uma extensão adequada para esse fim.** A utilização de um cabo adequado para uso ao ar livre reduz o risco de choque eléctrico.
- f. **Se for inevitável trabalhar com uma ferramenta eléctrica num local húmido, utilize um dispositivo de corrente residual (RCD).** A utilização de um RCD reduz o risco de choque eléctrico.

3. Segurança pessoal

- a. **Mantenha-se atento, observe o que está a fazer e seja prudente quando trabalhar com a ferramenta eléctrica.** Não utilize uma ferramenta eléctrica quando estiver cansado ou sob o efeito de drogas, álcool ou medicamentos. Um momento de distração durante a utilização de ferramentas eléctricas pode resultar em ferimentos graves.
- b. **Utilize equipamento de protecção individual. Use sempre protecção ocular.** O equipamento de protecção, como, por exemplo, uma máscara contra o pó, sapatos de segurança antiderrapantes, um capacete de segurança ou uma protecção auditiva, usado nas condições apropriadas, reduz o risco de ferimentos.
- c. **Evite arranques involuntários. Certifique-se de que o botão está desligado antes de ligar a ferramenta à corrente eléctrica e/ou as pilhas, e antes de levantar ou transportar a ferramenta.** Se mantiver o dedo sobre o interruptor ao transportar ferramentas eléctricas ou se as ligar à fonte de alimentação com o interruptor ligado, isso pode dar origem a acidentes.
- d. **Retire eventuais chaves de ajuste ou chaves de fendas antes de ligar a ferramenta eléctrica.** Uma chave de fenda ou de ajuste fixada numa peça rotativa da ferramenta eléctrica pode causar ferimentos.
- e. **Não tente chegar a pontos fora do alcance. Mantenha sempre os pés bem apoiados e um equilíbrio apropriado.** Desta forma, será mais fácil controlar a ferramenta eléctrica em situações inesperadas.
- f. **Use vestuário adequado. Não use roupa larga ou joias. Mantenha o cabelo, a roupa e as luvas afastados das peças móveis.** As roupas largas, as jóias ou o cabelo comprido podem ficar presos nestas peças.
- g. **Se for prevista a montagem de dispositivos de extracção e recolha de poeiras, assegure-se de que estão ligados e que são utilizados de forma correcta.** A utilização de dispositivos de extracção de partículas pode reduzir os riscos relacionados com as mesmas.
- h. **Não permita que o facto de estar familiarizado com a utilização frequente das ferramentas o torne complacente e ignore os princípios de segurança da ferramenta.** Uma acção irreflectida pode causar

ferimentos numa fracção de segundos.

4. Utilização e manutenção da ferramenta eléctrica

- a. **Não sobrecarregue a ferramenta eléctrica. Utilize a ferramenta eléctrica correcta para o seu trabalho.** A ferramenta eléctrica adequada irá efectuar o trabalho de acordo com a capacidade para a qual foi concebida.
- b. **Não utilize a ferramenta eléctrica se o interruptor não puder ser ligado ou desligado.** Qualquer ferramenta eléctrica que não possa ser controlada através do interruptor de alimentação é perigosa e tem de ser reparada.
- c. **Desligue a ficha da tomada e/ou a bateria da ferramenta eléctrica antes de proceder a ajustes, trocar acessórios ou guardar ferramentas eléctricas.** Estas medidas de segurança preventivas reduzem o risco de ligar a ferramenta eléctrica acidentalmente.
- d. **Mantenha as ferramentas eléctricas que não estiverem a ser utilizadas fora do alcance das crianças. Não permita que a ferramenta eléctrica seja utilizada por pessoas não familiarizadas com a mesma ou que não tenham lido estas instruções.** As ferramentas eléctricas são perigosas nas mãos de pessoas que não possuam as qualificações necessárias para as manusear.
- e. **Proceda à manutenção das ferramentas eléctricas. Verifique se as partes móveis estão desalinhasadas ou bloqueadas, se existem peças partidas ou qualquer outra situação que possa afetar o funcionamento das ferramentas eléctricas. Se a ferramenta eléctrica estiver danificada, esta não deve ser utilizada até que seja reparada.** Muitos acidentes têm como principal causa ferramentas eléctricas com uma manutenção insuficiente.
- f. **Mantenha as ferramentas de corte afiadas e limpas.** As ferramentas de corte sujeitas a uma manutenção adequada, com arestas de corte afiadas, emperram com menos frequência e controlam-se com maior facilidade.
- g. **Utilize a ferramenta eléctrica, os acessórios e as peças de ferramenta, etc., de acordo com estas instruções, considerando as condições de trabalho e a tarefa a ser executada.** A utilização da ferramenta eléctrica para fins diferentes dos previstos pode resultar em situações perigosas.
- h. **Mantenha os punhos e as pegas de fixação secos, limpos e sem qualquer óleo ou gordura.** Se tiver as mãos escorregadias e as superfícies com gordura, isso não permite um manuseamento e controlo seguros da ferramentas em situações inesperadas.

5. Assistência

- a. A sua ferramenta eléctrica só deve ser reparada por pessoal qualificado e só devem ser colocadas peças sobresselentes originais.

Desta forma, é garantida a segurança da ferramenta eléctrica.

Avisos de segurança adicionais para ferramentas eléctricas



Atenção! Avisos de segurança adicionais para lixadeiras

- ◆ **Segure a ferramenta eléctrica pelas superfícies de fixação isoladas, uma vez que o cortador pode entrar em contacto com o respectivo cabo.** Cortar um acessório em contacto com um cabo "electrificado" pode expor as peças metálicas do sistema eléctrico da ferramenta e provocar um choque eléctrico ao operador.
- ◆ **Utilize grampos ou outro sistema prático para apoiar e fixar a peça numa plataforma estável.** Segurar a peça com a mão ou contra o corpo pode causar instabilidade e perda de controlo.
- ◆ **Atenção! O contacto ou a inalação de poeiras originadas pelas aplicações da lixadeira pode colocar em perigo a saúde do operador ou das pessoas presentes.** Utilize uma máscara especificamente concebida para protecção contra poeiras e vapores e certifique-se de que as pessoas perto da área de trabalho também estão protegidas.
- ◆ **Remova completamente toda a poeira depois de terminar.**
- ◆ **Tenha especial atenção quando lixar tinta que possa conter chumbo ou algumas madeiras e metais que possam produzir poeiras tóxicas:**
 - ◆ Não permita que crianças ou mulheres grávidas entrem na área de trabalho.
 - ◆ Não coma, beba ou fume na área de trabalho.
 - ◆ Elimine as partículas de poeira e outros detritos de forma segura.
- ◆ **A utilização adequada está descrita neste manual de instruções.**

A utilização de qualquer acessório ou a realização de qualquer operação com esta ferramenta que não se inclua no presente manual de instruções pode representar um risco de ferimentos e/ou danos materiais.

Segurança de terceiros

- ◆ Este equipamento não deve ser utilizado por pessoas (incluindo crianças) com capacidades físicas, sensoriais ou mentais reduzidas ou com falta de experiência e conhecimentos, a menos que sejam acompanhadas ou tenham recebido formação ou instruções sobre a utilização deste equipamento por uma pessoa

responsável pela respectiva segurança.

- ◆ As crianças devem ser vigiadas para garantir que não mexem no equipamento.

Riscos residuais.

Podem surgir riscos residuais adicionais durante a utilização da ferramenta, que poderão não constar nos avisos de segurança incluídos. Estes riscos podem resultar de má utilização, uso prolongado, etc.

Mesmo com o cumprimento dos regulamentos de segurança relevantes e a implementação de dispositivos de segurança, alguns riscos residuais não podem ser evitados. Estes incluem:

- ◆ Ferimentos causados pelo contacto com peças em rotação/movimento.
- ◆ Ferimentos causados durante a substituição de peças, lâminas ou acessórios.
- ◆ Ferimentos causados pela utilização prolongada de uma ferramenta. Se utilizar uma ferramenta durante períodos prolongados, certifique-se de que faz pausas regularmente.
- ◆ Danos auditivos.
- ◆ Problemas de saúde causados pela inalação de poeiras resultantes da utilização da ferramenta (exemplo: trabalhos em madeira, especialmente carvalho, faia e MDF).

Vibração

Os valores de emissão de vibração declarados na secção de dados técnicos e na declaração de conformidade foram medidos de acordo com o método de teste padrão fornecido pela EN62841 e podem ser utilizados para comparar ferramentas. O valor de emissão de vibração declarado pode ainda ser utilizado numa avaliação preliminar de exposição.

Atenção! O valor de emissão de vibração durante a utilização real da ferramenta eléctrica pode ser diferente do valor declarado, dependendo da forma como a ferramenta é utilizada. O nível de vibração pode aumentar acima do nível indicado.

Quando avaliar a exposição da vibração para determinar as medidas de segurança exigidas pela Diretiva 2002/44/CE para proteger pessoas que utilizem regularmente ferramentas eléctricas na sua atividade profissional, deve ser considerada uma estimativa de exposição de vibração, as condições reais de utilização e o modo de utilização da ferramenta, incluindo ainda todas as partes do ciclo de funcionamento, como os períodos de inatividade e espera da ferramenta, além do tempo de funcionamento.

Etiquetas colocadas na ferramenta

A ferramenta apresenta os seguintes símbolos de aviso juntamente com o código de data:



Atenção! Para reduzir o risco de ferimentos, o utilizador deve ler o manual de instruções.

Segurança eléctrica



Esta ferramenta tem isolamento duplo. Por esse motivo, não precisa de ligação à terra. Verifique sempre se a tensão da tomada de electricidade corresponde à tensão indicada na placa com os requisitos de alimentação da ferramenta.

- ◆ Se o cabo de alimentação estiver danificado, terá de ser substituído pelo fabricante ou por um Centro de Assistência autorizado da BLACK+DECKER, de modo a evitar situações de perigo.

Componentes

Esta ferramenta inclui algumas ou todas as funcionalidades seguintes.

1. Interruptor de ligar/desligar
2. Base do motor
3. Base para lixadeira orbital aleatória
4. Base para lixadeira de detalhe grande
5. Ponta da base para lixadeira
6. Ponta de longo alcance
7. Caixa para poeiras

Montagem

Atenção! Antes da montagem, certifique-se de que a ferramenta está desligado e que não está ligado à corrente eléctrica.

Remover bases para a lixadeira (Fig. A, B)

- ◆ Para remover a base para lixadeira, desaperte o parafuso de fixação (9) da base para lixadeira, utilizando a chave Allen (8) fornecida, como indicado na Figura A.
- ◆ Retire a base para lixadeira da ferramenta, como indicado na Figura B.

Fixar a base para lixadeira orbital aleatória (Fig. C, C1)

- ◆ Segure a ferramenta e a base para lixadeira (3) viradas para cima, como mostrado na Figura C.
- ◆ Pressione na base para lixadeira até ouvir um som de encaixe.
- ◆ Volte a colocar o parafuso de fixação (9) e aperte-o com a chave Allen (8) fornecida, como indicado na Figura C.
- ◆ Use uma chave de fenda (17) (não fornecida) para fixar a base para lixadeira na respectiva posição enquanto aperta o parafuso de fixação (9), como indicado na Figura C1.

Colocar folhas de lixa (Fig. D)

- ◆ Segure a ferramenta com a base para lixadeira (3) virada para cima.

- ◆ Coloque a folha de lixa (11) na base para lixadeira (3), certificando-se de que os orifícios da folha (se aplicável) ficam alinhados com os orifícios na base, como indicado na Figura D.

Base para lixadeira de detalhe grande

Com esta base para lixadeira, pode utilizar a ferramenta como lixadeira de detalhe ou lixadeira de nivelamento.

Fixar a base para lixadeira de detalhe grande (Fig. E, F, F1)

Quando utilizar a lixadeira de detalhe, a extremidade pontiaguda deve ficar virada para a frente (Fig. E). Quando utilizar a lixadeira em áreas grandes, a extremidade pontiaguda deve ficar virada para trás (Fig. F).

- ◆ Fixe a base para lixadeira tal como descrito acima em "Fixar a base para lixadeira orbital aleatória".
- ◆ Pressione na base para lixadeira até ouvir um som de encaixe.
- ◆ Volte a colocar o parafuso de fixação (9) e aperte-o com a chave Allen (8) fornecida.
- ◆ Use uma chave de fenda (17) (não fornecida) para fixar a base para lixadeira na respectiva posição enquanto aperta o parafuso de fixação (9), como indicado na Figura F1.

Colocar folhas de lixa (Fig. G)

- ◆ Solte as duas pontas para lixar em forma de diamante (14) da folha de lixa (12).
- ◆ Segure a ferramenta com a base voltada para a lixadeira e virada para cima.
- ◆ Coloque a folha de lixa (12) na base para lixadeira, certificando-se de que os orifícios da folha (se aplicável) ficam alinhados com os orifícios da base.

A ponta em forma de diamante (13) pode ser invertida e substituída quando estiver gasta.

- ◆ Quando a parte da frente da ponta estiver gasta, solte-a da folha, inverta-a e pressione-a de novo contra a base para lixadeira.
- ◆ Quando toda a ponta estiver gasta, retire-a da base para lixadeira e coloque uma ponta em forma de diamante nova (13).

Ponta da base para lixadeira (Fig. H)

Quando o suporte da ponta para lixar em forma de diamante (5) estiver gasto, pode ser substituído. Estão disponíveis peças sobresselentes no seu revendedor BLACK+DECKER.

- ◆ Retire o parafuso (15).
- ◆ Substituir as peças desgastadas.
- ◆ Fixe e aperte o parafuso (15).

Ponta de longo alcance (Fig. I)

A ponta de longo alcance é utilizado para lixar com detalhe polido.

- ◆ Retire o parafuso (15).
- ◆ Retire o suporte da ponta em forma de diamante (5) da base para lixadeira.
- ◆ Coloque a ponta de longo alcance (6) na base para lixadeira.
- ◆ Fixe e aperte o parafuso (15).
- ◆ Coloque a folha de lixa adequada (16) na ponta de longo alcance.

Utilização

Atenção! Não altere o ritmo de funcionamento da ferramenta. Não sobrecarregue.

Atenção! Não tape as saídas de ventilação quando utilizar a ferramenta. Certifique-se de que a base para lixadeira se encontra encaixada na peça.

- ◆ Guarde a ferramenta com uma base no devido lugar.
- ◆ Mantenha as mãos afastadas da área de eixo na ferramenta.
- ◆ Não coloque os dedos sobre a base durante a utilização.

Ligar e desligar (Fig. J)

- ◆ Para ligar a ferramenta, coloque o interruptor de ligar/desligar (1) na posição **I**.
- ◆ Para desligar a ferramenta, coloque o interruptor de ligar/desligar (1) na posição **O**.

Esvaziar o depósito de poeiras (Fig. K)

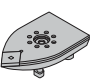
A caixa de poeiras (7) deve ser esvaziada após cada dez minutos de utilização.

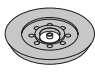

- ◆ Puxe o depósito para poeiras (7) da ferramenta e afastado da porta de ligação (7a).
- ◆ Esvazie para um receptáculo adequado e volte a colocá-lo na ferramenta.

Acessórios

O desempenho da sua ferramenta depende do acessório utilizado. Os acessórios BLACK+DECKER são concebidos segundo normas de elevada qualidade e desenvolvidos de modo a melhorar o desempenho da sua ferramenta. Utilizando estes acessórios, tirará o melhor partido da sua ferramenta.

Os acessórios fornecidos com a sua lixadeira dependem do modelo adquirido. Se necessitar de um dos acessórios listados abaixo mas este não for fornecido com a sua lixadeira, visite o nosso Website em www.blackanddecker.eu

Item	Descrição	Objectivo
	Base para lixadeira de detalhe grande (4).	Para áreas médias e grandes. A base de detalhe grande pode ser utilizada para lixar cantos e extremidades da peça de trabalho.

	Base para lixadeira orbital aleatória (3).	Para áreas grandes. A base orbital aleatória pode ser utilizada para superfícies curvas e para acabamentos de elevada qualidade.
	Ponta de longo alcance (6).	Para pequenas áreas de difícil acesso. A ponta de longo alcance pode ser utilizada para lixar superfícies suavemente e para lixar cantos.

Sugestões para uma utilização ótima

- ◆ Para um maior conforto do utilizador, a ferramenta pode ser utilizada com uma ou duas mãos (Fig. L, M, N). Não coloque as mãos sobre as saídas de ventilação.
- ◆ Não exerça demasiada pressão na ferramenta.
- ◆ Verifique regularmente o estado de conservação da folha de lixa. Substitua-a quando necessário.
- ◆ Lixe sempre de acordo com a granulação da madeira.
- ◆ Quando estiver a lixar novas camadas de tinta antes de aplicar outra camada, utilize granulação extra fina.
- ◆ Em superfícies muito irregulares ou para remover camadas de tinta, comece com uma granulação grossa. Noutras superfícies, comece com uma granulação média. Em ambos os casos, mude gradualmente para uma granulação fina para conseguir um acabamento liso.
- ◆ Consulte o seu revendedor para obter mais informações sobre os acessórios disponíveis.

Manutenção

A ferramenta BLACK+DECKER foi concebida para funcionar durante muito tempo com um mínimo de manutenção.

Uma utilização continuamente satisfatória depende de uma manutenção apropriada da ferramenta e de uma limpeza regular.

Atenção! Antes de efectuar qualquer tarefa de manutenção da ferramenta, desligue o carregador antes de o limpar.

- ◆ Limpe regularmente as aberturas de ventilação da ferramenta com uma escova suave ou um pano seco.
- ◆ Limpe regularmente o compartimento do motor com um pano húmido. Não utilize produtos de limpeza abrasivos ou à base de dissolventes.

Substituição da ficha de alimentação (apenas Reino Unido e Irlanda)

Se for necessário instalar uma nova ficha de alimentação:

- ◆ Elimine com segurança a ficha antiga.
- ◆ Ligue o cabo castanho ao terminal activo da nova ficha.
- ◆ Ligue o cabo azul ao terminal neutro.

Atenção! Não deve ser efetuada qualquer ligação ao terminal de terra. Siga as instruções de instalação fornecidas com fichas de boa qualidade. Fusível recomendado: 5 A.

Proteção do ambiente



Faça uma recolha de lixo seletiva. Os produtos e as pilhas assinaladas com este símbolo não devem ser eliminados juntamente com o lixo doméstico normal.

Os produtos e as pilhas contêm materiais que podem ser recuperados ou reciclados, reduzindo assim a necessidade de matérias-primas.

Recicle os produtos eléctricos e as pilhas de acordo com as disposições locais. Estão disponíveis mais informações em www.2helpU.com

Dados técnicos

		BEW200
Tensão de entrada	V_{ca}	230
Alimentação	W	200
Velocidade sem carga	min. ⁻¹	12000
Peso	kg	1,40 (com a base de detalhe), 1,34 (com base ROS)
Nível de pressão acústica de acordo com a norma EN 62841:		
Pressão acústica (L_{pA}) 85,5 dB(A), incerteza (K) 3 dB(A)		
Potência acústica (L_{WA}) 93,5 dB(A), incerteza (K) 3 dB(A)		
Valores totais de vibração (soma de vetores triaxiais) de acordo com a norma EN 62841:		
(a) 9,8 m/s ² , variabilidade (K) 1,5 m/s ²		

Declaração de conformidade CE

DIRETIVA "MAQUINAS"



Lixadeira BEW200

A Black & Decker declara que os produtos descritos em "dados técnicos" estão em conformidade com as seguintes normas:

2006/42/CE, EN 62841-1:2015 + AC:2015 +A11:2022 , EN62841-2-4:2014

Estes produtos estão também em conformidade com a Directiva 2004/108/CE e 2011/65/UE. Para obter mais informações, contacte a Black & Decker no endereço indicado ou consulte a parte posterior do manual.

O signatário é responsável pela compilação do ficheiro técnico e efectua esta declaração em nome da Black & Decker.

Patrick Diepenbach

Patrick Diepenbach
 Director-Geral, Benelux
 Black and Decker,
 Egide Walschaertsstraat 14-18
 2800 Mechelen, Bélgica
 23/09/2022

Garantia

A Black & Decker confia na qualidade dos seus produtos e oferece aos clientes uma garantia de 24 meses a partir da data de compra. Esta garantia é um complemento dos seus direitos estabelecidos por lei, não os prejudicando de forma alguma. A garantia é válida nos Estados-membros da União Europeia e nos países-membros da Zona Europeia de Comércio Livre e o Reino Unido.

Para acionar a garantia, esta deve estar em conformidade com os termos e condições da Black & Decker e terá de apresentar comprovativos de compra ao vendedor ou a um técnico de reparação autorizado.

Os termos e condições da garantia de 2 anos da Black & Decker e a localização do técnico de reparação autorizado mais próximo podem ser obtidos na Internet em www.2helpU.com ou contactando uma filial da Black & Decker , cuja morada está indicada neste manual.

Visite o nosso Website www.blackanddecker.co.uk para registar o seu novo produto da Black & Decker e receber actualizações sobre novos produtos e ofertas especiais.

Avsedd användning

Din BLACK+DECKER BEW200 slipmaskin har designats för slipning av trä, metall, plast och målade ytor. Detta verktyg är endast avsett för konsumentbruk.

Säkerhetsinstruktioner

Allmänna säkerhetsanvisningar för elverktyg



Varning! Läs alla säkerhetsvarningar, instruktioner, illustrationer och specifikationer som levereras med detta elverktyg. Fel som uppstår till följd av att varningarna och instruktionerna som listas nedan inte följts kan orsaka elstöt, brand och/eller allvarliga kroppsskador.

Spara alla säkerhetsföreskrifter och anvisningar för framtida bruk. Begreppet "Elverktyg" i alla varningar som listas nedan avser nätdrivna elverktyg (med nätsladd) och batteridrivna elverktyg (sladdlösa).

1. Säkerhet på arbetsplatsen

- a. **Se till att arbetsområdet är rent och väl belyst.**
Belamrade och mörka områden inbjuder till olyckor.
- b. **Använd inte elverktyget i explosionsfarlig omgivning, t.ex. i närheten av brännbara vätskor, gaser eller damm.** Elverktyg skapar gnistor som kan antända damm eller ångor.
- c. **Håll barn och åskådare på avstånd vid arbete med elverktyget.** Distractioner kan göra att du förlorar kontrollen.

2. Elsäkerhet

- a. **Elverktygets stickkontakt måste passa i eluttaget. Modifiera aldrig kontakten på något sätt. Använd inga adapterkontakter tillsammans med jordade elverktyg.** Icke modifierade kontakter och passande uttag minskar risken för elektrisk stöt.
- b. **Undvik kroppskontakt med jordade ytor, t.ex. rör, värmeelement, spisar och kylskåp.** Det finns en ökad risk för elektrisk stöt om din kropp är jordansluten eller jordad.
- c. **Utsätt inte elverktyget för regn eller våta omgivelningar.** Vatten som kommer in i ett elverktyg ökar risken för elektrisk stöt.
- d. **Misshandla inte nätsladden. Använd aldrig sladden för att bära, dra eller koppla bort elverktyget från uttaget. Håll sladden borta från värme, olja, skarpa kanter eller rörliga delar.** Skadade eller tilltrasslade sladdar ökar risken för elektrisk stöt.
- e. **Använd en förlängningssladd som lämpar sig för utomhusbruk när du arbetar med elverktyg utomhus.** Användning av en sladd som är lämplig för utomhusbruk minskar risken för elektriska stötar.

- f. **Om du måste använda ett elverktyg på en fuktig plats, bör du använda en strömförsörjning med jordfelsbrytare.** Användning av en jordfelsbrytare minskar risken för elektrisk stöt.

3. Personlig säkerhet

- a. **Var uppmärksam, se på vad du gör och använd sunt omdöme när du använder elverktyget. Använd inte ett elverktyg när du är trött eller påverkad av droger, alkohol eller mediciner.** Ett ögonblicks ouppmärksamhet när du arbetar med elektriska verktyg kan leda till allvarliga personsador.
- b. **Använd personlig skyddsutrustning. Använd alltid skyddsglasögon.** Skyddsutrustning såsom dammfilterskydd, halksäkra säkerhetsskor, skyddshjälm eller hörselskydd som används för lämpliga förhållanden minskar personsador.
- c. **Förhindra oavsiktlig start. Kontrollera att strömbrytaren står i avstängt läge innan du ansluter verktyget till elnätet eller sätter i batteriet, samt innan du tar upp eller bär verktyget.** Att bära elektriska verktyg med fingret på strömbrytaren eller att koppla strömmen till elektriska verktyg när strömbrytaren är på leder till olyckor.
- d. **Ta bort alla inställningsverktyg och skruvnycklar innan du startar elverktyget.** Ett verktyg eller en nyckel som har lämnats kvar på en roterande del av det elektriska verktyget kan orsaka kroppsskador.
- e. **Sträck dig inte för mycket. Ha ordentligt fotfäste och balans hela tiden.** Detta möjliggör bättre kontroll av elverktyget i oväntade situationer.
- f. **Bär lämpliga kläder. Bär inte lösa kläder eller smycken. Håll hår, beklädnad och handskar borta från delar i rörelse.** Lösa kläder, smycken eller långt hår kan fastna i rörliga delar.
- g. **Om enheten har dammsugnings- och uppsamlingsutrustning, se till att den är ansluten och används på korrekt sätt.** Användning av dammuppsamling kan minska dammrelaterade risker.
- h. **Låt inte förtrogenheten som uppstått genom regelbunden användning av verktyg låta dig bli självsäker och ignorera verktygets säkerhetsprinciper.** En oförsiktig handling kan orsaka allvarliga skador under bräkdelen av en sekund.

4. Användning och skötsel av elverktyg

- a. **Överbelasta inte elverktyget. Använd rätt elverktyg för ditt arbete.**
Det korrekta elverktyget gör arbetet bättre och säkrare vid den hastighet för vilket det konstruerades.
- b. **Använd inte elverktyget om det inte kan startas och stängas av med strömbrytaren.** Ett elverktyg som inte kan kontrolleras med strömbrytaren är farligt och måste repareras.

- c. **Dra stickproppen ur vägguttaget och/eller ta ut batteriet ur elverktyg innan inställningar görs, tillbehör byts ut eller elverktyget ställs undan.**
Sådana förebyggande säkerhetsåtgärder minskar risken att oavsiktligt starta elverktyg.
- d. **Förvara elverktyg utom räckhåll för barn och låt inte personer som är ovana vid elverktyget eller som inte läst denna bruksanvisning använda det.**
Elverktyg är farliga i händerna på ovana användare.
- e. **Underhålla elverktyg och tillbehör. Kontrollera att rörliga komponenter fungerar felfritt och inte kärvar, att komponenter inte gått sönder eller skadats och inget annat föreligger som kan påverka elverktygets funktion. Om det är skadat, se till att elverktyget blir reparerat före användning.** Många olyckor orsakas av dåligt underhållna elektriska verktyg.
- f. **Håll skärande verktyg vassa och rena.** Korrekt underhållna kapverktyg med vassa skär är mindre troliga att de fastnar och är lättare att kontrollera.
- g. **Använd elverktyg, tillbehör, bits m.m. enligt dessa anvisningar, samtidigt som arbetsförhållandena och det arbete som ska utföras beaktas.** Användning av elverktyget för andra uppgifter än vad som avsetts kan resultera i farliga situationer.
- h. **Håll handtagen och greppytorna torra, rena och fria från olja och fett.**
Hala handtag och greppytor förhindrar säker hantering och kontroll av verktyget i oväntade situationer.
5. **Service**
- a. **Låt en kvalificerad reparatör som bara använder identiska reservdelar utföra service på elverktyget.**
Detta säkerställer att elverktygets säkerhet bibehålls.

Ytterligare säkerhetsanvisningar för elverktyg



Varning! Ytterligare säkerhetsanvisningar för slipmaskiner

- ◆ **Håll elverktyget i isolerade greppytor eftersom fräsen kan komma i kontakt med sin egen sladd.** Kapning av en strömförande ledning kan exponera metalldelar hos elverktyget som kan ge operatören elektriska stötår.
- ◆ **Använd klämmor eller något annat praktiskt sätt att stödja arbetsstycket mot ett stabilt underlag.** Att hålla arbetsstycket för hand eller mot kroppen är instabilt och kan göra att du förlorar kontrollen.
- ◆ **Varning! Slipning ger upphov till damm som kan skada den som använder verktyget och andra i närheten vid kontakt eller inandning.** Använd en specialkonstruerad ansiktsmask som skyddar mot damm och ångor och se till att personer som vistas inom eller i närheten av arbetsområdet också är skyddade.

- ◆ **Var noga med att avlägsna allt damm när slipningen har avslutats.**
- ◆ **Var särskilt försiktig när du slipar bort färg som eventuellt innehåller bly eller när du slipar trä- och metallmaterial som kan avge giftigt slipdamm:**
 - ◆ **Låt aldrig barn eller gravida kvinnor vistas på arbetsplatsen.**
 - ◆ **Ät, drick och rök inte på arbetsplatsen.**
 - ◆ **Släng damm och annat avfall på miljösäker plats.**
- ◆ **Avsedd användning beskrivs i denna bruksanvisning.**
Användning av andra tillbehör eller tillsatser, eller om någon annan åtgärd än de som rekommenderas i den här bruksanvisningen kan medföra risk för personskada och/eller skada på egendom.

Säkerhet för andra

- ◆ Denna apparat är inte avsedd att användas av personer (inklusive barn) med reducerad fysisk, sensorisk eller mental förmåga eller med begränsad erfarenhet eller kunskap såvida inte de är under uppsikt eller fått instruktioner om användning av apparaten av en person som är ansvarig för deras säkerhet.
- ◆ Barn ska hållas under uppsikt så att de inte leker med verktyget.

Övriga risker.

Ytterligare risker som inte finns med i de bifogade säkerhetsanvisningarna kan uppstå när verktyget används. Dessa risker kan uppstå vid felaktig eller långvarig användning, etc.

Även om alla relevanta säkerhetsanvisningar följs och säkerhetsanordningarna används kan vissa ytterligare risker inte undvikas. Dessa omfattar:

- ◆ Skador orsakade av att roterande/rörliga delar vidrörs.
- ◆ Skador som uppstår vid byte av delar, klinga eller tillbehör.
- ◆ Skador som orsakas av en långvarig användning av ett verktyg. Se till att regelbundet ta vilopauser när du använder ett verktyg under en längre period.
- ◆ Hörselnedsättning.
- ◆ Hälsorisker orsakade av inandning av damm när redskapet används (exempel: arbete med trä, särskilt ek, bok och MDF.)

Vibrationer

De vibrationsvärden som anges i avsnitten Tekniska data och deklARATIONEN om överensstämmelse har uppmätts i enlighet med en standardtestmetod föreskriven i EN62841 och kan användas för jämförelse med andra verktyg. Det angivna vibrationsvärdet kan även användas för en preliminär bedömning av exponeringen.

Varning! Vibrationsvärdet under faktisk användning av elverktyget kan skilja sig från det uppgivna värdet beroende på hur verktyget används.

Vibrationsnivån kan överstiga den uppgivna nivån.

Vid uppskattningar av exponering för vibrationer i syfte att bedöma vilka säkerhetsåtgärder som är nödvändiga enligt 2002/44/EG för att skydda personer som regelbundet använder elverktyg i arbetet ska man utgå från de faktiska omständigheter under vilka elverktyget används och sättet på vilket det används. Bedömningen ska även ta hänsyn till alla moment i arbetscykeln, t.ex. när verktyget är avstängt och när det går på tomgång såväl som när det faktiskt används.

Etiketter på verktyget

Följande symboler finns på verktyget, tillsammans med datumkoden::



Varning! Läs bruksanvisningen före användning för att minska risken för personskador.

Elsäkerhet



Eftersom verktyget är dubbelisolerat behövs ingen jordledare. Kontrollera alltid så att spänningen på nätet motsvarar den spänning som finns angiven på märkplåten.

- ◆ Om nätsladden är skadad så måste den bytas ut av tillverkaren eller en auktoriserad BLACK+DECKER-verkstad för att undvika risker.

Funktioner

Detta verktyg har några eller samtliga av följande funktioner.

1. Strömbrytare
2. Motorbas
3. Basplatta för excenterslipning
4. Basplatta för slipning av större ytor
5. Basplattans spets
6. Fingertillsats för detaljslipning
7. Dammbehållare

Montering

Varning! Innan montering, se till att verktyget är avstängt och urkopplad.

Borttagning av basplatta (fig. A, B)

- ◆ För att ta bort slipbasen, ta bort låsskruven (9) från basplattan med insexnyckeln (8) som medföljer, såsom visas i bild A.
- ◆ Dra bort basplattan från verktyget såsom visas i bild B.

Montering av excenterbasplatta (fig. C, C1)

- ◆ Håll verktyget med basplattan (3) uppåt som visas i bild C.
- ◆ Tryck ned basplattan tills du hör den klicka på plats.
- ◆ Sätt tillbaka låsskruven (9) och fäst den med insexnyckeln

(8) såsom visas i bild C.

- ◆ Använd en skruvmejsel (17) (medföljer inte) för att låsa basplattan på plats medan du drar åt låsskruven (9) såsom visas i bild C1.

Montering av slippapper (bild D)

- ◆ Håll verktyget med basplattan (3) riktad uppåt.
- ◆ Placera slippapperet (11) på basplattan (3) och se till att hålen i papperet (där så är tillämpligt) överensstämmer med hålen i basen, såsom visas i bild D.

Basplatta för slipning av större ytor

Med denna basplatta kan du använda verktyget som en detaljslip eller planslip.

Montering av basplattan för slipning av större ytor (bild E, F, F1)

Spetsen ska peka framåt vid detaljslipning (bild E).

Spetsen ska peka bakåt vid slipning av större ytor (bild F).

- ◆ Montera basplattan enligt beskrivningen ovan under "Montering av excenterbasplatta".
- ◆ Tryck ned basplattan tills du hör den klicka på plats.
- ◆ Sätt tillbaka låsskruven (9) och fäst den med insexnyckeln (8) som medföljer.
- ◆ Använd en skruvmejsel (17) (medföljer inte) för att låsa basplattan på plats medan du drar åt låsskruven (9) såsom visas i bild F1.

Montering av slippapper (fig. G)

- ◆ Lossa de båda rombformade spetsarna (14) från slippapperet (12).
- ◆ Håll verktyget med basplattan uppåt.
- ◆ Placera slippapperet (12) på basplattan och se till att hålen i papperet (där så är tillämpligt) överensstämmer med hålen i plattan.

Den rombformade spetsen (13) kan vändas och bytas ut när den blir sliten.

- ◆ När den främre spetsen är sliten lossar du den från papperet, vänder på den och trycker fast den på basplattan igen.
- ◆ När hela spetsen är utsliten tar du bort den från basplattan och monterar en ny rombformad spets (13).

Basplattans spets (bild H)

När den rombformade spets hållaren (5) är sliten kan den bytas ut. Reservdelar finns hos din Black+Decker-återförsäljare.

- ◆ Ta bort skruven (15).
- ◆ Byt ut slitna delar.
- ◆ Fäst och dra åt skruven (15).

Fingertillsats (fig. I)

Fingertillsatsen kan användas vid detaljslipning.

- ◆ Ta bort skruven (15).

- ◆ Ta bort den rombformade spetshållaren (5) från basplattan.
- ◆ Montera fingertillsatsen (6) på basplattan.
- ◆ Fäst och dra åt skruven (15).
- ◆ Fäst ett lämpligt sandpapper (16) på fingertillsatsen.

Användning

Varning! Låt verktyget arbeta i sin egen takt. Överbelasta inte.

Varning! Täck inte över ventilationsöppningarna när verktyget används. Se till så att basplattan är plan mot arbetsstycket.

- ◆ Förvara verktyget med en festsatt basplatta.
- ◆ Håll händerna borta från verktygets axelområde.
- ◆ Vila inte fingrarna på basplattan när den används.

Slå på och av (bild J)

- ◆ Slå på apparaten genom att ställa strömbrytaren (1) i läge I.
- ◆ Stäng av apparaten genom att ställa strömbrytaren (1) i läge O.

Tömma dammbehållaren (bild K)


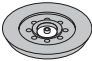

Dammbehållaren (7) bör tömmas var tionde minut vid användning.

- ◆ Dra dammbehållaren (7) bakåt och dra av den från verktyget bort från anslutningsöppningen (7a).
- ◆ Töm i en lämplig behållaren och sätt tillbaka på verktyget.

Tillbehör

Verktygets prestanda beror på vilka tillbehör du använder. Tillbehör från BLACK+DECKER håller hög kvalitet och är konstruerade för att fungera optimalt med verktyget. Genom att använda dessa tillbehör får du ut mesta möjliga av verktyget.

Slipmaskinen levereras med olika tillbehör beroende på vilken modell du köpt. Om du vill ha ett tillbehör som visas nedan men inte levereras tillsammans med din slipmaskin kan du besöka vår webbsida på www.blackanddecker.eu

Artikel	Beskrivning	Ändamål
	Basplatta för slipning av stora detaljer (4).	För mellanstora till stora ytor. Basplattan för stora detaljer kan användas vid slipning in i hörn och på arbetsstyckets kant.
	Basplatta för excenterslipning (3).	För stora ytor. Basplattan för excenterslipning kan användas för rundade ytor och när du vill ha en snygg finish.
	Fingertillsats för detaljslipning (6).	För små och svåråtkomliga ytor. Fingertillsatsen kan användas vid lätt slipning och vid slipning in i hörn.

Tips för optimal användning

- ◆ Verktyget kan användas med en eller två händer för bästa komfort (bild L, M, N). Håll inte händerna över ventilationsöppningarna.
- ◆ Tryck inte för hårt på verktyget.
- ◆ Kontrollera slippapperets skick regelbundet. Byt vid behov.
- ◆ Slipa alltid i virkets fiberriktning.
- ◆ Använd extra finkornigt slippapper mellan strykningarna av nymålade ytor.
- ◆ På mycket ojämna ytor eller vid borttagning av flera färglager bör ett grovkornigt slippapper användas i början. På andra ytor startas slipningen med medelgrovt slippapper. I båda fallen bör ett mer finkornigt slippapper användas efter hand för att uppnå en jämn och slät yta.
- ◆ Kontakta din återförsäljare för mer information om tillgängliga tillbehör.

Underhåll

Detta BLACK+DECKER-verktyg har konstruerats för att fungera under lång tid med ett minimum av underhåll. Kontinuerlig tillfredsställande drift är beroende av ordentlig verktygsvård och regelbunden rengöring.

Varning! Koppla loss laddaren innan du utför något underhåll på eller rengör verktyget.

- ◆ Rengör regelbundet apparatens luftintag med en mjuk borste eller torr trasa.
- ◆ Rengör motorkåpan regelbundet med en fuktig trasa. Använd aldrig något slipande eller lösningsmedelsbaserat rengöringsmedel.

Byte av elkontakten (endast Storbritannien och Irland)

Om en ny elkontakt måste monteras:

- ◆ Gör dig av med den gamla kontakten på lämpligt sätt.
- ◆ Anslut den bruna ledningen till den strömförande anslutningen i den nya kontakten.
- ◆ Anslut den blå ledningen till den icke strömförande anslutningen.

Varning! Ingenting bör kopplas till jordanslutningen. Följ de monteringsanvisningar som följer med kontakter av god kvalitet. Rekommenderad säkring: 5 A.

Skydda miljön



Separat insamling. Produkter och batterier som är markerade med denna symbol får inte kastas i de vanliga hushållsoporna.

Produkter och batterier innehåller material som kan återanvändas eller återvinnas för att minska behovet av råmaterial.

Återvinn elektriska produkter och batterier enligt lokala föreskrifter. Mer information finns tillgänglig på www.2helpU.com

Tekniska data

BEW200		
Inspänning	V_{AC}	230
Ineffekt	W	200
Obelastat varvtal	min^{-1}	12000
Vikt	kg	1,40 (med detaljbas), 1,34 (med ROS bas)

Ljudtrycksnivå enligt EN 62841:

Ljudtryck (L_{pA}) 85,5 dB(A), osäkerhet (K) 3 dB(A)Ljudtryck (L_{WA}) 93,5 dB(A), osäkerhet (K) 3 dB(A)

Totala vibrationsvärden (vektorsumman av tre axlar) enligt EN 62841:

(a) 9,8 m/s², osäkerhet (K) 1,5 m/s²EG-försäkran om överensstämmelse
MASKINDIREKTIVET

BEW200 slipmaskin

Black & Decker garanterar att produkterna som beskrivs under "Tekniska data" uppfyller: 2006/42/EG, EN 62841-1:2015 + AC:2015 +A11:2022, EN62841-2-4:2014

De här produkterna överensstämmer även med direktiven 2014/30/EG och 2011/65/EU. Mer information får du genom att titta i slutet av bruksanvisningen eller genom att kontakta Black & Decker på följande adress.

Undertecknad är ansvarig för sammanställningen av tekniska data och gör denna försäkran för Black & Decker.

Patrick Diepenbach

Patrick Diepenbach
General Manager, Benelux
Black and Decker,
Egide Walschaertsstraat 14-18
2800 Mechelen, Belgien
23/09/2022

Garanti

Black & Decker är säker på kvaliteten hos denna produkt och erbjuder kunder 24 månaders garanti från inköpsdatumet.

Denna garanti är ett tillägg till dina lagstadgade rättigheter och påverkar inte dessa på något sätt. Garantin är giltig områden som tillhör medlemsstaterna i Europeiska unionen och det europeiska frihandelsområdet och Storbritannien.

För yrkande under garantin måste yrkandet vara in enlighet med Black & Deckers villkor och du kommer att behöva skicka in bevis på köpet till försäljaren eller en auktoriserad reparatör.

För yrkande under garantin måste yrkandet vara in enlighet med Black & Deckers villkor och du kommer att behöva skicka in bevis på köpet till försäljaren eller en auktoriserad reparatör. Villkoren för Black & Deckers 2-åriga garanti och var du hittar din närmaste auktoriserade reparatör kan fås på internet på www.2helpU.com, eller genom att kontakta ditt lokala Black & Decker-kontor på adressen som anges i denna bruksanvisning.

Besök vår webbplats www.blackanddecker.co.uk för att registrera din nya Black & Decker-produkt samt för att få information om nya produkter och specialerbjudanden.

(Översettelse av de opprinnelige instruksjonene)

Tiltenkt bruk

Din BLACK+DECKER BEW200 sandsliper er konstruert for sliping av treverk, metall, plast og malte overflater. Dette verktøyet er bare ment som et forbrukerverktøy.

Sikkerhetsinstruksjoner

Generelle sikkerhetsadvarsler for elektroverktøy



Advarsel! Les alle sikkerhetsanvisninger, instruksjoner, illustrasjoner og spesifikasjoner som følger dette elektriske verktøyet. Hvis advarslene og anvisningene nedenfor ikke overholdes, kan det medføre elektrisk støt, brann og/eller alvorlige personskader.

Ta vare på alle advarsler og instruksjoner for fremtidig bruk. Uttrykket "elektroverktøy" i alle advarslene nedenfor gjelder for strømdrevne elektroverktøy (med ledning) og batteridrevne elektroverktøy (uten ledning).

1. Sikkerhet i arbeidsområdet

- Hold arbeidsområdet rent og godt opplyst.** Rotete eller mørke områder er en invitasjon til ulykker.
- Ikke arbeid med elektroverktøy i eksplosjonsfarlige omgivelser, for eksempel der det finnes seg brennbare væsker, gass eller støv.** Elektrisk verktøy skaper gnister som kan antenne støv eller gasser.
- Hold barn og andre personer unna når du bruker et elektroverktøy.** Distraksjoner kan føre til at du mister kontrollen.

2. Elektrisk sikkerhet

- Støpselet til verktøyet må passe til stikkkontakten. Aldri modifier støpselet på noen måte. Ikke bruk adapterstøpsler til jordede elektriske verktøy.** Umodifiserte støpsler og stikkontakter som passer vil redusere risikoen for elektrisk sjokk.

- b. **Unngå kroppskontakt med jordede overflater som rør, radiatorer, komfyrer og kjøleskap.** Det er økt risiko for elektrisk støt dersom kroppen din er jordet.
- c. **Ikke utsett elektroverktøy for regn eller fuktighet.** Dersom det kommer vann inn i et elektrisk verktøy vil det øke risikoen for elektrisk sjokk.
- d. **Unngå uforsvarlig behandling av ledningen. Aldri bruk ledningen til å bære, trekke eller dra ut støpselet til det elektriske verktøyet. Hold ledningen borte fra varme, olje, skarpe kanter eller bevegelige deler.** Skadede eller innviklede ledninger øker risikoen for elektrisk sjokk.
- e. **Når du bruker et elektroverktøy utendørs, må du bruke en skjøteledning som er egnet til utendørs bruk.** Bruk av en skjøteledning beregnet for utendørs bruk reduserer risikoen for elektrisk støt.
- f. **Hvis du ikke kan unngå å bruke elektroverktøy på et fuktig sted, må du bruke en strømforsyning som er beskyttet med jordfeilbryter (RCD).** Bruk av jordfeilbryter (RCD) reduserer risikoen for elektrisk støt.

3. Personikkerhet

- a. **Vær oppmerksom, pass på hva du gjør, og vis fornuft når du arbeider med et elektroverktøy. Ikke bruk et elektrisk verktøy dersom du er trøtt eller er påvirket av medikamenter, narkotika eller alkohol.** Ett øyeblikks uoppmerksomhet under bruk av elektriske verktøy kan føre til alvorlig personskade.
- b. **Bruk personlig verneutstyr. Bruk alltid vernerbriller.** Verneutstyr slik som støvmaske, sklisikre vernesko, hjelm, eller hørselsvern brukt under passende forhold vil redusere personskader.
- c. **Forhindre utilsiktet start. Kontroller at bryteren står i posisjon "av" før du kobler til strømkilden og/eller batteripakken, og før du tar opp eller bærer verktøyet.** Å bære elektriske verktøy med fingeren på bryteren eller å sette inn støpselet mens elektriske verktøy har bryteren på øker faren for ulykker.
- d. **Fjern eventuelt innstillingsverktøy eller skruverktøy før du slår på elektroverktøyet.** Et skruverktøy eller en nøkkel som fortsatt er festet til en roterende del av elektroverktøyet, kan føre til personskade.
- e. **Ikke strekk deg for langt. Ha godt foffeste og stå støtt hele tiden.** Dette fører til at du har bedre kontroll over det elektriske verktøyet ved uventede situasjoner.
- f. **Bruk egnede klær. Ikke ha på deg løstsittende klær eller smykker. Hold hår, antrekk og hansker borte fra bevegelige deler.** Løstsittende klær, smykker og langt hår kan bli fanget opp av bevegelige deler.
- g. **Hvis det kan monteres støvavsug- og oppsamlingsinnretninger, må du forvisse deg om at disse er tilkoblet og brukes på riktig måte.** Bruk av støvoppsamlere kan redusere støvrelaterte farer.
- h. **Ikke la erfaring med hyppig bruk av verktøy la deg bli**

likegyldig og ignorere verktøyet sikkerhetsregler.

En uforsiktig handling kan føre til alvorlig personskade på brøkdelen av et sekund.

4. Bruk og behandling av elektroverktøy

- a. **Ikke bruk makt på elektroverktøyet. Bruk det elektriske verktøyet som situasjonen krever.** Det riktige elektriske verktøyet vil gjøre jobben bedre og tryggere ved den hastigheten det ble konstruert for.
 - b. **Ikke bruk elektroverktøyet hvis du ikke kan slå det på og av med bryteren.** Ethvert elektrisk verktøy som ikke kan kontrolleres med bryteren er farlig og må repareres.
 - c. **Trekk støpselet ut av stikkkontakten og/eller koble fra batteripakken på elektroverktøyet før du utfører innstillinger, bytter tilbehør eller legger elektroverktøyet bort for lagring.** Slike preventive sikkerhetsforanstaltninger reduserer risikoen for å starte det elektriske verktøyet ved et uhell.
 - d. **Elektroverktøy som ikke er i bruk, må oppbevares utilgjengelig for barn. Ikke la verktøyet bli brukt av personer som ikke er fortrolige med det, eller som ikke kjenner disse instruksjonene.** Elektriske verktøy er farlige i hendene på utrenede brukere.
 - e. **Sørg for vedlikehold av elektroverktøy og tilbehør. Undersøk om bevegelige deler er feiljustert eller blokkert, om deler er skadet, og om det er andre forhold som kan påvirke elektroverktøets funksjon. Dersom det er skadet, få verktøyet reparert før neste bruk.** Mange ulykker forårsakes av dårlig vedlikeholdte verktøy.
 - f. **Hold skjæreverktøy skarpe og rene.** Godt vedlikeholdte skjæreverktøy med skarpe skjærekanten setter seg mindre sannsynlig fast og er lettere å kontrollere.
 - g. **Bruk elektroverktøy, tilbehør, bits osv. i henhold til disse instruksjonene. Ta hensyn til arbeidsforholdene og arbeidet som skal utføres.** Bruk av det elektriske verktøyet for oppgaver som er forskjellige fra de som er tiltenkt kan føre til en farlig situasjon.
 - h. **Hold håndtakene og gripeflatene tørre, rene og frie for olje og fett.** Glatte håndtak og gripeflater forhindrer trygg håndtering og kontroll av verktøyet i uventede situasjoner.
- ### 5. Service
- a. **Elektroverktøyet skal repareres av kvalifisert personell og bare med originale reservedeler.** Dette vil sikre at verktøyet sikkerhet blir ivarett.

Ytterligere sikkerhetsadvarsler for elektroverktøy



Advarsel! Ekstra sikkerhetsvarsler for slipe-maskiner

- ◆ **Hold elektroverktøyet i de isolerte gripeoverflatene**

fordi usseflaten kan komme i kontakt med sin egen ledning. Kapping av en strømførende ledning kan føre til at eksponerte metalldele på elektroverktøyet blir strømførende, og kan gi operatøren støt.

- ◆ **Bruk klemmer eller en annen praktisk måte å feste og støtte arbeidsstykket på en stabil plattform.** Å holde arbeidsstykket i hendene eller mot kroppen er ustabil og kan føre til at du mister kontroll.
- ◆ **Advarsel! Kontakt med eller innånding av støv som oppstår ved pussing, kan være helseskadelig for brukeren og eventuelle personer i nærheten.** Bruk en støvmaske som er spesielt utformet for å beskytte mot støv og damp/gass, og pass på at personer som er i eller kommer inn i arbeidsområdet, også er beskyttet.
- ◆ **Fjern alt støv grundig etter sliping.**
- ◆ **Vær ekstra forsiktig når du pusser maling som kan inneholde bly, eller metall som avgir giftig støv:**
 - ◆ Ikke la barn eller gravide komme inn der du arbeider.
 - ◆ Du må ikke spise, drikke eller røyke der du arbeider.
 - ◆ Kvitt deg med støvpartikler eller annet avfall på en miljøvennlig måte.
- ◆ **Bruksområdet er beskrevet i denne bruksanvisningen.** Hvis du bruker annet tilbehør, kobler til annet utstyr eller bruker dette produktet til andre oppgaver enn det som er anbefalt i denne håndboken, kan det medføre fare for personskader og/eller materielle skader.

Andre personers sikkerhet

- ◆ Dette apparatet er ikke ment for bruk av personer (inkludert barn) med redusert fysiske, sensoriske eller mentale evner, eller mangel på erfaring og kunnskap, med mindre de får tilsyn eller har blitt opplært i bruk av apparatet av en person ansvarlig for deres sikkerhet.
- ◆ Barn må holdes under oppsyn, sørg for at de ikke leker med apparatet.

Andre risikoer.

Når verktøyet brukes, kan det oppstå ytterligere risikoer som kanskje ikke er beskrevet i de medfølgende sikkerhetsadvarslene. Disse risikoene kan bli forårsaket av feil bruk, langvarig bruk osv.

Selv om de relevante sikkerhetsbestemmelsene blir fulgt, og sikkerhetstiltakene blir gjennomført, kan visse gjenværende risikoer ikke unngås. Disse inkluderer:

- ◆ Personskader som forårsakes av berøring av en roterende/bevegelig del.
- ◆ Personskader som oppstår ved skifte av deler, blader eller tilbehør.
- ◆ Personskader som skyldes for lang tids bruk av verktøyet. Når du bruker et verktøy i lange perioder, må du sørge for å ta regelmessige pauser.
- ◆ Hørselskader.

- ◆ Helsefarer forårsaket av innånding av støv som utvikler seg når du bruker verktøyet (eksempel: arbeid med tre, spesielt eik, bøk og MDF.)

Vibrasjon

Vibrasjonsemissionsverdien som er angitt under tekniske data og samsvarserklæring, er blitt målt i henhold til en standard testmetode som er angitt i EN62841, og kan brukes til å sammenligne et verktøy med et annet. Den oppgitte vibrasjonsemissionsverdien kan også brukes til en foreløpig vurdering av eksponering.

Advarsel! Vibrasjonsemissionsverdien under faktisk bruk av elektroverktøyet kan avvike fra den oppgitte verdien avhengig av måten verktøyet blir brukt på. Vibrasjonsnivået kan øke over nivået som er oppgitt.

Når det vurderes vibrasjonseksponering for å avgjøre hvilke sikkerhetstiltak som kreves ifølge 2002/44/EF, for å beskytte personer som bruker elektroverktøy regelmessig til arbeidsformål, skal det, når vibrasjonseksponeringen anslås, tas hensyn til de faktiske bruksforholdene og måten verktøyet blir brukt på. Dette inkluderer å ta hensyn til alle deler av brukssyklusen, for eksempel når verktøyet er avslått, når det går på tomgang og når utløseren er trykket inn.

Etiketter på verktøyet

Følgende advarselssymboler vises på verktøyet sammen med datokoden:



Advarsel! Brukeren må lese håndboken for å redusere risikoen for personskade.

Elektrisk sikkerhet



Dette verktøyet er dobbeltisolert. Jording er derfor ikke nødvendig. Kontroller alltid at strømforsyningen samsvarer med spenningen på merkeskiltet.

- ◆ Hvis strømledningen blir skadet, må den byttes av produsenten eller et autorisert BLACK+DECKER-servicesenter for å unngå fare.

Funksjoner

Dette verktøyet har noen av eller alle følgende egenskaper.

1. På-/av-bryter
2. Motorbase
3. Eksenterslipebase
4. Stor detaljslipebase
5. Slipebasetupp
6. Detaljfingertilbehør
7. Støvbeholder

Montering

Advarsel! For monteringen må du passe på at verktøyet er slått av, og at støpselet er trukket ut.

Fjerne slipebaser (fig. A, B)

- ◆ For å fjerne slipebasen må du løsne låseskruen (9) fra slipebasen med den medfølgende unbrakonøkkelen (8), som vist i figur A.
- ◆ Trekk slipebasen ut av verktøyet, som vist i figur B.

Feste eksenterslipebasen (fig. C, C1)

- ◆ Hold verktøyet og slipebasen (3) vendt oppover som vist i fig. C.
- ◆ Trykk slipebasen ned til du hører den klikker på plass.
- ◆ Sett tilbake låseskruen (9) og fest den med unbrakonøkkelen (8), som vist i figur C.
- ◆ Bruk en skrutrekker (17) (medfølger ikke) til å låse slipebasen fast på plass mens du strammer låseskruen (9), som vist i figur C1.

Sette på slipepapir (fig. D)

- ◆ Hold verktøyet med slipebasen (3) vendt oppover.
- ◆ Legg slipepapiret (11) på slipebasen (3). Pass på at hullene i slipepapiret (hvis aktuelt) ligger rett over hullene i basen, som vist i figur D.

Stor detaljslipebase

Med denne slipebasen kan du bruke verktøyet som detaljsliper eller kantsliper.

Feste den store detaljslipebasen (fig. E, F, F1)

For detaljsliping skal den spisse enden peke forover (fig.E).

Hvis du skal slippe store overflater, skal den spisse enden peke bakover (fig. F).

- ◆ Fest slipebasen som beskrevet ovenfor, under «Feste eksenterslipebasen».
- ◆ Trykk slipebasen ned til du hører den klikker på plass.
- ◆ Sett tilbake låseskruen (9) og fest den med denmedfølgende unbrakonøkkelen (8).
- ◆ Bruk en skrutrekker (17) (medfølger ikke) til å låse slipebasen fast på plass mens du strammer låseskruen (9), som vist i figur F1.

Sette på slipepapir (fig. G)

- ◆ Ta av de to diamantformede hodene (14) fra slipepapiret (12).
- ◆ Hold verktøyet med slipebasen vendt oppover.
- ◆ Legg slipepapiret (12) på slipebasen. Pass på at hullene i slipepapiret (hvis aktuelt) ligger rett over hullene i basen.

Det diamantformede hodet (13) kan snus og byttes når den er utslitt.

- ◆ Når den fremre delen av hodet er slitt, tar du det av fra papiret, snur det og trykker det fast på slipebasen igjen.
- ◆ Når et helt hode er slitt, fjerner du det fra slipebasen og setter på et nytt diamantformet hode (13).

Tupp på slipebase (fig. H)

Når holderen til det diamantformede hodet (5) er slitt, kan det

byttes. Reservedeler fås hos BLACK+DECKER-forhandleren.

- ◆ Ta ut skruen (15).
- ◆ Bytt den slitte delen.
- ◆ Sett i og stram holdeskruen (15).

Fingertilbehør (fig. I)

Fingertilbehøret brukes til finere detaljsliping.

- ◆ Ta ut skruen (15).
- ◆ Ta av den diamantformede hodeholderen (5) fra slipebasen.
- ◆ Monter fingertilbehøret (6) på slipebasen.
- ◆ Sett i og stram holdeskruen (15).
- ◆ Monter riktig slipepapir (16) på fingertilbehøret.

Bruk

Advarsel! La verktøyet arbeide i sin egen hastighet. Må ikke overbelastes.

Advarsel! Ikke dekk til ventilasjonsåpningene når du bruker verktøyet. Pass på at slipebasen ligger flatt på arbeidsstykket.

- ◆ Oppbevar verktøyet med basen festet på.
- ◆ Hold hendene borte fra dreiemrådet på verktøyet.
- ◆ Ikke hvil fingrene på basen når maskinen er i bruk.

Slå på og av (figur J)

- ◆ Når du skal slå apparatet på, setter du strømbryteren (1) i posisjon.I.
- ◆ Når du skal slå apparatet av, setter du strømbryteren (1) i posisjon.O.

For å tømme støvbeholderen (fig. K)


Støvbeholderen (7) må tømmes hvert 10. minutt.

- ◆ Trekk støvbeholderen (7) tilbake og av verktøyet, bort fra koblingsporten (7a).
- ◆ Tøm ut i en egnet beholder og sett tilbake på verktøyet.

Tilbehør

Verktøyets ytelse avhenger av hva slags tilbehør som brukes. Tilbehør fra BLACK+DECKER er produsert etter høye kvalitetsstandarder og er konstruert for å bedre verktøyets ytelse. Hvis du bruker dette tilbehøret, får du mest mulig ut av verktøyet ditt.

Hvilket tilbehør som følger med slipemaskinen, avhenger av modellen du har kjøpt. Hvis du ønsker tilbehør som er oppgitt nedenfor, men som ikke følger med slipemaskinen, kan du gå til våre nettsider på www.blackanddecker.eu

Artikkel	Beskrivelse	Formål
	Slipebase for store detaljer (4).	For middels store til store områder. Slipebasen for store detaljer kan brukes til å slippe inn i hjørner og til kanten av arbeidsstykket.

	Eksenterslipebase (3).	For store områder. Eksenterslipebasen kan brukes til krumme overflater og når du trenger en overflate med høy kvalitet.
	Detaljfinger (6).	For små områder der det er vanskelig å komme til. Detaljfingeren kan brukes til lett sliping og sliping i hjørner.

Råd for optimal bruk

- ◆ For bedre komfort kan verktøyet brukes med en hånd eller begge hender (fig. L, M, N). Ikke blokker ventilasjonsåpningene med hendene.
- ◆ Ikke trykk for hardt på verktøyet.
- ◆ Sjekk slipepapirets tilstand regelmessig. Bytt etter behov.
- ◆ Slip alltid i treets fiberretning.
- ◆ Når du skal slippe nye malingsstrøk før du skal male et nytt strøk, bruker du ekstra finkornet slipepapir.
- ◆ å veldig ujevne overflater, eller når du skal fjerne flere lag med maling, begynner du med et grovere slipepapir. På andre overflater begynner du med et middels grovkornet slipepapir. I begge tilfeller bytter du gradvis til mer finkornet slipepapir for å få en glattere overflate.
- ◆ Kontakt forhandleren for å få mer informasjon om tilgjengelig tilbehør.

Vedlikehold

BLACK+DECKER-verktøyet ditt er konstruert for å være i drift over lengre tid med et minimum av vedlikehold. For at den skal fungere tilfredsstillende over tid, er det viktig å sørge for riktig stell av verktøyet og regelmessig renhold.

Advarsel! Før du utfører vedlikehold på verktøyet, må du koble fra og fjerne laderen før du rengjør det.

- ◆ Rengjør ventilasjonsåpningene i verktøyet jevnlig med en myk børste eller tørr klut.
- ◆ Rengjør motorhuset regelmessig med en fuktig klut. Ikke bruk slipende eller løsemiddelbaserte rengjøringsmidler.

Skifte støpsel (bare Storbritannia og Irland)

Dersom du trenger å sette på et nytt støpsel:

- ◆ Kast det gamle støpselet på en trygg måte.
- ◆ Koble den brune ledningen til den strømførende terminalen i det nye støpselet.
- ◆ Koble den blå ledningen til den nøytrale terminalen.

Advarsel! Jordingslederen skal ikke kobles til. Følg monteringsanvisningen som medfølger støpsler av god kvalitet. Anbefalt sikring: 5 A.

Miljøvern



Separat avfallshåndtering. Produkter og batterier merket med dette symbolet skal ikke kastes i vanlig husholdningsavfall.

Produkter og batterier inneholder materialer som kan

gjenbrukes eller gjenvinnes for å redusere behovet for nye råmaterialer.

Vennligst lever elektrisk utstyr og batterier til gjenbruk i henhold til lokale regler. Mer informasjon finner du på www.2helpU.com

Tekniske data

		BEW200
Inngangsspennning	V_{AC}	230
Inngangseffekt	W	200
Ubelastet hastighet	min^{-1}	12000
Vekt	kg	1.40 (med detaljbase), 1.34 (med ROS-base)

Lydtrykknivå i henhold til EN 62841:

Lydtrykk (L_{pA}) 85,5 dB(A), usikkerhet (K) 3 dB(A)

Lydeffekt (L_{WA}) 93,5 dB(A), usikkerhet (K) 3 dB(A)

Totale vibrasjonsverdier (triaks vektorsum) bestemt i samsvar med EN 62841:

(a) 9,8 m/s², usikkerhet (K) 1,5 m/s²

EU-samsvarserklæring MASKINDIREKTIVET



BEW200 Sandsliper

Black & Decker erklærer at disse produktene, som er beskrevet under "Tekniske data", er i samsvar med 2006/42/EF, EN 62841-1:2015 + AC:2015 + A11:2022 , EN62841-2-4:2014

Disse produktene er også i samsvar med direktiv 2014/30/EF og 2011/65/EU. Hvis du ønsker mer informasjon, kontakt Black & Decker på følgende adresse, eller se på baksiden av bruksanvisningen.

Undertegnede er ansvarlig for utarbeidelsen av den tekniske dokumentasjonen og gir denne erklæringen på vegne av Black & Decker.

Patrick Diepenbach

Patrick Diepenbach
General Manager, Benelux
Black and Decker,
Egide Walschaertsstraat 14-18
2800 Tessenenderlo, Belgia
23/09/2022

Garanti

Black & Decker er trygg på kvaliteten av produktene sine og tilbyr en 24 måneders garanti fra kjøpsdato. Denne garantierklæringen kommer i tillegg til dine lovbestemte rettigheter og er ikke i konflikt med disse. Garantien er gyldig innen områdene tilhørende medlemslandene i den Europeiske Union (EU) og det Europeiske Frihandelsområdet (EFTA) og Storbritannia.

For å ta garantien i bruk må kravet være i samsvar med kjøpsbetingelsene fra Black & Decker og du må vise kjøpskvittering til forhandleren eller til et autorisert serviceverksted.

Betingelsene for Black & Deckers 2 års garanti og adressen til din nærmeste autoriserte serviceverksted kan du finne på internett under www.2helpU.com, eller ved å kontakte ditt lokale Black & Decker-kontor på adressen angitt i denne bruksanvisningen.

Besøk våre nettsider på www.blackanddecker.co.uk for å registrere ditt nye Black & Decker-produkt og for å få informasjon om nye produkter og spesialtilbud.

Tilsluttet brug

Din BLACK+DECKER BEW200-slibemaskine er designet til slibning og pudsning af træ, metal, plastic og malede overflader. Værktøjet er kun beregnet til privat brug.

Sikkerhedsinstruktioner

Generelle sikkerhedsadvarsler vedrørende elværktøj



Advarsel! Læs alle sikkerhedsadvarsler, instruktioner, illustrationer og specifikationer, der følger med dette elværktøj. Hvis efterfølgende advarsler og instruktioner ikke følges, er der risiko for elektrisk stød, brand og alvorlige kvæstelser.

Gem alle advarsler og instruktioner til fremtidig reference.

Begrebet "elværktøj", der benyttes i nedenstående advarsler, henviser til netdrevet elværktøj (med netledning) eller batteridrevet elværktøj (uden netledning).

1. Sikkerhed i arbejdsområdet

- Hold arbejdsområdet rent og ordentligt oplyst.** Rodede eller mørke områder giver anledning til ulykker.
- Brug ikke elværktøj i eksplosive omgivelser, f.eks. hvor der er brændbare væsker, gasser eller støv.** Elværktøj danner gnister, der kan antænde støv eller dampe.

- Hold børn og andre personer i nærheden på afstand, når der arbejdes med elværktøj.** Distractioner kan medføre, at du mister kontrollen.

2. Elektricitet og sikkerhed

- Elværktøjets stik skal passe til kontakten. Stikket må aldrig modificeres på nogen måde. Undlad at bruge adapterstik sammen med (jordforbundne) elektrisk værktøj.** Umodificerede stik og dertil passende stikkontakter reducerer risikoen for elektrisk stød.
- Undgå kroppskontakt med jordforbundne overflader som f.eks. rør, radiatorer, komfurer og køleskabe.** Der er øget risiko for elektrisk stød, hvis din krop er jordforbundet.
- Udsæt ikke elværktøj for regn, og brug det ikke, hvor omgivelserne er våde.** Hvis der trænger vand ind i et elektrisk værktøj, øges risikoen for elektrisk stød.
- Pas på, at ledningen ikke beskadiges. Brug aldrig ledningen til at bære, trække værktøjet eller trække det ud af stikkontakten. Hold ledningen borte fra varme, olie, skarpe kanter og bevægelige dele.** Beskadigede eller sammenfiltrede ledninger øger risikoen for elektrisk stød.
- Hvis elværktøj benyttes i det fri, skal der benyttes en forlængerledning, som er godkendt til udendørs brug.** Brug af en ledning, der er egnet til udendørs brug, reducerer risikoen for elektrisk stød.
- Brug en strømkilde med fejlstrømsrelæ, hvis det er nødvendigt at anvende elværktøj på fugtige steder.** Ved at benytte en fejlstrømsafbryder reduceres risikoen for elektrisk stød.

3. Personssikkerhed

- Vær opmærksom, hold øje med, hvad du laver og brug elværktøjet fornuftigt. Betjen ikke værktøjet, hvis du er træt, påvirket af narkotika, alkohol eller medicin.** Et øjeblik uopmærksomhed under anvendelse af et elektrisk værktøj kan forårsage alvorlige kvæstelser.
- Brug personligt beskyttelsesudstyr. Bær altid beskyttelsesbriller.** Det er muligt at reducere risikoen for kvæstelser ved alt efter omstændighederne at anvende det passende sikkerhedsudstyr såsom støvmaske, skridsikre sikkerhedssko, sikkerhedshjelm eller høreværn.
- Træf forholdsregler, så utilsigtet start ikke er mulig. Kontrollér, at afbryderkontakten står på slukket, inden værktøjet tilsluttes strømkilden og/eller batteriet, samles op eller bæres.** Når elektrisk værktøj bæres med fingeren på kontakten eller tilsluttes, når kontakten er tændt, giver det anledning til ulykker.
- Fjern indstillingsnøgle eller skruenøgle, inden elværktøjet startes.** En skruenøgle eller anden nøgle, der bliver siddende på en roterende del af elektrisk værktøj, kan forårsage kvæstelser.

- e. **Stræk dig ikke for langt. Hold hele tiden en god fodstilling og balance.** Dette udgør at du har bedre kontrol over det elektriske værktøj, når uventede situationer opstår.
- f. **Brug egnet arbejdstøj. Bær ikke løst tøj eller smykker. Hold dit hår, tøj og handsker væk fra bevægelige dele.** Løstsiddende tøj, smykker eller langt hår kan blive fanget i bevægelige dele.
- g. **Hvis der kan monteres støvudsugnings- og opsamlingsudstyr, skal dette tilsluttes og benyttes korrekt.** Anvendelse af støvopsamlingsudstyr kan begrænse farer forårsaget af støv.
- h. **Lad ikke kendskab fra hyppig brug af værktøjer gøre dig uforsigtig og få dig til at ignorere principperne for værktøjsikkerhed.** En uforsigtig handling kan forårsage alvorlig personskade på en brøkdæl af et sekund.

- h. **Hold håndtagene og håndtagsfladerne tørre, rene og fri for olie og fedt.**
Glatte håndtag og håndtagsflader giver ikke en sikker håndtering og kontrol af værktøjet i uventede situationer.

5. Service

- a. **Lad kun fagkyndige personer reparere elværktøjet og benyt kun originale reservedele.**
Derved sikres det, at værktøjets driftssikkerhed opretholdes.

Yderligere sikkerhedsadvarsler for elværktøj



Advarsel! Yderligere sikkerhedsadvarsler for slibemaskiner

- ◆ **Hold det elektriske værktøj ved hjælp af gribeoverfladerne, fordi slibeoverfladen kan komme i kontakt med sin egen ledning.** Hvis man skærer i en strømførende ledning, bliver elværktøjets blottagte dele strømførende, så brugeren får stød.
- ◆ **Brug klemmer eller en anden praktisk måde på at sikre og understøtte arbejdsområdet til et stabilt underlag.** Hvis du holder fast i arbejdsområdet med din hånd eller krop, vil det være ustabil, og det kan medføre, at du mister kontrollen over det.
- ◆ **Advarsel! Kontakt med eller indånding af støvpartikler fra slibearbejde kan udgøre en fare for både brugerens og eventuelle omkringståendes helbred.** Bær en specielt designet støvmaske til beskyttelse mod støv og røg, og sørg for, at personer, der befinder sig på eller kommer ind på arbejdsområdet, også er beskyttet.
- ◆ **Man skal grundigt fjerne alt støv efter slibning.**
- ◆ **Man skal være specielt opmærksom ved slibning af maling, som er blybaseret, og ved slibning af nogle typer træ og metal, som kan frembringe giftigt støv:**
 - ◆ **Børn og gravide kvinder må ikke betræde arbejdsområdet.**
 - ◆ **Man må hverken spise, drikke eller ryge inden for arbejdsområdet.**
 - ◆ **Støvpartikler og andet affald skal bortskaffes på en sikker måde.**
- ◆ **Den tilsigtede anvendelse er beskrevet i denne betjeningsvejledning.**
Brug af ekstraudstyr eller tilbehør eller udførelse af andre opgaver med dette værktøj end de, der anbefales i denne vejledning, kan medføre risiko for personskade og/eller materiel skade.

Andres sikkerhed

- ◆ Dette udstyr er ikke beregnet til anvendelse af personer (inklusive børn) med nedsatte fysiske, sensoriske eller mentale handicaps eller med mangel på erfaringer eller viden, medmindre de er under overvågning eller har fået

4. Brug og vedligeholdelse af elværktøj

- a. **Overbelast ikke elværktøjet. Brug det elværktøj, der er bedst egnet til det arbejde, der skal udføres.**
Det korrekte elværktøj klarer opgaven bedre og mere sikkert med den effekt, som det er konstrueret til.
- b. **Brug ikke elværktøjet, hvis afbryderkontakten er defekt.** Alt elektrisk værktøj, der ikke kan kontrolleres med kontakten, er farligt og skal repareres.
- c. **Træk stikket ud af stikkontakten og/eller batteriet inden indstilling, tilbehørsudskiftning eller opbevaring af elværktøjet.** Sådanne forebyggende sikkerhedsforanstaltninger mindsker risikoen for, at værktøjet startes utilsigtet.
- d. **Opbevar ubenyttet elværktøj uden for børns rækkevidde. Lad aldrig personer, der ikke er fortrolige med elværktøjet, eller som ikke har læst denne vejledning, benytte maskinen.**
El-værktøj er farligt i hænderne på personer, som ikke er instrueret i brugen deraf.
- e. **Elværktøj og tilbehør skal vedligeholdes. Kontroller, om bevægelige dele er skæve og ikke sidder fast, og om delene er brækket eller beskadiget, så elværktøjets funktion påvirkes. Hvis det elektriske værktøj er beskadiget, skal det repareres før brug.**
Mange ulykker er forårsaget af dårligt vedligeholdt værktøj.
- f. **Hold skæreværktøj skarpt og rent.** Ordentligt vedligeholdt skæreværktøj med skarpe skærekanten har mindre tilbøjelighed til at binde og er lettere at styre.
- g. **Brug elværktøjet, tilbehøret, værktøjsindsatser osv. i overensstemmelse med disse instruktioner under hensyntagen til arbejdsforholdene og arbejdet, der skal udføres med værktøjet.** Brug af elektrisk værktøj til andre opgaver end dem, det er beregnet til, kan resultere i en farlig situation.

instruktioner i brugen af udstyret af en person, der er ansvarlig for deres sikkerhed.

- ◆ Børn skal holdes under opsyn, så det sikres, at de ikke leger med værktøjet.

Resterende risici

Der kan opstå yderligere, tilbageværende risici under brugen af apparatet, som muligvis ikke behandles i de vedlagte sikkerhedsadvarsler. Disse risici kan opstå pga. forkert anvendelse, langvarig brug etc. Selv ved overholdelse af relevante sikkerhedsforskrifter og anvendelse af sikkerhedsudstyr kan visse resterende risici ikke undgås.

Disse omfatter:

- ◆ Tilskadekomst forårsaget af berøring af roterende/bevægelige dele.
- ◆ Tilskadekomst forårsaget af udskiftning af dele, klinger eller tilbehør.
- ◆ Tilskadekomst forårsaget af langvarig brug af et værktøj. Husk at holde pause jævnligt ved brug af et apparat i længere tid.
- ◆ Hørenedsættelse.
- ◆ Sundhedsrisici forårsaget af indånding af støv, der genereres ved brug af værktøjet (eksempel: arbejde med træ, især, eg, bøg og MDF.)

Vibration

De angivne værdier for udsendelse af vibration anført under de tekniske data og overensstemmelseserklæringen er målt i henhold til standardtestmetoden i EN62841 og kan bruges til at sammenligne ét værktøj med et andet. Den angivne vibrationsemissionsværdi kan også bruges i forbindelse med en foreløbig vurdering af eksponeringen.

Advarsel! Værdien for vibrationsemission ved faktisk brug af elværktøjet kan afvige fra den angivne værdi afhængigt af måden, værktøjet anvendes på. Vibrationsniveauet kan overstige det angivne niveau. I vurderingen af eksponeringen for vibration med henblik på fastsættelse af sikkerhedsforanstaltninger som krævet i 2002/44/EF til beskyttelse af personer, der jævnligt anvender elværktøj i deres arbejde, skal der tages hensyn til de faktiske betingelser under brugen, og måden værktøjet bruges på, herunder alle arbejdsrytters afsnit, f.eks. perioder, hvor værktøjet er slukket, og hvor det kører i tomgang, tillige med startperioderne.

Mærkatet på værktøjet

Værktøjet er forsynet med følgende symboler samt datokoden:

Advarsel! Brugeren skal læse brugervejledningen for at reducere risikoen for kvæstelser.



Elektricitet og sikkerhed



Denne maskine er dobbelt isoleret. Derfor er jordledning ikke nødvendig. Kontrollér altid, at strømforsyningen svarer til spændingen på mærkepladen.

- ◆ Hvis netledningen beskadiges, skal den udskiftes af producenten eller et autoriseret BLACK+DECKER-værksted, så farlige situationer undgås.

Funktioner

Apparatet har nogle eller alle af de følgende funktioner.

1. Afbryderkontakt
2. Motorbase
3. Excentrisk ophængt slibefod
4. Slibefod til store dele
5. Slibefodsvipning
6. Detaljefingertilbehør
7. Støvbeholder

Samling

Advarsel! Kontroller før samling, at værktøjet er slukket og at stikket er taget ud af stikkontakten.

Afmontering af slibefod (fig. A, B)

- ◆ For at fjerne slibefoden skal du løsne låseskruen (9) fra slibefoden med den medfølgende indstiksnøgle (8), som vist i figur A.
- ◆ Træk slibefoden fra værktøjet, som vist i figur B.

Montering af excenterslibefoden (fig. C, C1)

- ◆ Hold værktøjet og slibefoden (3) opad som vist i figur C.
- ◆ Tryk slibefoden ned, til den klikker hørbart på plads.
- ◆ Sæt låseskruen (9) på plads og fastgør med den medfølgende indstiksnøgle (8), som vist i figur C.
- ◆ Brug en skruetrækker (17) (medfølger ikke) til at låse slibefoden på plads, mens du strammer låseskruen (9), som vist i figur C1.

Påsætning af slibebark (fig. D)

- ◆ Hold værktøjet med slibefoden (3) opad.
- ◆ Placer slibebarket (11) på slibefoden (3), og sørg for, at hullerne i arket (hvor relevant) passer med hullerne i foden, som vist i figur D.

Slibefod til store dele

Med denne slibefod kan værktøjet bruges som detaljesliber eller plansliber.

Montering af den store detaljeslibefod (fig. E, F, F1)

Ved detaljeslibning skal den spidse ende vende fremad (fig. E). Ved slibning af større områder skal den spidse ende vende bagud (fig. F).

- ◆ Monter slibefoden som beskrevet herover under "Montering af excenterslibefoden".
- ◆ Tryk slibefoden ned, til den klikker hørbart på plads.
- ◆ Sæt låseskruen (9) på plads og fastgør med den medfølgende indstiksnøgle (8).
- ◆ Brug en skruetrækker (17) (medfølger ikke) til at låse slibefoden på plads, mens du strammer låseskruen (9), som vist i figur F1.

Påsætning af slibebark (fig. G)

- ◆ Tag de to rombformede spidser (14) af slibebarket (12).
- ◆ Hold værktøjet med slibefoden opad.
- ◆ Placer slibebarket (12) på slibefoden, og sørg for, at hullerne i arket (hvor relevant) passer med hullerne i foden.

De rombformede spidser (13) kan vendes og udskiftes, når de bliver slidte.

- ◆ Når den forreste del af spidsen bliver slidt, kan den tages af arket, vendes og trykkes fast på slibefoden igen.
- ◆ Når hele spidsen er slidt, tages den af slibefoden, og en ny rombeformet spids (13) sættes på.

Slibefodens spids (fig. H)

Når holderen til den rombformede spids (5) er slidt, kan den udskiftes. Reservedele fås hos BLACK+DECKER-forhandleren.

- ◆ Fjern skruen (15).
- ◆ Udskift den slidte del.
- ◆ Sæt skruen i, og spænd den (15).

Fingertilbehør (fig. I)

Fingertilbehøret bruges til slibning af fine detaljer.

- ◆ Fjern skruen (15).
- ◆ Fjern holderen til den rombformede spids (5) fra slibefoden.
- ◆ Påsæt fingertilbehøret (6) på slibefoden.
- ◆ Sæt skruen i, og spænd den (15).
- ◆ Monter det ønskede slibebark (16) på slibefoden.

Anvendelse

Advarsel! Lad værktøjet arbejde i dets eget tempo. Det må ikke overbelastes.

Advarsel! Tildæk ikke ventilationsåbningerne, når værktøjet bruges. Kontroller, at slibefoden er placeret fladt mod materialet.

- ◆ Opbevar værktøjet med påmonteret fod.
- ◆ Hold hænderne væk fra værktøjets spindelområde.
- ◆ Sæt ikke fingrene på foden under brug.

Start og stop (fig. J)

- ◆ Sæt afbryderkontakten (1) på **I** for at tænde værktøjet.
- ◆ Sæt afbryderkontakten (1) på **O** for at slukke værktøjet.

Sådan tømmes støvbeholderen (fig. K)

Støvbeholderen (7) bør tømmes hvert 10. minut.


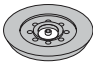

- ◆ Træk støvbeholderen (7) bagud og af værktøjet væk fra forbindelsesporten (7a).
- ◆ Tøm den i en passende beholder og sæt den på plads på værktøjet.

Tilbehør

Værktøjets ydeevne afhænger af det anvendte tilbehør.

Tilbehør fra BLACK+DECKER er fremstillet efter høje kvalitetsstandarder og er designet til at forbedre dit værktøjs ydeevne. Når du bruger dette tilbehør, vil værktøjet yde optimalt.

Det tilbehør, der følger med slibemaskinen, afhænger af den købte model. Gå ind på vores på website www.blackanddecker.eu, hvis du har behov for tilbehør, der er anført herunder, men som ikke følger med slibemaskinen

Del	Beskrivelse	Formål
	Slibefod til store dele (4).	Til mellemstore/store områder. Slibefoden til store dele kan bruges til slibning i hjørner og på kanten af arbejdsområdet.
	Excentrisk ophængt slibefod (3).	Til store områder. Den excentrisk ophængte slibefod kan bruges til buede flader, og når du har behov for en overflade af høj kvalitet.
	Detailfingerring (6).	Til små områder, der er vanskelige at komme til. Detailfingerringen kan bruges til let slibning og til slibning i hjørner.

Gode råd mhp. optimal brug

- ◆ Værktøjet kan betjenes med en eller begge hænder (fig. L, M, N) efter brugerens ønske. Sæt ikke hænderne over ventilationsåbningerne.
- ◆ Tryk ikke for kraftigt på værktøjet.
- ◆ Kontroller regelmæssigt slibebarkens tilstand. Udskift det, når det er nødvendigt.
- ◆ Slib altid med årene i træet.
- ◆ Anvend ekstra finkornet slibepapir mellem påføring af malingslag.
- ◆ På meget ujævne overflader, eller når man fjerner lag af maling, skal man starte med en grov kornstørrelse. På andre overflader startes der med en mellemfin kornstørrelse. I begge tilfælde skal du gradvist skifte til en fin kornstørrelse for at opnå en glat finish.
- ◆ Få flere oplysninger om tilgængeligt tilbehør hos detailhandleren.

Vedligeholdelse

Dit BLACK+DECKER-værktøj er beregnet til brug gennem

lang tid med et minimum af vedligeholdelse. Vedvarende tilfredsstillende funktion er afhængig af, om apparatet plejes korrekt og rengøres regelmæssigt.

Advarsel! Før udførelse af nogen form for vedligeholdelse på værktøjet: Tag laderen ud af stikkontakten, inden den rengøres.

- ◆ Rengør regelmæssigt værktøjets ventilationshuller med en blød børste eller en tør klud.
- ◆ Rengør med jævne mellemrum motorhuset med en fugtig klud. Der må ikke bruges skuremidler eller opløsningsmidler.

Udskiftning af netstik (kun Storbritannien og Irland)

Hvis et nyt lysnetstik skal monteres:

- ◆ Det gamle stik skal bortskaffes på en sikker måde.
- ◆ Slut den brune ledning til den strømførende klemme på det nye stik.
- ◆ Slut den blå ledning til den neutrale klemme.

Advarsel! Der skal ikke tilsluttes til jordklemmen. Følg de monteringsinstruktioner, der følger med stik af god kvalitet. Anbefalet sikring: 5 A.

Miljøbeskyttelse



Særskilt bortskaffelse. Produkter og batterier mærket med dette symbol må ikke bortskaffes sammen med normalt husholdningsaffald.

Produkter og batterier indeholder materialer, der kan genvindes eller genbruges og således reducere efterspørgslen efter råvarer.

Genbrug venligst elektriske produkter og batterier i henhold til lokale bestemmelser. Yderligere oplysninger findes på www.2helpU.com

Tekniske data

BEW200		
Indgangsspænding	V_{AC}	230
Effektindgang	W	200
Tomgangshastighed	min^{-1}	12000
Vægt	kg	1,40 (med detaljefod), 1,34 (med ROS-fod)

Lydtrykniveau i henhold til EN 62841:

Lydtryk (L_{pA}) 85,5 dB(A), usikkerhed (K) 3 dB(A)

Lydeffekt (L_{WA}) 93,5 dB(A), usikkerhed (K) 3 dB(A)

Samlede værdier for vibration (triaksial vektorsum) i henhold til EN 62841:

(a) 9,8 m/s², usikkerhed (K) 1,5 m/s²

EU-overensstemmelseserklæring

MASKINDIREKTIV



BEW200 Slibemaskine

Black & Decker erklærer, at produkterne beskrevet under "Tekniske data" er i overensstemmelse med 2006/42/EF, EN 62841-1:2015 + AC:2015 +A11:2022, EN62841-2-4:2014

Disse produkter er endvidere i overensstemmelse med direktiv 2004/108/EF og 2011/65/EU. Kontakt Black & Decker på nedenstående adresse eller se vejledningens bagside for at få flere oplysninger.

Undertegnede er ansvarlig for udarbejdelsen af de tekniske data og fremsætter denne erklæring på vegne af Black & Decker.

Patrick Diepenbach

Patrick Diepenbach
General Manager, Benelux
Black and Decker,
Egide Walschaertsstraat 14-18
2800 Tessenderlo, Belgien
23/09/2022

Garanti

Black & Decker er overbevist om den gode kvalitet af sine produkter og giver forbrugerne en garanti på 24 måneder fra købsdatoen. Garantien er et tillæg til forbrugers lovbestemte rettigheder og påvirker ikke disse. Garantien er gyldig inden for medlemsstaterne af Den Europæiske Union og Det Europæiske Frihandelsområde og Storbritannien. Når du gør krav på garantien, skal kravet være i overensstemmelse med Black & Decker vilkår og betingelser, og du skal indsende dokumentation for købet til sælgeren eller til en autoriseret reparatør.

Vilkår og betingelser for Black & Decker 2 års garanti og placeringen af dit nærmeste autoriserede serviceværksted kan fås på internettet på www.2helpU.com, eller ved at kontakte dit lokale Black & Decker kontor på den adresse, der er angivet i denne vejledning. Besøg venligst vores websted www.blackanddecker.co.uk for at registrere dit nye Black & Decker produkt og modtage opdateringer om nye produkter og specielle tilbud.

Käyttötarkoitus

BLACK+DECKER BEW200 -hiomakone on tarkoitettu puun, metallin, muovien ja maalipintojen hiomiseen ja kiillottamiseen. Tämä työkalu on tarkoitettu vain yksityiskäyttöön.

Turvallisuusohjeet

Sähkötyökalujen yleiset turvavaroitukset



Varoitus! Lue kaikki tämän sähkötyökalun mukana toimitetut varoitukset, käyttöohjeet ja tekniset tiedot. Alla olevien varoitusten ja ohjeiden noudattamisen laiminlyönti saattaa johtaa sähköiskuun, tulipaloon ja/tai vakavaan loukkaantumiseen.

Säästä kaikki varoitukset ja ohjeet tulevaa käyttöä varten.

Ohjeissa käytetty käsite "sähkötyökalu" tarkoittaa verkkokäyttöisiä sähkötyökaluja (verkkojohdolla varustettuja) ja akkukäyttöisiä sähkötyökaluja (ilman verkkojohtoa).

1. Työalueen turvallisuus

- Pidä työalue puhtaana ja hyvin valaistuna.**
Onnettomuuksia sattuu herkemmin epäsiistissä tai huonosti valaistussa ympäristössä.
- Älä käytä sähkötyökalua räjähdysalttiissa ympäristössä, jossa on syttyvää nestettä, kaasua tai pölyä.** Sähkötyökalujen aiheuttamat kipinät voivat sytyttää pölyn tai kaasut.
- Pidä lapset ja sivulliset loitolla sähkötyökalua käyttäessäsi.** Keskeyttämiskyvyn herpaantuminen voi aiheuttaa hallinnan menettämisen.

2. Sähköturvallisuus

- Sähkötyökalun pistokkeen on sovittava pistorasiaan. Älä koskaan tee pistokkeeseen mitään muutoksia. Älä yhdistä maadoitettua sähkötyökalua jatkojohtoon.** Sähköiskun vaara vähenee, jos pistokkeisiin ei tehdä muutoksia ja ne yhdistetään vain niille tarkoitettuihin pistorasioihin.
- Vältä koskettamasta maadoitettuja pintoja, kuten putkia, lämpöpattereita, liesiä tai jääkaappeja.** Voit saada sähköiskun, jos kehosi on maadoitettu.
- Älä altista sähkötyökalua sateelle tai kosteudelle.** Sähkötyökaluun menevä vesi lisää sähköiskun vaaraa.
- Älä käsittele virtajohtoa kovakouraisesti. Älä kannata työkaluja sähköjohdosta tai vedä pistoketta pistorasiasta sähköjohdon avulla.** Pidä sähköjohto kaukana kuumuudesta, öljystä, terävistä reunoista tai liikkuvista osista. Vaurioituneet tai sotkeutuneet johdot lisäävät sähköiskun vaaraa.
- Käyttäessäsi sähkötyökalua ulkona käytä ainoastaan ulkokäyttöön soveltuvaa jatkojohtoa.** Ulkokäyttöön tarkoitetun sähköjohdon käyttäminen vähentää sähköiskun vaaraa.

- Jos sähkötyökalua on välttämättä käytettävä kosteassa paikassa, käytä vikavirtasuojalla (RCD) suojattua virtalähdettä.** Tämä vähentää sähköiskun vaaraa.
- ### 3. Henkilöturvallisuus
- Ole valpas, keskity työhön ja noudata tervettä järkeä sähkötyökalun käytössä. Älä käytä tätä työkalua ollessasi väsynyt tai alkoholin, huumeiden tai lääkkeiden vaikutuksen alaisena.** Keskeyttämisen herpaantuminen hetkeksikin sähkötyökalua käytettäessä voi aiheuttaa vakavan henkilövahingon.
 - Käytä henkilökohtaisia suojavarusteita. Käytä aina suojalaseja.** Hengetysuojaimen, liukumattomien turvajalkineiden, kypärän ja kuulonsuojaimen käyttäminen vähentää henkilövahinkojen vaaraa.
 - Vältä tahatonta käynnistämistä. Varmista, että kytkin on OFF-asennossa, ennen kuin liität laitteen virtalähteeseen ja/tai akkuun, nostat laitteen tai kannat sitä.** Sähkötyökalun kantaminen sormi virtakytkimellä lisää onnettomuusvaaraa.
 - Irrota mahdollinen säätö- tai kiintoavain ennen kuin käynnistät sähkötyökalun.** Sähkötyökalun pyöriivään osaan kiinni jäänyt avain voi johtaa loukkaantumiseen.
 - Älä kurkotta. Huolehdi siitä, että sinulla on koko ajan tukeva jalansija ja hyvä tasapaino.** Näin voit hallita sähkötyökalua paremmin odottamattomissa tilanteissa.
 - Käytä tarkoitukseen soveltuvia vaatteita. Älä käytä löysiä vaatteita tai koruja. Pidä hiukset, vaatteet ja kädet loitolla liikkuvista osista.** Löysät vaatteet, korut tai pitkät hiukset voivat tarttua liikkuviin osiin.
 - Jos työkalun voi liittää pölynimuriin, tarkista, että liitos on tehty asianmukaisesti ja että laitteita käytetään oikealla tavalla.** Pölyn ottaminen talteen voi vähentää pölyn aiheuttamia vaaroja.
 - Vaikka käyttäisit usein työkaluja ja sinulla olisi niistä hyvä tuntemus, älä jätä lukematta työkalun turvallisuusohjeita.** Huolimattomuus voi johtaa vakaviin henkilövahinkoihin jopa sekunnin murto-osassa.
- ### 4. Sähkötyökalujen käyttö ja hoito
- Älä ylikuormita sähkötyökalua. Valitse käyttötarkoituksen kannalta oikea sähkötyökalu.** Sähkötyökalu toimii paremmin ja turvallisemmin, kun sitä käytetään sille suunniteltuun käyttötarkoitukseen.
 - Älä käytä sähkötyökalua, jota ei voida käynnistää ja pysäyttää virtakytkimestä.** Jos sähkötyökalua ei voi hallita kytkimen avulla, se on vaarallinen ja se on korjattava.
 - Irrota pistotulppa pistorasiasta ja/tai akku laitteesta ennen kuin suoritat säätöjä, vaihdat tarvikkeita tai siirrä sähkötyökalun varastoitavaksi.** Näin voit vähentää vahingossa käynnistymisen aiheuttaman

henkilövahingon vaaraa.

- d. **Säilytä sähkötyökalut poissa lasten ulottuvilta, kun niitä ei käytetä. Älä anna sähkötyökalua sellaisen henkilön käyttöön, joka ei tunne sitä tai joka ei ole tutustunut tähän käyttöohjeeseen.**
Sähkötyökalut ovat vaarallisia kouluttamattomien käyttäjien käsissä.
- e. **Hoida sähkötyökaluasi ja lisävarusteita huolella.**
Tarkista, että liikkuvat osat toimivat moitteettomasti ja etteivät ne ole puristuksessa. Tarkista myös, ettei työkalussa ei ole murtuneita tai vahingoittuneita osia, jotka saattaisivat vaikuttaa haitallisesti sen toimintaan. Jos havaitset vaurioita, korjauta sähkötyökalu ennen niiden käyttämistä. Huonosti kunnossapidetyt sähkötyökalut aiheuttavat onnettomuuksia.
- f. **Pidä leikkausterät terävinä ja puhtaina.** Kunnossa pidettyjen leikkaavia teräviä reunoja sisältävien työkalut todennäköisyys jumiutua vähenee, ja niitä on helpompi hallita.
- g. **Käytä sähkötyökaluja, tarvikkeita, vaihtoteriä yms. näiden ohjeiden mukaisesti. Ota tällöin huomioon työolosuhteet ja suoritettava toimenpide.** Jos sähkötyökalua käytetään näiden ohjeiden vastaisesti, voi syntyä vaaratilanne.
- h. **Pidä kahvat ja kädensijat kuivina ja puhtaina öljystä ja rasvasta.**
Liukkaat kahvat ja kädensijat estävät työkalun turvallisen käsittelyn ja hallinnan odottamattomissa tilanteissa.
5. **Huolto**
- a. **Korjauta sähkötyökalu koulutetulla ja ammattitaitoisella henkilöllä ja hyväksy korjauksiin vain alkuperäisiä varaosia.**
Tämä varmistaa sähkötyökalun turvallisuuden.

Sähkötyökalujen lisäturvavaroitukset



Varoitus! Lisäturvavaroitukset hiomakoneelle

- ◆ **Pidä sähkötyökalua vain sen eristetyistä tarttumapinnoista, koska hiomapinta saattaa osua omaan johtoonsa.**
Työkalun kosketus jännitteisen johtimen kanssa voi tehdä myös työkalun paljaista metalliosista jännitteisiä ja aiheuttaa sähköiskun käyttäjälle.
- ◆ **Käytä puristimia tai muuta käytännöllistä tapaa kiinnittää ja tukea työstökappale tukevalle alustalle.**
Työn pitäminen käsin tai vartaloa vasten on epävakaata ja saattaa johtaa kontrollin menetykseen.
- ◆ **Varoitusta Hiontatyöstä syntyvä pöly voi aiheuttaa terveyshaittoja käyttäjälle ja mahdollisille sivullisille.**
Käytä kasvosuojusta, joka on erityisesti tarkoitettu

suojaamaan pölyltä ja höyryiltä, ja varmista, että kaikki työskentelyalueella olevat ja sinne tulevat henkilöt käyttävät suojarusteita.

- ◆ **Poista pöly huolellisesti hiomisen jälkeen.**
- ◆ **Ole erityisen varovainen hioessasi liijyvä mahdollisesti sisältäviä maalipintoja tai puu- ja metallipintoja, joista voi irrota myrkyllistä hiomapölyä:**
 - ◆ **Älä päästä lapsia tai raskaana olevia naisia työalueelle.**
 - ◆ **Älä syö, juo tai tupakoi työalueella.**
 - ◆ **Hävität pöly ja muu jäte ympäristöystävällisesti.**
- ◆ **Tarkoitettu käyttö on kuvattu tässä käyttöohjeessa.**
Käytä työkalua ainoastaan sellaiseen työhön, johon se on tarkoitettu, ja käytä vain tässä käyttöohjeessa suositeltuja tarvikkeita ja lisälaitteita. Ohjeesta poikkeava käyttö voi aiheuttaa henkilö- ja/tai omaisuusvahinkoja.

Muiden henkilöiden turvallisuus

- ◆ Tätä laitetta ei ole tarkoitettu sellaisten henkilöiden (mukaan lukien lapset) käytettäväksi, joiden fyysiset, aistilliset tai henkiset kyvyt tai kokemus ja tietämys ovat rajalliset, ellei heidän turvallisuudestaan vastuussa oleva henkilö valvo tai ohjaa heitä laitteen käytössä.
- ◆ Lapsia tulee valvoa, jotta he eivät leikkisi laitteella.

Muut riskit.

Myös muut kuin turvavaroituksissa mainitut riskit ovat mahdollisia laitetta käytettäessä. Nämä riskit voivat liittyä muun muassa virheelliseen tai pitkäaikaiseen käyttöön. Tiettyjä jäännönsrkejä ei voi välttää, vaikka noudatetaan kaikkia turvamääräyksiä ja käytät turvalaitteita. Näitä ovat:

- ◆ Pyörievien tai liikkuvien osien koskettamisen aiheuttamat vahingot.
- ◆ Osia, teriä tai lisävarusteita vaihdettaessa aiheutuneet vahingot.
- ◆ Työkalun pitkäaikaisen käytön aiheuttamat vahingot. Varmista, että pidät säännöllisesti taukoja laitteen pitkäaikaisen käytön aikana.
- ◆ Kuulon heikkeneminen.
- ◆ Työkalua käytettäessä (esimerkiksi puuta, erityisesti tammea, pyökiä ja MDF-levyjä, käsiteltäessä) syntyneen pölyn sisäänhengityksen aiheuttamat terveysriskit.

Tärinä

Teknisissä tiedoissa ja vaatimustenmukaisuusvakuutuksessa ilmoitettu tärinäpäästöarvo on mitattu EN62841-standardin testausmenetelmän mukaisesti, ja arvoa voi käyttää työkalujen keskinäiseen vertailuun. Ilmoitettua tärinäpäästöarvoa voi käyttää myös altistumisen alustavaan arviointiin.

Varoitus! Sähkötyökalun käytön aikana mitattu todellinen tärinäpäästöarvo voi poiketa ilmoitetusta tärinäpäästöarvosta työkalun käyttötavan mukaan. Tärinätasoa voi olla ilmoitettua tasoa suurempi.

Kun tärinälle altistumista arvioidaan sen määrittämiseksi, mitä direktiivin 2002/44/EY mukaisia turvatoimenpiteitä vaaditaan sähkötyökaluja säännöllisesti käyttävien henkilöiden suojelemiseksi, tärinälle altistumisen arvioinnissa on otettava huomioon todelliset käyttöolosuhteet ja työkalun käyttötavat. Todellisen käytön lisäksi on kiinnitettävä huomiota myös siihen, milloin työkalu on sammutettuna tai se käy tyhjäkäynnillä.

Työkalun tarrat

Työkaluun on merkitty päivämääräkoodi sekä seuraavat varoitusmerkinnät:



Varoitus! Käyttäjän on luettava käyttöohje vahin-kojen välttämiseksi.

Sähköturvallisuus



Tämä laite on kaksoiseristetty, joten erillistä maadoitusta ei tarvita. Tarkista aina, että verkkovirran jännite vastaa tyyppikilpeen merkittyä jännitettä.

- ◆ Jos virtajohto vahingoittuu, sen vaihtaminen on turvallisuussyistä jätettävä valmistajan tai valtuutetun BLACK+DECKER-huollon tehtäväksi.

Yleiskuvaus

Tässä laitteessa on joitakin tai kaikki seuraavista ominaisuuksista.

1. Virtakytkin
2. Moottorialusta
3. Epäkeskahioma-alusta
4. Muotoiluhioma-alusta
5. Hioma-alustan kärki
6. Sormiosa yksityiskohtia varten
7. Pölysäiliö

Asennus

Varoitus! Varmista ennen kokoamista, että virta on katkaistu ja että virtajohto on irti pistorasiasta.

Hioma-alustojen irrottaminen (kuvat A, B)

- ◆ Poista hioma-alusta irrottamalla lukitusruuvi (9) hioma-alustasta pakkaukseen kuuluvalla koloavaimella (8) kuvan A mukaisesti.
- ◆ Vedä hioma-alusta työkalusta kuvan B mukaisesti.

Epäkeskahioma-alustan kiinnittäminen (kuvat C, C1)

- ◆ Pidä työkalua ja hioma-alustaa (3) siten, että ne ovat ylöspäin kuvan C mukaisesti.
- ◆ Paina hioma-alustaa alaspäin, kunnes se napsahtaa paikalleen.

- ◆ Asenna lukitusruuvi (9) takaisin paikoilleen ja kiinnitä se pakkaukseen kuuluvalla koloavaimella (8) kuvan C mukaisesti.
- ◆ Lukitse hioma-alusta paikoilleen kiristäen lukitusruuvit (9) ruuvimeisselillä (17) (ei kuulu pakkaukseen) kuvan C1 mukaisesti.

Hiomapaperien kiinnittäminen (kuva D)

- ◆ Pidä työkalua niin, että hioma-alusta (3) osoittaa ylöspäin.
- ◆ Aseta hiomapaperi (11) hioma-alustalle (3). Varmista, että paperissa olevat reiät (jos olemassa) ovat kohdakkain alustan reikien kanssa kuvan D mukaisesti.

Muotoiluhioma-alusta

Tämän hioma-alustan avulla voit käyttää työkalua yksityiskohtien hiomiseen tai tasoitushiomakoneena.

Muotoiluhioma-alustan kiinnittäminen (kuvat E, F, F1)

- Muotoiluhionnassa kärjen on oltava eteenpäin (kuva E). Suuria alueita hiottaessa kärjen on oltava taaksepäin (kuva F).
- ◆ Kiinnitä hioma-alusta edellä kohdassa ”Epäkeskahioma-alustan kiinnittäminen” kuvatulla tavalla.
 - ◆ Paina hioma-alustaa alaspäin, kunnes se napsahtaa paikalleen.
 - ◆ Asenna lukitusruuvi (9) takaisin paikoilleen ja kiinnitä se pakkaukseen kuuluvalla koloavaimella (8).
 - ◆ Lukitse hioma-alusta paikoilleen kiristäen lukitusruuvit (9) ruuvimeisselillä (17) (ei kuulu pakkaukseen) kuvan F1 mukaisesti.

Hiomapaperien kiinnittäminen (kuva G)

- ◆ Irrota hiomapaperista (12) kaksi vinoneliön muotoista kärkeä (14).
- ◆ Pidä työkalua niin, että hioma-alusta osoittaa ylöspäin.
- ◆ Aseta hiomapaperi (12) hioma-alustalle. Varmista, että paperissa olevat reiät (jos olemassa) ovat kohdakkain alustan reikien kanssa.

Vinoneliön muotoiset kärjet (13) voi kääntää ja vaihtaa, kun ne ovat kuluneet.

- ◆ Kun kärjen etuosa on kulunut, irrota se paperista, käännä se ja paina takaisin hioma-alustaan.
- ◆ Kun koko kärki on kulunut, poista se hioma-alustasta ja vaihda uuteen (13).

Hioma-alustan kärki (kuva H)

Kun vinoneliön muotoisen kärjen pidike (5) on kulunut, sen voi vaihtaa. Varaosia on saatavissa BLACK+DECKERin edustajalta.

- ◆ Poista ruuvi (15).
- ◆ Vaihda kulunut osa.
- ◆ Aseta kiinnitysruuvi (15) paikoilleen ja kiristä.

Sormiosa (kuva I)

Sormiosaa käytetään pienten yksityiskohtien hiomiseen.

- ◆ Poista ruuvi (15).
- ◆ Poista vinoneliön muotoisen kärjen pidike (5) hiomaluustasta.
- ◆ Aseta sormiosa (6) hioma-alustalle.
- ◆ Aseta kiinnitysruuvi (15) paikoilleen ja kiristä.
- ◆ Aseta haluttu hiomapaperi (16) sormiosaan.

Käyttö

Varoitus! Anna työkalun käydä omaan tahtiinsa. Älä ylikuormita sitä.

Varoitus! Älä peitä ilma-aukkoja työkalun käytön aikana.

Varmista, että hioma-alusta on tasaisesti työstökappaleessa.

- ◆ Säilytä työkalua alusta paikallaan.
- ◆ Pidä kätesi pois työkalun tappien alueelta.
- ◆ Älä laita sormia alustalle käytön aikana.

Käynnistys ja sammutus (kuva J)

- ◆ Käynnistä laite kääntämällä virrankatkaisija (1) asentoon I.
- ◆ Pysäytä laite kääntämällä virrankatkaisija (1) asentoon O.

Pölyssäiliön tyhjentäminen (kuva K)

Pölyssäiliö (7) on tyhjennettävä kymmenen minuutin välein.

- ◆ Vedä pölyssäiliötä (7) taaksepäin ja pois laitteesta liitännästä (7a) pois päin.
- ◆ Tyhjennä säiliö asianmukaiseen astiaan ja asenna se takaisin paikoilleen työkaluun.


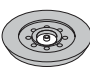

Lisävarusteet

Työkalun suorituskyky riippuu käytetystä lisävarusteesta.

Korkealaatuiset BLACK+DECKER-lisävarusteet on suunniteltu parantamaan työkalun suorituskykyä. Käyttämällä näitä lisävarusteita saat työkalustasi parhaan hyödyn.

Nauhahiomakoneen mukana toimitetut lisävarusteet vaihtelevat ostamasi mallin mukaan. Jos tarvitset alla mainitut lisävarusteet, jota ei ole toimitettu nauhahiomakoneen mukana,

käy verkkosivustollamme osoitteessa www.blackanddecker.eu

Tuote	Kuvake	Tarkoitus
	Muotoiluhioma-alusta (4).	Keskisuuria ja suuria alueita varten. Muotoiluhioma-alustaa voidaan käyttää työstökappaleen kulmien ja reunan hiomiseen.
	Epäkeskoihioma-alusta (3).	Suuria alueita varten. Epäkeskoihioma-alustaa voidaan käyttää kaarevien pintojen hiontaan ja korkealaatuiseen viimeistelyyn.
	Sormiosa yksityiskohtia varten (6).	Pieniä, vaikeapääsyisiä paikkoja varten. Sormiosaa yksityiskohtia varten voidaan käyttää kevyeen hiontaan ja kulmahiontaan.

Vinkkejä parhaimman tuloksen saavuttamiseksi

- ◆ Työkalua voidaan käyttää yhdellä kädellä tai molemmin käsin (kuvat L, M, N). Älä pidä käsiä ilma-aukkojen päällä.
- ◆ Älä paina työkalua liikaa.
- ◆ Tarkista hiomapaperin kunto säännöllisesti. Vaihda tarvittaessa.
- ◆ Hio aina puun syiden mukaisesti.
- ◆ Hiottaessa maalikerrosten välillä käytä erittäin hienoa hiomapaperia.
- ◆ Aloita karkealla hiomapaperilla hioessasi epätasaisia pintoja tai poistaessasi maalia. Kun hiot muunlaisia pintoja, aloita keskikarkealla hiomapaperilla. Molemmissa tapauksissa vaihda asteittain hienompaan hiomapaperiin tasaisen pinnan saavuttamiseksi.
- ◆ Saat lisätietoja saatavilla olevista tarvikkeista jälleenmyyjältäsi.

Huolto

BLACK+DECKER-työkalu on suunniteltu toimimaan mahdollisimman pitkän aikaa mahdollisimman vähällä huollolla. Oikea käsittely ja säännöllinen puhdistus varmistavat laitteen ongelmattoman toiminnan.

Varoitus! Ennen huoltamista ja puhdistamista laite on irrotettava laturista.

- ◆ Puhdista laitteen ilma-aukot säännöllisesti pehmeällä harjalla tai kuivalla rievulla.
- ◆ Puhdista moottorin kotelo säännöllisesti kostealla liinalla. Älä käytä hankaavia tai liuotinpohjaisia puhdistusaineita.

Varaverkkopistoke (vain Iso-Britannia ja Irlanti)

Jos uusi verkkopistoke täytyy asentaa:

- ◆ Hävitä vanha pistoke ympäristöystävällisesti.
- ◆ Liitä ruskea johto uuden pistokkeen jännitteeseen napaan.
- ◆ Liitä sininen johto tähtipisteliitimeen.

Varoitus! Maadoitusliitimeen ei tule tehdä liitoksia.

Noudata korkealaatuisten pistokkeiden mukana toimitettuja asennusohjeita. Suositeltu varoke: 5 A.

Ympäristönsuojelu



Toimita tämä laite erilliskeräykseen. Tällä symbolilla merkityjä tuotteita ja akkuja ei saa hävittää tavallisen kotitalousjätteen mukana.

Tuotteissa ja akkuissa on materiaaleja, jotka voidaan ottaa talteen tai kierrättää uudelleen käyttöä varten.

Kierrätä sähkölaitteet ja akut paikallisten määräyksien mukaan. Lisätietoja on saatavilla osoitteessa

www.2helpU.com

Tekniset tiedot

BEW200		
Syöttöjännite	V_{AC}	230
Ottotoho	W	200
Kuormittamaton nopeus	min^{-1}	12000
Paino	kg	1,40 (muotoiluhioma-alustalla), 1,34 (ROS-alustalla)

Äänenpainetaso, määritetty EN 62841 -standardin mukaan:

Äänenpaine (L_{pA}) 85,5 dB(A), epävarmuus (K) 3 dB(A)Äänitehotaso (L_{WA}) 93,5 dB(A), epävarmuus (K) 3 dB(A)

Tärinän kokonaisarvot (vektorisumma) standardin EN 62841 mukaisesti:

(a) 9,8 m/s², epävarmuus (K) 1,5 m/s²

EY-vaatimustenmukaisuusvakuutus

KONEDIREKTIIVI



BEW200 Hiomakone

Black & Decker ilmoittaa, että tuotteet, jotka on kuvattu kohdassa Tekniset tiedot, täyttävät seuraavien direktiivien vaatimukset:

2006/42/EY, EN 62841-1:2015 + AC:2015 + A11:2022 ,
EN62841-2-4:2014

Nämä tuotteet täyttävät myös direktiivien 2014/30/EY ja 2011/65/EU vaatimukset. Lisätietoja saa ottamalla yhteyden Black & Deckeriin seuraavassa osoitteessa. Tiedot ovat myös käyttöoppaan takakannessa.

Allekirjoittanut vastaa teknisten tietojen kokoamisesta ja antaa tämän ilmoituksen Black & Deckerin puolesta.

Patrick Diepenbach

Patrick Diepenbach
Pääjohtaja, Benelux
Black and Decker,
Egide Walschaertsstraat 14-18
2800 Mechelen, Belgia
23/09/2022

Takuu

Black & Decker on vakuuttanut tuotteidensa korkeasta laadusta ja tarjoaa kuluttajille 24 kuukauden takuun, joka astuu voimaan ostopäivänä. Takuu on lisäys kuluttajan lailisiin oikeuksiin eikä vaikuta niihin. Tämä takuu on voimassa kaikissa EU- ja ETA-maissa ja Yhdistynyt kuningaskunta. Edellytyksenä takuun saamiselle on, että vaade täyttää Black

& Decker ehdot ja että ostaja toimittaa ostotositteen jälleennyhjälle tai valtuutetulle huoltoliikkeelle.

Black & Deckerin 2 vuoden takuun ehdot ja lähimmän valtuutetun korjauspalvelun yhteystiedot ovat saatavilla osoitteessa www.2helpU.com tai ottamalla yhteyttä paikalliseen Black & Deckerin toimipisteeseen tässä ohjekirjassa ilmoitetuihin osoitteisiin.

Käy verkkosivuillemme osoitteessa www.blackanddecker.co.uk ja rekisteröi uusi Black & Decker -tuotteesi saadaksesi tietoa uusista tuotteista ja erikoistarjouksista.

(Μετάφραση των πρωτότυπων οδηγιών)

ΕΛΛΗΝΙΚΑ

Προβλεπόμενη χρήση

Το τριβείο σας BLACK+DECKER BEW200 έχει σχεδιαστεί για το γυαλοχάρτισμα και το γυάλισμα ξύλου, μετάλλου, πλαστικών και βαμμένων επιφανειών. Αυτό το εργαλείο προορίζεται μόνο για καταναλωτική χρήση.

Οδηγίες ασφαλείας

Γενικές προειδοποιήσεις ασφαλείας για ηλεκτρικά εργαλεία



Προειδοποίηση! Διαβάστε όλες τις προειδοποιήσεις ασφαλείας, τις οδηγίες, τις απεικονίσεις και τις προδιαγραφές που συνοδεύουν αυτό το ηλεκτρικό εργαλείο. Η μη τήρηση των παρακάτω προειδοποιήσεων και οδηγιών μπορεί να προκαλέσει ηλεκτροπληξία, πυρκαγιά και/ή σοβαρές σωματικές βλάβες.

Φυλάξτε όλες τις προειδοποιήσεις και τις οδηγίες για μελλοντική αναφορά. Ο όρος "ηλεκτρικό εργαλείο" που χρησιμοποιείται σε όλες τις παρακάτω προειδοποιήσεις, αναφέρεται είτε σε εργαλείο που λειτουργεί με ρεύμα δικτύου (ρεύματος - με καλώδιο) είτε σε εργαλείο που λειτουργεί με μπαταρία (μπαταρίας - χωρίς καλώδιο).

1. Ασφάλεια χώρου εργασίας

- Διατηρείτε το χώρο εργασίας καθαρό και καλά φωτισμένο.** Οι ατακτοποιητοί ή σκοτεινοί χώροι γίνονται αιτίες ατυχημάτων.
- Μη χρησιμοποιείτε ηλεκτρικά εργαλεία σε περιβάλλον όπου υπάρχει κίνδυνος έκρηξης, όπως με παρουσία εύφλεκτων υγρών, αερίων ή σκόνης.** Τα ηλεκτρικά εργαλεία παράγουν σπινθήρες που μπορεί να προκαλέσουν ανάφλεξη της σκόνης ή των αναθυμιάσεων.
- Όταν χρησιμοποιείτε ηλεκτρικό εργαλείο, κρατάτε μακριά τα παιδιά και άλλα άτομα.** Παράγοντες που αποσπούν την προσοχή μπορεί να σας κάνουν να χάσετε τον έλεγχο.

2. Ασφαλής χρήση ηλεκτρικού ρεύματος

- α. Τα φως των ηλεκτρικών εργαλείων πρέπει να ταιριάζουν στην πρίζα. Σε καμία περίπτωση μην τροποποιήσετε το φως, με κανένα τρόπο. Μη χρησιμοποιείτε φως προσαρμογής με γειωμένα ηλεκτρικά εργαλεία.** Τα φως που δεν έχουν υποστεί τροποποιήσεις και οι κατάλληλες πρίζες μειώνουν τον κίνδυνο ηλεκτροπληξίας.
- β. Αποφεύγετε την επαφή του σώματός σας με γειωμένες επιφάνειες, όπως σωλήνες, καλοριφέρ, κουζίνες και ψυγεία.** Υπάρχει αυξημένος κίνδυνος ηλεκτροπληξίας αν το σώμα σας είναι γειωμένο.
- γ. Μην εκθέτετε τα ηλεκτρικά εργαλεία σε βροχή ή υγρασία.** Η διείσδυση νερού σε ένα ηλεκτρικό εργαλείο αυξάνει τον κίνδυνο ηλεκτροπληξίας.
- δ. Μην κακομεταχειρίζεστε το καλώδιο. Ποτέ μη χρησιμοποιήσετε το καλώδιο για να μεταφέρετε, να τραβήξετε ή να αποσυνδέσετε από την πρίζα το ηλεκτρικό εργαλείο. Κρατάτε το καλώδιο μακριά από θερμότητα, λάδια, αιχμηρά άκρα ή κινούμενα μέρη. Τα καλώδια που έχουν υποστεί ζημιά ή είναι μπερδεμένα αυξάνουν τον κίνδυνο ηλεκτροπληξίας.**
- ε. Όταν χρησιμοποιείτε ηλεκτρικό εργαλείο σε εξωτερικούς χώρους, να χρησιμοποιείτε πάντοτε καλώδιο επέκτασης κατάλληλο για εργασία σε εξωτερικούς χώρους.** Η χρήση καλωδίου κατάλληλου για εργασία σε εξωτερικούς χώρους μειώνει τον κίνδυνο ηλεκτροπληξίας.
- στ. Εάν είναι αναπόφευκτη η χρήση ενός ηλεκτρικού εργαλείου σε συνθήκες υγρασίας, χρησιμοποιήστε μια διάταξη προστασίας από ρεύμα διαρροής (RCD). Η χρήση μιας διάταξης RCD μειώνει τον κίνδυνο ηλεκτροπληξίας.**
- 3. Προσωπική ασφάλεια**
- α. Όταν χρησιμοποιείτε ηλεκτρικό εργαλείο, να είστε σε εγρήγορση, να συγκεντρώνετε στην εργασία που κάνετε και να επιστρατεύετε την κοινή λογική. Μη χρησιμοποιείτε ηλεκτρικό εργαλείο όταν είστε κουρασμένος/η υπό την επήρεια ναρκωτικών, οινοπνεύματος ή φαρμακευτικής αγωγής.** Μια στιγμή απροσεξίας κατά τη χρήση ηλεκτρικών εργαλείων μπορεί να προκαλέσει σοβαρό τραυματισμό.
- β. Να χρησιμοποιείτε ατομικό εξοπλισμό προστασίας. Πάντα φοράτε προστασία ματιών.** Ο εξοπλισμός προστασίας, όπως μάσκα κατά της σκόνης, αντιολισθητικά παπούτσια ασφαλείας, κράνος ή προστασία ακοής, όταν χρησιμοποιείται για τις κατάλληλες συνθήκες, θα μειώσει τους τραυματισμούς και τις σωματικές βλάβες.
- γ. Αποτρέψτε την ακούσια ενεργοποίηση. Βεβαιωθείτε ότι ο διακόπτης βρίσκεται στη θέση απενεργοποίησης, πριν συνδέσετε το εργαλείο στην**

- πηγή ρεύματος και/ή τοποθετήσετε το πακέτο μπαταρίας, καθώς και πριν πάρετε στα χέρια σας ή μεταφέρετε το εργαλείο.** Η μεταφορά ηλεκτρικών εργαλείων με το δάχτυλο πάνω στο διακόπτη ή η σύνδεση στο ρεύμα ηλεκτρικών εργαλείων με το διακόπτη στη θέση ενεργοποίησης, ενέχει κινδύνους ατυχημάτων.
- δ. Πριν θέσετε το ηλεκτρικό εργαλείο σε λειτουργία, αφαιρέστε τυχόν εργαλεία ή κλειδιά ρύθμισης.** Εάν αφήσετε ένα εργαλείο ή κλειδί πάνω σε κάποιο περιστρεφόμενο εξάρτημα του ηλεκτρικού εργαλείου, μπορεί να προκληθούν τραυματισμοί.
- ε. Μην τεντώνετε υπερβολικά. Διατηρείτε πάντα σταθερή στήριξη στα πόδια σας και καλή ισορροπία.** Έτσι μπορείτε να έχετε καλύτερο έλεγχο του ηλεκτρικού εργαλείου σε μη αναμενόμενες καταστάσεις.
- στ. Φοράτε κατάλληλη ενδυμασία εργασίας. Μη φοράτε φαρδιά ρούχα ούτε κοσμήματα. Κρατάτε τα μαλλιά, τα ρούχα και τα γάντια σας μακριά από κινούμενα μέρη. Τα φαρδιά ρούχα, τα κοσμήματα και τα μακριά μαλλιά μπορούν να πιαστούν σε κινούμενα μέρη.**
- ζ. Αν παρέχονται διατάξεις για τη σύνδεση συστημάτων απομάκρυνσης και συλλογής της σκόνης, βεβαιωθείτε ότι αυτές είναι συνδεδεμένες και χρησιμοποιούνται σωστά.** Η χρήση διατάξεων συλλογής της σκόνης μπορεί να μειώσει τους κινδύνους που προέρχονται από τη σκόνη.
- η. Μην αφήνετε την εξοικείωση που έχετε αποκτήσει στην απόλυτη χρήση εργαλείων να σας επιτρέψει να εφησυχάσετε ώστε να αγνοείτε τις αρχές ασφαλούς χρήσης των εργαλείων.** Μια απρόσεκτη ενέργεια μπορεί να προκαλέσει βαρύ τραυματισμό μέσα σε κλάσματα του δευτερολέπτου.

4. Χρήση και φροντίδα ηλεκτρικών εργαλείων

- α. Μην υπερφορτώνετε το ηλεκτρικό εργαλείο.** Χρησιμοποιείτε το σωστό ηλεκτρικό εργαλείο για την εφαρμογή σας. Το σωστό ηλεκτρικό εργαλείο θα εκτελέσει την εργασία καλύτερα και ασφαλέστερα, με την ένταση χρήσης για την οποία σχεδιάστηκε.
- β. Μη χρησιμοποιήσετε το ηλεκτρικό εργαλείο αν ο διακόπτης του δεν μπορεί να το ενεργοποιεί και απενεργοποιεί.** Ένα ηλεκτρικό εργαλείο του οποίου η λειτουργία δεν μπορεί να ελεγχθεί με το διακόπτη είναι επικίνδυνο και πρέπει να επισκευαστεί.
- γ. Αποσυνδέστε το φως από την πηγή ρεύματος και/ή το πακέτο μπαταρίας από το ηλεκτρικό εργαλείο, πριν διεξαγάγετε οποιαδήποτε ρύθμιση, αλλαγή αξεσουάρ ή όταν πρόκειται να αποθηκεύσετε το ηλεκτρικό εργαλείο.** Τέτοια προληπτικά μέτρα ασφαλείας μειώνουν τον κίνδυνο αβέλτηρης εκκίνησης του ηλεκτρικού εργαλείου.
- δ. Να φυλάσσετε μακριά από παιδιά τα ηλεκτρικά εργαλεία που δεν χρησιμοποιείτε. Μην αφήνετε να**

χρησιμοποιήσουν ηλεκτρικό εργαλείο άτομα που δεν είναι εξοικειωμένα με αυτό ή άτομα που δεν έχουν διαβάσει αυτές τις οδηγίες χρήσης.

Τα ηλεκτρικά εργαλεία είναι επικίνδυνα στα χέρια μη εκπαιδευμένων χρηστών.

- ε. Συντηρείτε τα ηλεκτρικά εργαλεία και τα αξεσουάρ.** Ελέγχετε για προβλήματα ευθυγράμμισης ή για μάγκωμα των κινούμενων εξαρτημάτων, θραύση εξαρτημάτων, καθώς και για οποιοδήποτε άλλο πρόβλημα μπορεί να επηρεάσει τη λειτουργία των ηλεκτρικών εργαλείων. Αν το ηλεκτρικό εργαλείο έχει υποστεί ζημιά, φροντίστε να επισκευαστεί πριν το χρησιμοποιήσετε. Η ανεπαρκής συντήρηση των ηλεκτρικών εργαλείων αποτελεί αιτία πολλών ατυχημάτων.
- στ. Διατηρείτε τα κοπτικά εργαλεία κοφτερά και καθαρά.** Τα κοπτικά εργαλεία με κοφτερές κοπτικές αιχμές που συντηρούνται σωστά έχουν λιγότερες πιθανότητες να μαγκώσουν και ελέγχονται ευκολότερα.
- ζ. Να χρησιμοποιείτε το ηλεκτρικό εργαλείο, τα αξεσουάρ και τις μύτες του εργαλείου κλπ. σύμφωνα με τις παρούσες οδηγίες, λαμβάνοντας υπόψη σας τις συνθήκες εργασίας και την εργασία που θέλετε να εκτελέσετε.** Η χρήση του ηλεκτρικού εργαλείου για εργασίες διαφορετικές από τις προβλεπόμενες θα μπορούσε να οδηγήσει σε επικίνδυνη κατάσταση.
- η. Διατηρείτε τις λαβές και τις επιφάνειες κρατήματος στεγνές, καθαρές και απαλλαγμένες από λάδι και γράσο.** Οι ολισθηρές λαβές και επιφάνειες κρατήματος δεν επιτρέπουν τον ασφαλή χειρισμό και έλεγχο του εργαλείου σε μη αναμενόμενες καταστάσεις.
- 5. Σέρβις**
- α. Αναθέτετε το σέρβις του ηλεκτρικού σας εργαλείου σε εξειδικευμένο τεχνικό επισκευών που χρησιμοποιεί μόνο γνήσια ανταλλακτικά.** Έτσι θα εξασφαλίσετε τη διατήρηση της ασφάλειας του ηλεκτρικού εργαλείου.

Πρόσθετες προειδοποιήσεις ασφαλείας για ηλεκτρικά εργαλεία



Προειδοποίηση! Πρόσθετες προειδοποιήσεις ασφαλείας για τριβεία

- ♦ Κρατάτε το ηλεκτρικό εργαλείο από μονωμένες επιφάνειες κρατήματος, επειδή η επιφάνεια γυαλοχαρτίσματος μπορεί να έρθει σε επαφή με το ίδιο του το καλώδιο. Η κοπή ενός ηλεκτροφόρου καλωδίου μπορεί να καταστήσει και τα εκτεθειμένα μεταλλικά μέρη του ηλεκτρικού εργαλείου ηλεκτροφόρα και να προκαλέσει ηλεκτροπληξία στο χειριστή του.

- ♦ Χρησιμοποιείτε σφιγκτήρες ή άλλο πρακτικό μέσο για να στερεώνετε και να στηρίζετε το τεμάχιο εργασίας σε σταθερό υπόβαθρο. Αν κρατάτε το τεμάχιο εργασίας με το χέρι σας ή κόντρα στο σώμα σας, αυτό δεν είναι σταθερό και μπορεί να προκληθεί απώλεια ελέγχου.
- ♦ Προειδοποίηση! Η επαφή με τη σκόνη που δημιουργούν οι εφαρμογές γυαλοχαρτίσματος ή η εισπνοή της σκόνης αυτής μπορεί να ενέχει κίνδυνο για την υγεία του χειριστή και των ατόμων που ενδεχομένως παρευρίσκονται. Φορέστε μάσκα σκόνης ειδικά σχεδιασμένη για προστασία από τη σκόνη και τις αναθυμιάσεις και βεβαιωθείτε ότι τα άτομα που βρίσκονται ή εισέρχονται στο χώρο εργασίας είναι επίσης προστατευμένα.
- ♦ Μετά τη λείανση, καθαρίστε καλά τη σκόνη.
- ♦ Να προσέχετε ιδιαίτερα κατά τη λείανση χρωμάτων, τα οποία ενδέχεται να έχουν ως βάση το μόλυβδο ή κατά τη λείανση ορισμένων ειδών ξύλου και μετάλλου, τα οποία ενδέχεται να παράγουν τοξική σκόνη:
 - ♦ Μην αφήνετε παιδιά ή εγκύους να εισέρχονται στην περιοχή εργασίας.
 - ♦ Μην τρώτε, πίνετε ή καπνίζετε στο χώρο εργασίας.
 - ♦ Συγκεντρώστε όλη τη σκόνη και τα άλλα υπολείμματα και απορρίψτε τα με τον κατάλληλο τρόπο.
- ♦ Η προβλεπόμενη χρήση περιγράφεται στο παρόν εγχειρίδιο οδηγιών. Η χρήση οποιοδήποτε αξεσουάρ ή προσαρτήματος ή η εκτέλεση με αυτό το εργαλείο οποιασδήποτε εργασίας διαφορετικής από αυτές που συνιστώνται στο παρόν εγχειρίδιο οδηγιών ενδέχεται να εγκυμονεί κίνδυνο σωματικής βλάβης και/ή υλικών ζημιών.

Ασφάλεια τρίτων

- ♦ Η συσκευή αυτή δεν προορίζεται για χρήση από άτομα (περιλαμβανομένων παιδιών) με μειωμένες σωματικές, αισθητηριακές ή πνευματικές ικανότητες, ή με έλλειψη εμπειρίας και γνώσης, εκτός αν σε αυτά έχει παρασχεθεί από άτομο υπεύθυνο για την ασφάλειά τους επίβλεψη ή εκπαίδευση σχετικά με τη χρήση της συσκευής.
- ♦ Τα παιδιά θα πρέπει να βρίσκονται υπό επίβλεψη ώστε να διασφαλίζεται ότι δεν παίζουν με τη συσκευή.

Υπολειπόμενοι κίνδυνοι.

Κατά τη χρήση του εργαλείου μπορεί να δημιουργηθούν πρόσθετοι υπολειπόμενοι κίνδυνοι, οι οποίοι ενδέχεται να μη συμπεριλαμβάνονται στις προειδοποιήσεις ασφαλείας που εσωκλείονται. Αυτοί οι κίνδυνοι μπορεί να προκληθούν από κακή χρήση, παρατεταμένη χρήση κλπ. Παρά την εφαρμογή των σχετικών κανονισμών ασφαλείας και τη χρήση διατάξεων ασφαλείας, ορισμένοι υπολειπόμενοι κίνδυνοι δεν είναι δυνατό να αποφευχθούν. Σε αυτούς περιλαμβάνονται:

- ◆ Τραυματισμοί από επαφή με οποιαδήποτε περιστρεφόμενα/κινούμενα μέρη.
- ◆ Τραυματισμοί κατά την αλλαγή οποιωνδήποτε εξαρτημάτων, λεπίδων ή αξεσουάρ.
- ◆ Σωματικές βλάβες από παρατεταμένη χρήση εργαλείου. Όταν χρησιμοποιείτε οποιοδήποτε εργαλείο για παρατεταμένα χρονικά διαστήματα, μην παραλείπετε με κανένα τρόπο να κάνετε τακτικά διαλείμματα.
- ◆ Βλάβη της ακοής.
- ◆ Κίνδυνοι στην υγεία που προκαλούνται από την επισπονή σκόνης όταν χρησιμοποιείτε το εργαλείο (παραδείγματα: όταν επεξεργάζεστε ξύλο, ειδικά δρυ, οξιά και MDF).

Κραδασμοί

Η δηλωμένη τιμή εκπομπής κραδασμών που αναφέρεται στα τεχνικά χαρακτηριστικά και τη δήλωση συμμόρφωσης έχει μετρηθεί σύμφωνα με τυποποιημένη μέθοδο δοκιμής που προβλέπεται από το πρότυπο EN62841 και μπορεί να χρησιμοποιηθεί για τη σύγκριση ενός εργαλείου με ένα άλλο. Η δηλωμένη τιμή εκπομπής κραδασμών μπορεί επίσης να χρησιμοποιηθεί σε έναν προκαταρκτικό προσδιορισμό της έκθεσης σε κραδασμούς.

Προειδοποίηση! Στην πράξη, η τιμή εκπομπής κραδασμών κατά την χρήση του ηλεκτρικού εργαλείου μπορεί να διαφέρει από την τιμή που δηλώθηκε, ανάλογα με τον τρόπο που χρησιμοποιείται το εργαλείο. Το επίπεδο κραδασμών μπορεί να αυξηθεί πάνω από το επίπεδο που έχει δηλωθεί. Κατά τον προσδιορισμό της έκθεσης σε κραδασμούς για τον καθορισμό των απαιτούμενων μέτρων ασφαλείας σύμφωνα με την οδηγία 2002/44/EK για την προστασία προσώπων που χρησιμοποιούν συχνά ηλεκτρικά εργαλεία στην εργασία τους, μια προσεγγιστική εκτίμηση της έκθεσης σε κραδασμούς πρέπει να λαμβάνει υπόψη τις πραγματικές συνθήκες χρήσης και τον τρόπο χρήσης του εργαλείου, συμπεριλαμβανομένων και όλων των επιμέρους τμημάτων του κύκλου εργασίας, όπως τα χρονικά διαστήματα που το εργαλείο ήταν εκτός λειτουργίας και τα διαστήματα λειτουργίας χωρίς φορτίο, επιπλέον του χρόνου πίεσης της σκανδάλης.

Ετικέτες πάνω στο εργαλείο

Το εργαλείο φέρει τα παρακάτω προειδοποιητικά σύμβολα μαζί με τον κωδικό ημερομηνίας:



Προειδοποίηση! Για να μειωθεί ο κίνδυνος τραυματισμού, ο χρήστης πρέπει να διαβάσει το εγχειρίδιο οδηγιών.

Ασφαλής χρήση ηλεκτρικού ρεύματος



Αυτό το εργαλείο φέρει διπλή μόνωση. Επομένως, δεν απαιτείται καλώδιο γείωσης. Ελέγχετε πάντα ότι η παροχή ρεύματος αντιστοιχεί στην τάση που αναφέρεται στην πινακίδα στοιχείων.

- ◆ Αν το καλώδιο ρεύματος έχει υποστεί ζημία, η αντικατάστασή του πρέπει να γίνει από τον κατασκευαστή ή από ένα εξουσιοδοτημένο κέντρο επισκευών της BLACK+DECKER, ώστε να μην αποτελέσει κίνδυνο.

Χαρακτηριστικά

Αυτό το εργαλείο διαθέτει μερικά από ή όλα τα παρακάτω χαρακτηριστικά.

1. Διακόπτης ενεργοποίησης/ απενεργοποίησης (On/off)
2. Βάση με μοτέρ
3. Παλινδρομική βάση λείανσης
4. Μεγάλη βάση λείανσης ακριβείας
5. Μύτη βάσης γυαλοχαρτίσματος
6. Εξάρτημα δακτύλου ακριβείας
7. Δοχείο συλλογής σκόνης

Συναρμολόγηση

Προειδοποίηση! Πριν από τη συναρμολόγηση, βεβαιωθείτε ότι το εργαλείο είναι απενεργοποιημένο και ότι το φως δεν είναι συνδεδεμένο στην πρίζα.

Αφαίρεση βάσεων λείανσης (εικ. Α, Β)

- ◆ Για να αφαιρέσετε τη βάση λείανσης, ξβιδώστε τη βίδα ασφάλισης (9) από τη βάση λείανσης χρησιμοποιώντας το παρεχόμενο κλειδί Άλεν (8) όπως δείχνει η εικόνα Α.
- ◆ Τραβήξτε τη βάση λείανσης από το εργαλείο όπως δείχνει η εικόνα Β.

Τοποθέτηση της παλινδρομικής βάσης λείανσης τυχαίας τροχιάς (εικ. C, C1)

- ◆ Κρατήστε το εργαλείο με τη βάση λείανσης (3) προς τα πάνω όπως παρουσιάζεται στην εικόνα C.
- ◆ Πιέστε τη βάση λείανσης μέχρι να την ακούσετε να ασφαλίσει στη θέση της.
- ◆ Επανατοποθετήστε τη βίδα ασφάλισης (9) και στερεώστε την με το παρεχόμενο κλειδί Άλεν (8) όπως δείχνει η εικόνα C.
- ◆ Χρησιμοποιήστε ένα κατασαβίδι (17) (δεν παρέχεται) για να ασφαλίσετε τη βάση λείανσης στη θέση της ενώ συσφίγγετε τη βίδα ασφάλισης (9) όπως δείχνει η εικόνα C1.

Τοποθέτηση φύλλων γυαλόχαρτου (εικ. D)

- ◆ Κρατήστε το εργαλείο με τη βάση λείανσης (3) στραμμένη προς τα πάνω.
- ◆ Τοποθετήστε το φύλλο γυαλόχαρτου (11) στη βάση λείανσης (3), φροντίζοντας ώστε οι σπές του φύλλου (όπου έχει εφαρμογή) να συμπίπτουν με τις αντίστοιχες της βάσης, όπως δείχνει η εικόνα D.

Μεγάλη βάση λείανσης ακριβείας

Με αυτή τη βάση λείανσης, το εργαλείο μετατρέπεται σε τριβείο ακριβείας ή σε παλινδρομικό τριβείο.

Τοποθέτηση της μεγάλης βάσης λείανσης ακριβείας (εικ. Ε, F, F1)

Για λείανση ακριβείας, το μυτερό άκρο πρέπει να δείχνει προς τα εμπρός (εικ. Ε).

Για λείανση μεγάλων επιφανειών, το μυτερό άκρο πρέπει να είναι στραμμένο προς τα πίσω (εικ. F).

- ◆ Τοποθετήστε τη βάση λείανσης όπως περιγράφεται παραπάνω στο "Τοποθέτηση της παλινδρομικής βάσης λείανσης τυχαίας τροχιάς".
- ◆ Πιέστε τη βάση λείανσης μέχρι να την ακούσετε να ασφαλίσει στη θέση της.
- ◆ Επανατοποθετήστε τη βίδα ασφάλισης (9) και στερεώστε την με το παρεχόμενο κλειδί Άλεν (8).
- ◆ Χρησιμοποιήστε ένα καταβίδι (17) (δεν παρέχεται) για να ασφαλίσετε τη βάση λείανσης στη θέση της ενώ συσφίγγετε τη βίδα ασφάλισης (9) όπως δείχνει η εικόνα F1.

Τοποθέτηση φύλλων γυαλόχαρτου (εικ. G)

- ◆ Αποσυνδέστε τις δύο μύτες λείανσης σχήματος ρόμβου (14) από το φύλλο γυαλόχαρτου (12).
- ◆ Κρατήστε το εργαλείο με τη βάση λείανσης στραμμένη προς τα πάνω.
- ◆ Τοποθετήστε το φύλλο γυαλόχαρτου (12) στη βάση λείανσης, φροντίζοντας ώστε οι οπές του φύλλου (όπου έχει εφαρμογή) να συμπέσουν με τις αντίστοιχες της βάσης.

Όταν φθαρούν οι μύτες λείανσης σχήματος ρόμβου (13), μπορείτε να τις αντιστρέψετε ή να τις αντικαταστήσετε.

- ◆ Όταν φθαρεί η εμπρός πλευρά της μύτες, αποσυνδέστε την από το φύλλο, αντιστρέψτε την και πιέστε την ξανά πάνω στη βάση λείανσης.
- ◆ Όταν πλέον έχει φθαρεί ολόκληρη η μύτη, αφαιρέστε την από τη βάση λείανσης και αντικαταστήστε την με μια καινούργια μύτη σχήματος ρόμβου (13).

Μύτη της βάσης γυαλοχαρτίσματος (εικ. Η)

Όταν φθαρεί η υποδοχή της μύτες λείανσης σχήματος ρόμβου (5), μπορείτε να την αντικαταστήσετε. Ανταλλακτικά μπορείτε να προμηθευτείτε από τον αντιπρόσωπο της BLACK+DECKER.

- ◆ Αφαιρέστε τη βίδα (15).
- ◆ Αντικαταστήστε το φθαρμένο εξάρτημα.
- ◆ Τοποθετήστε και σφίξτε τη βίδα (15).

Εξάρτημα δακτύλου (εικ. Ι)

Το εξάρτημα δακτύλου χρησιμοποιείται για λείανση μεγάλης ακριβείας.

- ◆ Αφαιρέστε τη βίδα (15).
- ◆ Αφαιρέστε την υποδοχή (5) της μύτες σχήματος ρόμβου από τη βάση λείανσης.
- ◆ Τοποθετήστε το εξάρτημα δακτύλου (6) στη βάση λείανσης.
- ◆ Τοποθετήστε και σφίξτε τη βίδα (15).
- ◆ Τοποθετήστε το κατάλληλο φύλλο γυαλόχαρτου (16) στο εξάρτημα δακτύλου.

Χρήση

Προειδοποίηση! Αφήστε το εργαλείο να λειτουργήσει με το δικό του ρυθμό. Μην το υπερφορτώνετε.

Προειδοποίηση! Μην καλύπτετε τις εγκοπές αερισμού όταν χρησιμοποιείτε το εργαλείο. Βεβαιωθείτε ότι η βάση λείανσης είναι σε πλήρη επαφή με το αντικείμενο εργασίας.

- ◆ Αποθηκεύετε το εργαλείο με τη βάση στη θέση της.
- ◆ Μην πλησιάζετε τα χέρια σας στην περιοχή της απράκτου του εργαλείου.
- ◆ Μην ακουμπάτε τα δάκτυλα στη βάση κατά τη χρήση.

Ενεργοποίηση και απενεργοποίηση (εικ. J)

- ◆ Για να ενεργοποιήσετε τη συσκευή, γυρίστε το διακόπτη on/off (1) στη θέση I.
- ◆ Για να απενεργοποιήσετε το εργαλείο, θέστε τον διακόπτη on/off (1) στη θέση O.

Άδειασμα του δοχείου συλλογής σκόνης (Εικ. Κ)




Το δοχείο συλλογής σκόνης (7) πρέπει να αδειάζεται κάθε δέκα λεπτά χρήσης.

- ◆ Τραβήξτε το δοχείο συλλογής σκόνης (7) προς τα πίσω και αφαιρέστε το από το εργαλείο και το στόμιο σύνδεσης (7a).
- ◆ Αδειάστε το σε κατάλληλο δοχείο απορριμμάτων και επανατοποθετήστε το στο εργαλείο.

Αξεσουάρ

Η απόδοση του εργαλείου σας εξαρτάται από το αξεσουάρ που χρησιμοποιείτε. Τα αξεσουάρ της BLACK+DECKER έχουν κατασκευαστεί μηχανικά με βάση πρότυπα υψηλής ποιότητας και είναι σχεδιασμένα να ενισχύουν την απόδοση του εργαλείου σας. Χρησιμοποιώντας αυτά τα αξεσουάρ, θα εξασφαλίσετε την καλύτερη δυνατή απόδοση του εργαλείου σας.

Τα αξεσουάρ που παρέχονται με το τριβείο εξαρτώνται από το μοντέλο το οποίο έχετε αγοράσει. Εάν χρειάζεστε κάποιο αξεσουάρ το οποίο αναγράφεται παρακάτω αλλά δεν παρέχεται με το τριβείο σας, παρακαλούμε επισκεφθείτε την ιστοσελίδα μας στην διεύθυνση www.blackanddecker.eu

Στοιχείο	Περιγραφή	Σκοπός
	Μεγάλη βάση λείανσης ακριβείας (4).	Για μέσες έως μεγάλες επιφάνειες. Η μεγάλη βάση λείανσης ακριβείας μπορεί να χρησιμοποιηθεί για λείανση μέσα σε γωνίες και έως τα άκρα του αντικειμένου υπό επεξεργασία.
	Παλινδρομική βάση λείανσης (3).	Για μεγάλες επιφάνειες. Η παλινδρομική βάση λείανσης μπορεί να χρησιμοποιηθεί για καμπύλες επιφάνειες και όταν χρειάζεστε ένα φινιρίσμα υψηλής ποιότητας.
	Δάκτυλο ακριβείας (6).	Για μικρές δύσκολες στην πρόσβαση περιοχές. Το δάκτυλο ακριβείας μπορεί να χρησιμοποιηθεί για ελαφριά λείανση και για λείανση μέσα σε γωνίες.

Συμβουλές για βέλτιστη χρήση

- ♦ Για την άνεση του χρήστη, ο χειρισμός του εργαλείου μπορεί να γίνει με ένα ή με δύο χέρια (εικ. L, M, N). Μην βάζετε τα χέρια σας πάνω από τις εγκοπές εξαιρισμού.
- ♦ Μην ασκείτε μεγάλη πίεση στο εργαλείο.
- ♦ Να ελέγχετε τακτικά την κατάσταση του φύλλου γυαλόχαρτου. Να το αντικαθιστάτε όταν χρειάζεται.
- ♦ Να λειανείτε πάντα σύμφωνα με τη φορά των "νερών" του ξύλου.
- ♦ Όταν λειανείτε νέες στρώσεις βαφής προτού περάσετε μια νέα στρώση, χρησιμοποιήστε πολύ ψιλό γυαλόχαρτο.
- ♦ Σε πολύ ανώμαλες επιφάνειες ή όταν αφαιρείτε στρώσεις βαφής, ξεκινήστε με χοντρό γυαλόχαρτο. Σε άλλες επιφάνειες, ξεκινήστε με γυαλόχαρτο μεσαίου μεγέθους κόκκου. Και στις δύο περιπτώσεις, αλλάξτε σταδιακά σε ψιλότερο γυαλόχαρτο για να είναι λεία η επιφάνεια μετά την επεξεργασία.
- ♦ Συμβουλευτείτε τον τοπικό σας έμπορο για περισσότερες πληροφορίες σχετικά με τα διαθέσιμα αξεσουάρ.

Συντήρηση

Το εργαλείο BLACK+DECKER που έχετε στην κατοχή σας έχει σχεδιαστεί έτσι ώστε να λειτουργεί για μεγάλο χρονικό διάστημα με την ελάχιστη δυνατή συντήρηση. Η συνεχής ικανοποιητική λειτουργία εξαρτάται από τη σωστή φροντίδα και τον τακτικό καθαρισμό του εργαλείου.

Προειδοποίηση! Πριν πραγματοποιήσετε οποιαδήποτε συντήρηση ή καθαρισμό στο εργαλείο, αποσυνδέστε τον φορτιστή.

- ♦ Καθαρίζετε τακτικά τις εγκοπές εξαιρισμού του εργαλείου με μια μαλακή βούρτσα ή με ένα στεγνό πανί.

- ♦ Να καθαρίζετε τακτικά το περίβλημα του μοτέρ με ένα ελαφρά υγρό πανί. Μην χρησιμοποιείτε καθαριστικά που χαράζουν ή περιέχουν διαλύτες.

Αντικατάσταση του φινιρίσματος (Hv. Βασίλειο & Ιρλανδία μόνο)

Αν χρειάζεται να τοποθετηθεί νέο φινιρίσμα ρευματοληψίας:

- ♦ Απορρίψτε με ασφαλή τρόπο το παλιό φινιρίσμα.
- ♦ Συνδέστε τον καφέ αγωγό στον ηλεκτροφόρο ακροδέκτη του νέου ρευματολήπτη.
- ♦ Συνδέστε τον μπλε αγωγό στον ουδέτερο ακροδέκτη.

Προειδοποίηση! Δεν πρέπει να γίνει καμία σύνδεση στον ακροδέκτη γείωσης. Ακολουθήστε τις οδηγίες συναρμολόγησης που συνοδεύουν τα καλής ποιότητας φινιρίσματα. Συνιστώμενη ασφάλεια: 5 A.

Προστασία του περιβάλλοντος



Χωριστή συλλογή. Τα προϊόντα και οι μπαταρίες που επισημαίνονται με αυτό το σύμβολο δεν πρέπει να απορρίπτονται μαζί με τα κανονικά οικιακά απορρίμματα.

Τα προϊόντα και οι μπαταρίες περιέχουν υλικά που μπορούν να ανακτηθούν ή να ανακυκλωθούν ώστε να μειωθούν οι ανάγκες για πρώτες ύλες.

Παρακαλούμε να ανακυκλώνετε τα ηλεκτρικά προϊόντα και τις μπαταρίες σύμφωνα με τους τοπικούς κανονισμούς. Περισσότερες πληροφορίες διατίθενται στον ιστότοπο www.2helpU.com

Τεχνικά δεδομένα

		BEW200
Τάση εισόδου	V_{AC}	230
Κατανάλωση ισχύος	W	200
Ταχύτητα χωρίς φορτίο	min^{-1}	12000
Βάρος	kg	1,40 (με βάση λεπτομερειών), 1,34 (με βάση ROS)

Στάθμη ηχητικής πίεσης σύμφωνα με το EN 62841:

Ηχητική πίεση (L_{pA}) 85,5 dB(A), αβεβαιότητα (K) 3 dB(A)

Ηχητική ισχύς (L_{WA}) 93,5 dB(A), αβεβαιότητα (K) 3 dB(A)

Συνολικές τιμές κραδασμών (διανυσματικό άθροισμα τριών αξόνων) σύμφωνα με το EN 62841:

(a) 9,8 m/s², αβεβαιότητα (K) 1,5 m/s²

Δήλωση συμμόρφωσης ΕΚ ΟΔΗΓΙΑ ΠΕΡΙ ΜΗΧΑΝΗΜΑΤΩΝ



BEW200 - Τριβείο

Η Black & Decker δηλώνει ότι τα προϊόντα αυτά που περιγράφονται στα "τεχνικά χαρακτηριστικά" συμμορφώνονται με τα ακόλουθα:

2006/42/EK, EN 62841-1:2015 + AC:2015 +A11:2022 ,
EN62841-2-4:2014

Αυτά τα προϊόντα συμμορφώνονται επίσης με την οδηγία 2014/30/EK και 2011/65/EE. Για περισσότερες πληροφορίες, παρακαλείστε να επικοινωνήσετε με την Black & Decker στην παρακάτω διεύθυνση ή να ανατρέξετε στο πίσω μέρος του εγχειριδίου.

Ο κάτωθι υπογεγραμμένος είναι υπεύθυνος για την κατάρτιση του τεχνικού φακέλου και δηλώνει τα παρόντα εκ μέρους της Black & Decker.

Patrick Diepenbach

Patrick Diepenbach
Γενικός Διευθυντής, Μπενελούξ
Black and Decker,
Egide Walschaertsstraat 14-18
2800 Mechelen, Belgium (Βέλγιο)
23/09/2022

Εγγύηση

Η Black & Decker είναι σίγουρη για την ποιότητα των προϊόντων της και προσφέρει στους καταναλωτές εγγύηση 24 μηνών από την ημερομηνία αγοράς. Αυτή η εγγύηση συμπληρώνει και με κανένα τρόπο δεν παραβιάζει τα νόμιμα δικαιώματά σας. Η εγγύηση ισχύει εντός της επικράτειας των χωρών μελών της Ευρωπαϊκής Ένωσης και της Ευρωπαϊκής Ζώνης Ελεύθερων Συναλλαγών και το Ηνωμένο Βασίλειο.

Για να υποβάλετε αξίωση βάσει της εγγύησης, η αξίωση θα πρέπει να είναι σύμφωνη με τους Όρους και προϋποθέσεις της Black & Decker και θα χρειαστεί να υποβάλετε απόδειξη αγοράς στον πωλητή ή σε εξουσιοδοτημένο αντιπρόσωπο επισκευών.

Μπορείτε να αποκτήσετε τους Όρους και προϋποθέσεις της εγγύησης της Black & Decker διάρκειας 2 ετών και να μάθετε την τοποθεσία του πλησιέστερου εξουσιοδοτημένου αντιπροσώπου επισκευών στο Internet στο www.2helpU.com, ή επικοινωνώντας με το τοπικό σας γραφείο Black & Decker στη διεύθυνση που υποδεικνύεται στο παρόν εγχειρίδιο.

Επισκεφθείτε τον ιστότοπό μας www.blackanddecker.gr για να καταχωρίσετε το νέο σας προϊόν Black & Decker και για να λαμβάνετε ενημερώσεις για νέα προϊόντα και ειδικές προσφορές.

België/Belgique/Luxembourg www.blackanddecker.be enduser.be@sbdinc.com	BLACK&DECKER EU Egide Walschaertsstraat 16, B-2800 Mechelen Belgium	Tel. NL +32 15 47 37 65 Tel. FR +32 15 47 37 66 Fax. +32 15 47 37 99
Danmark	Black & Decker Roskildevej 22 2620 Albertslund	kundeservice.dk@sbdinc.com www.blackanddecker.dk
Deutschland www.blackanddecker.de infobfge@sdbinc.com	Stanley Black & Decker Deutschland GmbH Black & Decker Str. 40, D - 65510 Idstein	Tel. 06126 21-0 Fax 06126 21-2980
Ελλάδα www.blackanddecker.gr greece.service@sbdinc.com	Stanley Black & Decker (ΕΛΛΑΣ) Ε.Π.Ε ΓΡΑΦΕΙΑ: Σπύριδωνος 7 & Βουλιαγμένης 166 74 Γλυφάδα - Αθήνα	Τηλ. 210-8981616 Φαξ 210-8983570
SERVICE:	Ημερος Τόπος 2 -Χάνι Αδάμ 193 00 Ασπρόπυργος - Αθήνα	Τηλ. Service 210-8985208 Φαξ 210-5597598
España www.blackanddecker.es respuesta.posventa@sbdinc.com	Stanley Black & Decker Ibérica, S.C.A. Parc de Negocis "Mas Blau" Edificio Muntadas, c/Bergadà, 1, Of. A6 08820 El Prat de Llobregat (Barcelona)	Tel. 934 797 400 Fax 934 797 419
France www.blackanddecker.fr	Black & Decker (France) S.A.S. 5 allée des Hêtres B.P. 30084 69579 Limonest Cédex	Tel. 04 72 20 39 20 Fax 04 72 20 39 00
Helvetia www.blackanddecker.ch service@rofoag.ch	ROFO AG Gewerbezone Seeblick 3213 Kleinbösingen	Tel. 026-6749393 Fax 026-6749394
Italia www.blackanddecker.it service.italia@sbdinc.com	Stanley Black & Decker Italia Via Energypark 6 20871 Vimercate (MB)	Tel. 039-9590200 Fax 039-9590313 Numero verde 800-213935
Nederland www.blackanddecker.nl enduser.nl@sbdinc.com	Stanley Black & Decker Netherlands BV Holtum Noordweg 35, 6121 RE BORN Postbus 83, 6120 AB BORN	Tel. +31 164 283 065 Fax +31 164 283 200
Norge	Black & Decker Postboks 4613, Nydalen 0405 Oslo	kundeservice.no@sbdinc.com www.blackanddecker.no
Österreich www.blackanddecker.at service.austria@sbdinc.com	Stanley Black & Decker Austria GmbH Oberlaaerstraße 248, A-1230 Wien	Tel. 01 66116-0 Fax 01 66116-614
Portugal www.blackanddecker.pt resposta.posvenda@sbdinc.com	Black & Decker Limited SARL Quinta da Fonte - Edifício Q55 D, Diniz Rua dos Malhães, 2 e 2A - Piso 2 Esquerdo 2770 - 071 Paço de Arcos	Tel. 214667500 Fax 214667580
Suomi	Black & Decker PL47 00521, Helsinki	asiakaspalvelu.fi@sbdinc.com www.blackanddecker.fi
Sverige	Black & Decker AB Box 94, 431 22 Mölndal	kundservice.se@sbdinc.com www.blackanddecker.se
Türkiye www.blackanddecker.com.tr	KALE Hırdavat ve Makina A.Ş. Defferdar Mah. Savaklar Cad. No:15 Edimekapı / Eyüp / İstanbul 34050	Tel. 0212 533 52 55 Fax. 0212 533 10 05
United Kingdom & Republic Of Ireland www.blackanddecker.co.uk emeaservice@sbdinc.com	BLACK&DECKER UK 270 Bath Rd, Slough SL1 4DX, England	Tel. 01753 511234 Fax 01753 512365
Middle East & Africa www.blackanddecker.ae service.mea@sbdinc.com	Black & Decker P.O.Box - 17164 Jebel Ali Free Zone (South), Dubai, UAE	Tel. +971 4 8863030 Fax +971 4 8863333