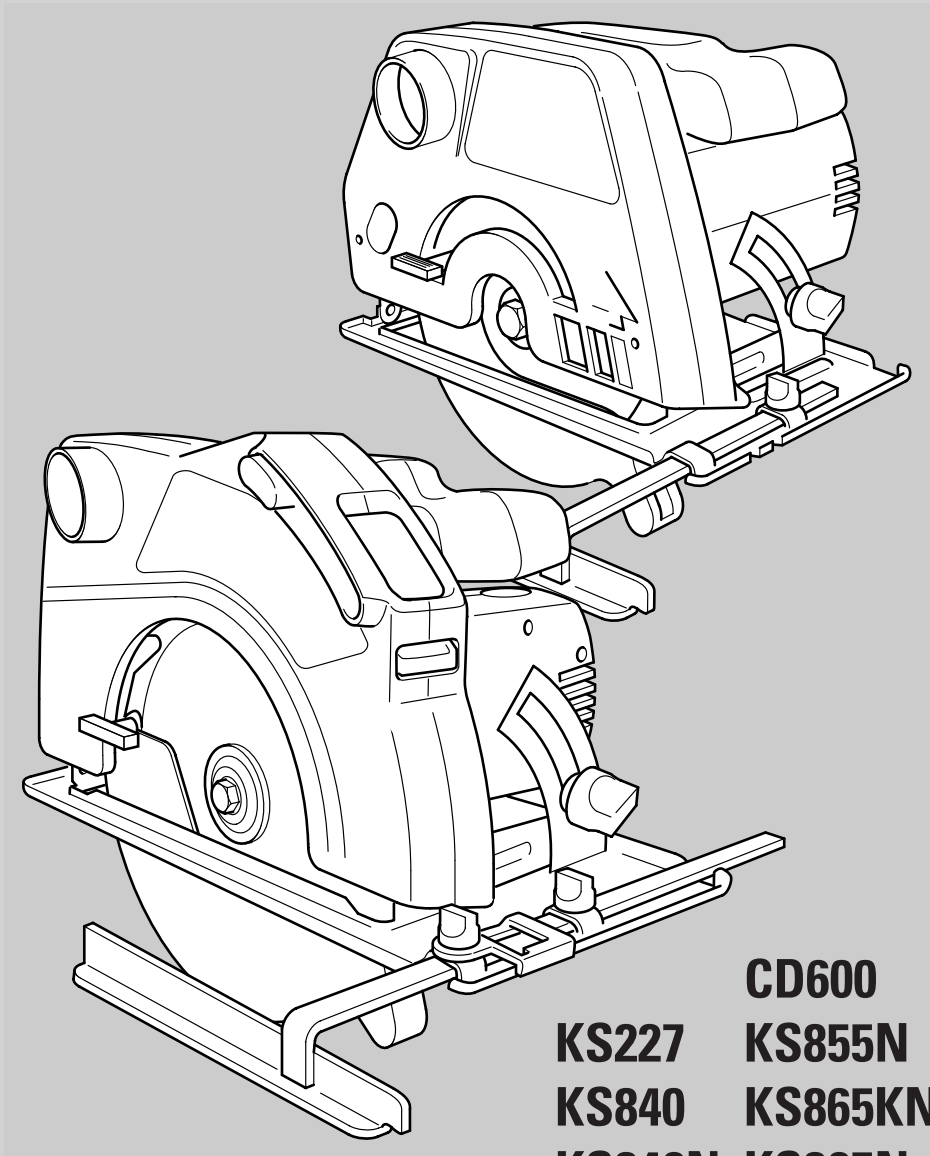




 **BLACK &
DECKER®**



CD600
KS227 KS855N
KS840 KS865KN
KS846N KS865N
KS850N 374456N





Congratulations!

On the purchase of your Black & Decker circular saw.

To ensure the best results from your circular saw please read these safety and usage instructions carefully.

If you have any questions or queries after reading this user manual please do not hesitate to call our Service and Information Centre, whose number you will find towards the back of this user manual, or one of our Authorised Repair Agents. A list of these Agents and further information is available on the Internet at www.2helpU.com.





Contents

Page 4	Safety instructions Additional safety instructions for circular saws
Page 5	Double insulation Electrical safety
Page 6	Replacement of the supply cord Extension cables Unwanted tools and the environment The Black & Decker guarantee After sales service for your Black & Decker product The after sales service policy Accessories Technical data
Page 7	Features Preparing your circular saw Setting the depth of cut adjustment Setting the sight guidance system
Page 8	Adjusting the parallel fence Setting the mitring adjustment Changing the blade Adjusting the riving knife Operating your circular saw Holding your circular saw
Page 9	Maintenance of the window Replacing the carbon brushes Sawdust removal Handy hints Tool care EC declaration of conformity Black & Decker phone numbers and addresses Guarantee card



Circular saws user manual

SAFETY INSTRUCTIONS

Warning! When using electric tools, the following basic safety precautions should always be taken to reduce the risk of fire, electric shock and personal injury. Read all these instructions before attempting to operate the product and save this booklet.

For safe operation:

- **Keep the work area clean.** Cluttered areas and benches invite injuries.
- **Consider the work area environment.** Do not expose the power tool to rain and do not use in damp or wet locations. Keep the work area well lit. Do not use the power tool where there is a risk to cause fire or explosion.
- **Guard against electric shock.** Avoid body contact, where possible, with earthed or grounded surfaces (e.g. pipes, radiators, ranges and refrigerators).
- **Keep children away.** Do not let visitors touch the tool or extension cord. All visitors should be kept away from the work area.
- **Store idle tools.** When not in use, tools should be stored in a dry, high or locked place, out of reach of children.
- **Do not force the tool.** It will do the job better and more safely at the rate for which it was intended.
- **Use the right tool.** Do not force small tools or attachments to do the job of a heavy duty tool. Do not use the tool for purposes not intended; for example, do not use a circular saw to cut tree limbs or logs.
- **Dress properly.** Do not wear loose clothing or jewellery as they can be caught in moving parts. Rubber gloves and non-skid footwear are recommended when working outdoors. Wear protective hair covering to contain long hair.
- **Use safety glasses.** Use a face or dust mask as well, if the operation is dusty or if the tool is being used in enclosed spaces.
- **Connecting dust extraction equipment.** If devices are provided for the connection of dust extraction and collection ensure these are connected and properly used, especially in confined areas.
- **Do not abuse the cord.** Never carry the tool by its cord or yank it to disconnect it from the socket. Keep the cord away from heat, oil and sharp edges.
- **Secure the work.** Use clamps or a vice to hold the work. It is safer than using a hand and it frees both hands to operate the tool.
- **Do not overreach.** Keep proper footing and balance at all times.
- **Maintain the tool with care.** Keep a cutting tool sharp and clean for better and safer performance. Follow the instructions for lubricating and changing accessories. Inspect the tools cord periodically and, if damaged, have repaired by an authorised service facility. Inspect the extension cord periodically and replace if damaged. Keep the handles dry, clean and free from oil and grease.
- **Disconnect the tool** when not in use, before servicing and when changing accessories such as blades, bits and cutters.
- **Remove adjusting keys and wrenches.** Form the habit of checking to see that keys and adjusting wrenches are removed from the tool and replaced in the storage area before switching on.
- **Avoid unintentional starting.** Do not carry a plugged-in tool with a finger on the switch. Ensure the switch is off when plugging in.
- **Use an outdoor extension cord.** When a tool is used outdoors, only use an extension cord intended for outdoor use and so marked.
- **Stay alert.** Watch what you are doing, use common sense and do not operate the tool when tired.
- **Check damaged parts.** Before further use of the tool, a guard or other part that is damaged should be carefully checked to determine whether it will operate properly and perform its intended function. Check for alignment of moving parts, free running of moving parts, breakage of parts, mounting and any other conditions that may affect its operation. A guard or other part that is damaged should be properly repaired or replaced by an authorised service centre unless otherwise indicated in the product booklet. Have defective switches replaced by an authorised service agent. Do not use the tool if the switch does not turn it on and off.
- **Warning!** The use of any accessory or attachment, other than recommended in the product booklet, may present a risk of personal injury.
- **Have the tool repaired by a qualified person.** The electrical tool is in accordance with the relevant safety requirements. Repairs should only be carried out by qualified persons using original spare parts, otherwise, this may result in considerable danger to the user.

ADDITIONAL SAFETY INSTRUCTIONS FOR CIRCULAR SAWS

Plugging into the mains, switching on and off

- Always ensure that the power tool is switched off before plugging into the mains.



ENGLISH

- Make sure that you remove the blade-changing spanner from the saw blade locking screw before you switch on the circular saw.
- Do not switch off the power tool unless the saw blade is running freely.

When sawing

- Only hold your saw by the handles provided. Do not hold your saw in a position that could result in a poor grip and control of the saw.
- Always ensure that there is sufficient clearance below the material being cut and the bench or support to allow the safety guard to rotate fully.
- All nails and metal objects must be removed from the workpiece before you commence sawing.
- Do not attempt to saw extremely small workpieces.
- After switching off, never attempt to stop the saw blade by pressing against the side of the blade.
- Never put the circular saw down on a table or work bench unless you have previously switched off.
- Never operate the circular saw with the saw blade turned upwards or to the side.

Operational protection devices


- Ensure that all devices screening the saw blade are in perfect working order.
- Never jam the saw guard.
- Free a jammed saw guard immediately and do not use the saw if the guard is jammed.
- Only use the guard retracting lever provided should the blade guard need to be moved when commencing a cut.
- The riving knife must not be removed (where fitted).
- The riving knife should be correctly set (where fitted).

Checking and changing the saw blade

- Disconnect the saw from the mains supply before checking or changing the blade.
- Only saw blades conforming to the specifications contained in these operating instructions may be used.
- Saw blades whose main part is thicker or whose pitch is smaller than the riving knife's thickness should not be used (only on saws fitted with a riving knife).
- Saw blades made of high alloy, high speed steel (HSS steel) should not be used.
- Only sharp saw blades in perfect working condition should be used; cracked or bent saw blades should be discarded and replaced at once.
- Ensure that the saw blade is securely fixed and turns in the correct direction.
- Metal cutting and stone cutting discs should not be used with this saw.

Save these instructions!

DOUBLE INSULATION

 The tool is double insulated. This means that all the external metal parts are electrically insulated from the mains power supply. This is done by placing insulation barriers between the electrical and mechanical components making it unnecessary for the tool to be earthed.

Note: Double insulation does not take the place of normal safety precautions when operating the tool. The insulation system is for added protection against injury resulting from a possible electrical insulation failure within the tool.

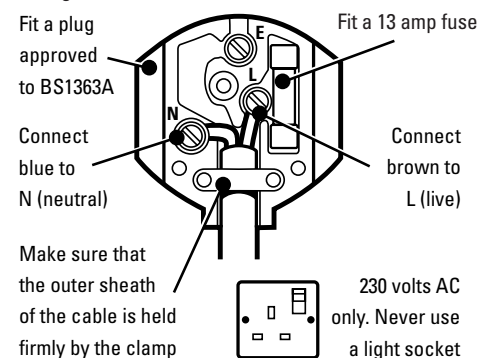
ELECTRICAL SAFETY

Be sure the supply is the same as the voltage given on the rating plate. The tool is fitted with a two-core cable and plug.

MAINS PLUG REPLACEMENT (UK ONLY)

Should the mains plug need replacing and you are competent to do this, proceed as instructed below. If you are in doubt, contact a Black & Decker service agent or a qualified electrician.

- Disconnect the plug from the power supply.
- Cut off the plug and dispose of safely. A plug with bared copper conductors is very dangerous if engaged in a live socket outlet.
- Only fit BS1363A approved plugs fitted with the correctly rated fuse.
- **Note:** Fuses do not give personal protection against electric shock.
- The cable wire colours, or a letter, will be marked at the connection point of most good quality plugs. Attach the wires to their respective points in the plug (see diagram). Brown is L (live) and blue is N (neutral).



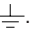
- Before replacing the top cover of the plug ensure that the cable restraint is holding the outer sheath of





ENGLISH

the cable firmly and that the two leads are correctly fixed at the terminal screws. If the fuse cover is missing or damaged do not use the plug. For replacement or detachable fuse covers, contact a Black & Decker service agent.

Warning! Never connect live or neutral wires to the earth pin marked E or .

REPLACEMENT OF THE SUPPLY CORD (AUSTRALIA AND NEW ZEALAND ONLY)

If the supply cord is damaged, it must be replaced by the manufacturer or its service agent or similarly qualified person in order to avoid a hazard.

EXTENSION CABLES

Up to 30m (100ft) of 3-core extension cable can be used without undue loss of power. **Note:** An extension cable should not be used unless absolutely necessary. Use of an improper extension cable could result in a risk of fire and electric shock. If an extension cable must be used, make sure it is properly wired, contains the correct rated fuse as recommended in its literature and is in good electrical condition.

UNWANTED TOOLS AND THE ENVIRONMENT



Should you find one day that the tool needs replacement or is of no further use, think of the protection of the environment. Black & Decker service agents will accept old tools and will dispose of them in an environmentally safe way.

THE BLACK & DECKER GUARANTEE (UK, AUSTRALIA AND NEW ZEALAND ONLY)

If the Black & Decker product becomes defective due to faulty materials and workmanship, within 24 months from the date of purchase, we guarantee to either replace all defective parts or at our discretion, replace the unit free of charge provided that:

- The product is returned to us or our authorised repairers with evidence of date of purchase.
- The product has not been used for trade, professional or hire purposes.
- The product has not been subjected to misuse or neglect.
- The product has not sustained any damage through foreign objects, substances or accidents.
- Repairs have not been attempted by anyone other than our own service staff or authorised repair distributors.

This guarantee is offered as an extra benefit and is additional to the customers statutory rights.

AFTER SALES SERVICE FOR YOUR BLACK & DECKER PRODUCT (UK, AUSTRALIA AND NEW ZEALAND ONLY)

Black & Decker offers a nationwide network of authorised service agents. The use of other than genuine Black & Decker accessories and parts may damage or reduce the performance of your Black & Decker product and may also endanger the user. The terms and conditions of the warranty may also be effected.

OUR AFTER SALES SERVICE POLICY (UK, AUSTRALIA AND NEW ZEALAND ONLY)

It is our aim that all Black & Decker customers should be totally satisfied with their Black & Decker product and after sales service, but if help or advice is needed please contact your local Black & Decker authorised repair agent who will be happy to help. Full details of our after sales service and a list of these agents can be found on the Internet at www.2helpU.com. Alternatively, call our Service and Information Centre whose number you will find towards the back of this manual.

ACCESSORIES

The performance of any power tool is dependant upon the accessory used. Black & Decker accessories are engineered to high quality standards and are designed to enhance the performance of your tool. Buying a Black & Decker accessory will ensure that you get the very best from your Black & Decker tool. For full details of blades and accessories available, please consult your nearest stockist or service centre.

TECHNICAL DATA

The level of sound pressure of the tool is in accordance with EEC legislation. Use ear protection as the sound power of your circular saw exceeds 85dB (A).

	KS227 CD600	KS840	KS846N	KS850N	KS855N	374456N KS865N KS865KN
Watts (W)	500	550	1020	1100	1200	1300
No load speed (rpm)	3500	3500	4000	4000	4000	4000
Max depth of cut (mm)	40	40	46	50	55	65
Blade diameter (mm)	140	140	140	160	160	184
Blade bore (mm)	12.7	12.7	12.7	16	16	16
Weight (kg)	2.5	2.5	3.0	3.7	3.7	4.2

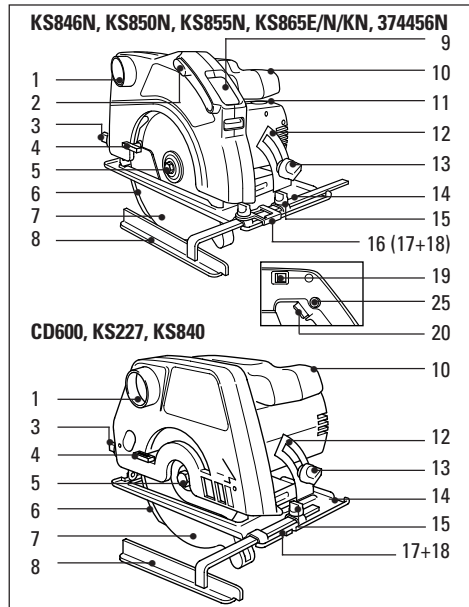
Note: This user manual also covers more than one catalogue number within this product group. Refer to your rating plate for details of your product.



ENGLISH

FEATURES

1. Sawdust outlet
2. Window lever
3. Depth of cut adjustment
4. Guard retracting lever
5. Saw blade locking screw
6. Riving knife (not included on Australian and New Zealand models)
7. Blade guard
8. Parallel fence
9. Window
10. Front handle
11. Carbon brush cover
12. Mitering angle scale
13. Locking screw for mitering adjustment
14. Saw shoe
15. Locking screw for parallel fence
16. Sight guide
17. Mark for straight cut
18. Mark for mitering cut
19. Electronic switch (electronic models only)
20. On/off switch
21. Depth of cut scale
22. Secondary locking lever for mitering adjustment
23. Inner washer
24. Outer washer
25. Lock-off button
26. Blade



Your product includes some or all of these features.

SAFETY WARNING

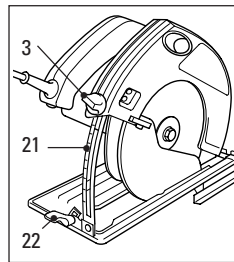
Your saw is designed for use with wood cutting blades only. Do not use stone cutting or metal cutting discs.

PREPARING YOUR CIRCULAR SAW

SETTING THE DEPTH OF CUT ADJUSTMENT

Proceed as follows:

Disconnect the plug from the electricity supply.



Loosen the depth of cut adjustment (3) at the bottom of the scale.

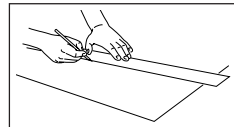
Move your circular saw up the scale until the desired depth of cut is indicated on the scale (21). Tighten the screw (3). The depth of cut should be 3mm greater

than the thickness of the workpiece.

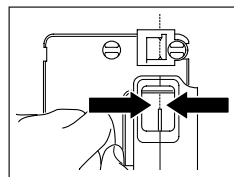
SETTING THE SIGHT GUIDANCE SYSTEM (NOT KS227/KS840/CD600)

The window and 'sight guide' are designed to enable accurate cutting everytime the saw is used.

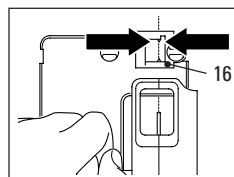
To prepare the guide system for first time use, proceed as follows:



Mark a straight line on your workpiece to represent the desired path of the saw blade.



Whilst viewing through the saw guard window align the saw blade teeth with the intended line of cut drawn on the workpiece.



Whilst keeping the saw in this position, place the orange 'sight guide' (16) onto the shoe of your circular saw. Align the 'sight guide' with the line drawn on the workpiece

and secure in place with the screw provided.

- At the start of every cut align the blade as described and whilst cutting keep the 'sight guide' in line with the intended line of cut drawn on the workpiece.



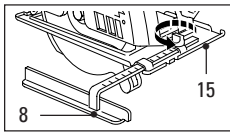
ENGLISH

- When attempting mitre cuts, follow the same procedure detailed above, however, use the area marked 45° on the 'sight guide'.

ADJUSTING THE PARALLEL FENCE

Your circular saw includes a parallel fence. This permits the sawing of a straight line parallel to the edge of the workpiece. To assemble and adjust the parallel fence, proceed as follows:

Disconnect the plug from the electricity supply.

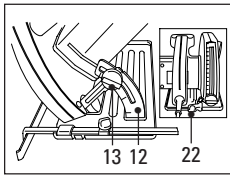


Loosen the locking screw (15) at the forward end of the saw base. Slide the parallel fence (8) along its guide until the desired measurement is indicated. Tighten the locking screw (15).

SETTING THE MITRING ADJUSTMENT

Your circular saw can cut at angles up to 45°. To adjust the angle of your circular saw, proceed as follows:

Disconnect the plug from the electricity supply.



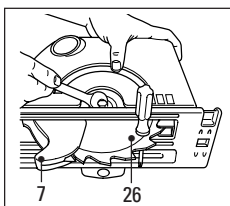
Loosen the locking screw (13). Loosen the locking lever (22) if fitted on your product. Move your circular saw around the mitre scale (12) until the desired angle is

indicated. Tighten the locking screw (13). Tighten the locking lever (22) if fitted on your product.

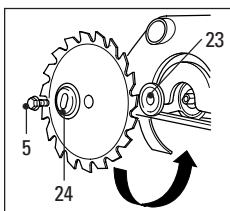
CHANGING THE BLADE

Proceed as follows:

Disconnect the plug from the electricity supply.



Retract the blade guard (7). Insert a screwdriver through the hole in the blade to prevent rotation of the blade.



Unlock and remove screw (5). Loosen anticlockwise using a 13mm spanner, remove the outer washer (24) and remove the blade. Insert the new blade, ensuring that the arrow on the blade points in the same direction as the arrow

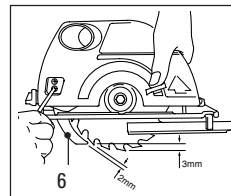
on the body of your circular saw. Fit the outer washer (24) with the raised centre portion pointing away from the blade. Ensure that this washer is correctly located on the flats of the spindle. Fit the saw blade locking screw (5). Insert a screwdriver through the hole in the blade to prevent rotation of the blade. Tighten the sawblade locking screw clockwise using a 13mm spanner.

ADJUSTING THE RIVING KNIFE (EXCLUDING AUSTRALIA AND NEW ZEALAND MODELS)

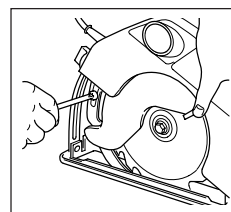
The riving knife (6) prevents the saw blade from jamming during rip sawing operations. You must check the position of the riving knife whenever the saw blade is replaced, or whenever the clearance is affected.

Proceed as follows:

Disconnect the plug from the electricity supply.



Through the opening in the blade guard, locate the two riving knife screws.

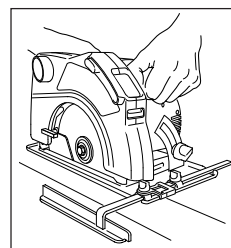


If your circular saw does not have an opening in the blade guard, adjust the cutting depth to locate the riving knife screws. Loosen the two riving knife screws. Adjust the

riving knife to give a radial clearance of 2-3mm and a tooth peak clearance of 2-3mm. Tighten the two riving knife screws.

Your saw is now ready for use.

OPERATING YOUR CIRCULAR SAW



To switch your circular saw on, depress the lock-off button (25) and squeeze the on/off trigger switch (20).

To stop your circular saw, release the trigger switch.

HOLDING YOUR CIRCULAR SAW

The front handle (10) makes it easier to guide the saw properly. Switch the machine on before you start



ENGLISH

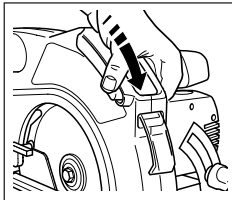
sawing the workpiece. Guide the saw without pushing it and give the blade time to pursue its path. Use the mark (17) for straight cuts or the mark (18) for mitring cuts, to keep to the line you have drawn.

MAINTENANCE OF THE WINDOW

From time to time, it may become necessary to remove cutting debris/dust from the inside of your circular saw window.

To do this, proceed as follows:

Disconnect the plug from the electricity supply.



Slide the window lever (2) forward to expose the soiled portion of the window. Take a clean, lint free cloth and proceed to wipe the exposed part of the window as required.

When finished, simply slide the lever back towards the rear of the saw guard in order to restore the window into its operating position.

Note: If necessary, use only mild soap to clean your saw as many household cleaners contain chemicals which could seriously damage the plastic. Also, do not use petrol, turpentine, laquer or paint thinners or similar products. Never let any liquid get inside your circular saw and never immerse any part of it into liquid.

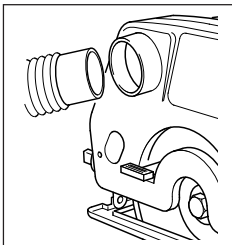
REPLACING THE CARBON BRUSHES

Proceed as follows:

Disconnect the plug from the electricity supply. Unscrew the brush cover (11). Withdraw the carbon brush and holder. Remove the carbon brush from the brush holder. Insert the new carbon brush in the brush holder. Insert the carbon brush and brush holder in the housing. Fit the brush covers.

Note: Replace the brushes in pairs and ensure used brushes and brush holders are fitted in the same positions as when removed.

SAWDUST REMOVAL



For sawdust removal, you can use a vacuum cleaner with a conventional flexible connection inserted in the dust collection outlet.

HANDY HINTS

Some splintering is inevitable on the topside line of cut. It is therefore desirable to cut on the side of the workpiece where splintering is acceptable. This is especially important when cutting laminates.

TOOL CARE

- Guide your circular saw but do not force it through the work. Applying excessive pressure can cause your circular saw to overheat. If your circular saw becomes too hot, operate it off-load for 2 minutes.
- Always keep the air cooling vents on the motor housing clear.

EC DECLARATION OF CONFORMITY

We declare that units: **CD600, KS227, KS840, KS846N, KS850N, KS855N, KS865N, KS865KN, 374456N** conform to 89/392/EEC, 89/336/EEC, EN55014, 73/23/EEC, EN55104, EN50144, EN61000
A weighted sound pressure 92.7dB (A)
A weighted sound power 102.1dB (A)
Hand/arm weighted vibration <2.5m/s²

Brian Cooke - Director of Engineering
Black & Decker Ltd, Spennymoor, County Durham
DL16 6JG United Kingdom

The Black & Decker policy is one of continuous improvement to our product and as such we reserve the right to change the product specification without prior notice.



Australia	DeWalt Industrial Power Tool Company (Distributors of Black & Decker products) 7 Clarice Road, Box Hill, Victoria 3128	Tel: 03 9895 9200 Fax: 03 9899 7465
New Zealand	Black & Decker 483 Great South Road Penrose, Auckland	Tel: 09 579 7600 Fax: 09 579 8200
South Africa	Black & Decker South Africa (Pty) Ltd Suite no 107, PostNet X65 Halfway House 1685	Tel: 011 314 4431 Fax: 011 314 4435
United Kingdom	Black & Decker 210 Bath Road, Slough Berkshire SL1 3YD	Tel: 01753 574277 Tlx: 848317 BAND MH Fax: 01753 551155

Part no: 373341-04 10/99.1

Address of the dealer where your circular saw was purchased:

Date of your purchase:

Name: _____

House number or name and street: _____

Town: _____

County or state: _____

Postcode: _____

Country: _____

Product catalogue number: _____ / _____

Data protection act: Tick this box if you prefer **not** to receive information from Black & Decker or other companies.

Yes

No

Was your circular saw a gift?

Was your circular saw your first purchase?

Was your circular saw bought as a replacement?

What was the price of your circular saw? _____

Address of the dealer where your circular saw was purchased:





GUARANTEE CARD

South Africa: Black & Decker South Africa (Pty) Ltd, Suite no 107, PostNet X65, Halfway House 1685

United Kingdom & Ireland: PO Box 821, Slough, Berkshire, SL1 3AR



Please complete this section immediately after the purchase of your circular saw and post it to the Black & Decker address in your country (above).



If you live in Australia or New Zealand, please register your purchase by using the alternative guarantee card supplied.

