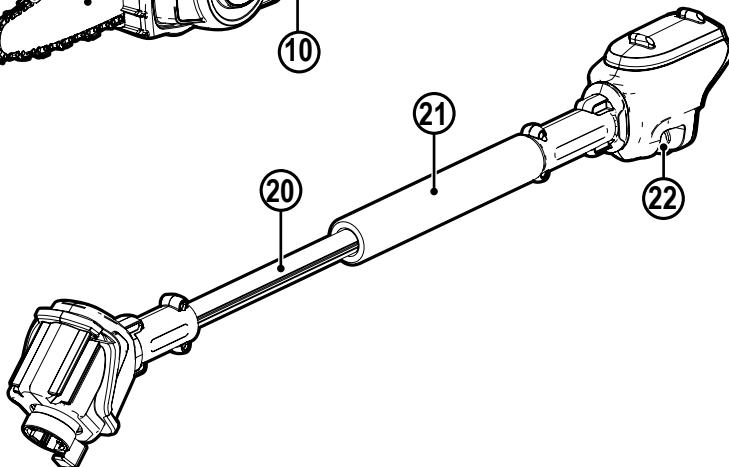
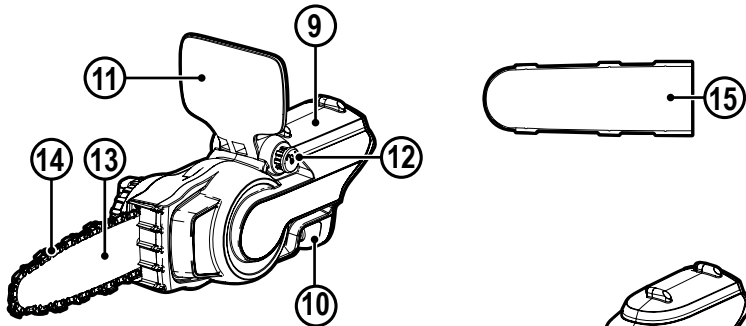
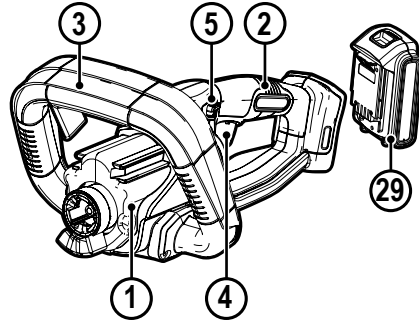
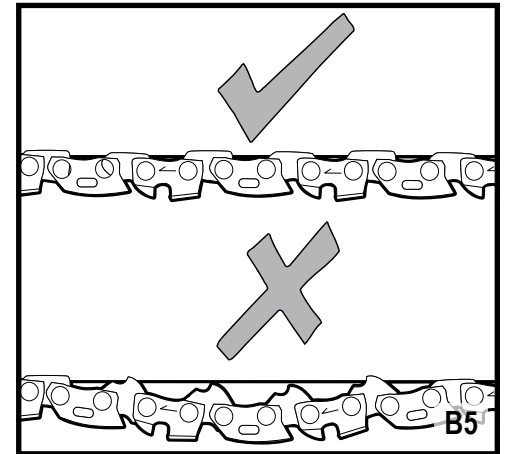
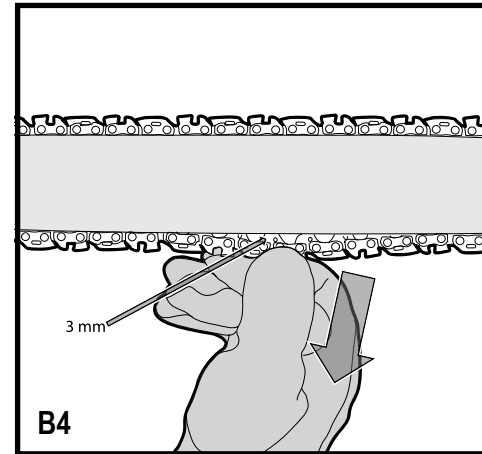
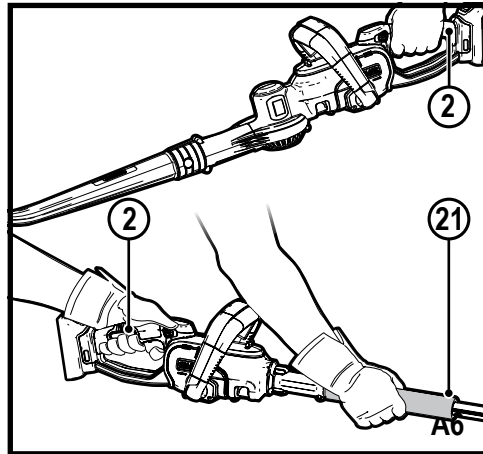
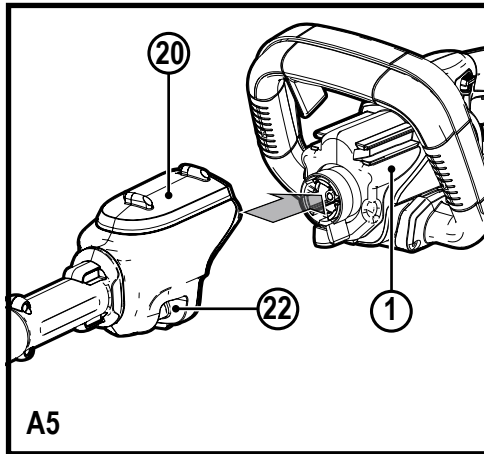
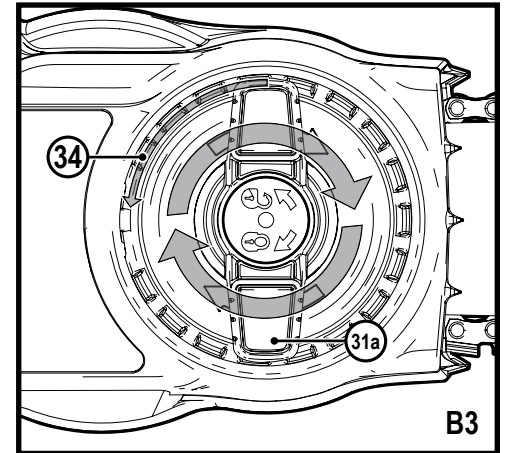
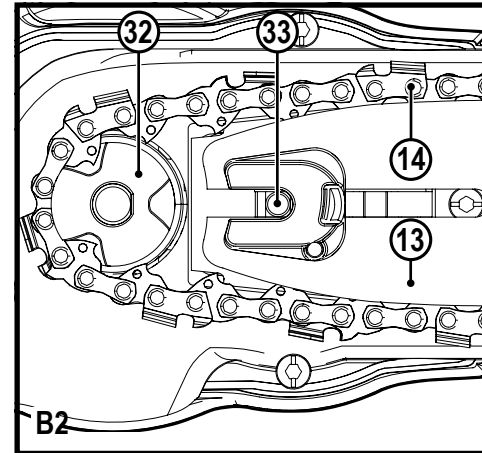
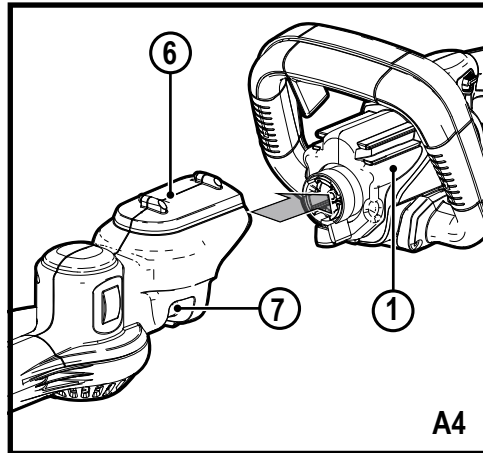
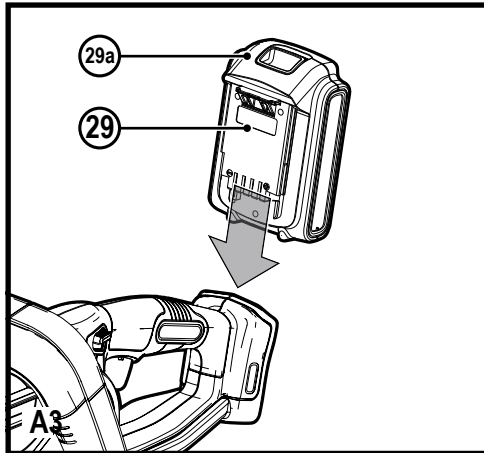
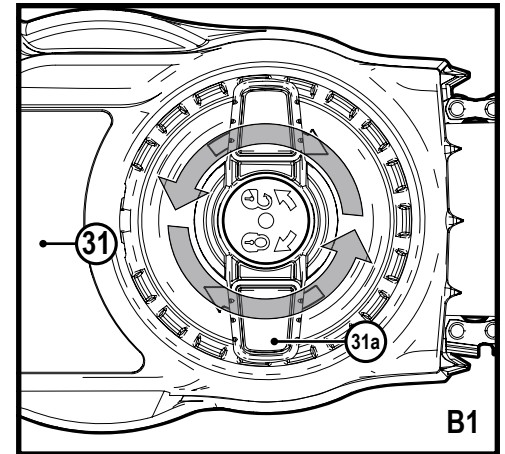
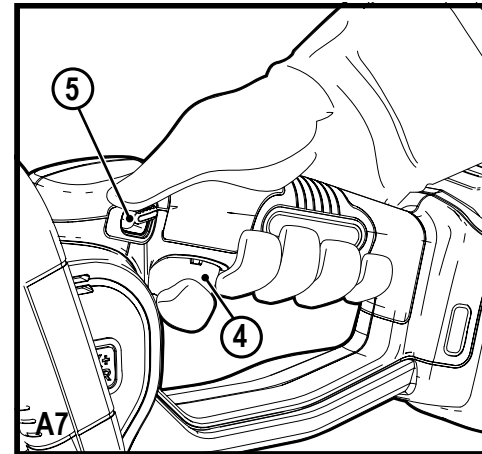
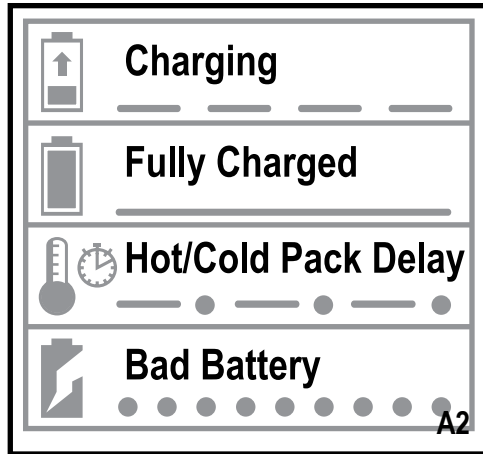
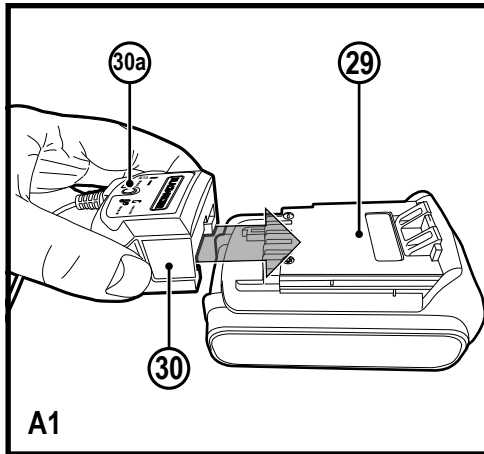


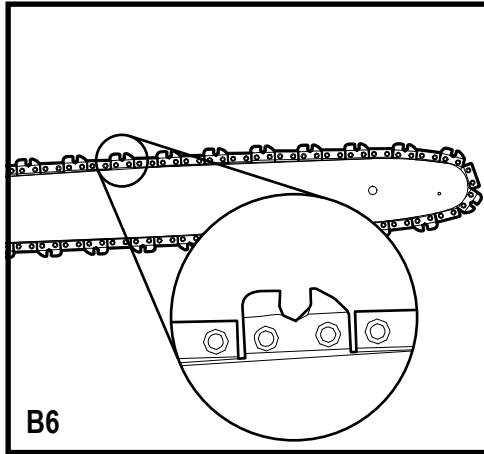
# BLACK+ DECKER



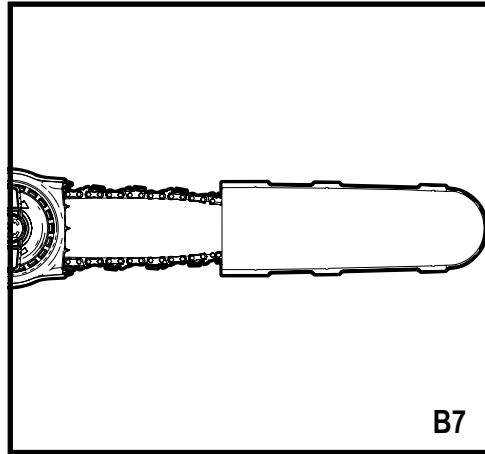
[www.blackanddecker.co.uk](http://www.blackanddecker.co.uk)

## BCASK61D

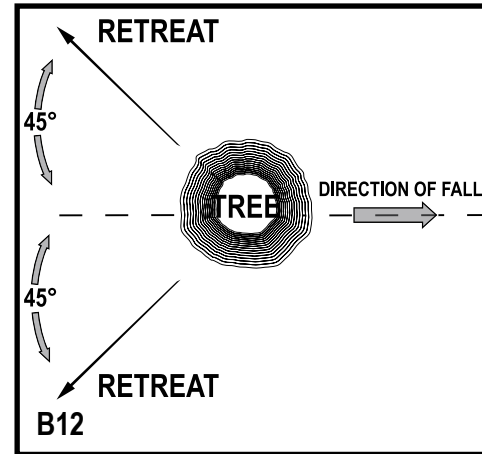




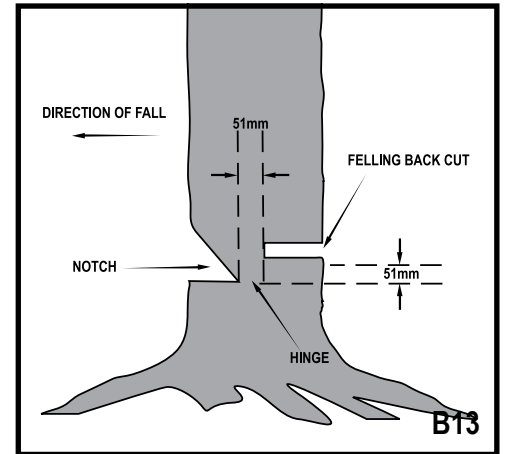
B6



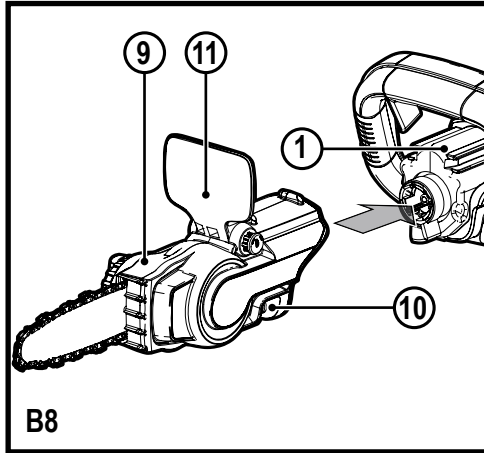
B7



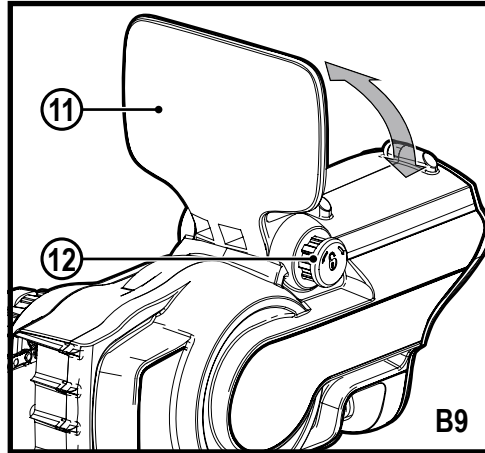
B12



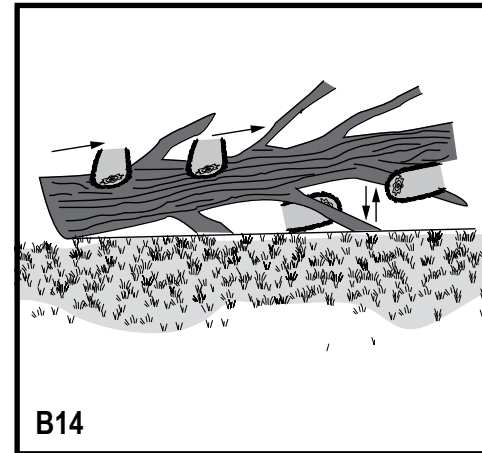
B13



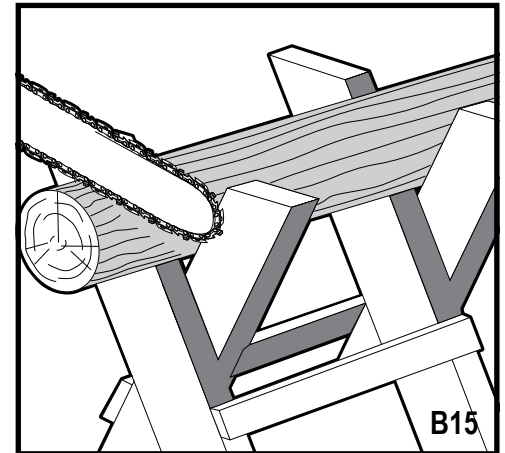
B8



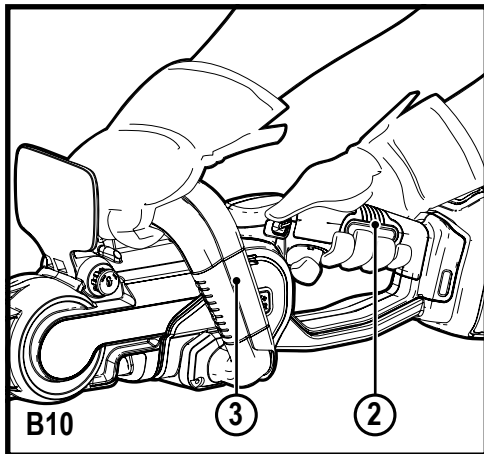
B9



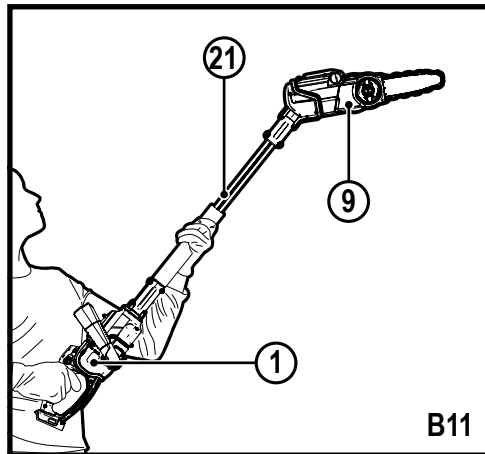
B14



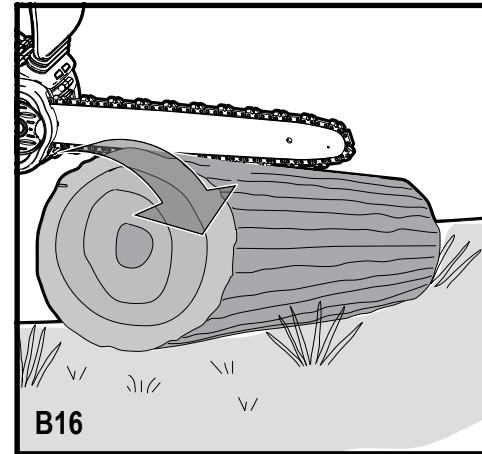
B15



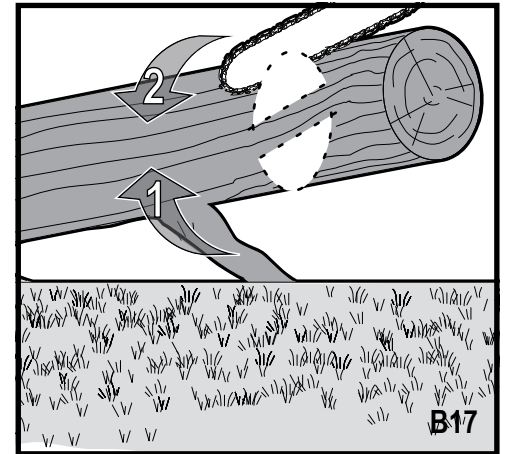
B10



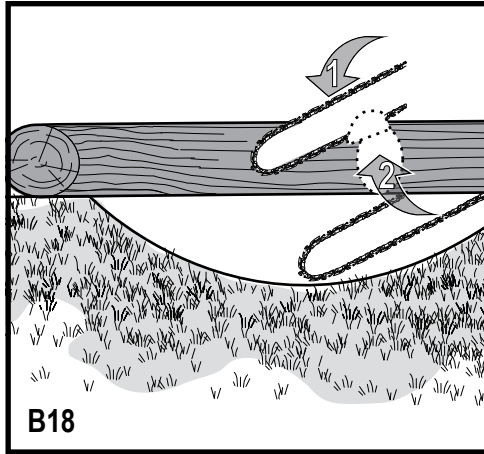
B11



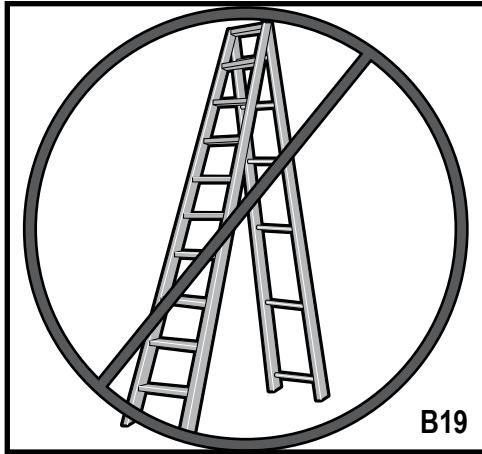
B16



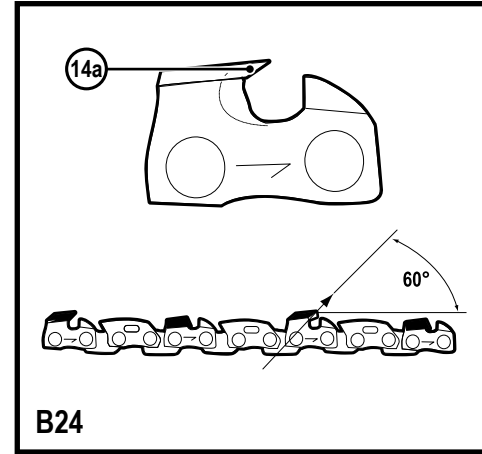
B17



B18



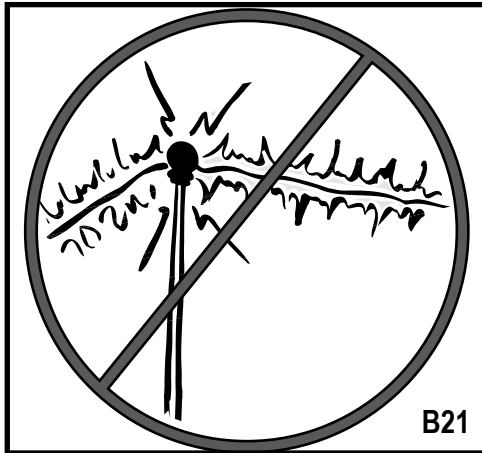
B19



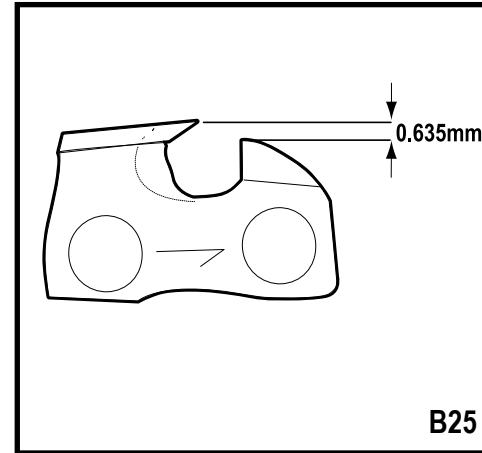
B24



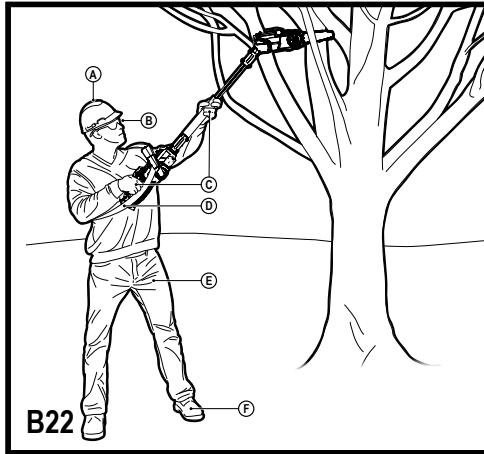
B20



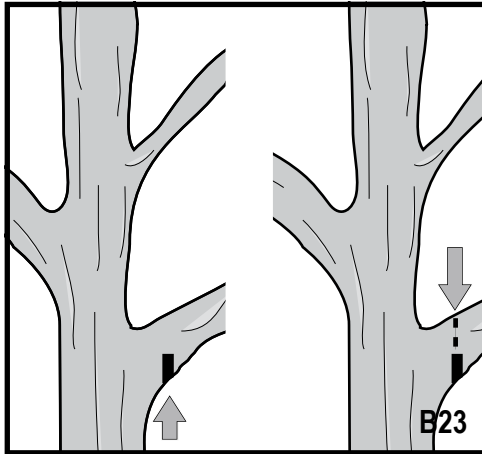
B21



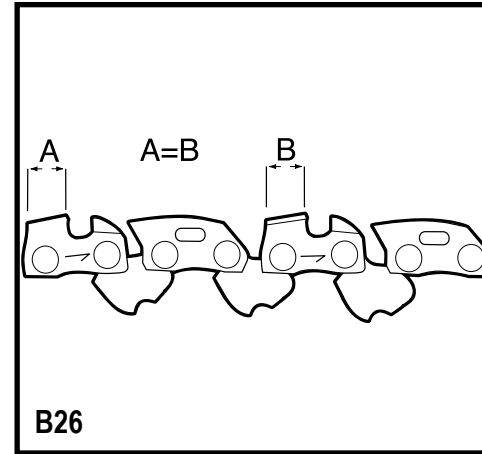
B25



B22



B23



B26

### Intended use

Your BLACK+DECKER BCASK61D SEASONMASTER™ 2-in-1 cordless multi tool system, has been designed for pruning and felling trees and cutting logs. This tool is intended for consumer use only.

### Safety instructions

#### General power tool safety warnings



**Warning! Read all safety warnings and all instructions.** Failure to follow the warnings and instructions listed below may result in electric shock, fire and/or serious injury.

**Save all warnings and instructions for future reference.** The term "power tool" in all of the warnings listed below refers to your mains operated (corded) power tool or battery operated (cordless) power tool.

1. **Work area safety**
  - a. **Keep work area clean and well lit.** Cluttered or dark areas invite accidents.
  - b. **Do not operate power tools in explosive atmospheres, such as in the presence of flammable liquids, gases or dust.** Power tools create sparks which may ignite the dust or fumes.
  - c. **Keep children and bystanders away while operating a power tool.** Distractions can cause you to lose control.
2. **Electrical safety**
  - a. **Power tool plugs must match the outlet. Never modify the plug in any way. Do not use any adapter plugs with earthed (grounded) power tools.** Unmodified plugs and matching outlets will reduce risk of electric shock.
  - b. **Avoid body contact with earthed or grounded surfaces such as pipes, radiators, ranges and refrigerators.** There is an increased risk of electric shock if your body is earthed or grounded.
  - c. **Do not expose power tools to rain or wet conditions.** Water entering a power tool will increase the risk of electric shock.
  - d. **Do not abuse the cord. Never use the cord for carrying, pulling or unplugging the power tool. Keep cord away from heat, oil, sharp edges or moving parts.** Damaged or entangled cords increase the risk of electric shock.
  - e. **When operating a power tool outdoors, use an extension cord suitable for outdoor use.** Use of a cord suitable for outdoor use reduces the risk of electric shock.
  - f. **If operating a power tool in a damp location is unavoidable, use a residual current device (RCD) protected supply.** Use of an RCD reduces the risk of electric shock.



3. **Personal safety**
- Stay alert, watch what you are doing and use common sense when operating a power tool. Do not use a power tool while you are tired or under the influence of drugs, alcohol or medication.** A moment of inattention while operating power tools may result in serious personal injury.
  - Use personal protective equipment. Always wear eye protection.** Protective equipment such as dust mask, non-skid safety shoes, hard hat, or hearing protection used for appropriate conditions will reduce personal injuries.
  - Prevent unintentional starting. Ensure the switch is in the off-position before connecting to power source and/or battery pack, picking up or carrying the tool.** Carrying power tools with your finger on the switch or energising power tools that have the switch on invites accidents.
  - Remove any adjusting key or wrench before turning the power tool on.** A wrench or a key left attached to a rotating part of the power tool may result in personal injury.
  - Do not overreach. Keep proper footing and balance at all times.** This enables better control of the power tool in unexpected situations.
  - Dress properly. Do not wear loose clothing or jewellery. Keep your hair, clothing and gloves away from moving parts.** Loose clothes, jewellery or long hair can be caught in moving parts.
  - If devices are provided for the connection of dust extraction and collection facilities, ensure these are connected and properly used.** Use of dust collection can reduce dust-related hazards.
  - Do not let familiarity gained from frequent use of tools allow you to become complacent and ignore tool safety principles.** A careless action can cause severe injury within a fraction of a second.
4. **Power tool use and care**
- Do not force the power tool. Use the correct power tool for your application.** The correct power tool will do the job better and safer at the rate for which it was designed.
  - Do not use the power tool if the switch does not turn it on and off.** Any power tool that cannot be controlled with the switch is dangerous and must be repaired.
  - Disconnect the plug from the power source and/or the battery pack from the power tool before making any adjustments, changing accessories, or storing power tools.** Such preventive safety measures reduce the risk of starting the power tool accidentally.
  - Store idle power tools out of the reach of children and do not allow persons unfamiliar with the power tool or**

these instructions to operate the power tool. Power tools are dangerous in the hands of untrained users.

- Maintain power tools. Check for misalignment or binding of moving parts, breakage of parts and any other condition that may affect the power tools operation. If damaged, have the power tool repaired before use.** Many accidents are caused by poorly maintained power tools.
  - Keep cutting tools sharp and clean.** Properly maintained cutting tools with sharp cutting edges are less likely to bind and are easier to control.
  - Use the power tool, accessories and tool bits etc. in accordance with these instructions, taking into account the working conditions and the work to be performed.** Use of the power tool for operations different from those intended could result in a hazardous situation.
  - Keep handles and grasping surfaces dry, clean and free from oil and grease.** Slippery handles and grasping surfaces do not allow for safe handling and control of the tool in unexpected situations.
5. **Battery tool use and care**
- Recharge only with the charger specified by the manufacturer.** A charger that is suitable for one type of battery pack may create a risk of fire when used with another battery pack.
  - Use power tools only with specifically designated battery packs.** Use of any other battery packs may create a risk of injury and fire.
  - When battery pack is not in use, keep it away from other metal objects, like paper clips, coins, keys, nails, screws, or other small metal objects, that can make a connection from one terminal to another.** Shorting the battery terminals together may cause burns or a fire.
  - Under abusive conditions, liquid may be ejected from the battery; avoid contact. If contact accidentally occurs, flush with water. If liquid contacts eyes, additionally seek medical help.** Liquid ejected from the battery may cause irritation or burns.
  - Do not use a battery pack or tool that is damaged or modified.** Damaged or modified batteries may exhibit unpredictable behaviour resulting in fire, explosion or risk of injury.
  - Do not expose a battery pack or tool to fire or excessive temperature.** Exposure to fire or temperature above 130 °C may cause explosion.
  - Follow all charging instructions and do not charge the battery pack or tool outside the temperature range specified in the instructions.** Charging improperly or at temperatures outside the specified range may damage the battery and increase the risk of fire.

## 6. Service

- Have your power tool serviced by a qualified repair person using only identical replacement parts.** This will ensure that the safety of the power tool is maintained.
- Never service damaged battery packs.** Service of battery packs should only be performed by the manufacturer or authorised service providers.

## Additional power tool safety warnings



**Warning!** Additional safety warnings for Chainsaws.

- ◆ **Keep all parts of the body away from the saw chain when the chainsaw is operating. Before you start the chainsaw, make sure the saw chain is not contacting anything.** A moment of inattention while operating chain saws may cause entanglement of your clothing or body with the chain saw.
- ◆ **Always hold the chainsaw with your right hand on the rear handle and your left hand on the front handle.** Holding the chainsaw with a reversed hand configuration increases the risk of personal injury and should never be done.
- ◆ **Hold the power tool by insulated gripping surfaces only, because the saw chain may contact hidden wiring.** Saw chains contacting a "live" wire may make exposed metal parts of the power tool "live" and could give the operator an electric shock.
- ◆ **Wear safety glasses and hearing protection. Further protective equipment for head, hands, legs and feet is recommended.** Adequate protective clothing will reduce personal injury by flying debris or accidental contact with the saw chain.
- ◆ **Do not operate a chainsaw in a tree.** Operation of a chainsaw while up in a tree may result in personal injury.
- ◆ **Always keep proper footing and operate the chain saw only when standing on fixed, secure and level surface.** Slippery or unstable surfaces such as ladders may cause a loss of balance or control of the chainsaw.
- ◆ **When cutting a limb that is under tension be alert for spring back.** When the tension in the wood fibres is released the spring loaded limb may strike the operator and/or throw the chain saw out of control.
- ◆ **Use extreme caution when cutting brush and saplings.** The slender material may catch the saw chain and be whipped toward you or pull you off balance.
- ◆ **Carry the chain saw by the front handle with the chain saw switched off and away from your body. When transporting or storing the chainsaw always fit the guide bar cover.** Proper handling of the chain saw will reduce the likelihood of accidental contact with the moving saw chain.

- ◆ **Follow instructions for lubricating, chain tensioning and changing accessories.** Improperly tensioned or lubricated chain may either break or increase the chance for kickback
- ◆ **Keep handles dry, clean, and free from oil and grease.** Greasy, oily handles are slippery causing loss of control.
- ◆ **Cut wood only. Do not use chainsaw for purposes not intended.** For example: do not use the chainsaw for cutting plastic, masonry or non-wood building materials. Use of the chainsaw for operations different than intended could result in a hazardous situation.

## Causes and operator prevention of kickback

Kickback may occur when the nose or tip of the guide bar touches an object, or when the wood closes in and pinches the saw chain in the cut. Tip contact in some cases may cause a sudden reverse reaction, kicking the guide bar up and back towards the operator. Pinching the saw chain along the top of the guide bar may push the guide bar rapidly back towards the operator. Either of these reactions may cause you to lose control of the chainsaw which could result in serious personal injury. Do not rely exclusively upon the safety devices built into your chainsaw. As a chainsaw user, you should take several steps to keep your cutting jobs free from accident or injury. Kickback is the result of tool misuse and / or incorrect operating procedures or conditions and can be avoided by taking proper precautions as given below:

- ◆ **Maintain a firm grip, with thumbs and fingers encircling the chainsaw handles. With both hands on the chainsaw, position your body and arm to allow you to resist kickback forces.** Kickback forces can be controlled by the operator, if proper precautions are taken. Do not let go of the chainsaw.
- ◆ **Do not overreach and do not cut above shoulder height.** This helps prevent unintended tip contact and enables better control of the chainsaw in unexpected situations.
- ◆ **Only use replacement guide bars and chains specified by the manufacturer.** Incorrect replacement guide bars and chains may cause chain breakage and/ or kickback.
- ◆ **Follow the manufacturer's sharpening and maintenance instructions for the saw chain.** Decreasing the depth gauge height can lead to increased kickback.
- ◆ **Striking metal, cement or any other hard material near the wood, or buried in the wood can cause kickback.**
- ◆ **A dull or loose chain can cause kickback.**
- ◆ **Do not try to insert into a previous cut, as this could cause kickback.** Make a fresh cut every time.
- ◆ **We strongly recommend that first time users obtain practical instruction in the use of the chainsaw and protective equipment from an experienced user.** Initial

practice should be completed sawing logs on a saw horse or cradle.

- ◆ **We recommend that when carrying the chainsaw that you remove the battery and make sure that the saw chain is facing backwards.**
- ◆ **Maintain your chainsaw when not in use. Do not store your chainsaw for any length of time without first removing the saw chain and guide bar which should be kept immersed in oil.** Store all parts of your chainsaw in a dry, secure place out of reach of children.
- ◆ **We recommend you drain the oil reservoir prior to storage.**
- ◆ **Be sure of your footing and pre-plan a safe exit from a falling tree or branches.**
- ◆ **Use wedges to help control felling and prevent binding the guide bar and saw chain in the cut.**
- ◆ **Saw chain care. Keep the saw chain sharp and snug on the guide bar. Ensure the saw chain and guide bar are clean and well oiled.** Keep handles dry, clean and free from oil and grease.
- ◆ **Ensure someone is nearby (but at a safe distance) in case of an accident.**
- ◆ **If for any reason you have to touch the saw chain, make sure your chainsaw is disconnected from the battery.**
- ◆ **The noise from this product can exceed 85 dB(A).** We therefore recommend you take appropriate measures for the protection of hearing.
- ◆ **When handling the product the chain bar may become hot.** Handle with care.
- ◆ **Keep extension cords away from cutting elements.**



**Warning!** Additional safety instructions for pole pruners

The intended use is described in this instruction manual. Do not use the tool for purposes not intended; for example do not use the tool to fell trees. The use of any accessory or attachment or performance of any operation with this tool other than those recommended in this instruction manual may present a risk of personal injury.

- ◆ **Hold power tool by insulated gripping surfaces when performing an operation where the cutting tool may contact hidden wiring or its own cord.** Contact with a "live" wire will also make exposed metal parts of the power tool "live" and give the operator an electric shock.
- ◆ Wear close fitting and protective clothing including a safety helmet with visor/goggles, ear protectors, non-skid safety footwear, protective bib trousers and strong leather gloves.
- ◆ Always position yourself out of the path of falling branches.

- ◆ The safe distance between a branch to be felled and bystanders, buildings and other objects is at least 2 1/2 times the length of the branch. Any bystander, building or object within this distance is at risk from being struck by the falling branch.
- ◆ Pre-plan a safe exit from falling branches. Ensure the exit route is clear of obstacles that would prevent or hinder movement. Remember wet grass and freshly cut bark is slippery.
- ◆ Ensure someone is nearby (but at a safe distance) in case of an accident.
- ◆ Do not use the tool while standing in a tree, on a ladder or on any other unstable surface.
- ◆ Keep proper footing and balance at all times.
- ◆ Hold the tool firmly with both hands when the motor is running.
- ◆ Do not let the moving chain contact any object at the tip of the guide bar.
- ◆ Start cutting only with the chain moving at full speed.
- ◆ Do not attempt to enter a previous cut. Always make a fresh cut.
- ◆ Watch for shifting branches or other forces that could close a cut and pinch or fall into the chain.
- ◆ Do not attempt to cut a branch when the diameter of the branch exceeds the cutting length of the tool.
- ◆ Always remove the battery from the tool and place the chain cover assembly over the chain when storing or transporting the tool.
- ◆ Keep the saw chain sharp and properly tensioned. Check the tension at regular intervals.
- ◆ Switch the tool off, allow the chain to stop and remove the battery from the tool before carrying out any adjustment, servicing or maintenance.
- ◆ Only use genuine replacement parts and accessories.
- ◆ Carry the pole pruner by the handle with the cutter blade stopped. When transporting or storing the pole pruner always fit the cutting device cover and dismantle it into its component parts. Proper handling of the pole pruner will reduce possible personal injury and injury to others.

#### Safety of others

- ◆ This tool is not intended for use by persons (including children) with reduced physical, sensory or mental capabilities, or lack of experience and knowledge, unless they have been given supervision or instruction concerning use of the tool by a person responsible for their safety.
- ◆ Children should be supervised to ensure that they do not play with the appliance.

#### Residual risks

Additional residual risks may arise when using the tool which may not be included in the enclosed safety warnings. These risks can arise from misuse, prolonged use etc.

Even with the application of the relevant safety regulations and the implementation of safety devices, certain residual risks can not be avoided. These include:

- ◆ Injuries caused by touching any rotating/moving parts.
- ◆ Injuries caused when changing any parts, blades or accessories.
- ◆ Injuries caused by prolonged use of a tool. When using any tool for prolonged periods ensure you take regular breaks.
- ◆ Impairment of hearing.
- ◆ Health hazards caused by breathing dust developed when using your tool (example:- working with wood, especially oak, beech and MDF.)

#### Vibration

The declared vibration emission values stated in the technical data and the declaration of conformity have been measured in accordance with a standard test method provided by EN 60745 and may be used for comparing one tool with another. The declared vibration emission value may also be used in a preliminary assessment of exposure.

**Warning!** The vibration emission value during actual use of the power tool can differ from the declared value depending on the ways in which the tool is used. The vibration level may increase above the level stated.

When assessing vibration exposure to determine safety measures required by 2002/44/EC to protect persons regularly using power tools in employment, an estimation of vibration exposure should consider, the actual conditions of use and the way the tool is used, including taking account of all parts of the operating cycle such as the times when the tool is switched off and when it is running idle in addition to the trigger time.

#### Labels on tool

The following pictograms are shown on the tool along with the date code:



**Warning!** To reduce the risk of injury, the user must read the instruction manual.



Wear ear and eye protection



Wear gloves



Wear hat



Always remove the battery from the appliance before performing any cleaning or maintenance .



Do not expose the appliance to rain or high humidity.



Wear non-slip footwear.



Beware of falling objects.



Electrocution hazard. Keep at least 10m away from overhead lines.



To ensure continued safe operation, check the chain tension as described in this manual after every 10 minutes of use, and adjust back to a clearance of 3 mm as required. Oil the chain after every 10 minutes of use.



Direction of rotation of chain



**Warning!** Do not touch chain at the chip ejection point.



Directive 2000/14/EC guaranteed sound power.

#### Additional safety instructions for batteries and chargers

##### Batteries

- ◆ Never attempt to open for any reason.
- ◆ Do not expose the battery to water.
- ◆ Do not store in locations where the temperature may exceed 40 °C.
- ◆ Charge only at ambient temperatures between 10 °C and 40 °C.
- ◆ Charge only using the charger provided with the tool.
- ◆ When disposing of batteries, follow the instructions given in the section "Protecting the environment".



Do not attempt to charge damaged batteries.

##### Chargers

- ◆ Use your BLACK+DECKER charger only to charge the battery in the tool with which it was supplied. Other batteries could burst, causing personal injury and damage.
- ◆ Never attempt to charge non-rechargeable batteries.
- ◆ Have defective cords replaced immediately.
- ◆ Do not expose the charger to water.
- ◆ Do not open the charger.
- ◆ Do not probe the charger.



The charger is intended for indoor use only.



Read the instruction manual before use.

### Electrical safety



Your charger is double insulated; therefore no earth wire is required. Always check that the mains voltage corresponds to the voltage on the rating plate. Never attempt to replace the charger unit with a regular mains plug.

- ◆ If the supply cord is damaged, it must be replaced by the manufacturer or an authorised BLACK+DECKER Service Centre in order to avoid a hazard.

### Features

This appliance includes some or all of the following features.

1. Power head
2. Main handle
3. Bail handle
4. On/off switch
5. Lock off switch
6. Chainsaw attachment
7. Chainsaw attachment release button
8. Kick back guard
9. Kick back guard release button
10. Guide bar
11. Saw chain
12. Guide bar cover
13. Extension pole
14. Pole grip
15. Extension pole release button
16. Battery

### Charging a battery (fig. A1)

BLACK+DECKER chargers are designed to charge BLACK+DECKER battery packs.

- ◆ Plug the charger (30) into an appropriate outlet before inserting a battery pack (29).
- ◆ Insert the battery pack (29) into the charger, making sure the battery pack is fully seated in the battery slots (Figure A1).



The LED (30a) will flash indicating that the battery is being charged.



The completion of charge is indicated by the LED remaining on continuously. The pack is fully charged and may be used at this time or left in the charger.

- ◆ Recharge discharged batteries as soon as possible after use or battery life may be greatly diminished. For longest battery life, do not discharge batteries fully. It is recommended that the batteries be recharged after each use.

### Charger diagnostics (fig. A2)

This charger is designed to detect certain problems that can arise with the battery packs or the power source. Problems are indicated by one LED flashing in different patterns.

#### Bad battery



The charger can detect a weak or damaged battery. The LED flashes in the pattern indicated on the label. If you see this bad battery blink pattern, do not continue to charge the battery. Return it to a service center or a collection site for recycling.

#### Hot/cold pack delay



When the charger detects a battery that is excessively hot or excessively cold, it automatically starts a Hot/Cold Pack Delay, suspending charging until the battery has normalized. After this happens, the charger automatically switches to the Pack Charging mode. This feature ensures maximum battery life. The light flashes in the pattern indicated on the label.

### Leaving the battery in the charger

The charger and battery pack can be left connected with the LED glowing indefinitely. The charger will keep the battery pack fresh and fully charged. This charger features an automatic tune-up mode which equals or balances the individual cells in the battery pack to allow it to function at peak capacity. Battery packs should be tuned up weekly or whenever the battery no longer delivers the same amount of work. To use the automatic tune-up mode, place the battery pack in the charger and leave it for at least 8 hours.

### Important charging notes

- ◆ Longest life and best performance can be obtained if the battery pack is charged when the air temperature is between 18 °C – 24 °C. DO NOT charge the battery pack in an air temperature below +4.5 °C, or above +40 °C. This is important and will prevent serious damage to the battery pack.
- ◆ The charger and battery pack may become warm to the touch while charging. This is a normal condition, and does not indicate a problem. To facilitate the cooling of the battery pack after use, avoid placing the charger or battery pack in a warm environment such as in a metal shed or an uninsulated trailer.

- ◆ If the battery pack does not charge properly:
  - ◆ Check operation of receptacle by plugging in a lamp or other appliance;
  - ◆ Check to see if receptacle is connected to a light switch which turns power off when you turn out the lights;
  - ◆ Move the charger and battery pack to a location where the surrounding air temperature is approximately 18 °C – 24 °C;
  - ◆ If charging problems persist, take the tool, battery pack and charger to your local service center.
- ◆ The battery pack should be recharged when it fails to produce sufficient power on jobs which were easily done previously. DO NOT CONTINUE to use under these conditions. Follow the charging procedure. You may also charge a partially used pack whenever you desire with no adverse effect on the battery pack.
- ◆ Foreign materials of a conductive nature such as, but not limited to, grinding dust, metal chips, steel wool, aluminum foil, or any buildup of metallic particles should be kept away from charger cavities. Unplug the charger before attempting to clean.
- ◆ Do not freeze or immerse the charger in water or any other liquid.

### Installing and Removing Attachments (fig. A4, A5)

- ◆ To fit an attachment or the extension pole to the base unit (1), align the attachment/pole base with the power head as shown in figure A4 and A5.
  - ◆ Firmly push the attachment or extension pole onto the base unit until it snaps into place and an audible click is heard.
- Note:** Attachments fit onto the extension pole in the same manner as the base unit.
- ◆ Ensure attachment is securely attached to the base unit or extension pole by gently pulling it away. The attachment or the extension pole should remain in place.
  - ◆ To remove an attachment or extension pole, depress the release button (7) or (22) located on the side of the attachment or extension pole and pull attachment or extension pole away from the base unit or extension pole.

**Note:** Only use attachments that are specifically designed for and are compatible with the power head.

### Correct hand position (fig. A6)

**Extended reach/Pole mode:** Correct hand position requires one hand on the main handle (2) and one hand on the Pole grip (21).

### Switching on (fig. A7)

- ◆ Push the lock off switch (5) down and squeeze the ON/OFF switch (4). Once the unit is running, you may release

the lock off switch. The more the ON/OFF switch (4) is depressed, the higher the speed of the base unit.

- ◆ In order to keep the unit running you must continue to squeeze the ON/OFF switch(4). To turn the unit off, release the ON/OFF switch (4).

### Using the chainsaw attachment

**Warning!** Before assembly, make sure that the tool is switched off and the battery is removed.

### Installing the Guide Bar and Saw Chain (fig. B1, B2, B3, B4, B5)

**Warning!** Sharp chain. Always wear protective gloves when handling the chain. The chain is sharp and can cut you when it is not running.

If the saw chain (14) and guide bar (10) are packed separately in the carton, the chain has to be attached to the bar, and both must be attached to the body of the tool.

- ◆ Place the saw on a flat, firm surface.
- ◆ Rotate the bar adjust locking knob (31a) counterclockwise as shown in figure B1 to remove sprocket cover (31).
- ◆ Wearing protective gloves, grasp the saw chain (14) and wrap it around the guide bar (10), ensuring the teeth are facing the correct direction (see figure B5)
- ◆ Ensure the chain is properly set in the slot around the entire guide bar.
- ◆ Place the saw chain around the sprocket (32) while lining up the slot on the guide bar with the bolt (33) in the base of the tool as shown in figure B2.
- ◆ The tensioning knob must be rotated counterclockwise till its stop. Arrows on the sprocket cover and tensioning knob must align before the cover is replaced. Once in place, hold the bar still, replace sprocket cover (31).
- ◆ Make sure tool-free tension assembly bolt hole on the cover lines up with the bolt (33) in the main housing as shown in figure B3.
- ◆ Rotate the bar adjust locking knob (31a) clockwise until snug, then loosen knob one full turn, so the saw chain can be properly tensioned.

**Note:** If the cover does not fit correctly, check that the tab for the tool free tensioner on the bar aligns with the slot on the inside of the sprocket cover.

- ◆ While holding the bar adjust locking knob (31a), rotate the chain tensioning knob (34) anti clockwise to increase tension as shown in figure B3. Make sure the saw chain (14) is snug around the guide bar (10).

### Adjusting Chain Tension (fig. B4, B5)

- ◆ With the saw on a flat, firm surface, check the saw chain (14) tension. The tension is correct when the chain snaps back after being pulled 3 mm away from the guide bar (10) with light force from the index finger and thumb as shown



- in figure B4. There should be no “sag” between the guide bar and the chain on the underside as shown in Figure B5.
- ◆ To adjust saw chain tension, loosen bar adjust locking knob (31a) one full turn and follow instructions for “Installing the Guide Bar and Saw Chain.”
  - ◆ Do not over-tension the chain as this will lead to excessive wear and will reduce the life of the bar and chain.
  - ◆ Once chain tension is correct, securely tighten bar adjust locking knob.
  - ◆ When the chain is new, check the tension frequently (after removing battery) during the first 2 hours of use as a new chain stretches slightly.

### Replacing the Saw Chain (fig. B6)

- ◆ Rotate the bar adjust locking knob (31a) counterclockwise to release chain tension.
- ◆ Remove sprocket cover (31) as described in “Installing the Guide Bar and Saw Chain” section.
- ◆ Lift the worn saw chain (14) out of the groove in the guide bar (10).
- ◆ Place the new chain in the slot of the guide bar, making sure the saw teeth are facing the correct direction by matching the arrow on the chain with the graphic on the sprocket cover (31) shown in figure B6.
- ◆ Follow instructions for “Installing the Guide Bar and Saw Chain.”
- ◆ Replacement chain and bar are available from your nearest BLACK+DECKER service center.

### Transporting Saw (fig. B7)

- ◆ Always remove the battery from the tool and cover the guide bar (10) with the guide bar cover (15) see figure B7, when transporting the saw.

### Installing and removing chainsaw attachments. (fig B8, A5)

- ◆ To fit an attachment or the extension pole to the base unit (1), align the attachment/pole base with the power head as shown in figure B8 and A5.
- ◆ Firmly push the attachment or extension pole onto the base unit until it snaps into place and an audible click is heard.

**Note:** Attachments fit onto the extension pole in the same manner as the base unit.

**Note:** Base mode, requires the guard (8) to be upright. Press the guard lock button (9) and lift the guard into position as shown in figure B9.

Pole mode, requires the kickback guard (8) to be in the stored position. Press the kickback guard release button (9) and lower the guard into position as shown in Fig. B9

- ◆ Ensure attachment is securely attached to the base unit or extension pole by gently pulling it away. The attachment or the extension pole should remain in place.

- ◆ To remove an attachment or extension pole, depress the release button (7) or (22) located on the side of the attachment or extension pole and pull attachment or extension pole away from the base unit or extension pole.
- Note:** Only use attachments that are specifically designed for and are compatible with the power head.

### Correct hand position (fig. B10, B11)

**Base mode:** Correct hand position requires one hand on the bail handle (3), with the other hand on the main handle (2).

**Pole mode:** Operate with the one hand on the main handle (2) and the other hand on the Pole grip (21).

### Switching on (fig. B10, B11)

- ◆ Push the lock off switch (5) down. Squeeze the bail handle (3) and then squeeze the ON/OFF switch (2). Once the unit is running, you may release the lock off switch. The more the ON/OFF is depressed, the higher the speed of the base unit.
- ◆ In order to keep the unit running you must continue to squeeze both the bail handle and the ON/OFF. To turn the unit off, release the ON/OFF switch or bail handle.

### Extended reach/Pole mode

- ◆ Push the lock off switch (5) down. Grip the Pole grip (21) and then squeeze the ON/OFF switch (2).
- ◆ Once the unit is running, you may release the lock off switch. The more the ON/OFF is depressed, the higher the speed of the base unit.
- ◆ In order to keep the unit running you must continue to squeeze the ON/OFF switch. To turn the unit off, release the ON/OFF switch.

**Note:** If too much force is applied while making a cut the saw will turn off. To restart saw, you must release the ON/OFF switch (1) before the saw will restart. Begin your cut again this time with less force. Allow the saw to cut at its own pace.

### Operation Base mode trimming / pruning

### Common cutting techniques (fig. B12, B13, B14, B15, B16, B17)

#### Felling

The process of cutting down a tree. Be sure battery is fully charged before felling a tree so you can finish on a single charge. Do not fell trees in high wind conditions.

- ◆ A retreat path should be planned and cleared as necessary before cuts are started. The retreat path should extend back and diagonally to the rear of the expected line of fall see figure B12.
- ◆ Before felling is started, consider the natural lean of the tree, the location of larger branches and the wind direction to judge which way the tree will fall. Have wedges (wood, plastic or aluminum) and a heavy mallet handy. Remove

dirt, stones, loose bark, nails, staples, and wire from the tree where the felling cuts are to be made.

- ◆ Notching Undercut - Make the notch 1/3 of the diameter of the tree, perpendicular to the direction of the fall. Make the lower horizontal notching cut first. This will help to avoid pinching of either the saw chain or the guide bar when the second notch cut is being made see figure B13.
- ◆ Felling Back Cut - Make the felling back cut at least 51 mm higher than the horizontal notching cut. Keep the felling back cut parallel to the horizontal notching cut. Make the felling back cut so enough wood is left to act as a hinge. The hinge wood keeps the tree from twisting and falling in the wrong direction. Do not cut through the hinge see figure B13.
- ◆ As the felling cut gets close to the hinge the tree should begin to fall. If there is any chance that the tree may not fall in the desired direction or it may rock back and bind the saw chain, stop cutting before the felling cut is complete and use wedges to open the cut and drop the tree along the desired line of fall. When the tree begins to fall remove the chain saw from the cut, stop the motor, put the chain saw down, then use the retreat path planned. Be alert for overhead limbs falling and watch your footing.

#### Limbing

Removing the branches from a fallen tree. When limbing, leave larger lower limbs to support the log off the ground. Remove the small limbs in one cut. Branches under tension should be cut from the bottom of the branch towards the top to avoid binding the chain saw as shown in figure B14. Trim limbs from opposite side keeping tree stem between you and saw. Never make cuts with saw between your legs or straddle the limb to be cut.

#### Bucking

**Warning!** Recommend that first time users should practice cutting on a saw horse.

Cutting a felled tree or log into lengths. How you should cut depends on how the log is supported. Use a saw horse see figure B15 whenever possible.

- ◆ Always start a cut with the chain running at full speed.
- ◆ Place the bottom spike of the chain saw behind the area of the initial cut as shown in figure B16.
- ◆ Turn the chain saw on then rotate the chain and bar down into the tree, using the spike as a hinge.
- ◆ Once the chain saw gets to a 45 degree angle, level the chain saw again and repeat steps until you cut fully through.
- ◆ When the tree is supported along its entire length, make a cut from the top (overbuck), but avoid cutting the earth as this will dull your saw quickly.

- ◆ Figure B17 - When supported at one end. First, cut 1/3 the diameter from the underside (underbuck). Then make the finishing cut by overbucking to meet the first cut.
- ◆ Figure B18 - When supported at both ends. First, cut 1/3 down from the top overbuck. Then make the finished cut by underbucking the lower 2/3 to meet the first cut.
- ◆ When on a slope always stand on the uphill side of the log. When “cutting through”, to maintain complete control reduce the cutting pressure near the end of the cut without relaxing your grip on the chain saw handles. Don’t let the chain contact the ground. After completing the cut, wait for the saw chain to stop before you move the chain saw. Always stop the motor before moving from cut to cut.

### Operation

#### Extended reach/Pole mode for trimming & pruning

**Warning!** Never stand directly under the limb you are cutting. Always position yourself out of the path of falling debris.

- ◆ Never stand on a ladder (fig. B19) or other unstable support while using the Pole Saw. Always avoid any position which can cause you to lose your balance and cause severe injury.
- ◆ Keep other persons at least 15m from the work area. Distractions can cause you to lose control (fig. B20).
- ◆ Electrocutation Hazard. To prevent shock, do not operate within 15m of overhead electrical lines. Always check surrounding area for hidden electrical lines (fig. B21).
- ◆ Do not extend Pole Saw switch handle above shoulder height.

### Operating position (fig. B22)

#### Always wear:

- Head protection.
- Eye protection.
- Work gloves.
- Strap.
- Chainsaw trousers.
- Steel toed shoes.

#### Warning! When pruning trees:

- ◆ Guard Against Kickback which can result in severe injury or death. See “KICKBACK”, section to avoid the risk of kickback.
- ◆ Do not overreach. Make sure your footing is firm. Keep feet apart. Divide your weight evenly on both feet.
- ◆ Use both hands to grip Pole Saw as shown in figure B22. Use a firm grip. Thumbs and fingers must wrap around Pole Saw handle and pole.
- ◆ Never operate while in a tree, in any awkward position, on a ladder or any other unstable surface. You may lose control of the Pole Saw causing severe injury.



### Trimming a tree (fig. B23)

- ◆ Make sure Pole Saw is running at full speed before making a cut. When starting a cut, place moving chain against limb. Hold Pole Saw firmly in place to avoid possible bouncing or skating (sideways movement) of the Pole Saw.
  - ◆ Make the first cut 150mm away from tree trunk on underside of a limb or branch. Use the top of the guide bar to make this cut.  
Guide the Pole Saw using light pressure to make a cut that is 1/3 of the diameter of limb. Then make the finishing cut from the top as shown in figure B23. Do not force Pole Saw. The motor will overload and can burn out. It will do the job better and safer at the rate for which it was intended.
- Note:** If you try to cut off thick branches from the bottom, the branch will close in and pinch the saw chain in the cut. If you try to cut off thick branches from the top, without a shallow undercut, the branch will splinter and pull bark from the tree.
- ◆ Remove Pole Saw from cut while it is running at full speed. Stop Pole Saw by releasing ON/OFF switch. Make sure chain has stopped before setting Pole Saw down.

### Chain and bar

After every few hours of use, remove the sprocket cover, guide bar and chain and clean thoroughly using a soft bristle brush. Ensure oiling hole on bar is clear of debris. When replacing dull chains with sharp chains it is good practice to flip the chain bar from bottom to top.

### Saw Chain Sharpening

**Note:** The cutters will dull immediately if they touch the ground or a nail while cutting. To get the best possible performance from your chain saw it is important to keep the teeth of the chain sharp. Follow these helpful tips for proper saw chain sharpening:

- ◆ For best results use a 4.5 mm file and a file holder or filing guide to sharpen your chain. This will ensure you always get the correct sharpening angles.
- ◆ Place the file holder flat on the top plate and depth gauge of the cutter.
- ◆ Figure B24- Keep the correct top plate (14a) filing angle line of 30° on your file guide parallel with your chain (file at 60° from chain viewed from the side).
- ◆ Sharpen cutters on one side of the chain first. File from the inside of each cutter to the outside. Then turn your saw around and repeat the processes for cutters on the other side of the chain.

**Note:** Use a flat file to file the tops of the rakers (portion of chain link in front of the cutter) so they are about 0.635 mm below the tips of the cutters as shown in figure B25.

- ◆ Figure B26 - Keep all cutter lengths equal.

- ◆ If damage is present on the chrome surface of the top plates or side plates, file back until such damage is removed.

**Note:** After filing, the cutter will be sharp, use extra caution during this process.

**Note:** Each time the chain is sharpened, it loses some of the low kickback qualities and extra caution should be used. It is recommended that a chain be sharpened no more than four times

### Troubleshooting

| Problem                                                     | Possible Cause                                                                                                             | Possible Solution                                                                                                             |
|-------------------------------------------------------------|----------------------------------------------------------------------------------------------------------------------------|-------------------------------------------------------------------------------------------------------------------------------|
| Unit will not start.                                        | Battery pack not installed properly.                                                                                       | Check battery pack installation                                                                                               |
|                                                             | Battery pack not charged.                                                                                                  | Check battery pack charging requirements.                                                                                     |
|                                                             | Internal components too hot.                                                                                               | Allow tool to cool down.                                                                                                      |
| Attachment or extension pole not attached to the base unit. | Attachment or extension pole not attached to the base unit.                                                                | Ensure attachment is properly seated and locked into position on the extension pole.                                          |
|                                                             |                                                                                                                            | Ensure extension pole is properly seated and locked into position on the base unit.                                           |
| Battery pack will not charge.                               | Battery pack not inserted into charger.                                                                                    | Insert battery pack into charger until LED illuminates.                                                                       |
|                                                             | Charger not plugged in.                                                                                                    | Plug charger into a working outlet. Refer to "Important charging notes" for more details.                                     |
|                                                             | Surrounding air temperature too hot or too cold                                                                            | Move charger and battery pack to a surrounding air temperature of above 40 degrees F (4,5°C) or below 105 degrees F (+40,5°C) |
| Unit shuts off abruptly.                                    | Battery pack has reached its maximum thermal limit.                                                                        | Allow battery pack to cool down.                                                                                              |
|                                                             | Out of charge. (To maximize the life of the battery pack it is designed to shut off abruptly when the charge is depleted.) | Place on charger and allow to charge.                                                                                         |

### Maintenance

Your BLACK+DECKER appliance has been designed to operate over a long period of time with a minimum of maintenance. Continuous satisfactory operation depends upon proper care and regular cleaning.

- ◆ Regularly clean the appliance using a damp cloth. Do not use any abrasive or solvent-based cleaner. Never let any liquid get inside the appliance and never immerse any part of the appliance into liquid.

### Protecting the environment



Separate collection. Products and batteries marked with this symbol must not be disposed of with normal household waste.

Products and batteries contain materials that can be recovered or recycled reducing the demand for raw materials. Please recycle electrical products and batteries according to local provisions.

Further information is available at [www.2helpU.com](http://www.2helpU.com)

### Technical data

| BCASK61D (H1)             |                 |                                      |
|---------------------------|-----------------|--------------------------------------|
| BCASCS61B (H1) - Chainsaw |                 |                                      |
| Input voltage             | V <sub>DC</sub> | 18                                   |
| No load speed             | m/s rpm         | Chain speed = 3.8<br>Sprocket = 2000 |
| Battery                   |                 | 90617054                             |
| Voltage                   | V <sub>DC</sub> | 18                                   |
| Capacity                  | Ah              | 2                                    |
| Type                      |                 | Li-Ion                               |
| Charger                   |                 | 90634971                             |
| Input Voltage             | V <sub>AC</sub> | 230                                  |
| Current                   | A               | 1                                    |
| Approx Charge Time        | min             | 120                                  |

| Level of sound pressure according to EN 60745:                                                                                                                                   |
|----------------------------------------------------------------------------------------------------------------------------------------------------------------------------------|
| Sound pressure for Chainsaw (L <sub>ps</sub> ) 83 dB(A), uncertainty (K) 3 dB(A)<br>acoustic power for Chainsaw (L <sub>wa</sub> ) 94 dB(A), uncertainty (K) 1,9 dB(A)           |
| Sound pressure for Pole pruner (L <sub>ps</sub> ) 82,5 dB(A), uncertainty (K) 4 dB(A)<br>acoustic power for Pole pruner (L <sub>wa</sub> ) 92,9 dB(A), uncertainty (K) 2,5 dB(A) |
| Vibration total values (triax vector sum) according to EN 60745:                                                                                                                 |
| Chain Saw (a <sub>v</sub> ) 2,3 m/s <sup>2</sup> , uncertainty (K) 1,5 m/s <sup>2</sup>                                                                                          |
| Pole Pruner (a <sub>v</sub> ) 2,5 m/s <sup>2</sup> , uncertainty (K) 1,5 m/s <sup>2</sup>                                                                                        |

### EC declaration of conformity MACHINERY DIRECTIVE OUTDOOR NOISE DIRECTIVE



BCASK61D SEASONMASTER™  
2-in-1 cordless multi tool system

Black & Decker declares that these products described under "technical data" are in compliance with:

chain saw: EN 60745-1:2009+A11:2010,  
EN 60745-2-13:2009+A1:2010,

pole-pruner: EN 60745-1:2009+A11:2010,  
EN ISO 11680-1:2011

These products also comply with Directive 2006/42/EC, 2014/30/EU and 2011/65/EU

2000/14/EC, chain saw, pole-pruner, Annex V  
Measured sound power level (L<sub>WA</sub>) 94 dB(A)  
Uncertainty (K) 1.9 dB(A)  
Guaranteed sound power (L<sub>WA</sub>) 96 dB(A)

For more information, please contact Black & Decker at the following address or refer to the back of the manual.

The undersigned is responsible for compilation of the technical file and makes this declaration on behalf of Black & Decker..

R. Laverick  
Director of Engineering  
Black & Decker Europe, 210 Bath Road, Slough,  
Berkshire, SL1 3YD  
United Kingdom  
19/04/2018

### Guarantee

Black & Decker is confident of the quality of its products and offers consumers a 24 month guarantee from the date of purchase. This guarantee is in addition to and in no way prejudices your statutory rights. The guarantee is valid within the territories of the Member States of the European Union and the European Free Trade Area.

To claim on the guarantee, the claim must be in accordance with Black & Decker Terms and Conditions and you will need to submit proof of purchase to the seller or an authorised repair agent. Terms and conditions of the Black & Decker 2 year guarantee and the location of your nearest authorised repair agent can be obtained on the Internet at [www.2helpU.com](http://www.2helpU.com), or by contacting your local Black & Decker office at the address indicated in this manual.

Please visit our website [www.blackanddecker.co.uk](http://www.blackanddecker.co.uk) to register your new Black & Decker product and receive updates on new products and special offers.



---

|                                                                                                           |                                                                                          |             |                                  |
|-----------------------------------------------------------------------------------------------------------|------------------------------------------------------------------------------------------|-------------|----------------------------------|
| <b>Australia</b>                                                                                          | Black & Decker (Australia) Pty. Ltd.<br>20 Fletcher Road, Mooroolbark,<br>Victoria, 3138 | Tel.<br>Fax | 03-8720 5100<br>03-9727 5940     |
| <b>New Zealand</b>                                                                                        | Black & Decker<br>5 Te Apunga Place<br>Mt Wellington<br>Auckland 1060                    | Tel.<br>Fax | +64 9 259 1133<br>+64 9 259 1122 |
| <b>United Kingdom &amp;<br/>Republic Of Ireland</b><br>www.blackanddecker.co.uk<br>emeaservice@sbdinc.com | Black & Decker<br>210 Bath Road<br>Slough, Berkshire SL1 3YD                             | Tel.<br>Fax | 01753 511234<br>01753 512365     |

---